



US00D564173S

(12) **United States Design Patent**
Phillips

(10) **Patent No.:** **US D564,173 S**

(45) **Date of Patent:** **** Mar. 11, 2008**

(54) **ORNAMENTAL HEAD FOR A CLEANING CART**

(75) Inventor: **Sandra Phillips**, La Habra Heights, CA (US)

(73) Assignee: **Inhomevations, a Limited Liability Company of the state of Utah**, Whittier, CA (US)

(**) Term: **14 Years**

(21) Appl. No.: **29/271,841**

(22) Filed: **Jan. 26, 2007**

Related U.S. Application Data

(63) Continuation-in-part of application No. 29/267,787, filed on Oct. 20, 2006.

(51) **LOC (8) Cl.** **12-02**

(52) **U.S. Cl.** **D34/27**

(58) **Field of Classification Search** D34/12-27; 414/448; 280/47.26, 47.24, 47.27
See application file for complete search history.

(56) **References Cited**

U.S. PATENT DOCUMENTS

- D230,142 S * 1/1974 Muellner D34/14
- 4,137,939 A * 2/1979 Chow 137/355.27
- D287,779 S * 1/1987 Slany D34/25
- 4,890,856 A * 1/1990 Mursch et al. 280/646
- D311,079 S * 10/1990 Blake D34/15
- D319,906 S * 9/1991 Takahashi et al. D34/19
- D321,773 S * 11/1991 Chiang D34/17
- 5,799,958 A * 9/1998 Bishop 280/47.26

- D470,871 S * 2/2003 Burger et al. D15/150
- D473,989 S * 4/2003 Hittle D34/18
- D480,194 S * 9/2003 Tsai D34/12
- D480,527 S * 10/2003 Kollen D34/21
- 2006/0006617 A1 * 1/2006 Udall et al. 280/47.24

* cited by examiner

Primary Examiner—Cynthia E Ramirez

(74) *Attorney, Agent, or Firm*—TraskBritt

(57) **CLAIM**

The ornamental design for an ornamental head for a cleaning cart, as shown and described.

DESCRIPTION

FIG. 1 is a frontal perspective view of an embodiment of a design for an ornamental head for a cleaning cart;

FIG. 2 is a front view of the ornamental head shown in FIG. 1;

FIG. 3 is a rear perspective view of the ornamental head shown in FIG. 1;

FIG. 4 is a rear view of the ornamental head shown in FIG. 1;

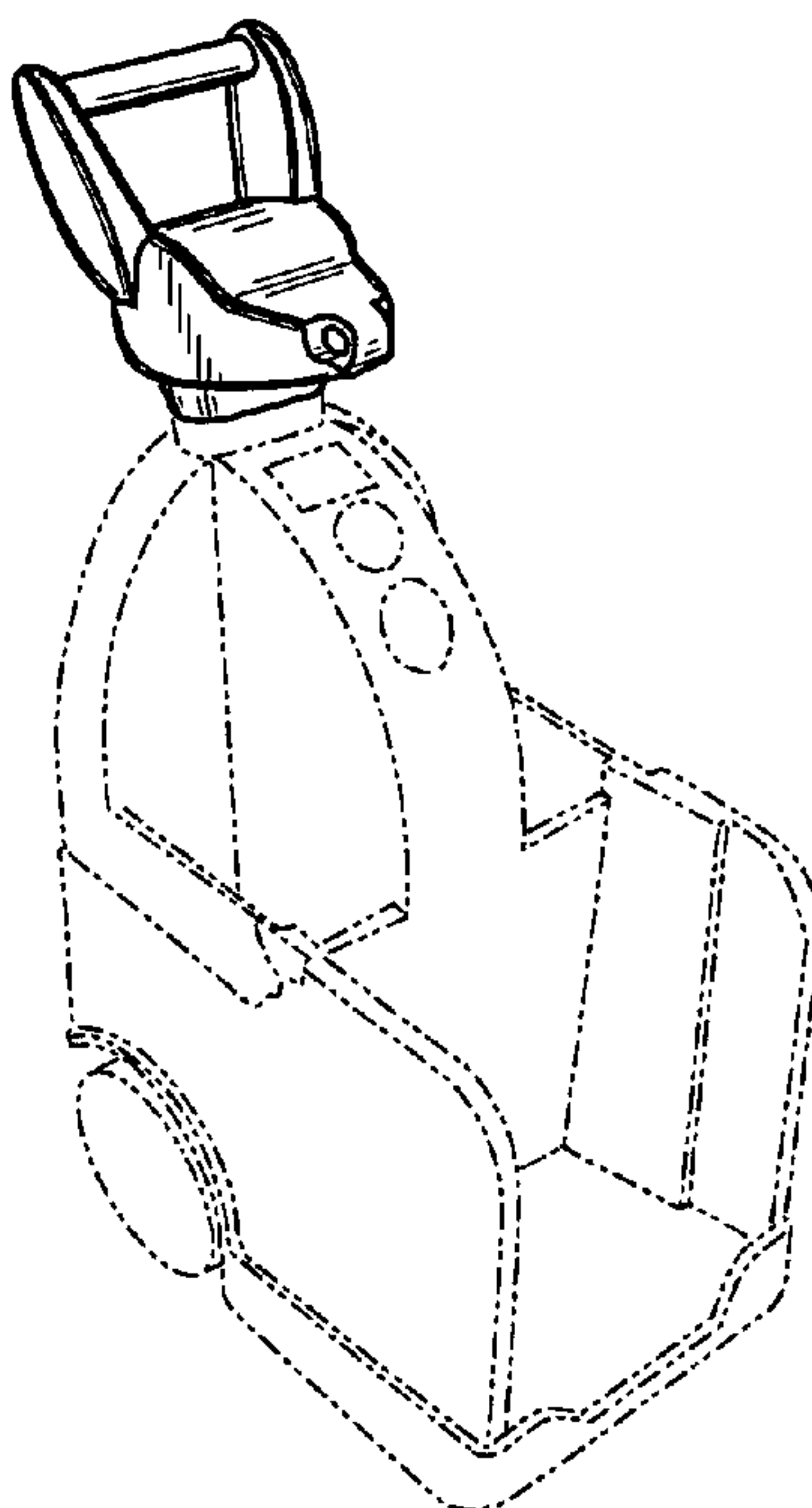
FIG. 5 is a first side view of the ornamental head shown in FIG. 1;

FIG. 6 is a second side view of the ornamental head shown in FIG. 1; and,

FIG. 7 is a top view of the cleaning cart shown in FIG. 1.

The broken line showing of the body of a cart is included for the purpose of illustrating environment and forms no part of the claimed design.

1 Claim, 3 Drawing Sheets



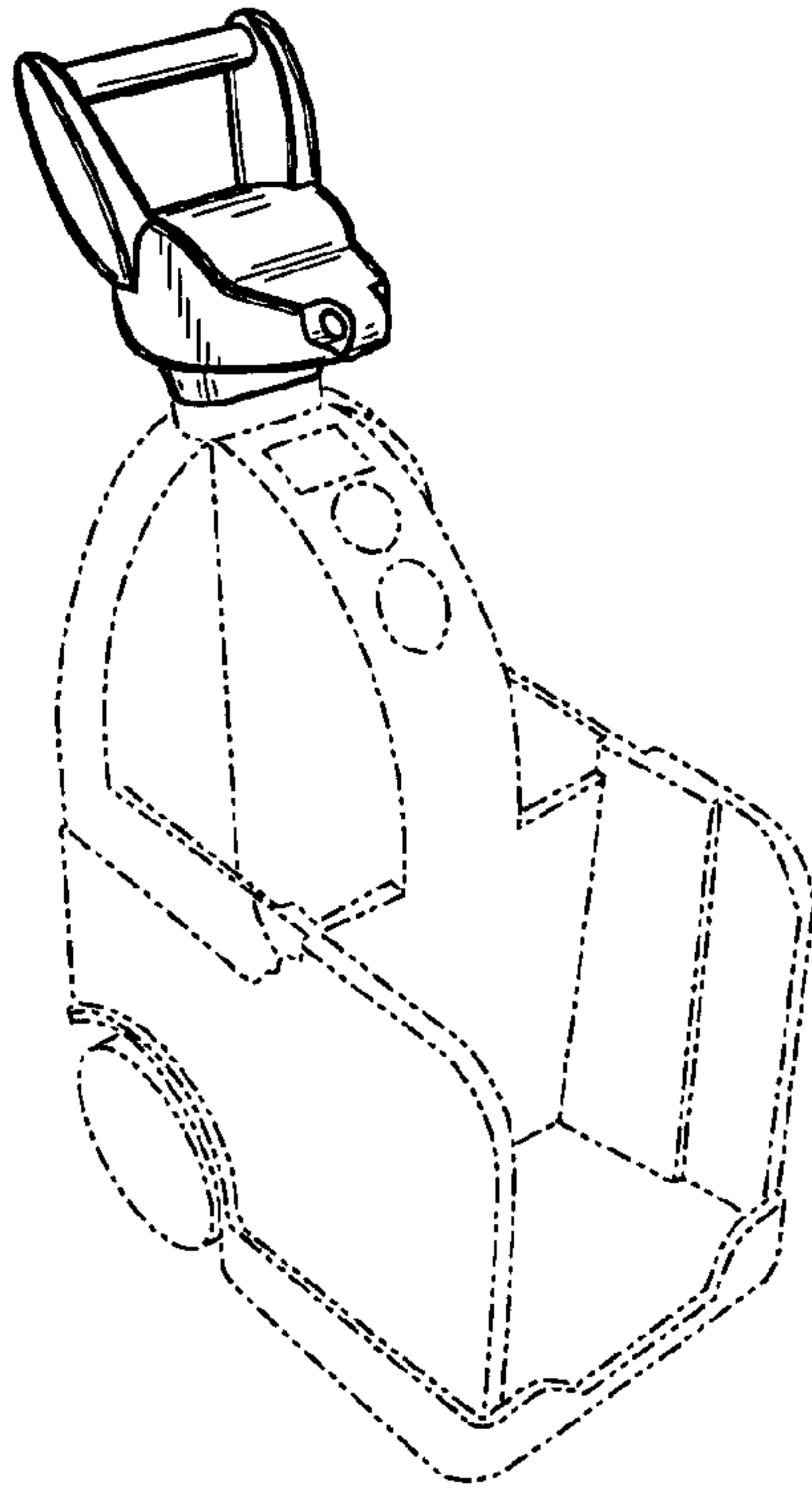


FIG. 1

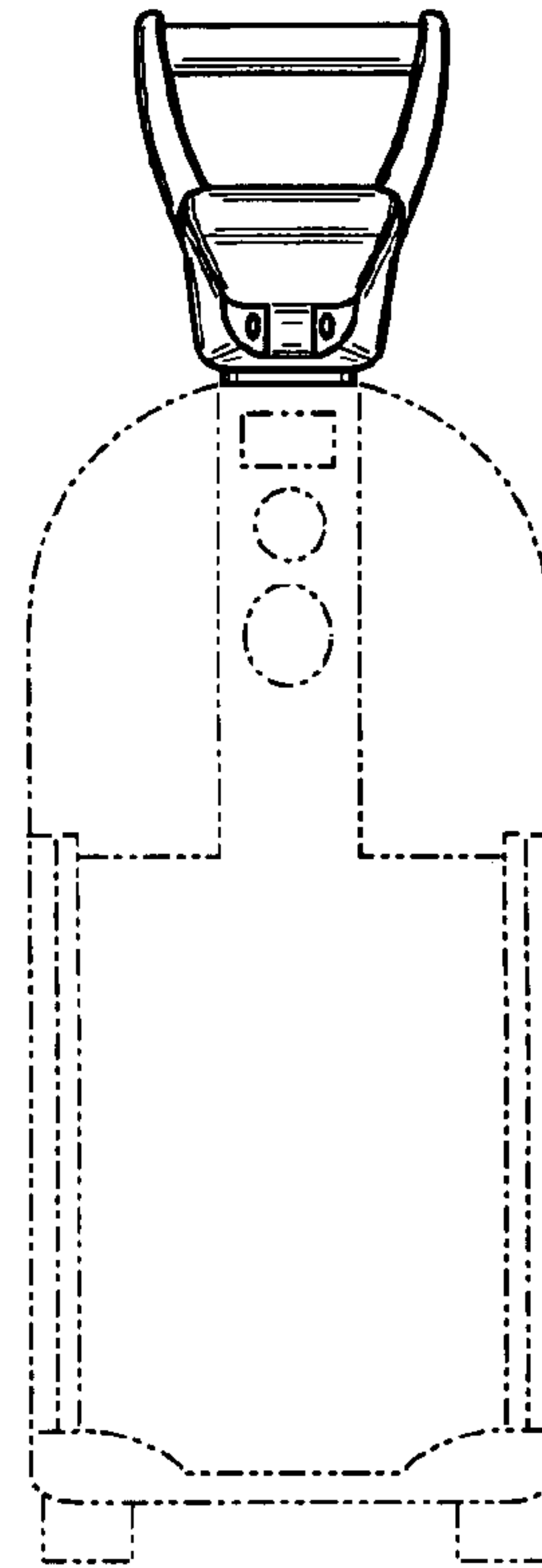


FIG. 2

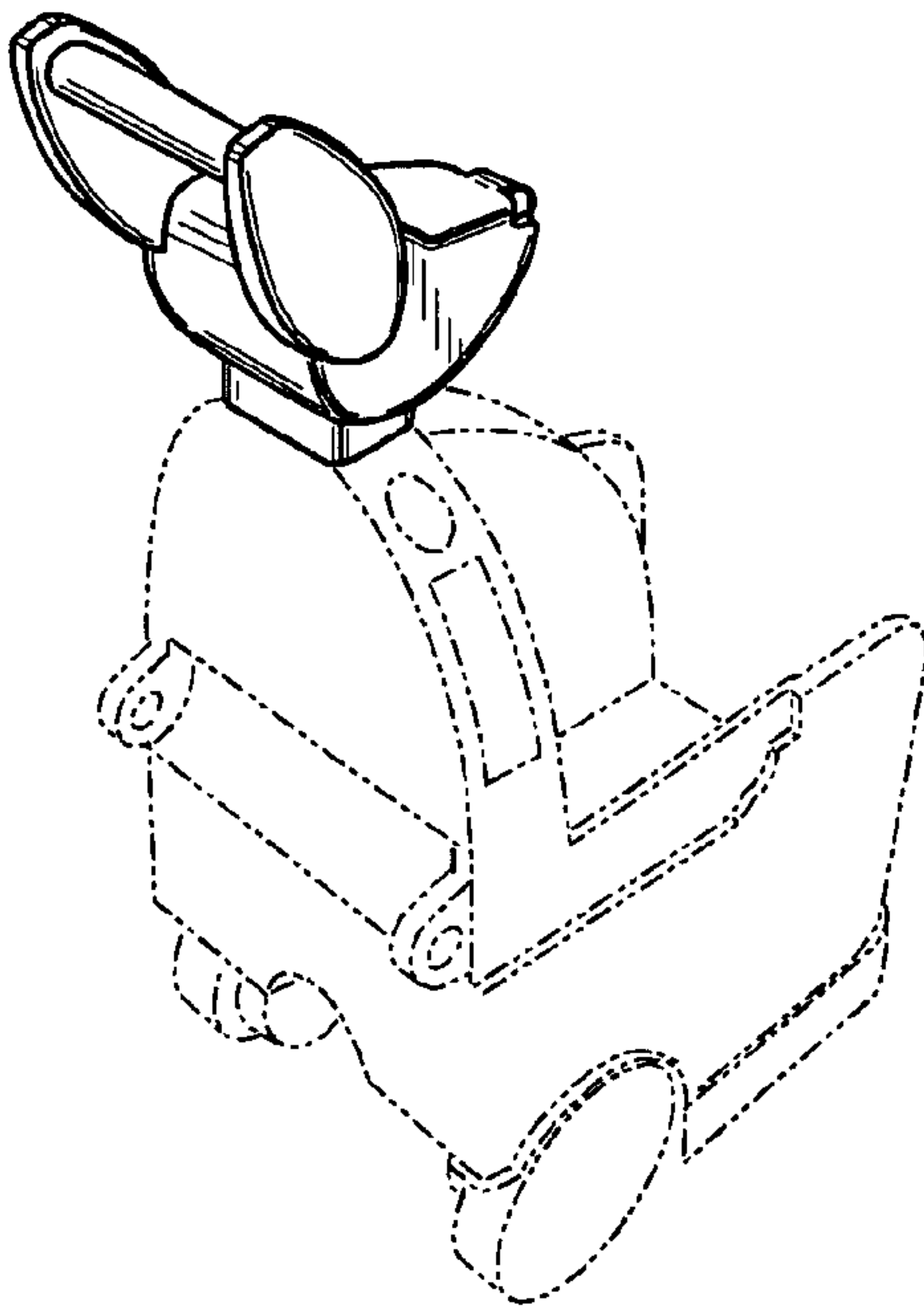


FIG. 3

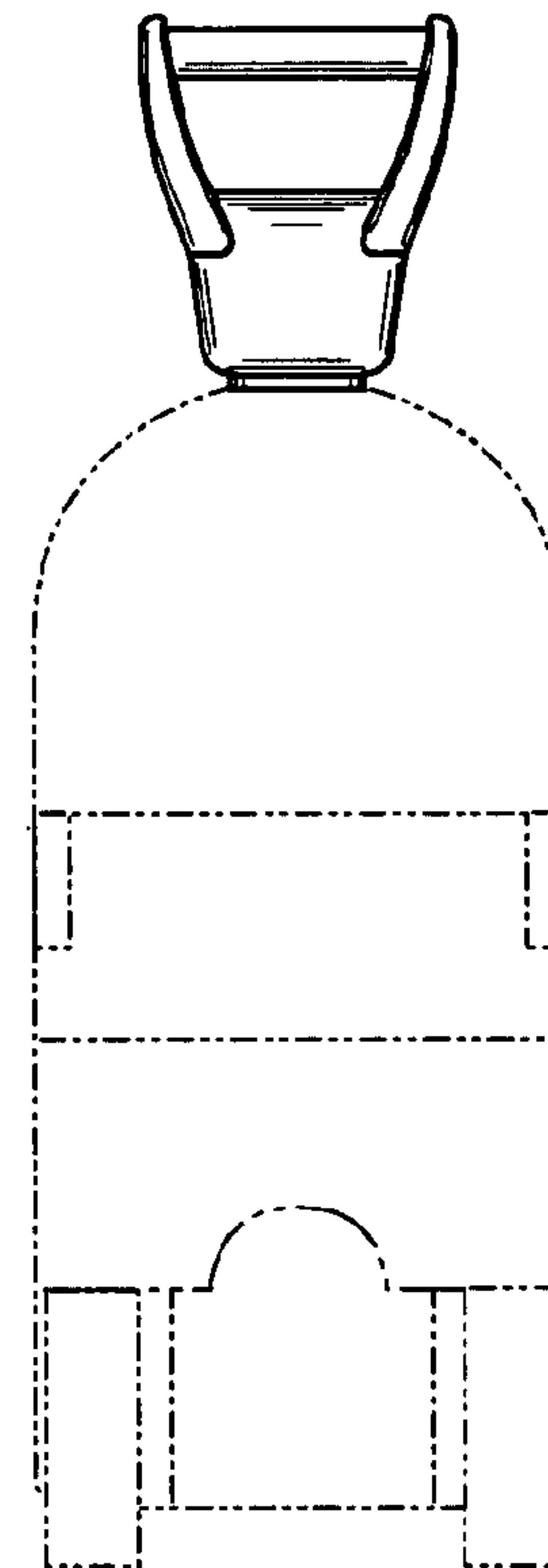


FIG. 4

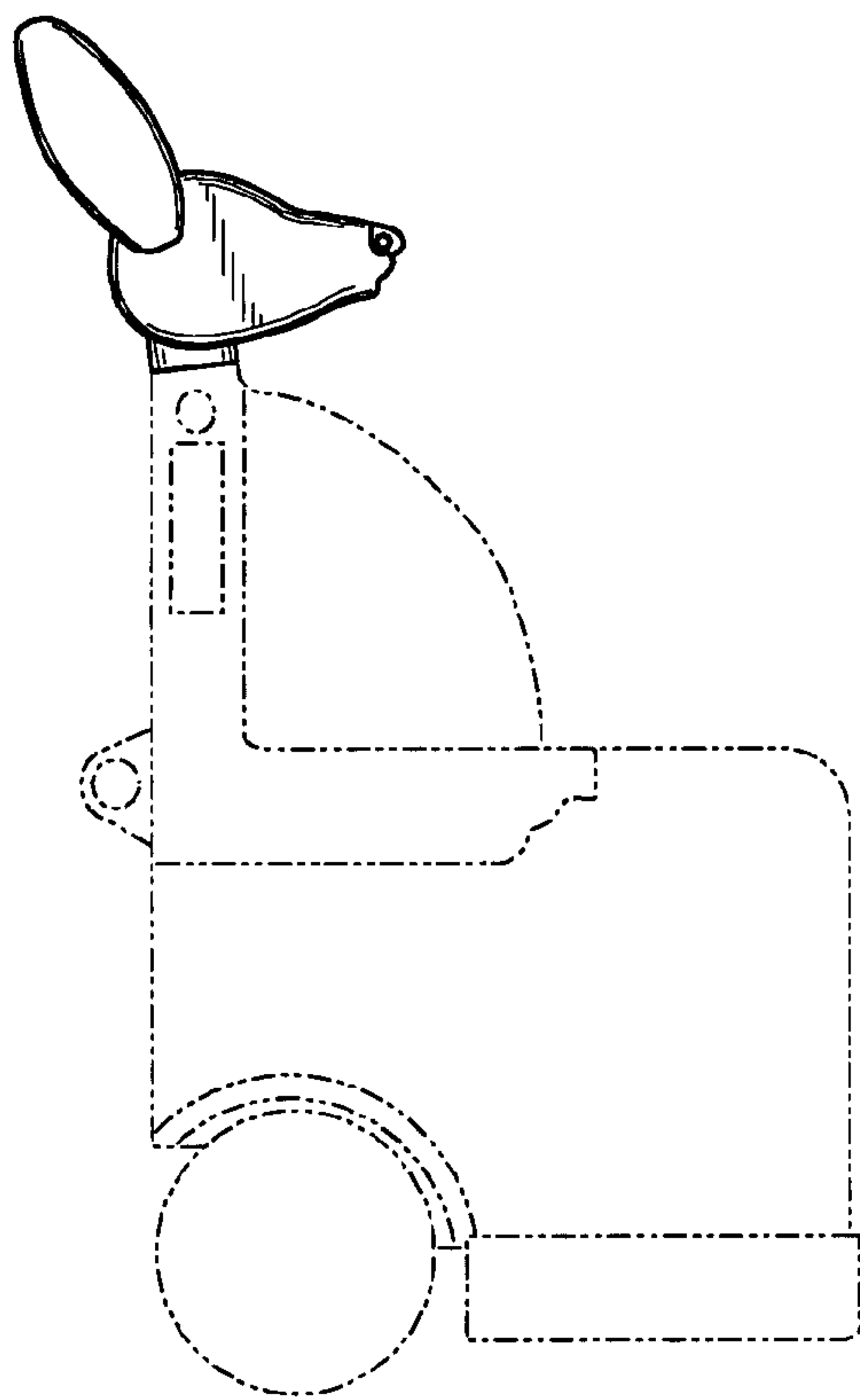


FIG. 5

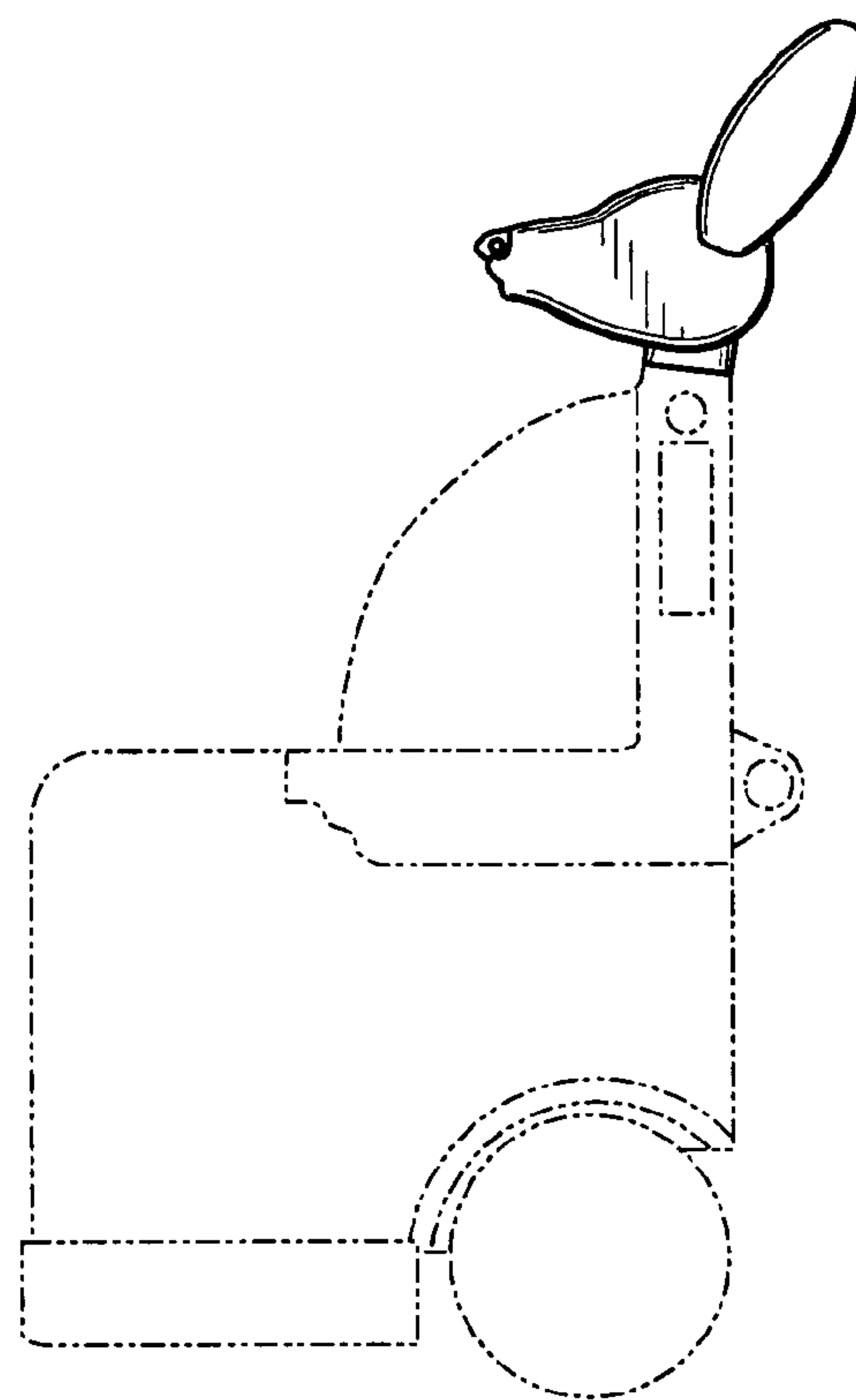


FIG. 6

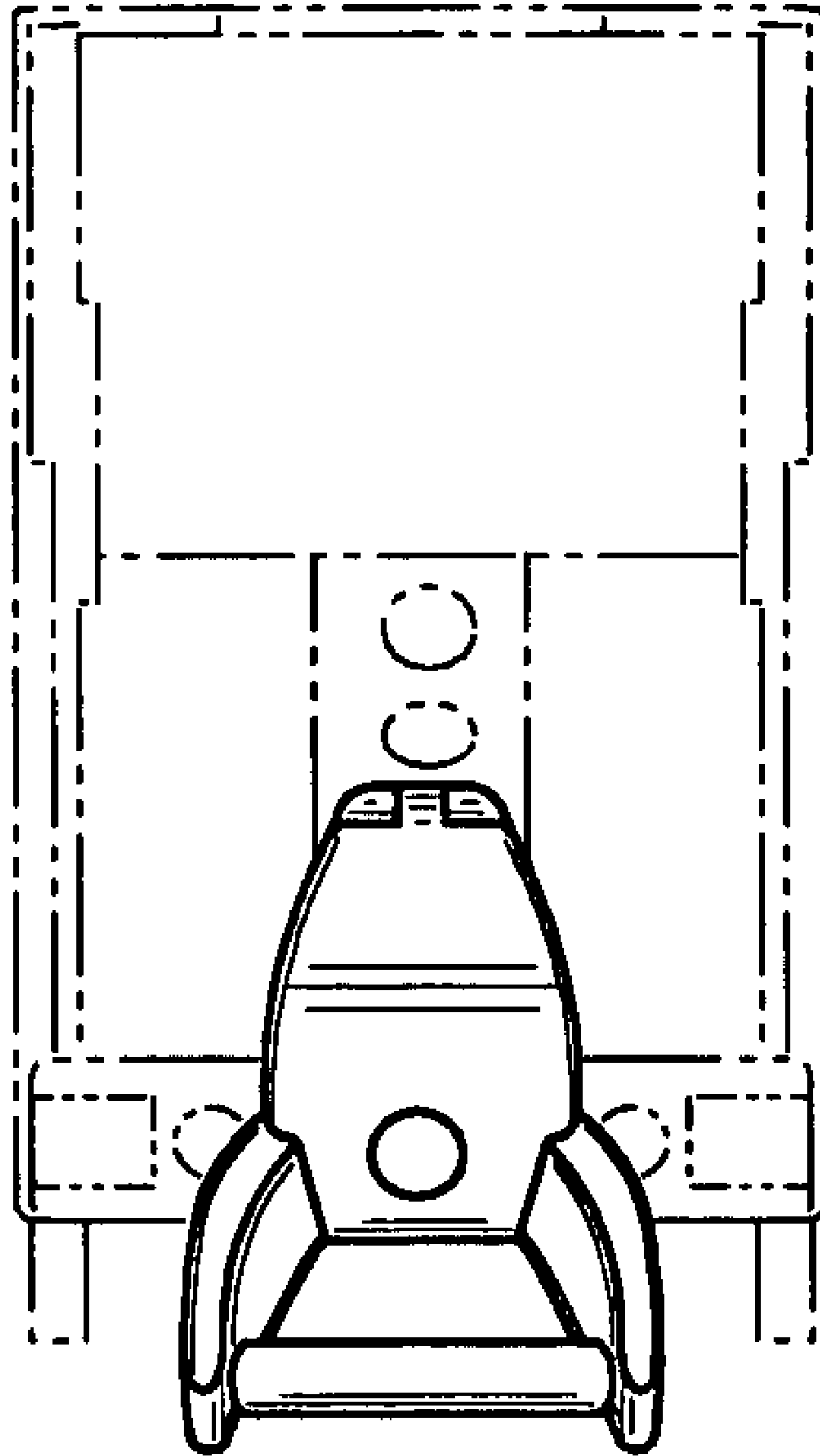


FIG. 7