



US00D564170S

(12) **United States Design Patent**
Chen

(10) **Patent No.:** **US D564,170 S**

(45) **Date of Patent:** **** Mar. 11, 2008**

(54) **GARBAGE BIN**

D540,996 S * 4/2007 Neuhaus D34/9
D546,523 S * 7/2007 Kao D34/9

(75) Inventor: **Jian Ping Chen**, Jiangmen (CN)

* cited by examiner

(73) Assignee: **Jiangmen Goodyear Appliances Mfg. Ltd.**, Jiangmen (CN)

Primary Examiner—Cynthia E Ramirez
(74) *Attorney, Agent, or Firm*—Rabin & Berdo, P.C.

(**) Term: **14 Years**

(57) **CLAIM**

(21) Appl. No.: **29/280,332**

The ornamental design for a garbage bin, as shown and described.

(22) Filed: **May 24, 2007**

(51) **LOC (8) Cl.** **09-09**

DESCRIPTION

(52) **U.S. Cl.** **D34/9**

(58) **Field of Classification Search** D34/1,
D34/7, 9; 220/908–913, 262–264
See application file for complete search history.

FIG. 1 is a perspective view of a garbage bin showing my new design;

FIG. 2 is a front view thereof;

FIG. 3 is a left side view thereof;

FIG. 4 is a right side view thereof;

FIG. 5 is a rear view thereof;

FIG. 6 is a top view thereof; and,

FIG. 7 is a bottom view thereof.

(56) **References Cited**

U.S. PATENT DOCUMENTS

D489,857 S * 5/2004 Yang et al. D34/9
D517,766 S * 3/2006 Lin D34/9
D533,704 S * 12/2006 Kao D34/9
D535,450 S * 1/2007 Chen D34/9
D538,000 S * 3/2007 Lin D34/9

1 Claim, 4 Drawing Sheets

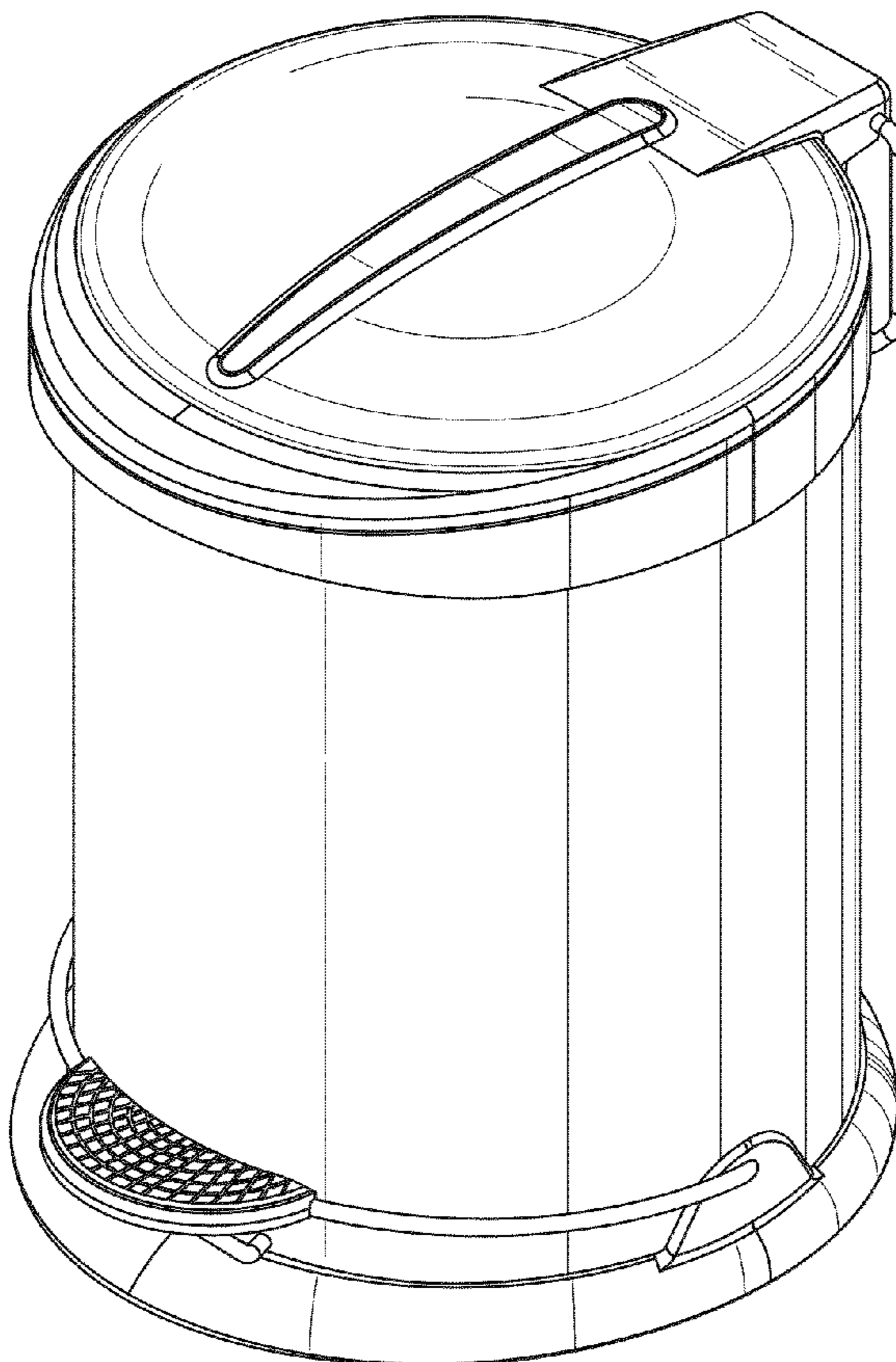
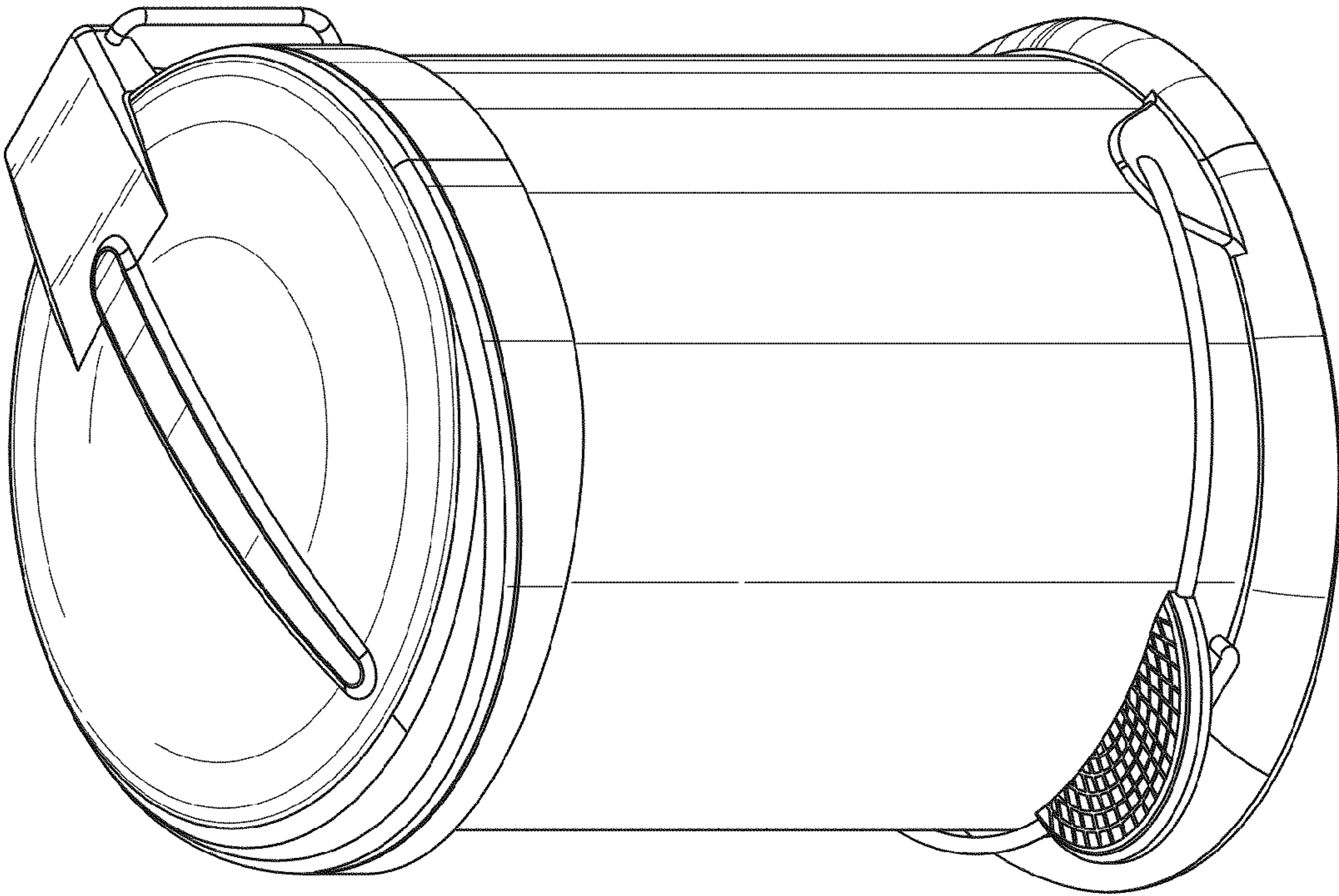


FIG. 1



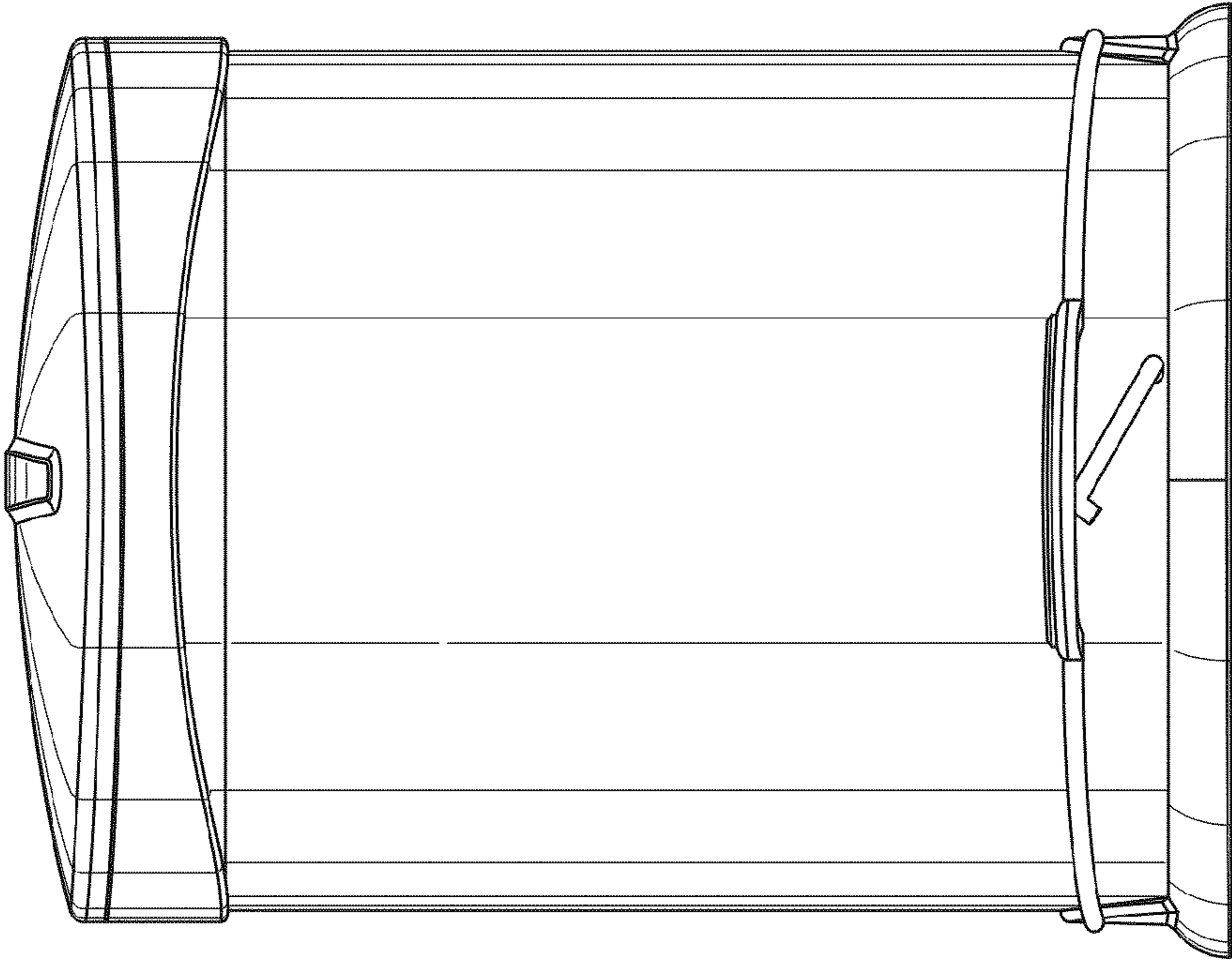


FIG. 2

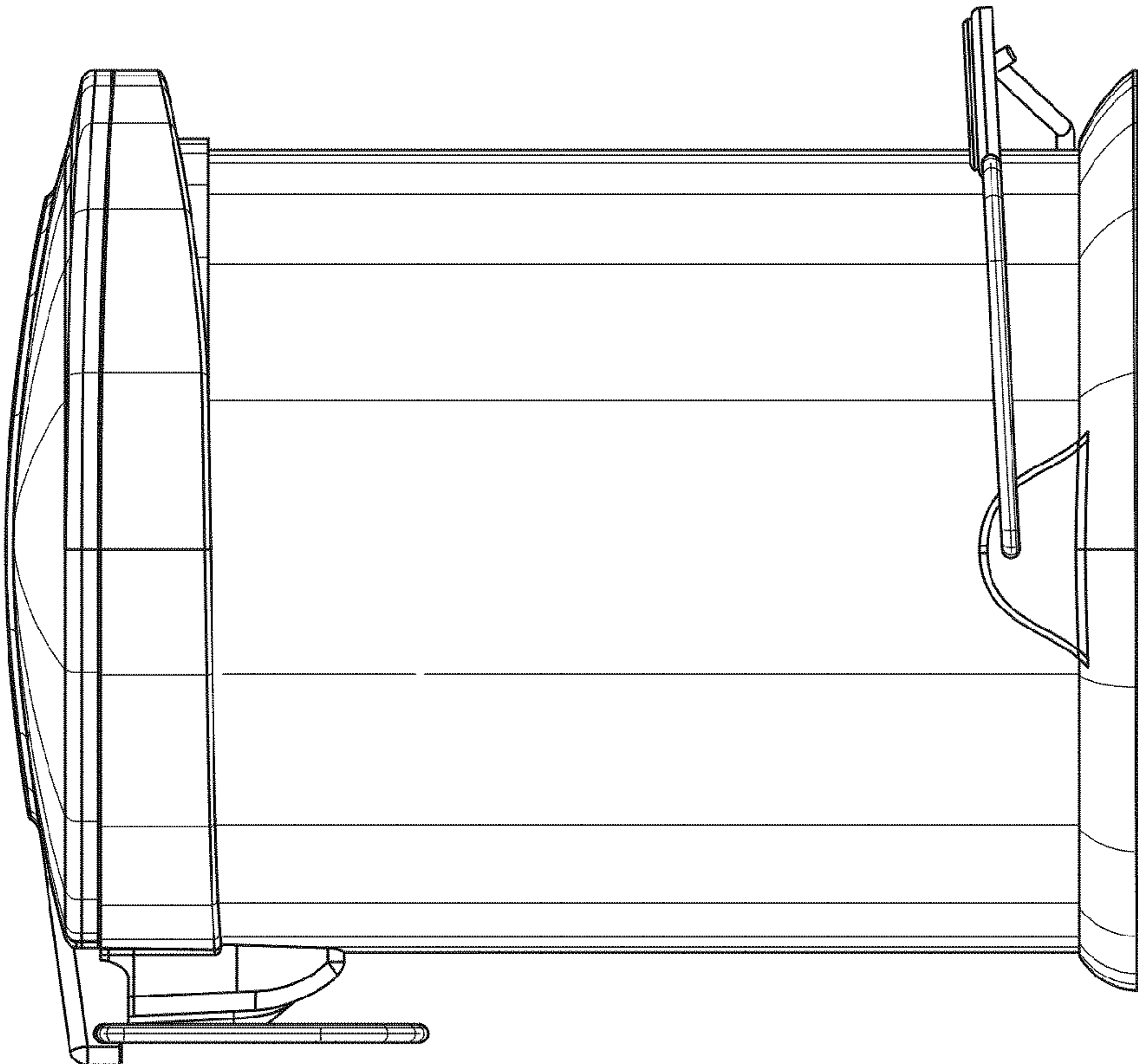


FIG. 3

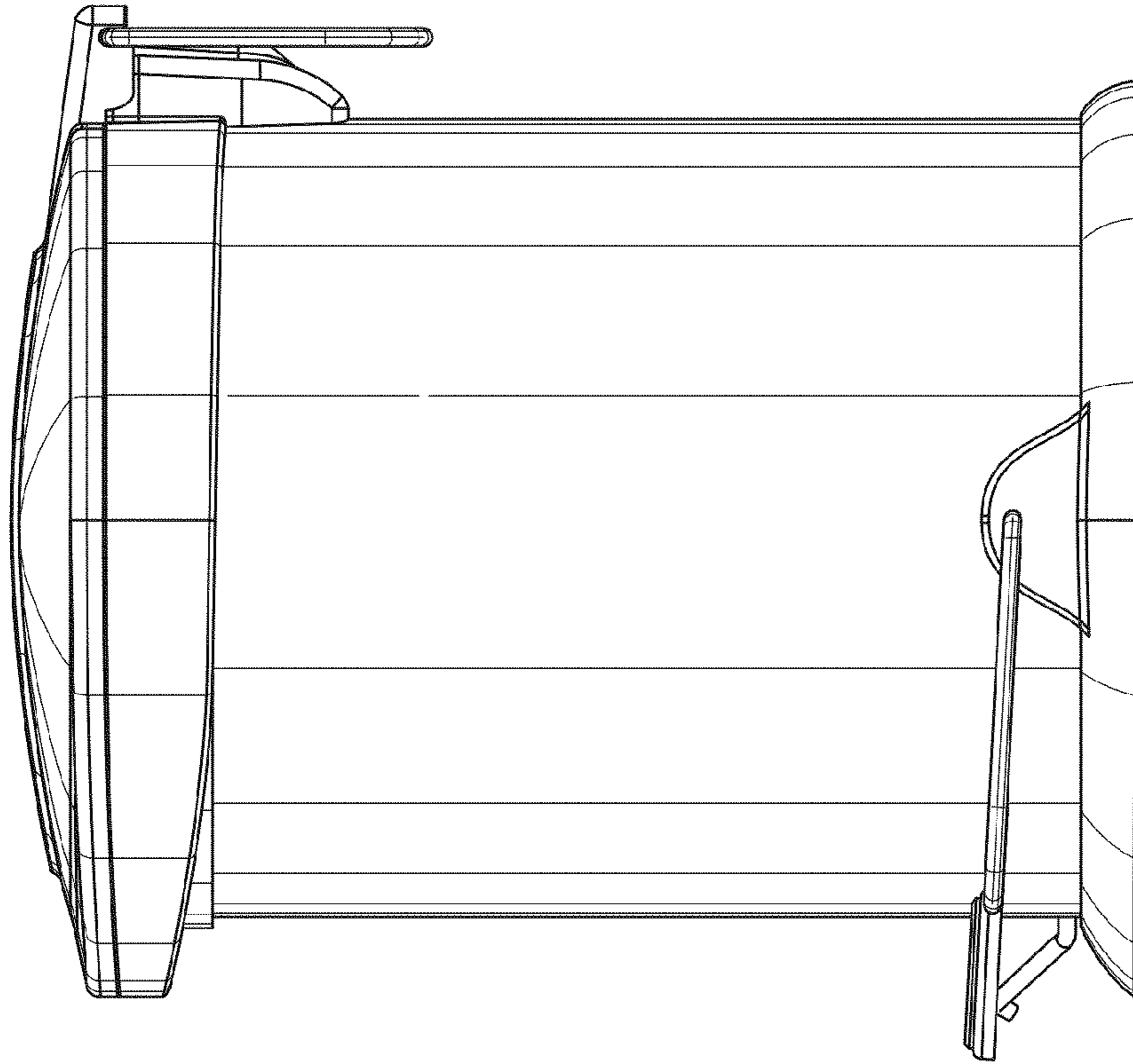


FIG. 4

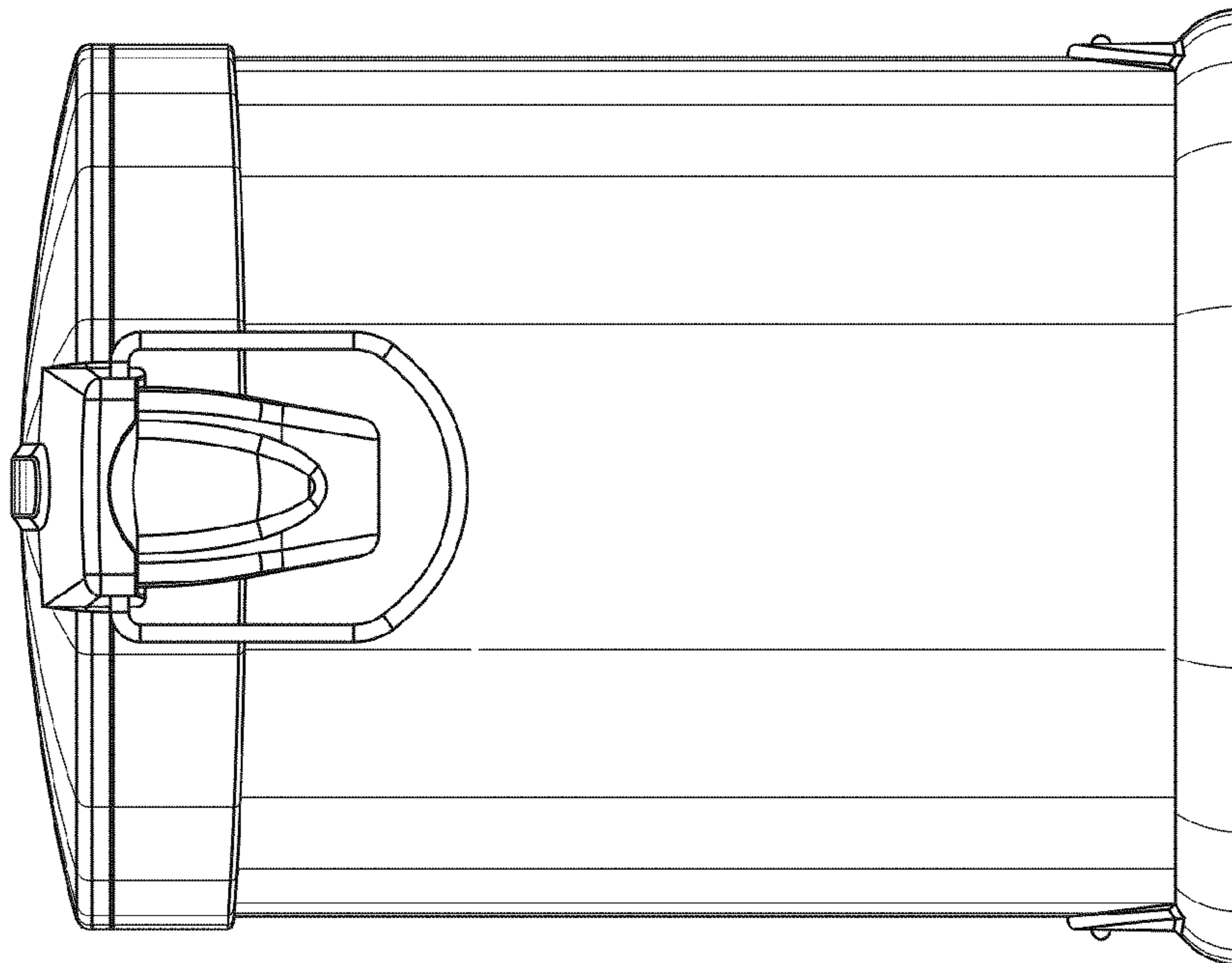


FIG. 5

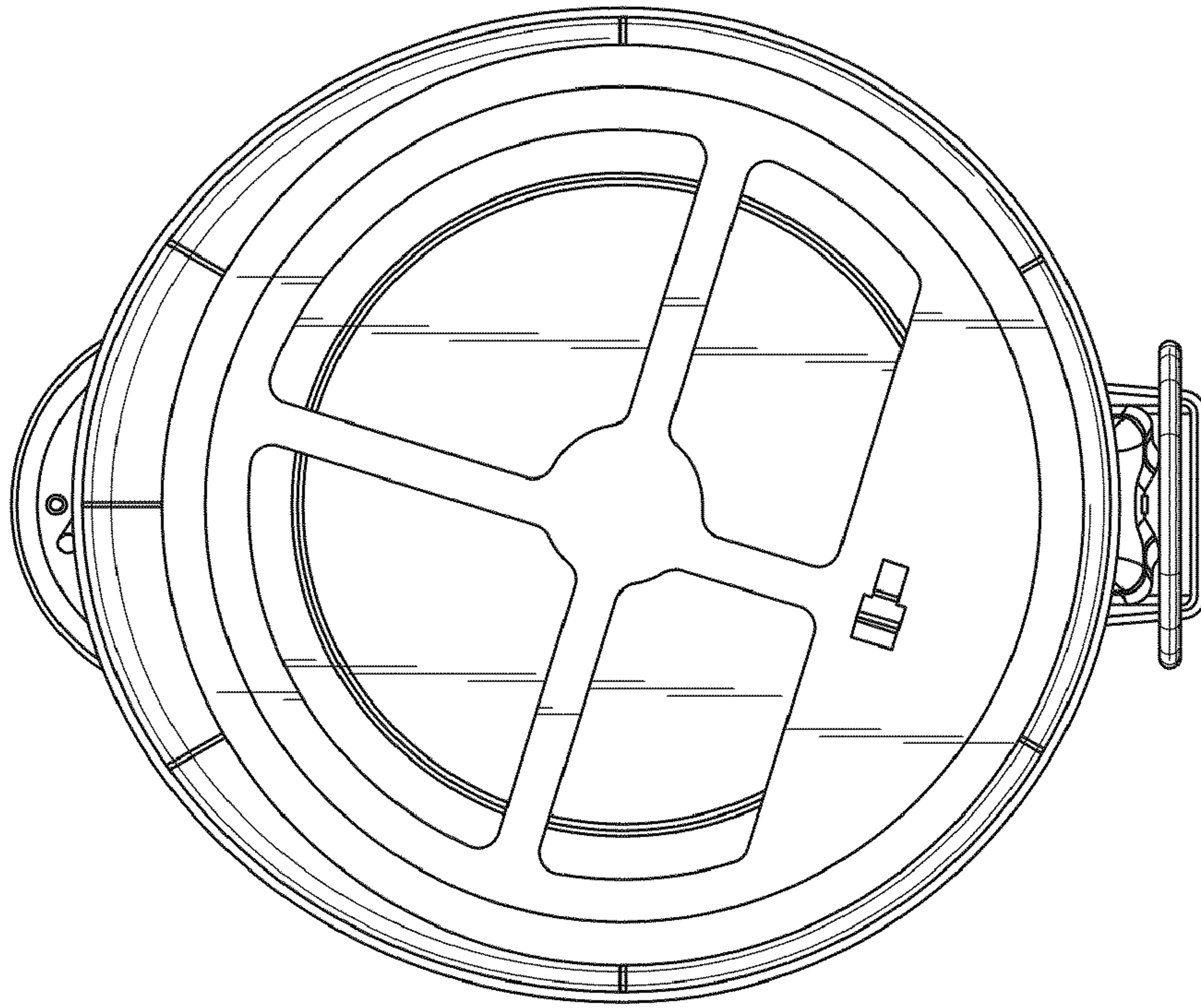


FIG. 7

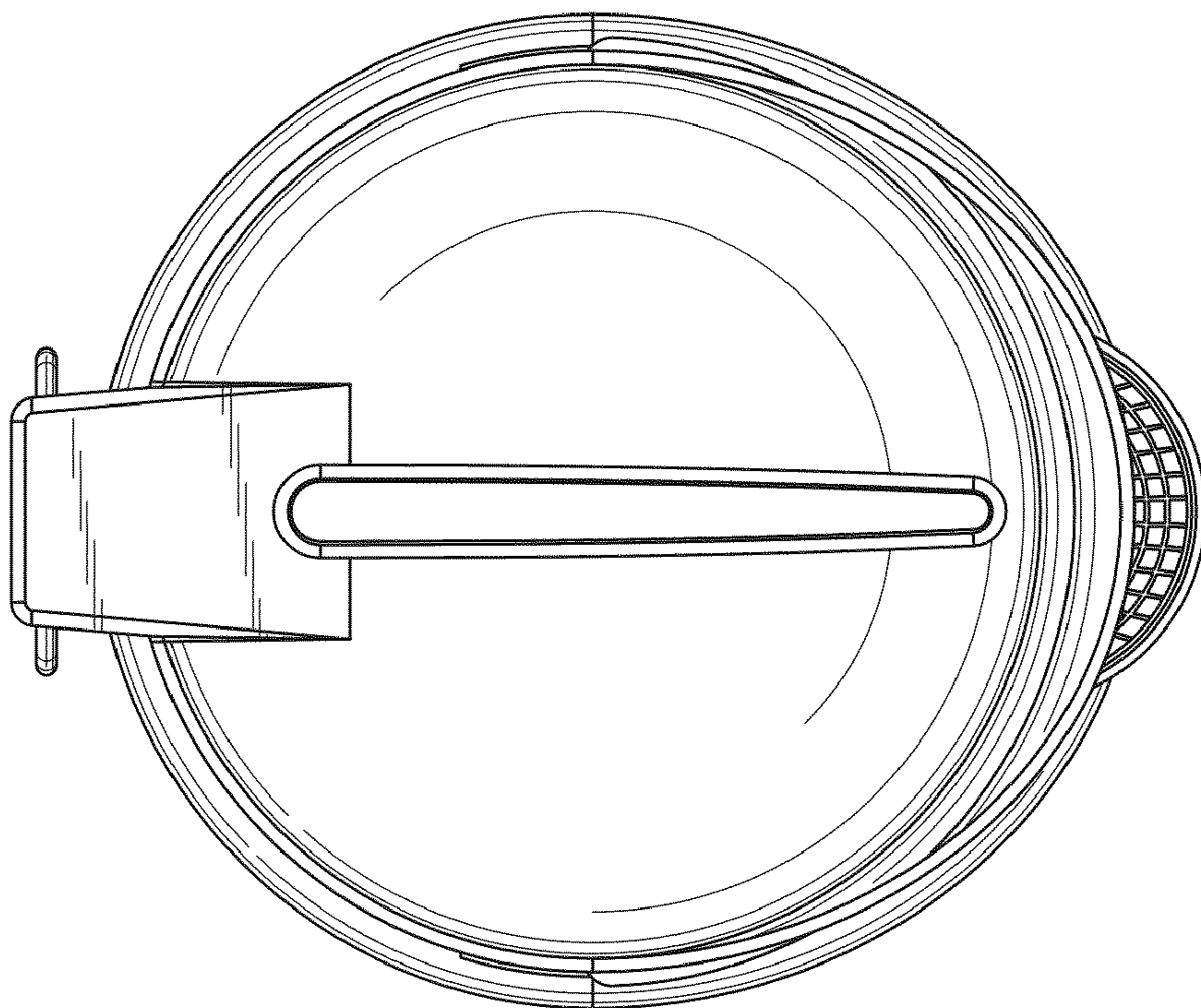


FIG. 6