



US00D564168S

(12) **United States Design Patent**
Larin

(10) **Patent No.:** **US D564,168 S**

(45) **Date of Patent:** **** Mar. 11, 2008**

(54) **TRASH CONTAINER**

D517,265 S * 3/2006 Berres et al. D34/3
D539,998 S * 4/2007 Andrade D34/3

(76) Inventor: **Dominic Larin**, 750, Des Erables
Blvd., Valleyfield, Quebec (CA) J6T
6C4

* cited by examiner

Primary Examiner—Cynthia E Ramirez

(**) Term: **14 Years**

(57) **CLAIM**

(21) Appl. No.: **29/273,438**

The ornamental design for a trash container, as shown and described.

(22) Filed: **Mar. 5, 2007**

DESCRIPTION

(51) **LOC (8) Cl.** **09-09**

(52) **U.S. Cl.** **D34/3; D34/1**

(58) **Field of Classification Search** D34/1,
D34/3; 220/908-913; 414/422; 296/68.1,
296/68.2, 68.26

FIG. 1 is a front and top perspective view of a trash container showing my new design;

FIG. 2 is a front view thereof;

FIG. 3 is a side view, the other side being a mirror image thereof;

See application file for complete search history.

FIG. 4 is a rear view thereof;

(56) **References Cited**

U.S. PATENT DOCUMENTS

D300,069 S * 2/1989 Abel D34/3
5,183,180 A * 2/1993 Hawkins et al. 294/68.1
D389,970 S * 1/1998 Darnell D34/1
D420,187 S * 2/2000 Houry D34/19

FIG. 5 is a bottom view thereof;

FIG. 6 is a top view thereof; and,

FIG. 7 is a bottom, rear perspective view thereof.

1 Claim, 7 Drawing Sheets

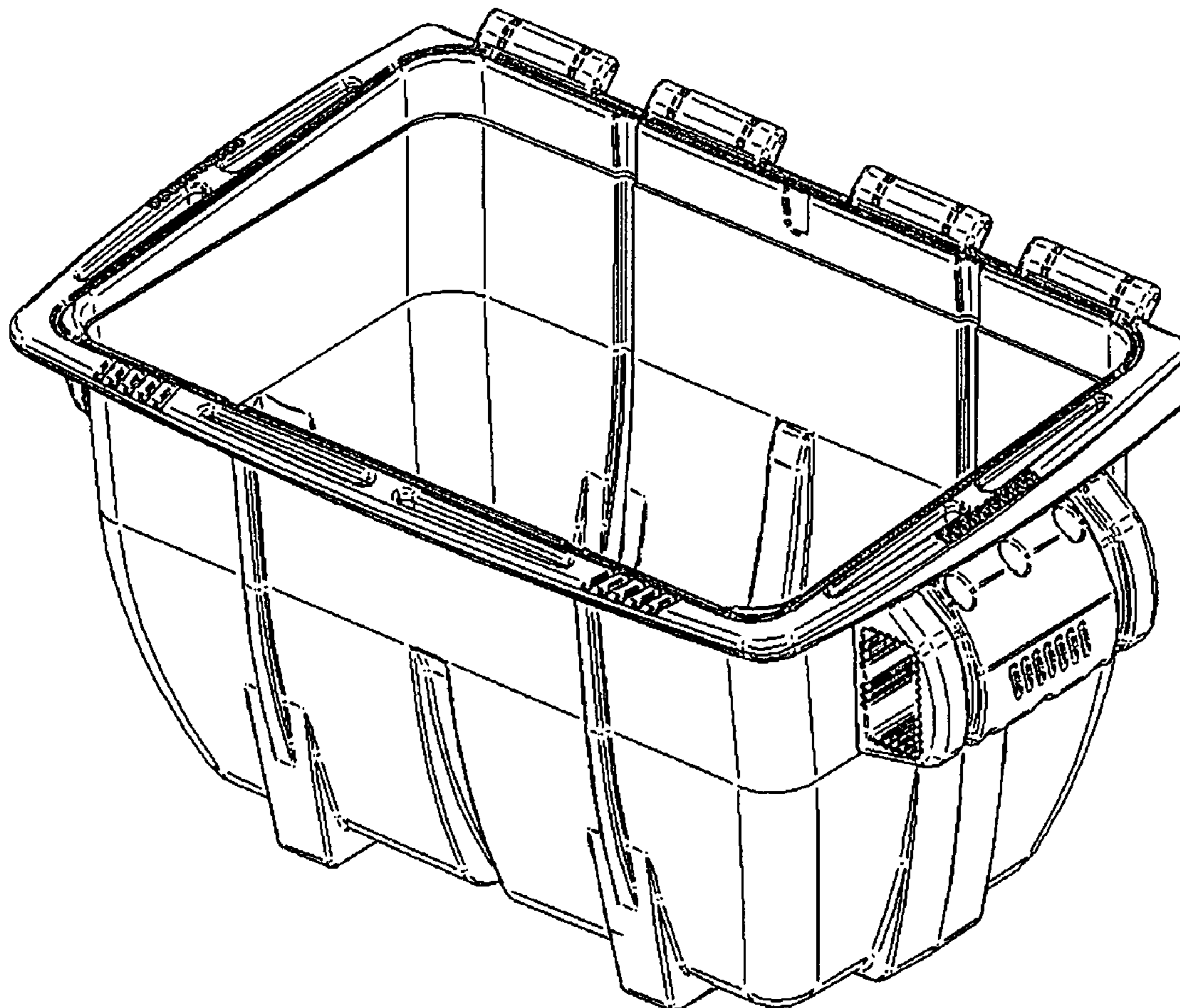


FIG. 1

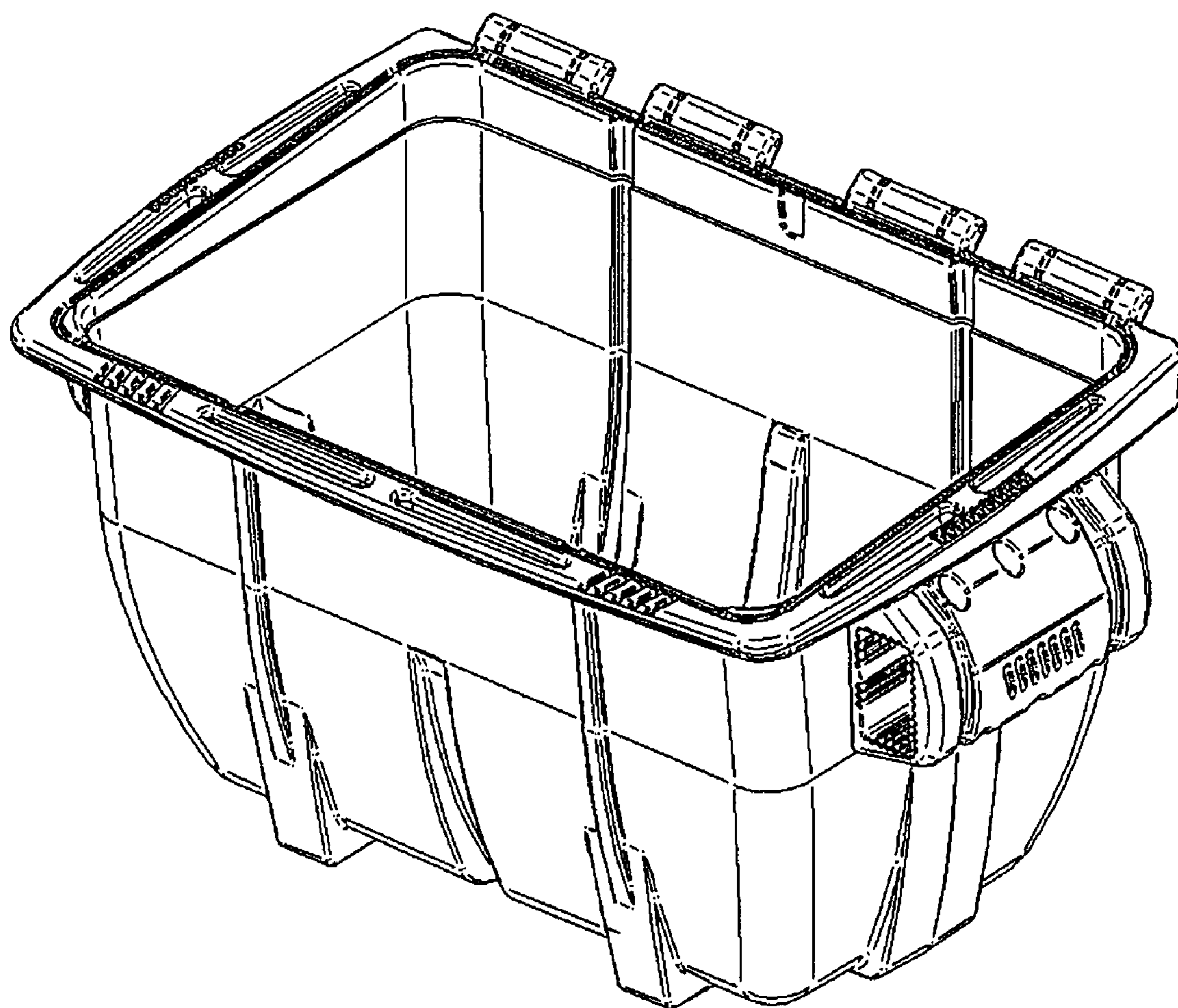


FIG. 2

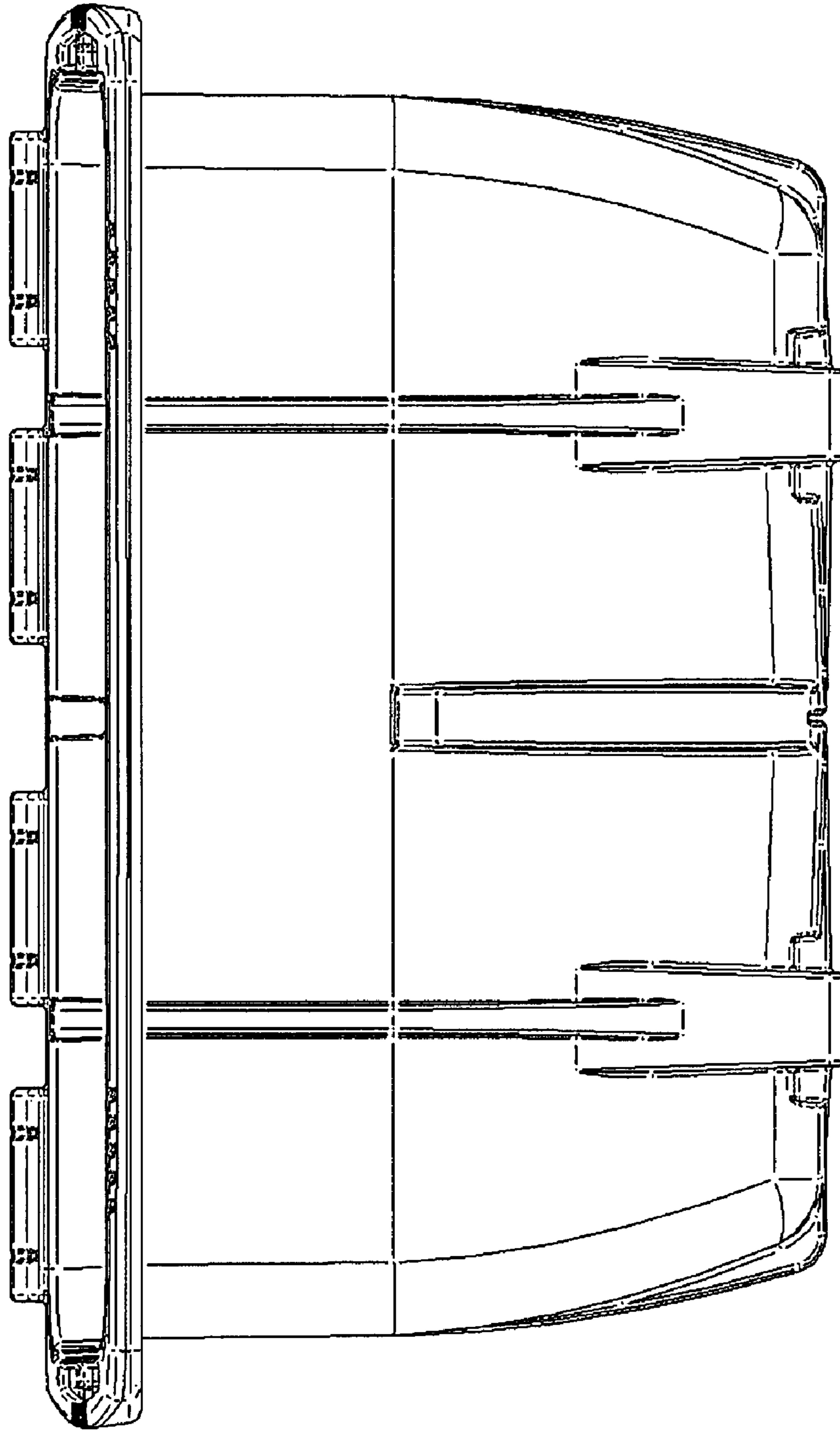


FIG. 3

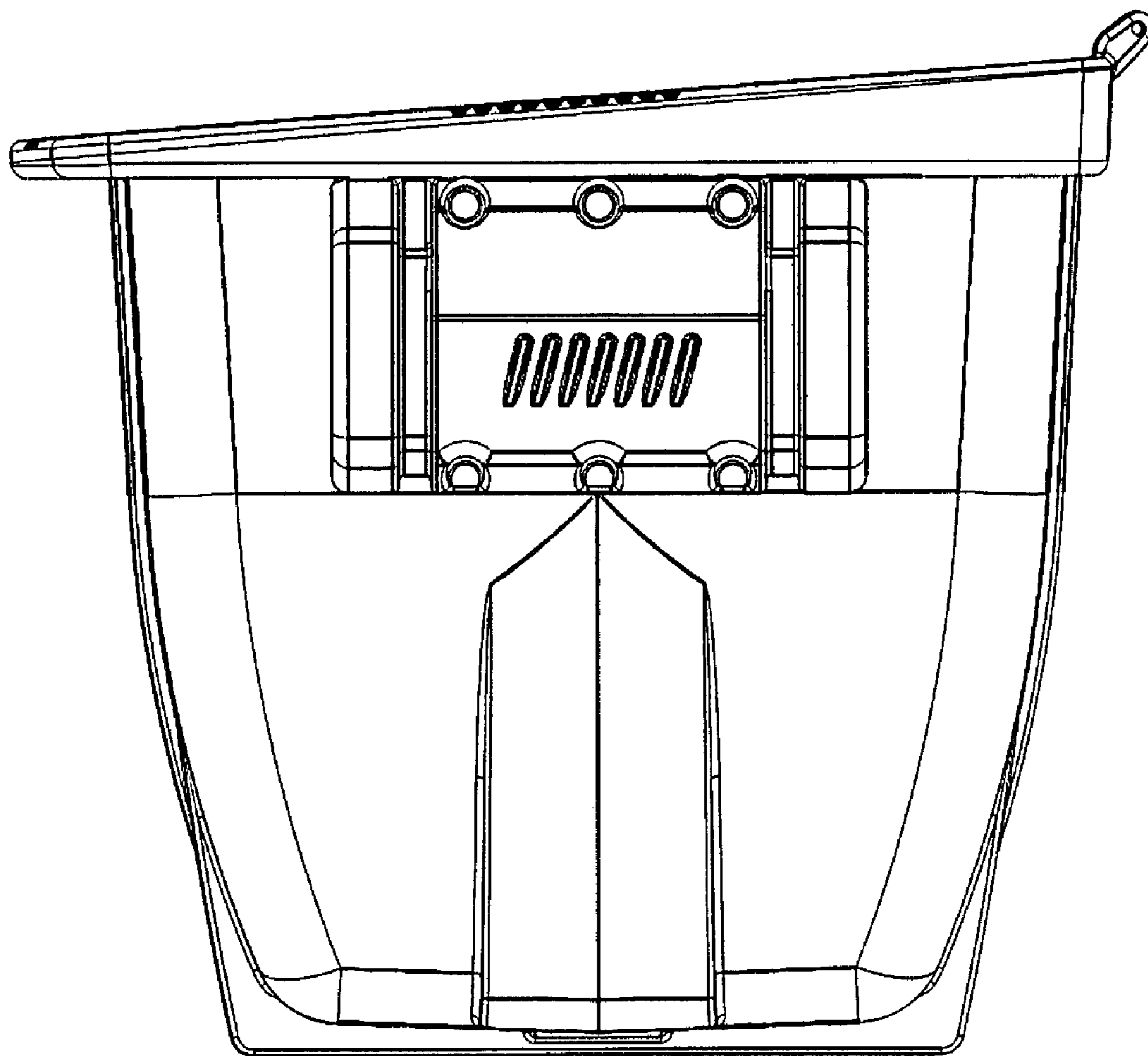
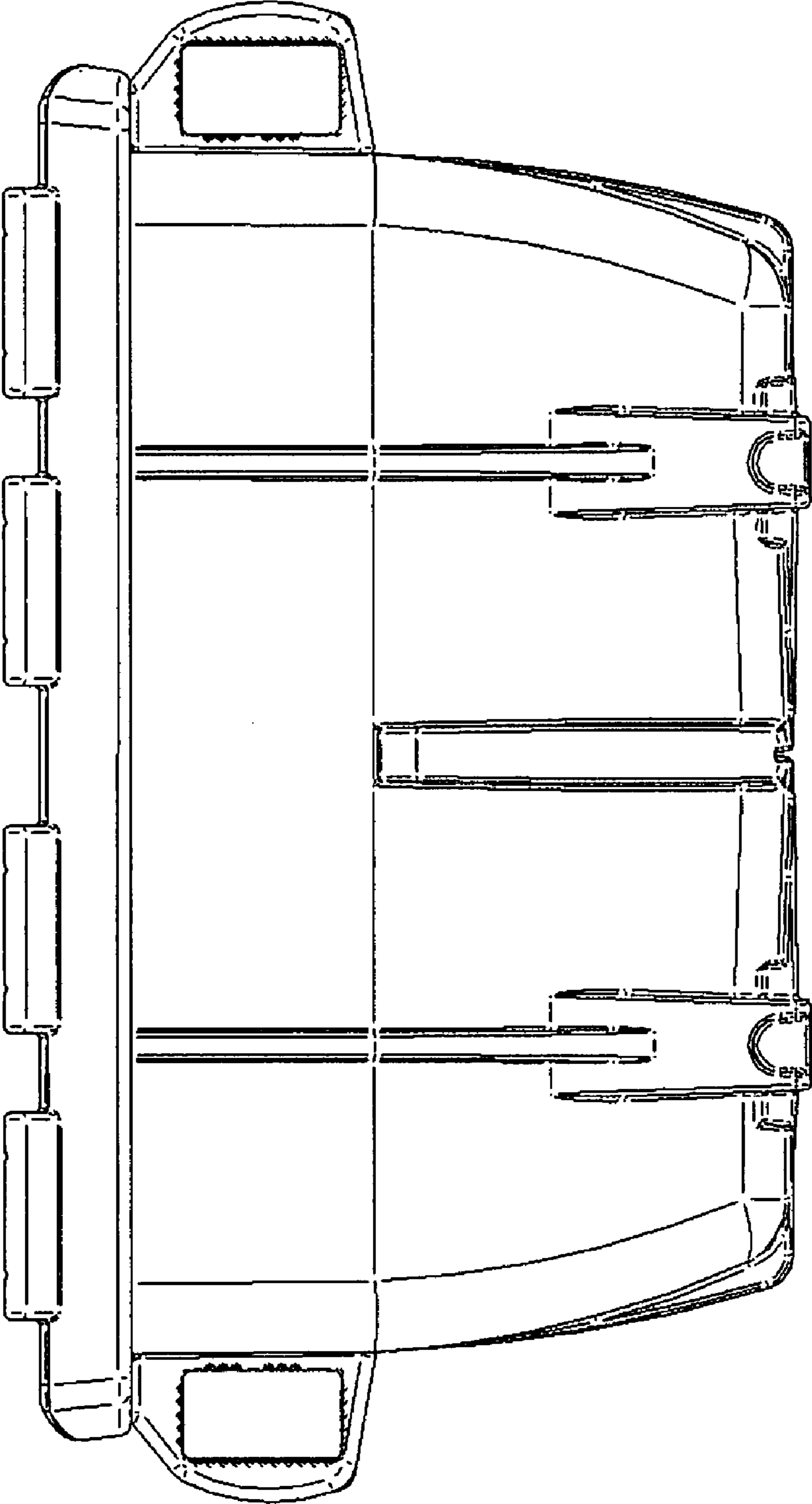


FIG. 4



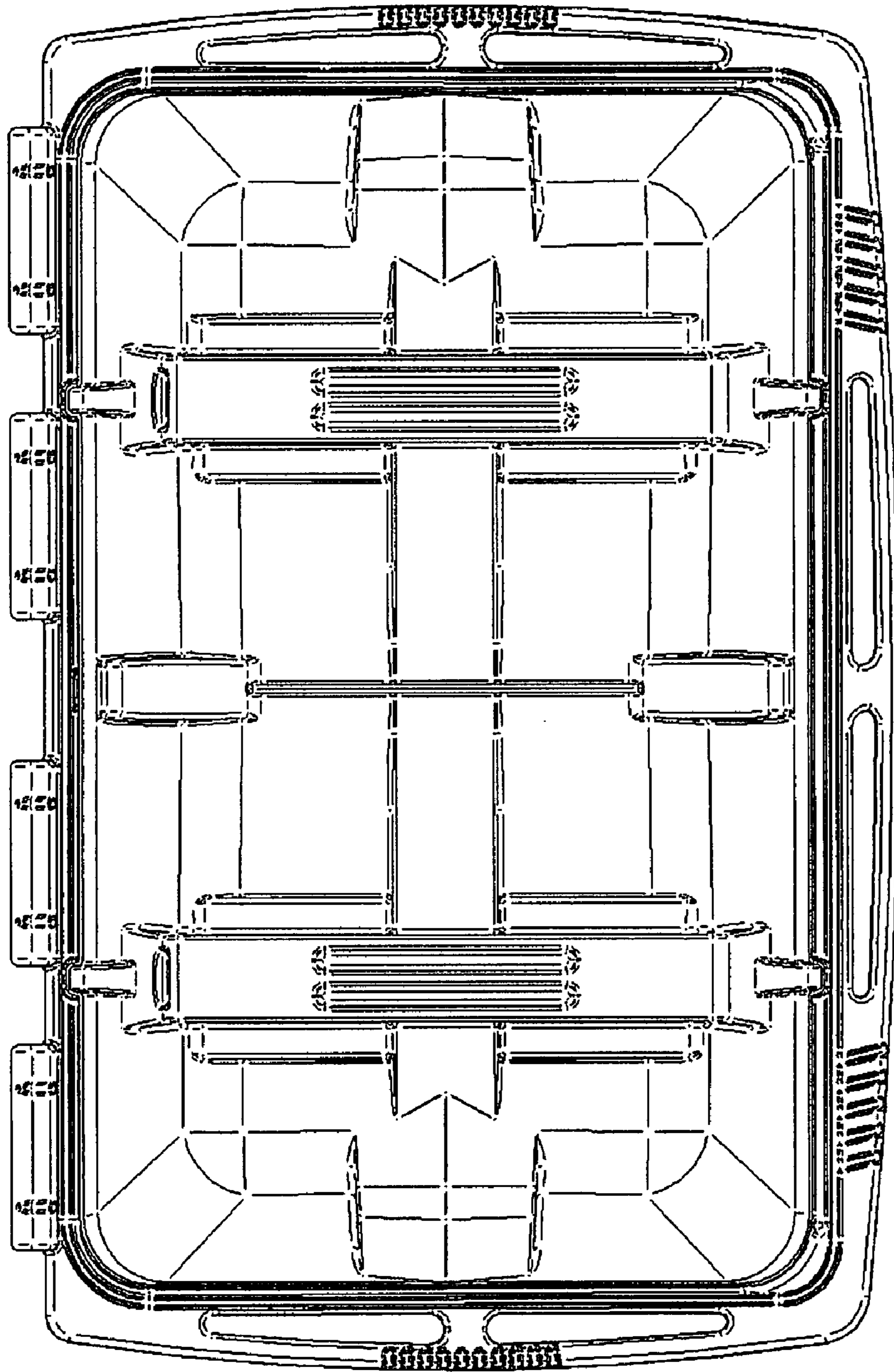


FIG. 5

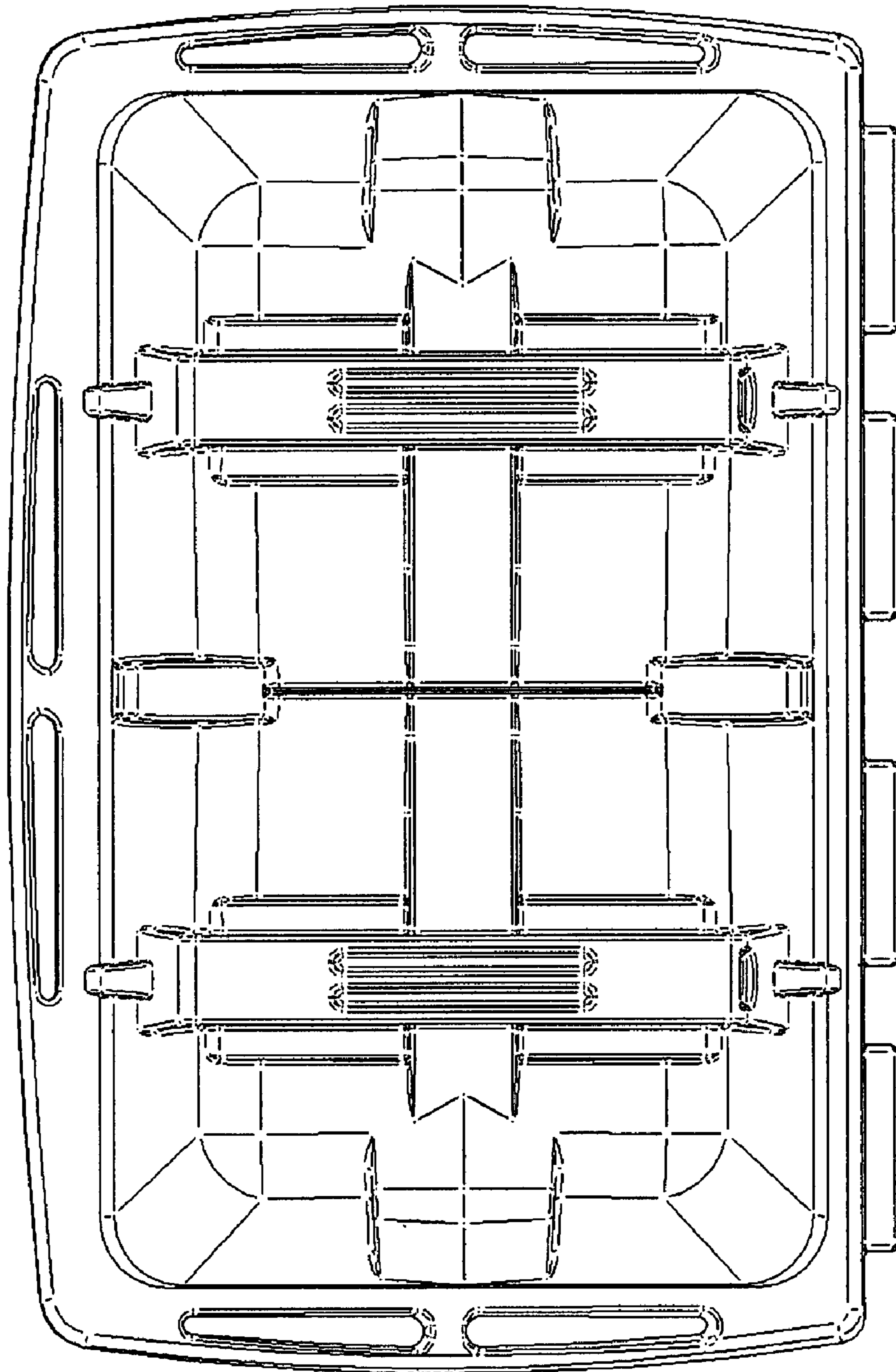


FIG. 6

FIG. 7

