



US00D564166S

(12) **United States Design Patent**
Yang

(10) **Patent No.:** **US D564,166 S**

(45) **Date of Patent:** **** Mar. 11, 2008**

(54) **IRON WITH STEAM GENERATOR**

(75) Inventor: **Tah Ching Yang**, Kowloon Tong (HK)

(73) Assignee: **Koninklijke Philips Electronics N. V.**,
Eindhoven (NL)

(**) Term: **14 Years**

(21) Appl. No.: **29/246,925**

(22) Filed: **May 22, 2006**

(30) **Foreign Application Priority Data**

Dec. 2, 2005 (EM) 000441670

(51) **LOC (8) Cl.** **07-05**

(52) **U.S. Cl.** **D32/73; D32/71**

(58) **Field of Classification Search** D32/71-73,
D32/10, 17, 21, 254; 68/5 R, 222, 386; 15/320-321;
38/77.6; 392/386, 394-403

See application file for complete search history.

(56) **References Cited**

U.S. PATENT DOCUMENTS

D315,434 S * 3/1991 Paulin D32/68
D318,546 S * 7/1991 Giannelli D32/73
D318,939 S * 8/1991 Giannelli D32/73

5,074,066 A * 12/1991 Sakano et al. 38/77.8
D374,527 S * 10/1996 Gudefin D32/68
D379,702 S * 6/1997 Gudefin et al. D32/73
D388,576 S * 12/1997 Gudefin et al. D32/73
D388,921 S * 1/1998 Doria D32/73
D423,163 S * 4/2000 Stutzer et al. D32/73
D463,641 S * 9/2002 Powell D32/71

* cited by examiner

Primary Examiner—Pamela J. Burgess

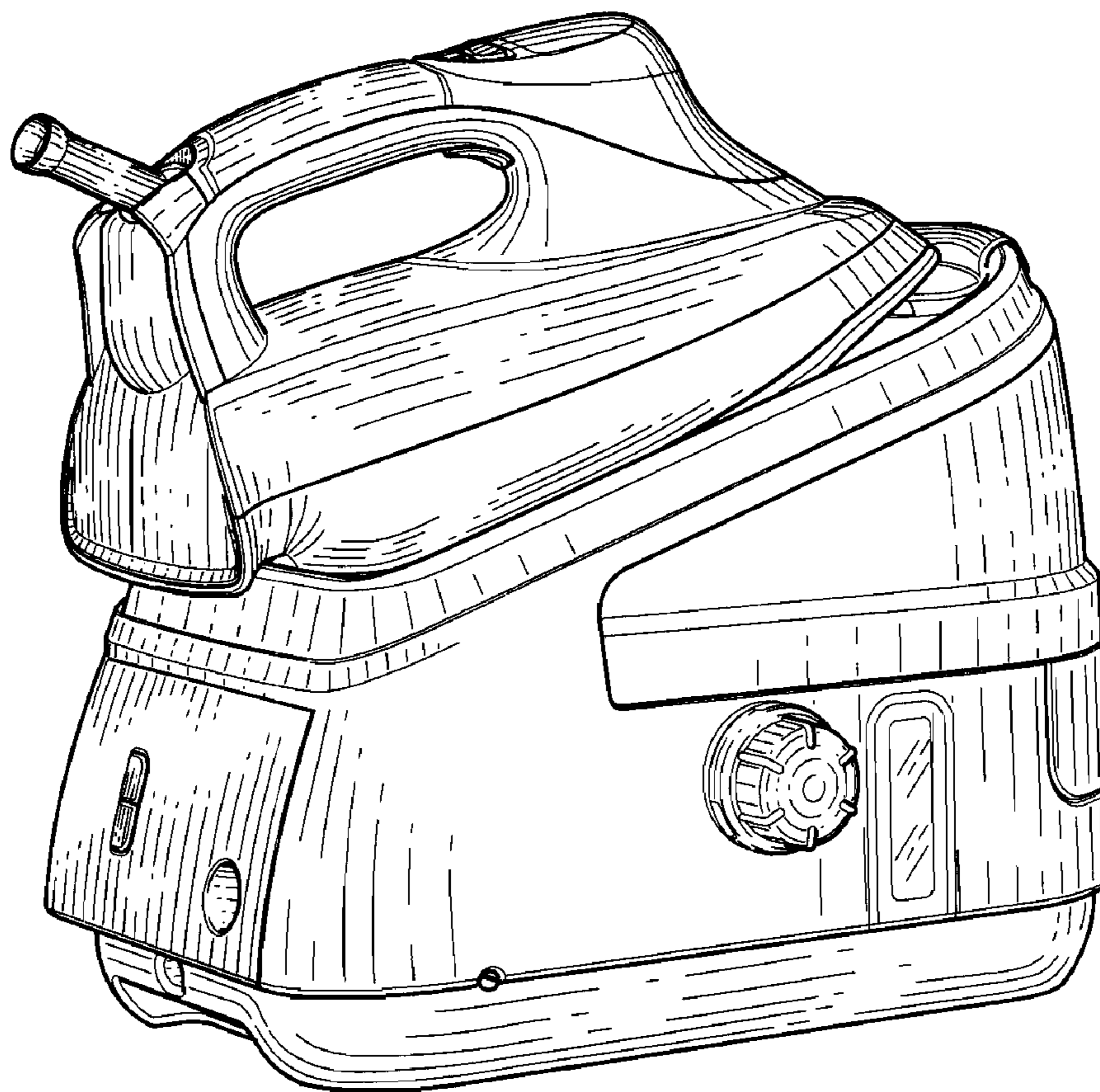
(57) **CLAIM**

The ornamental design for a iron with steam generator, as shown.

DESCRIPTION

FIG. 1 is a perspective view showing my design;
FIG. 2 is a front elevational view thereof;
FIG. 3 is a rear elevational view thereof;
FIG. 4 is a right side elevational view thereof;
FIG. 5 is a left side elevational view thereof;
FIG. 6 is a top plan view thereof; and,
FIG. 7 is a bottom plan view thereof.

1 Claim, 5 Drawing Sheets



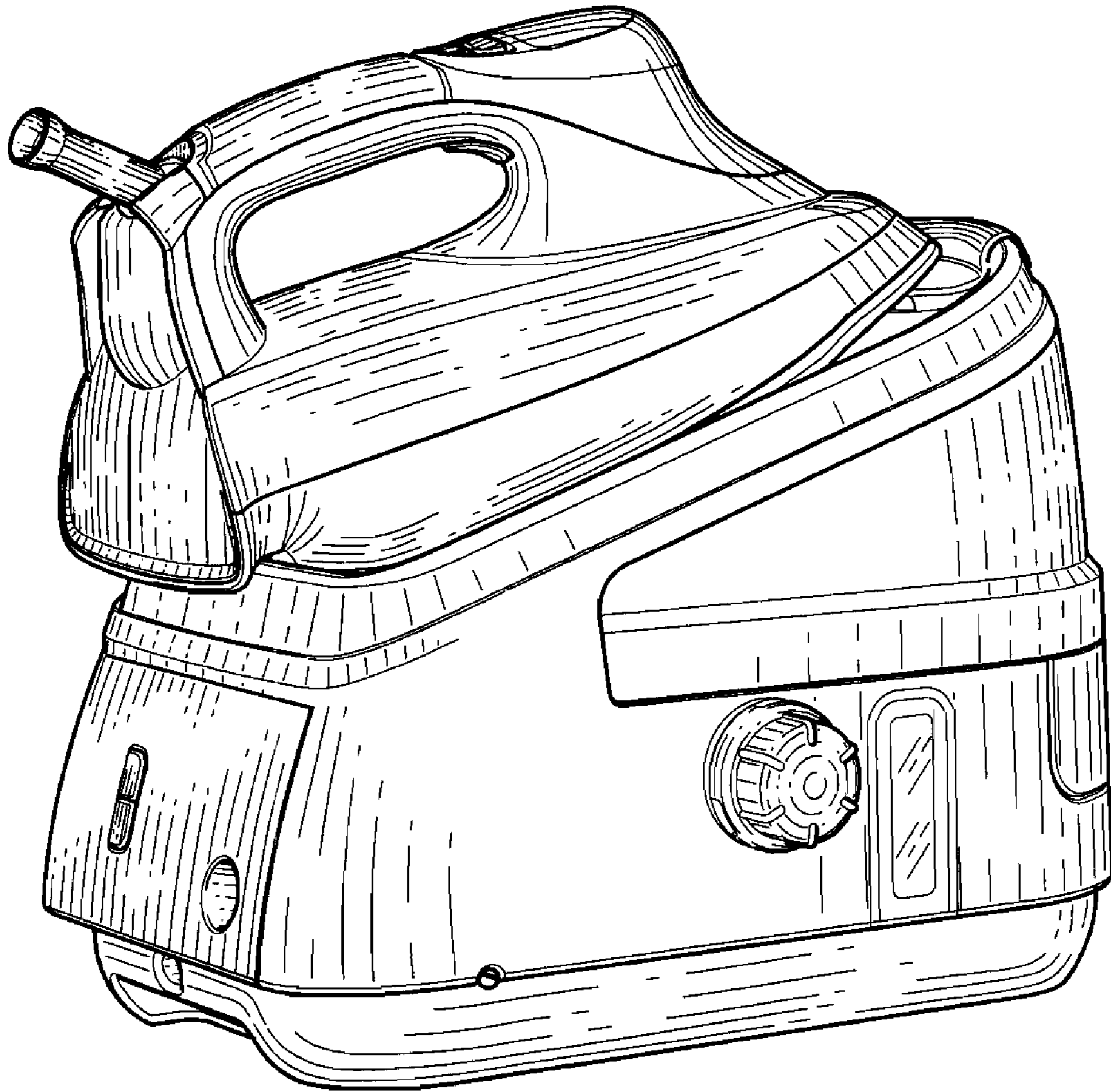


FIG.1

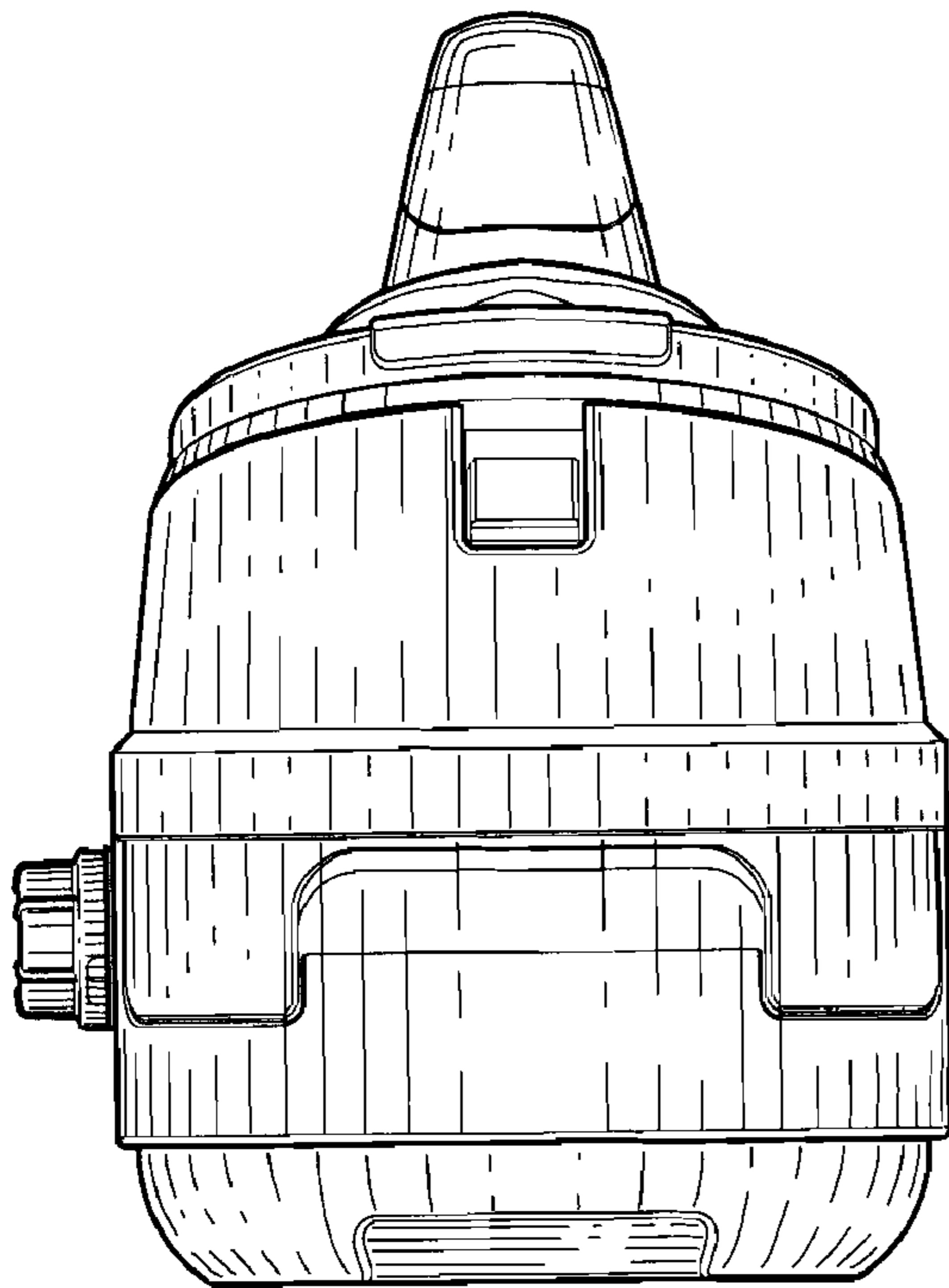


FIG. 2

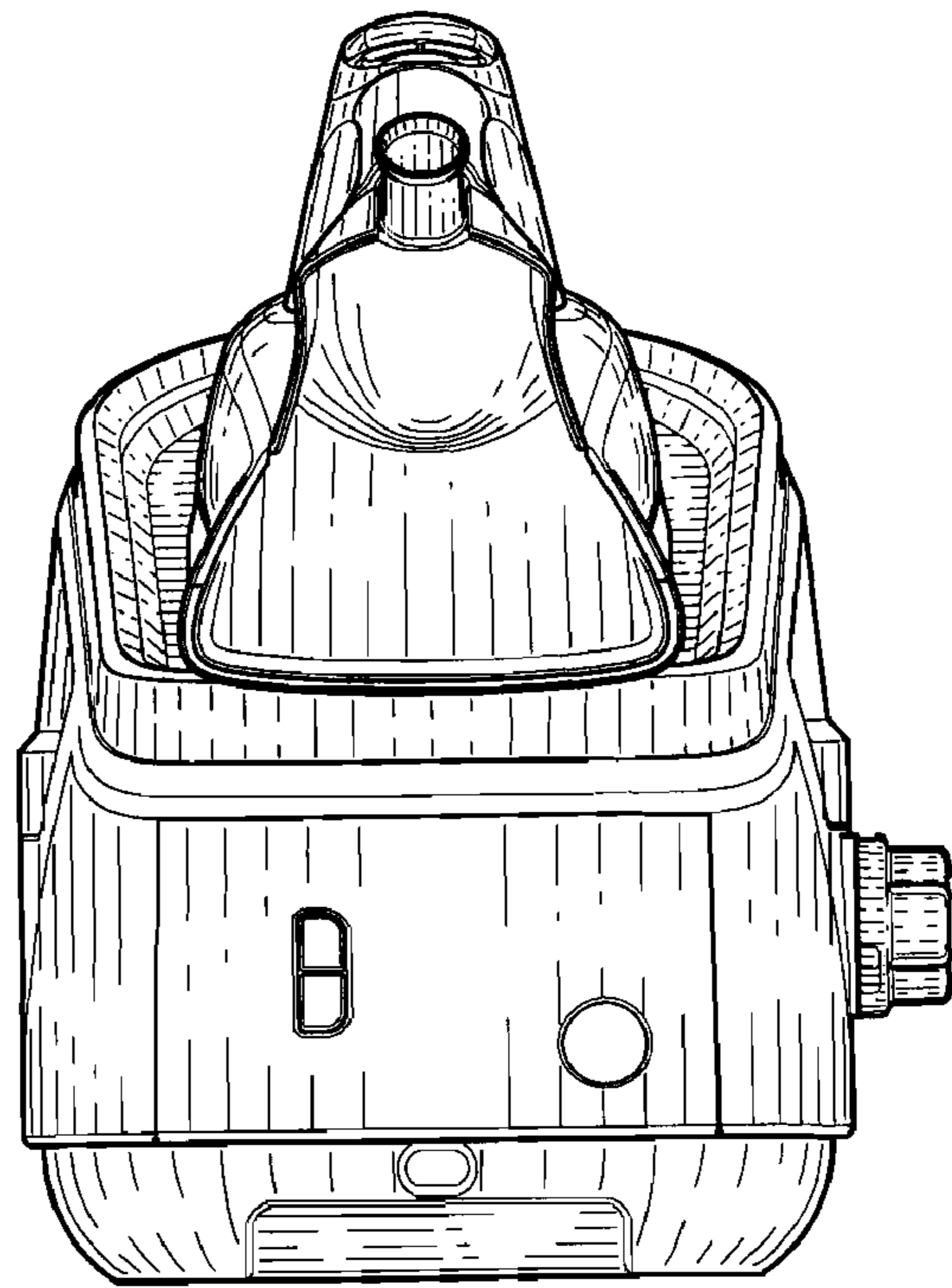


FIG. 3

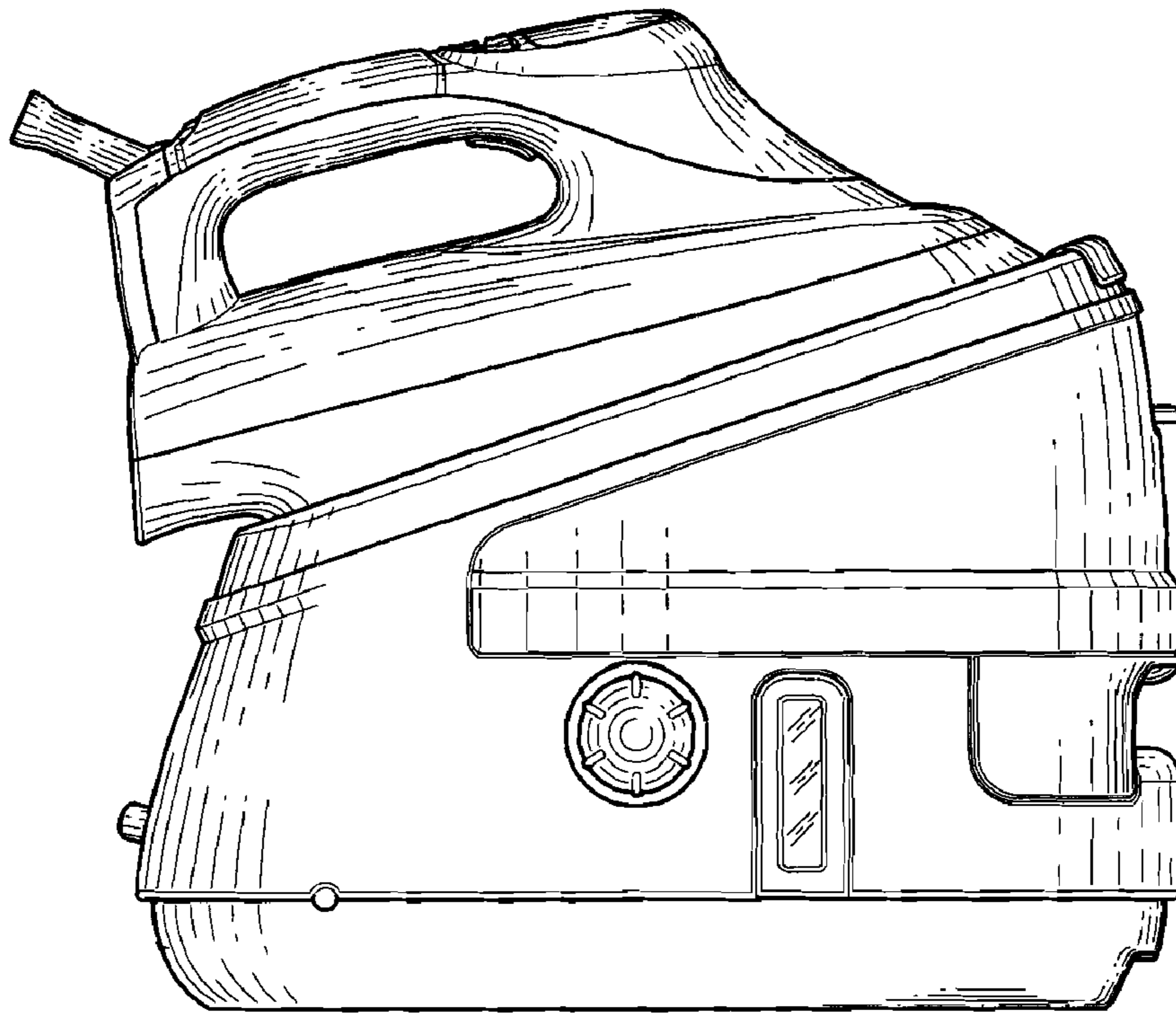


FIG. 4

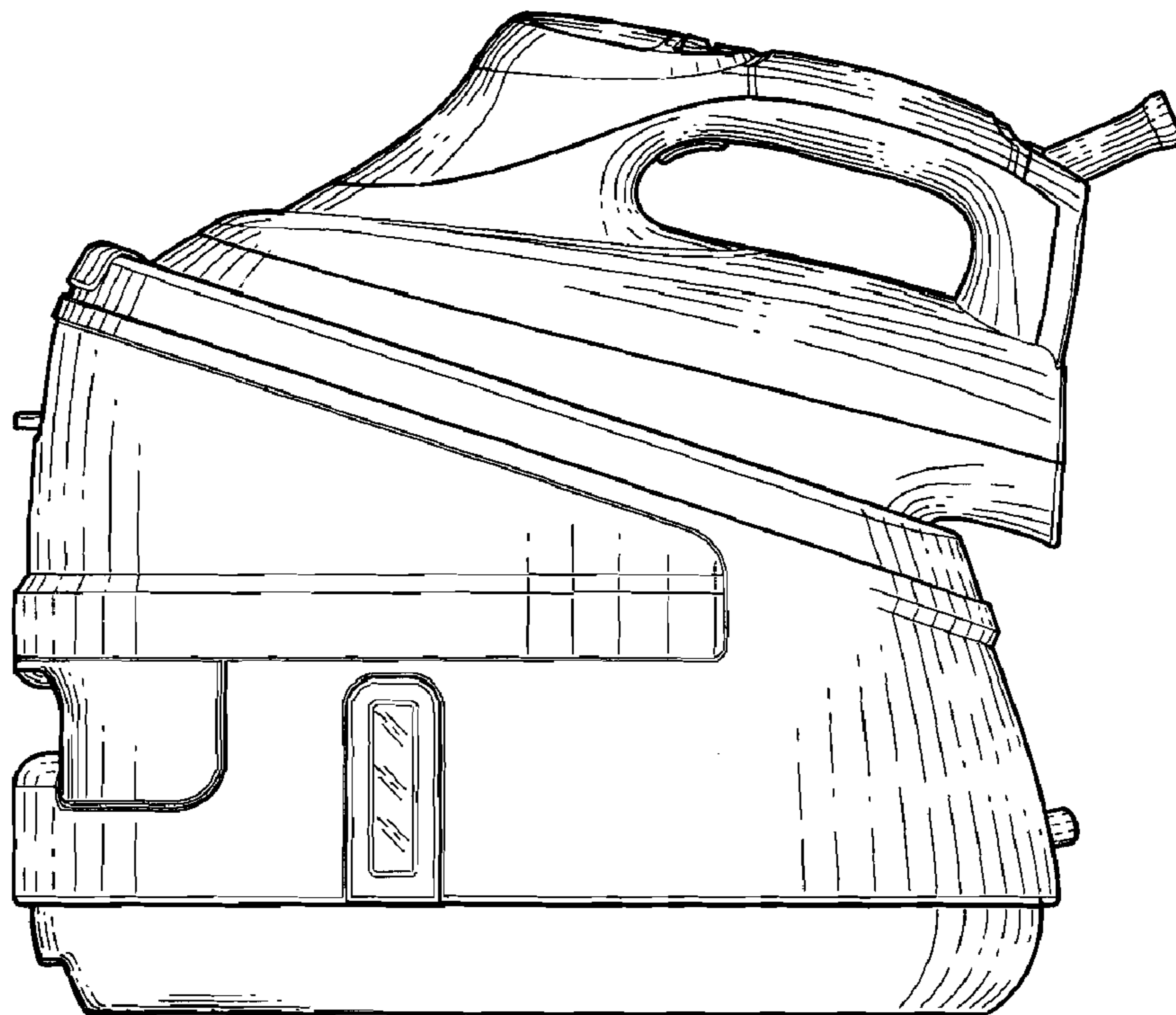


FIG. 5

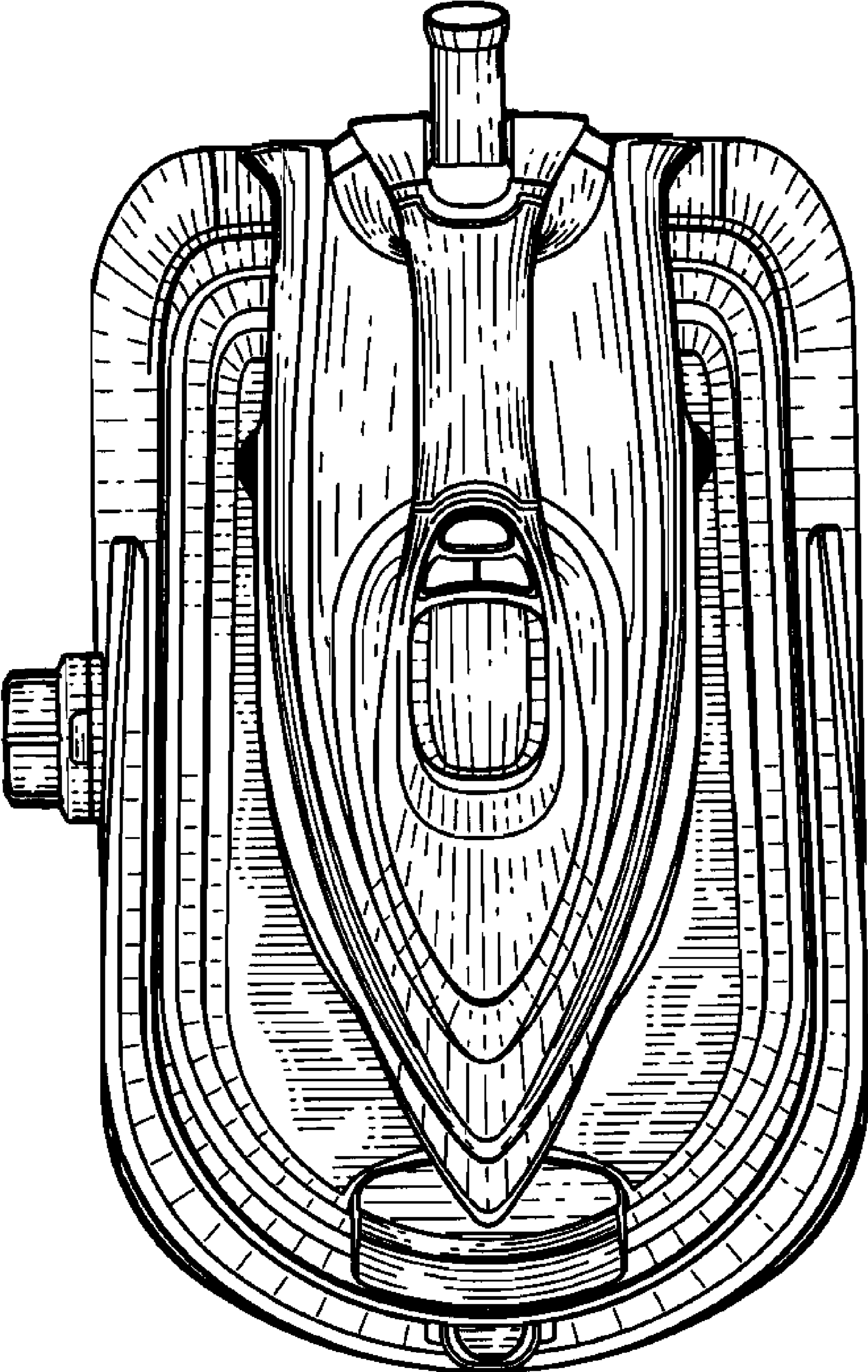


FIG. 6



FIG. 7