



US00D564163S

(12) **United States Design Patent** (10) **Patent No.:** **US D564,163 S**  
**Bar-Noy et al.** (45) **Date of Patent:** **\*\* Mar. 11, 2008**

(54) **MOP WITH A RECEPTACLE**  
(75) Inventors: **Haim Bar-Noy**, Racine, WI (US); **Jay W. Hutchison**, Racine, WI (US); **James M. Scolaro**, Racine, WI (US); **Glenn N. Weaver**, Racine, WI (US); **Ronald Rhea Dir**, Sturtevant, WI (US)

(73) Assignee: **JohnsonDiversey, Inc.**, Sturtevant, WI (US)

(\*\*) Term: **14 Years**

(21) Appl. No.: **29/282,377**

(22) Filed: **Jul. 18, 2007**

**Related U.S. Application Data**

(63) Continuation of application No. 29/234,178, filed on Jul. 14, 2005, now Pat. No. Des. 552,815.

(51) **LOC (8) Cl.** ..... **04-01**

(52) **U.S. Cl.** ..... **D32/50**

(58) **Field of Classification Search** ..... D32/35, D32/40, 42, 45, 51, 52, 53, 74, 50, 54; D4/116; 15/105-106, 111, 116.1, 117, 119 R, 119 A, 15/145-146, 147 R, 147 A-147 D, 171, 15/229.1-229.9

See application file for complete search history.

(56) **References Cited**

**U.S. PATENT DOCUMENTS**

D31,183 S *	7/1899	Gerwig	.....	D32/74
2,999,259 A	9/1961	Polner	.....	15/104.8
3,056,993 A	10/1962	Lewis	.....	15/310
3,324,494 A	6/1967	Vosbikian	.....	15/105
3,733,636 A	5/1973	Osadsky	.....	15/111
D300,905 S	5/1989	Perkins	.....	D9/415
D323,940 S	2/1992	Murphy et al.	.....	D4/116
5,092,699 A *	3/1992	Silvenis	.....	401/21
D345,238 S *	3/1994	Berti	.....	D32/74

5,469,594 A	11/1995	Nolte	.....	15/121
D394,928 S *	6/1998	Laib	.....	D32/74
D449,911 S *	10/2001	Goodman	.....	D32/74
D461,610 S *	8/2002	Perelli	.....	D32/74
D468,879 S *	1/2003	Perelli	.....	D32/74
D484,659 S *	12/2003	Perelli et al.	.....	D32/74
D502,299 S	2/2005	Junghans	.....	D32/35
D509,035 S	8/2005	Libman et al.	.....	D32/74
D533,356 S	12/2006	Van Landingham, Jr.	....	D4/199
2003/0164176 A1 *	9/2003	Arbon	.....	134/6
2003/0167588 A1	9/2003	Perelli et al.	.....	15/257.7
2004/0134004 A1	7/2004	Kaleta	.....	15/104.002
2005/0155327 A1	7/2005	Bober et al.	.....	134/6

\* cited by examiner

*Primary Examiner*—Cathron Brooks

*Assistant Examiner*—Barbara Fox

(74) *Attorney, Agent, or Firm*—Gregory S. Bollis

(57) **CLAIM**

We claim the ornamental design for a mop with a receptacle, as shown and described.

**DESCRIPTION**

FIG. 1 is a perspective view of a mop with a receptacle embodying aspects of the invention.

FIG. 2 is a top view of the mop shown in FIG. 1.

FIG. 3 is a bottom view of the mop shown in FIG. 1.

FIG. 4 is a front view of the mop shown in FIG. 1.

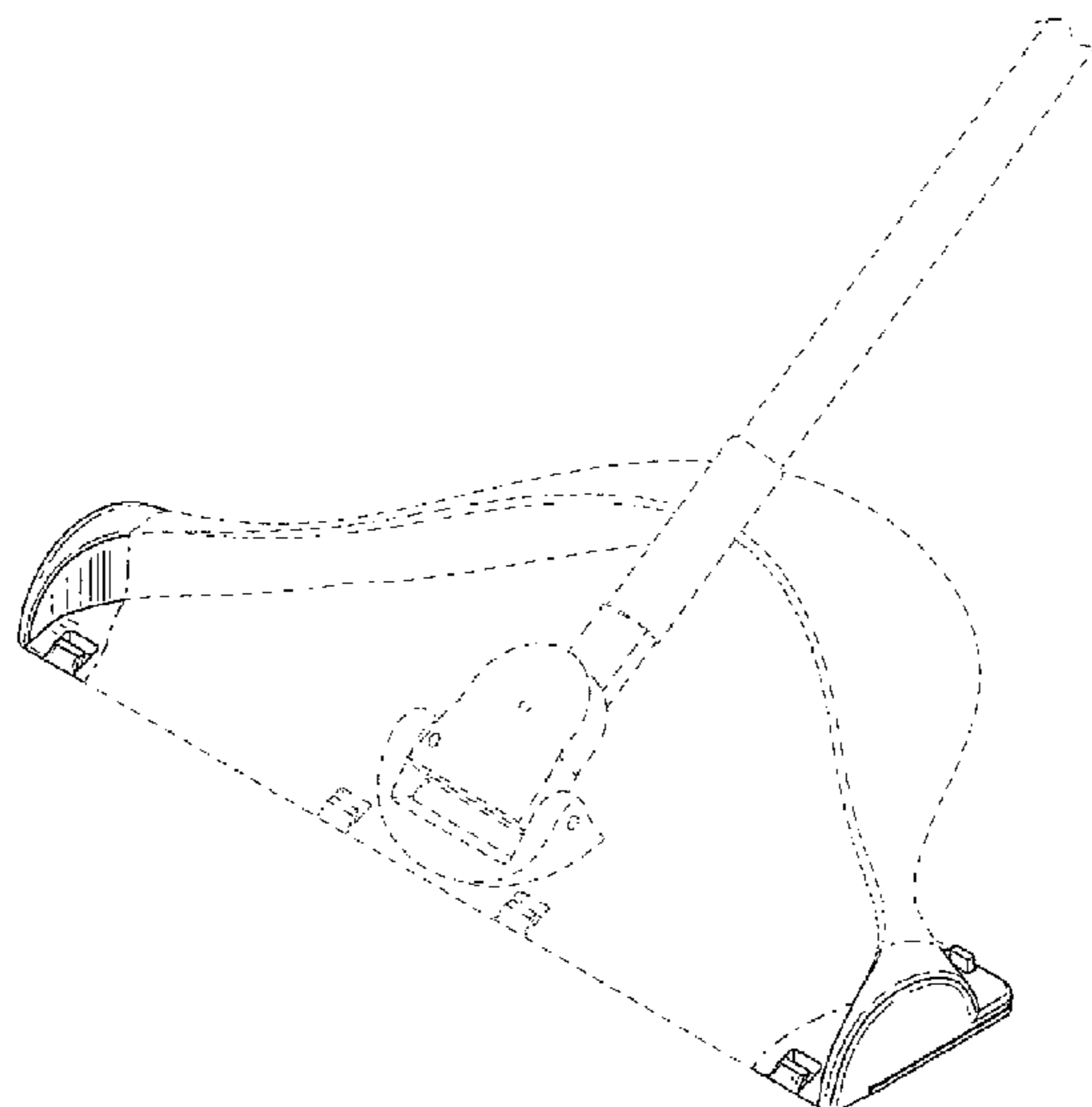
FIG. 5 is a rear view of the mop shown in FIG. 1.

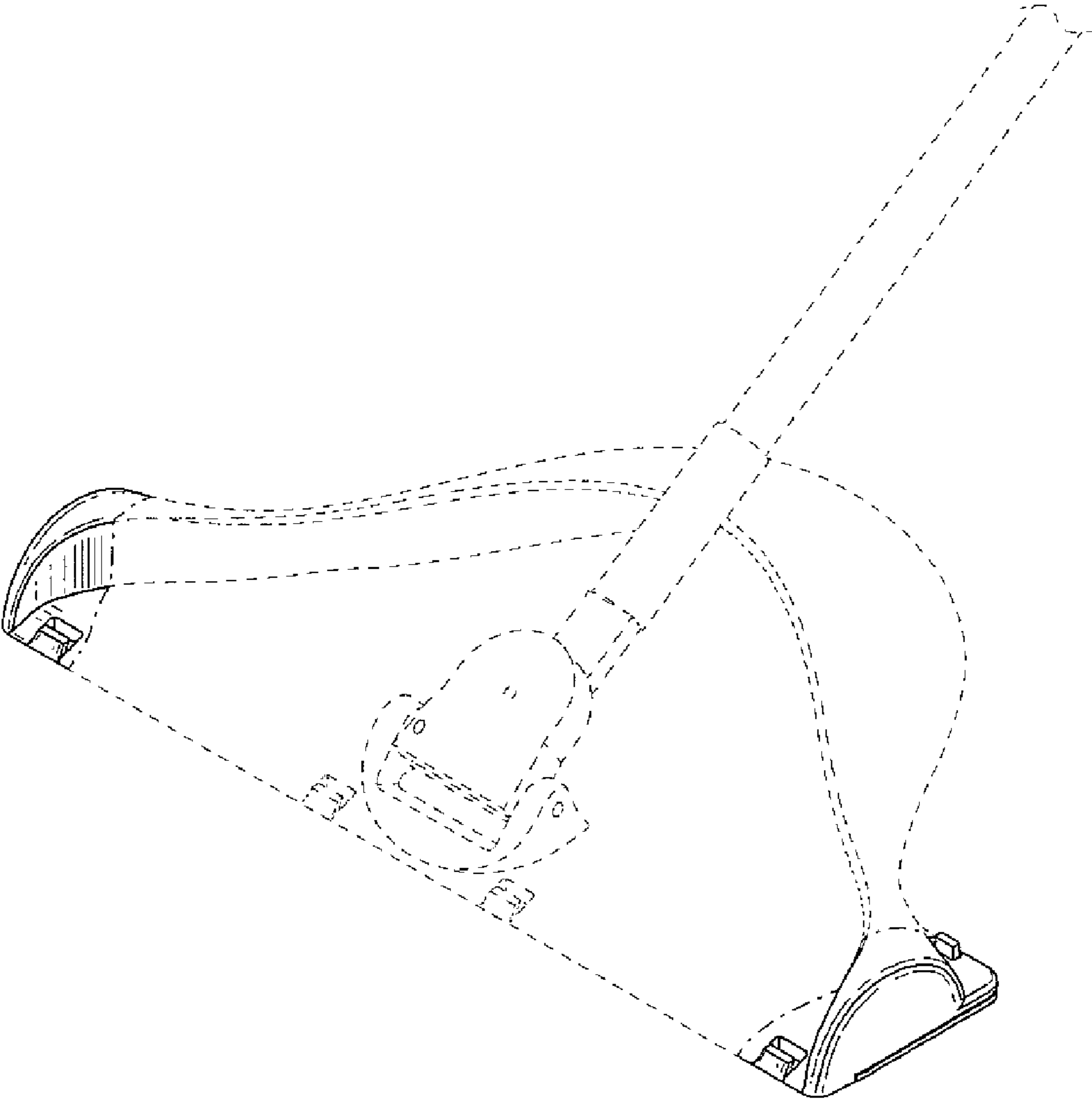
FIG. 6 is a right side view of the mop shown in FIG. 1; and,

FIG. 7 is a left side view of the mop shown in FIG. 1.

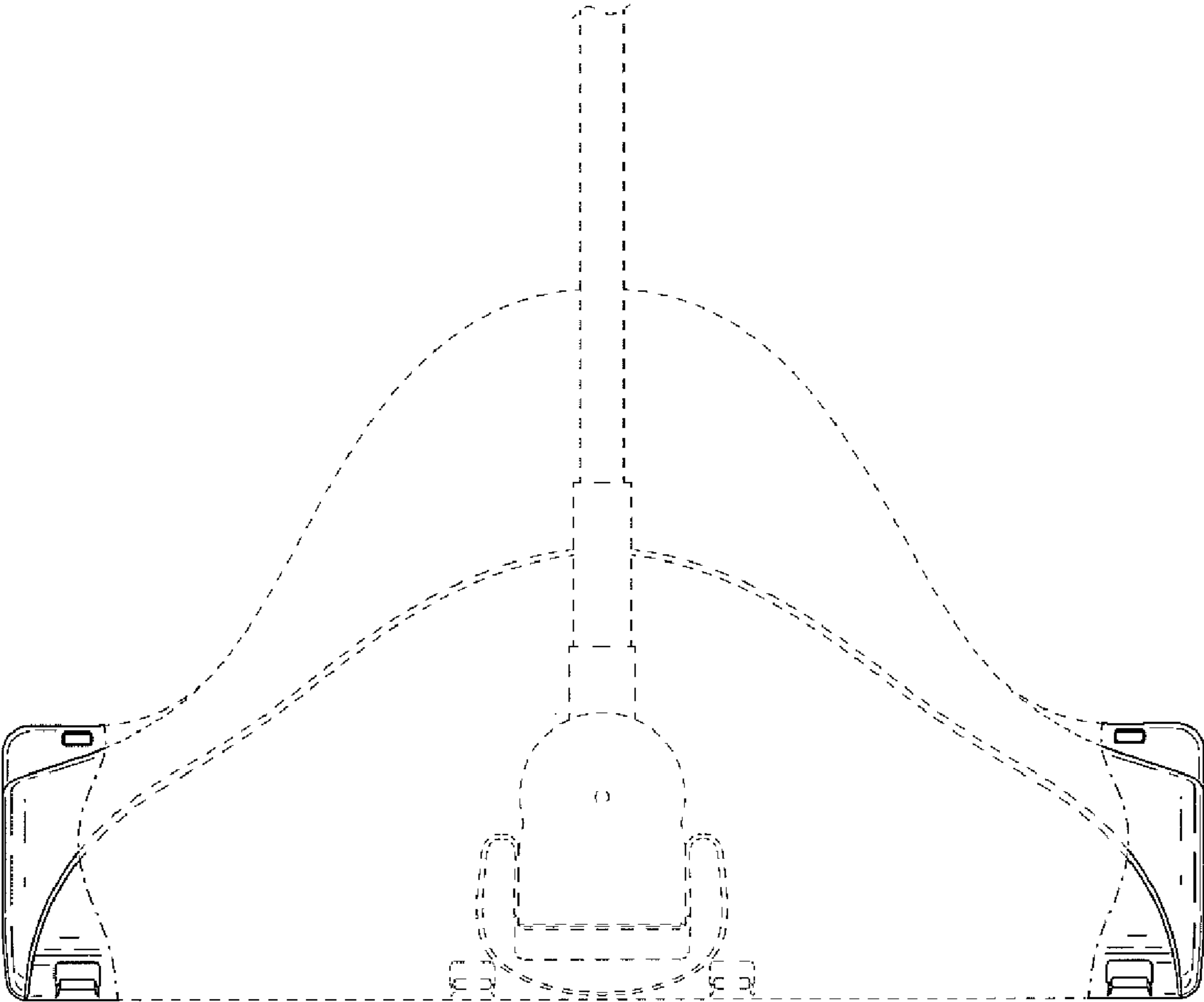
The broken lines shown in the drawings illustrate unclaimed portions of the article and form no part of the claimed design. The dashed-dot lines immediately adjacent to the shaded areas represent the bounds of the claim and form no part thereof.

**1 Claim, 5 Drawing Sheets**

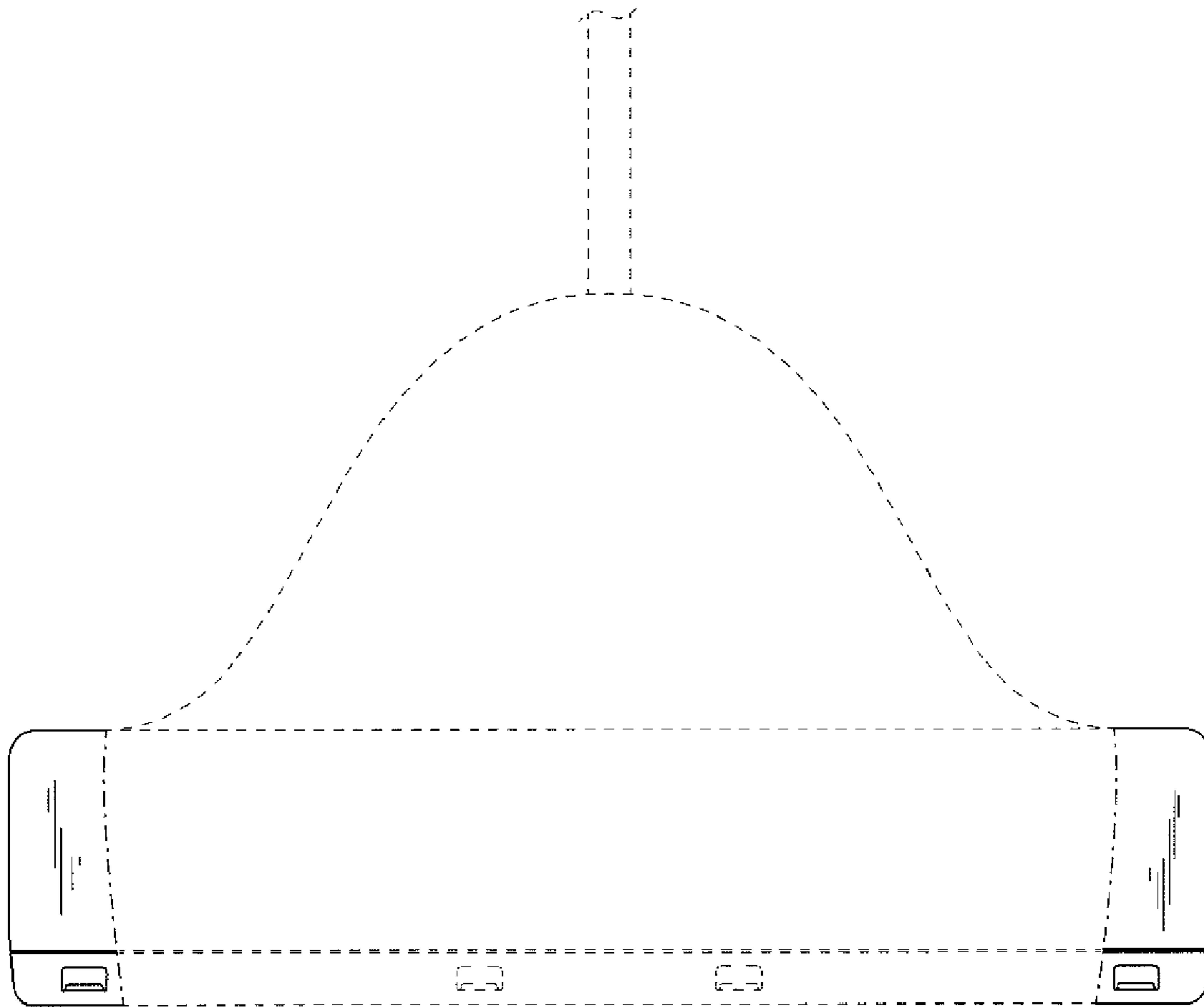




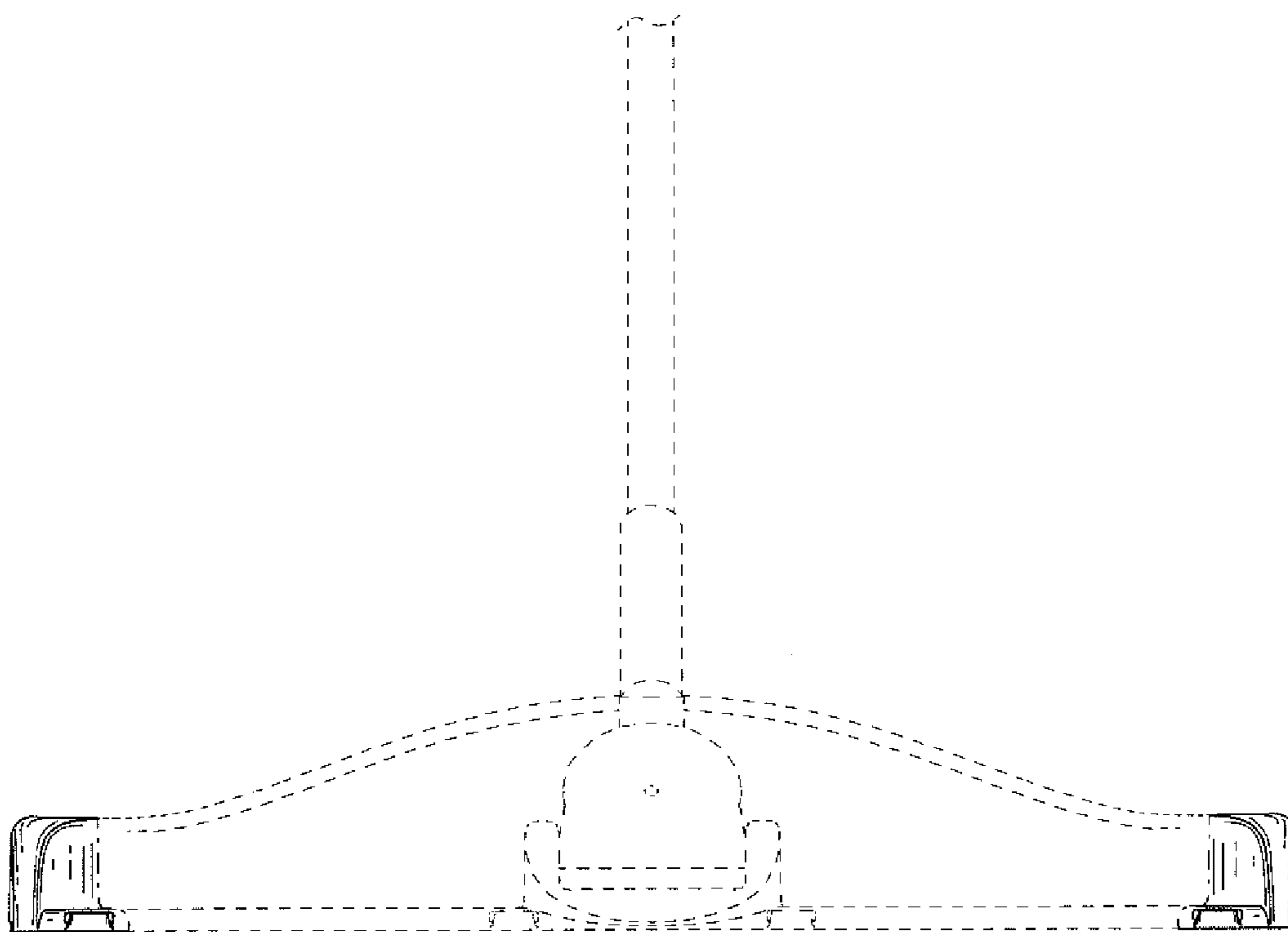
**FIG. 1**



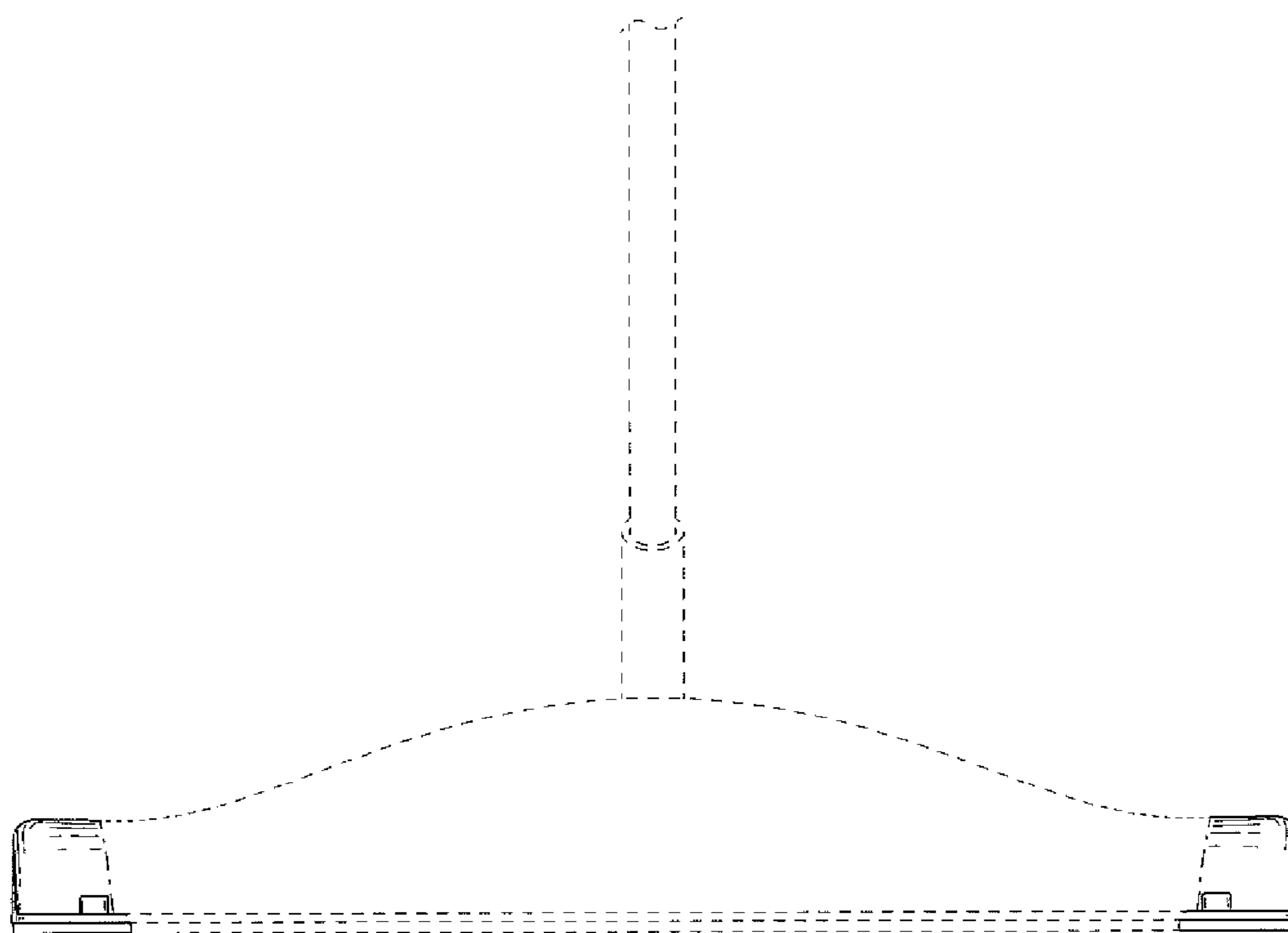
**FIG. 2**



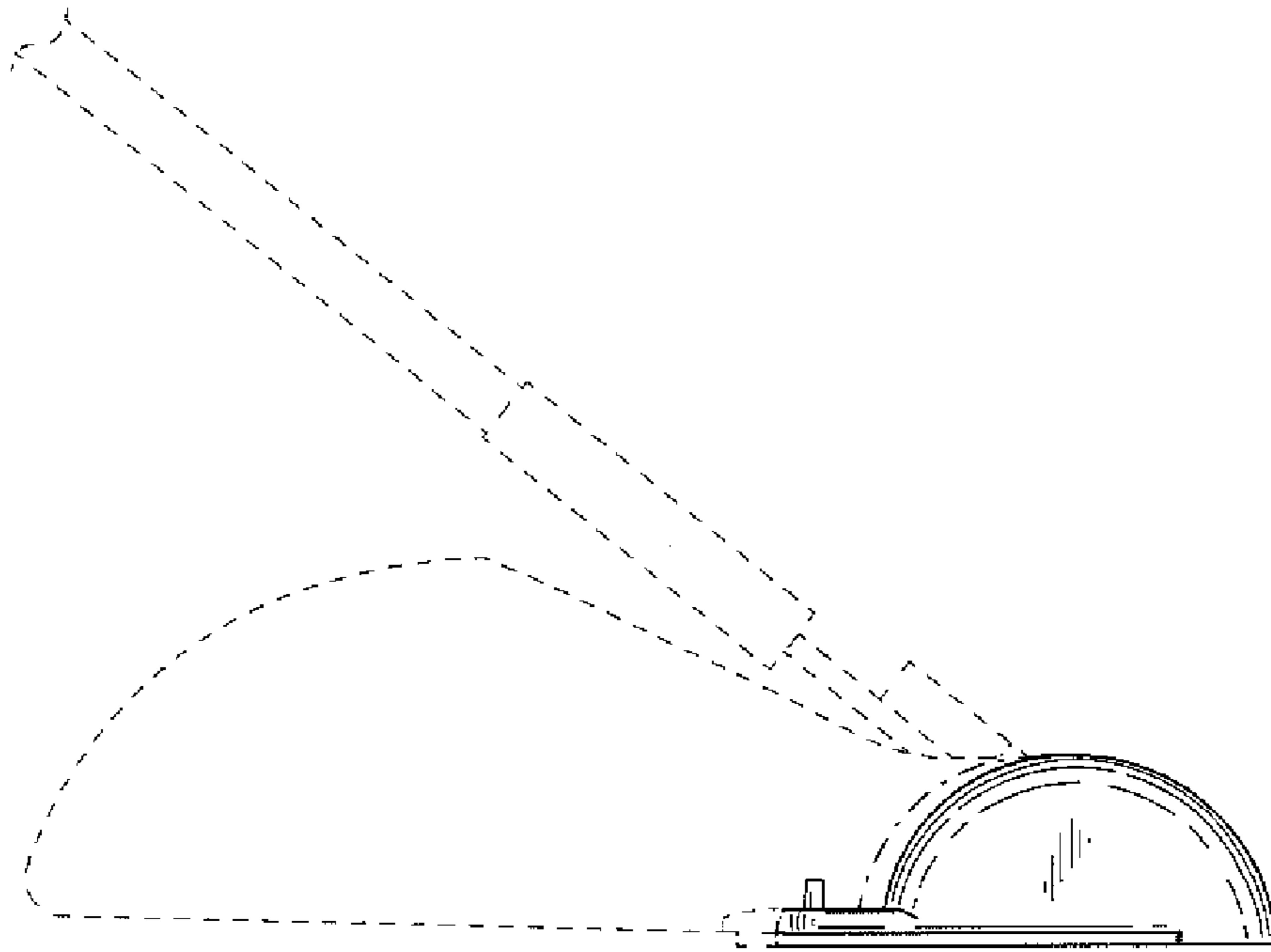
**FIG. 3**



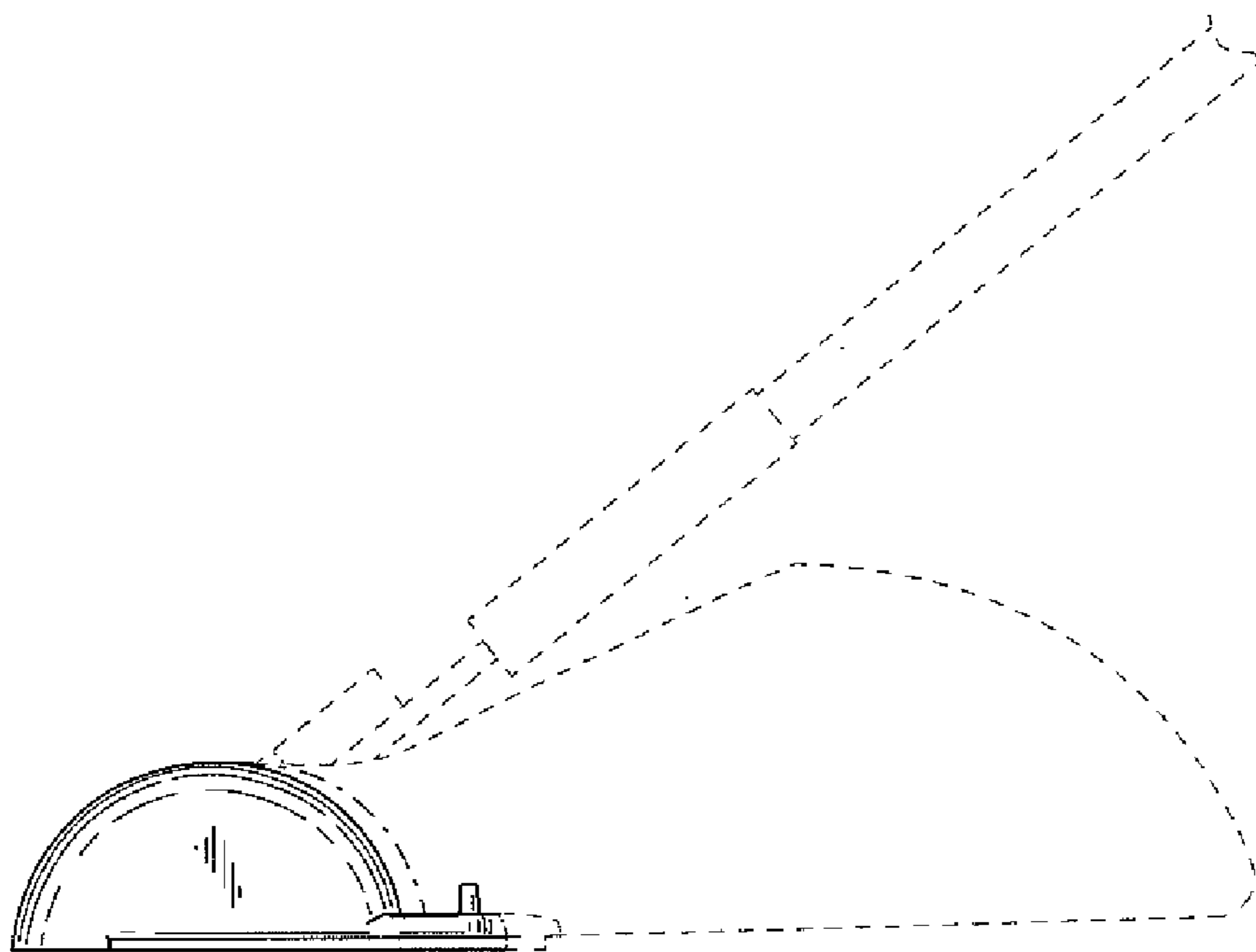
**FIG. 4**



**FIG. 5**



**FIG. 6**



**FIG. 7**

UNITED STATES PATENT AND TRADEMARK OFFICE  
**CERTIFICATE OF CORRECTION**

PATENT NO. : Des. 564,163 S  
APPLICATION NO. : 29/282377  
DATED : March 11, 2008  
INVENTOR(S) : Haim Bar-Noy et al.

Page 1 of 1

It is certified that error appears in the above-identified patent and that said Letters Patent is hereby corrected as shown below:

On the Title Page, Item (56)  
Under (56) References Cited

The last reference

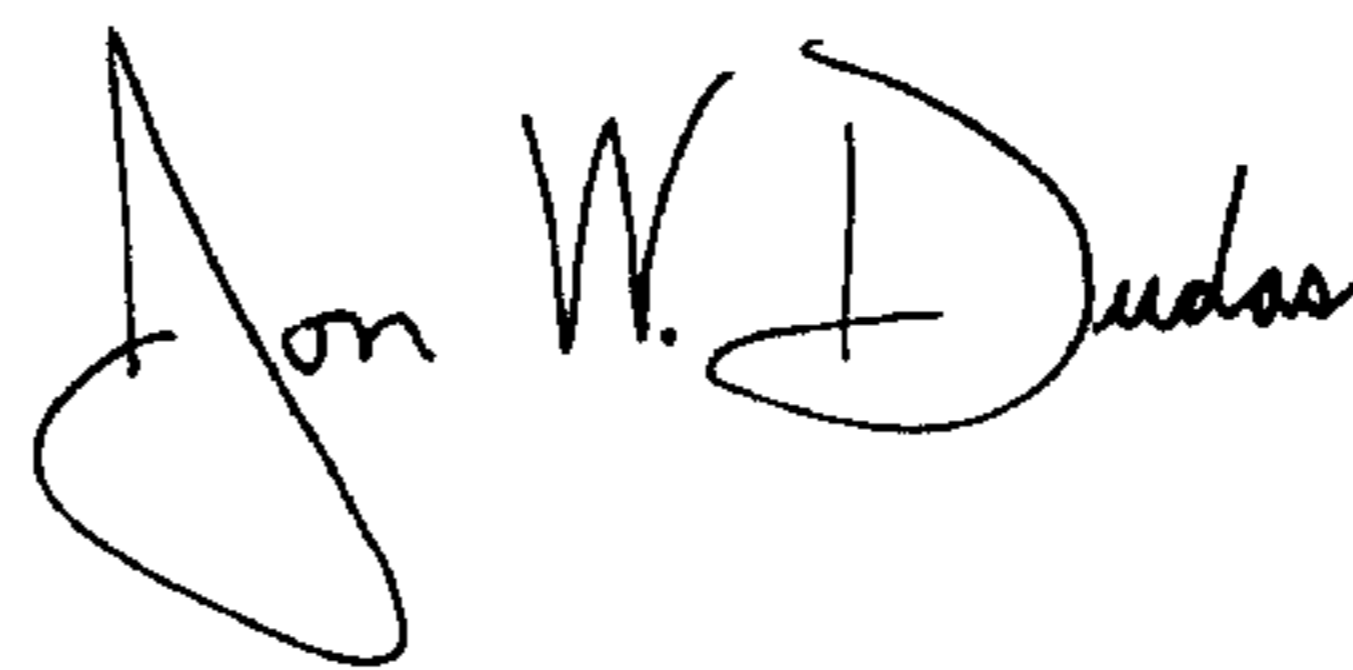
2005/0155327 A1 7/2005 Bober et al. 134/6

should be

2005/0155627 A1 7/2005 Bober et al. 134/6

Signed and Sealed this

Sixteenth Day of September, 2008



JON W. DUDAS

*Director of the United States Patent and Trademark Office*