

US00D564162S

(12) **United States Design Patent**
Cheng

(10) **Patent No.:** **US D564,162 S**
(45) **Date of Patent:** **** Mar. 11, 2008**

(54) **MOP DEVICE**

(75) Inventor: **Jen-Hua Cheng**, Chengdu (CN)

(73) Assignee: **Chen-Ching Tseng**, Miaoli (TW)

(**) Term: **14 Years**

(21) Appl. No.: **29/281,464**

(22) Filed: **Jun. 24, 2007**

(51) **LOC (8) Cl.** **04-01**

(52) **U.S. Cl.** **D32/50**

(58) **Field of Classification Search** D32/40,
D32/50-51, 44-45; 15/116.1-116.2, 119.2,
15/228, 147.1-147.2, 150, 209.1, 210.1;
401/137-140

See application file for complete search history.

(56) **References Cited**

U.S. PATENT DOCUMENTS

3,289,233 A * 12/1966 Smyth et al. 15/116.1
D280,769 S * 9/1985 Johnson et al. D32/44
D389,625 S * 1/1998 Feldman et al. D32/49

D420,775 S * 2/2000 Petner D32/51
6,305,042 B1 * 10/2001 Lalli 15/119.2
6,336,240 B1 * 1/2002 Laux et al. 15/104.94
6,854,149 B1 * 2/2005 Specht et al. 15/119.2

* cited by examiner

Primary Examiner—Pamela J. Burgess

(57) **CLAIM**

The ornamental design for a mop device, as shown.

DESCRIPTION

FIG. 1 is a front right perspective view of a mop device showing my new design;

FIG. 2 is a front elevational view thereof;

FIG. 3 is a rear elevational view thereof;

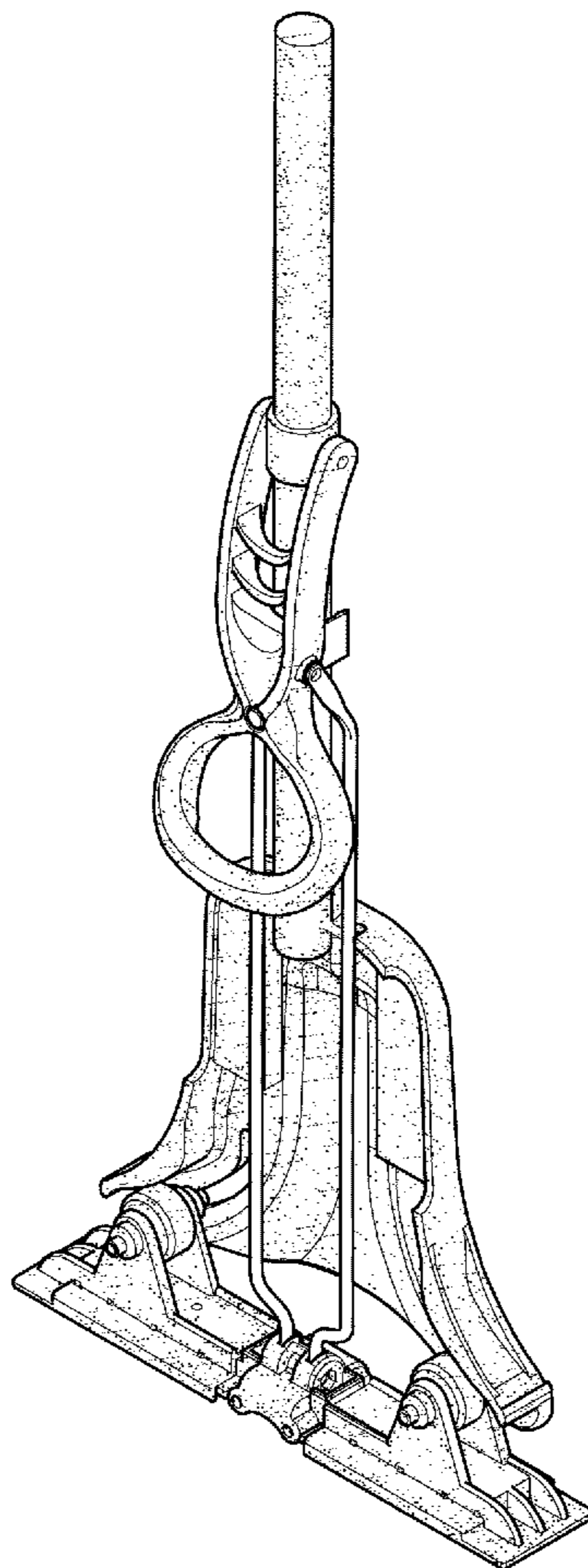
FIG. 4 is a left side elevation view thereof;

FIG. 5 is a right side elevation view thereof;

FIG. 6 is a top plan view thereof; and,

FIG. 7 is a bottom plan view thereof.

1 Claim, 7 Drawing Sheets



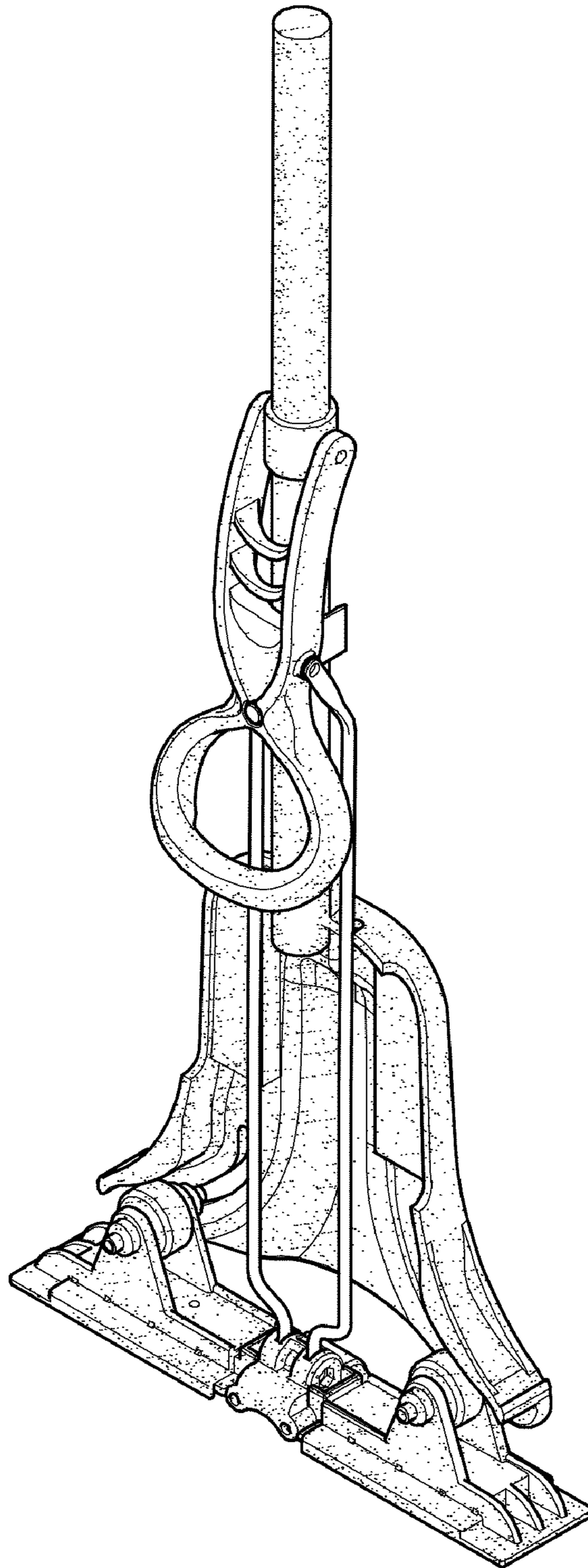


Fig. 1

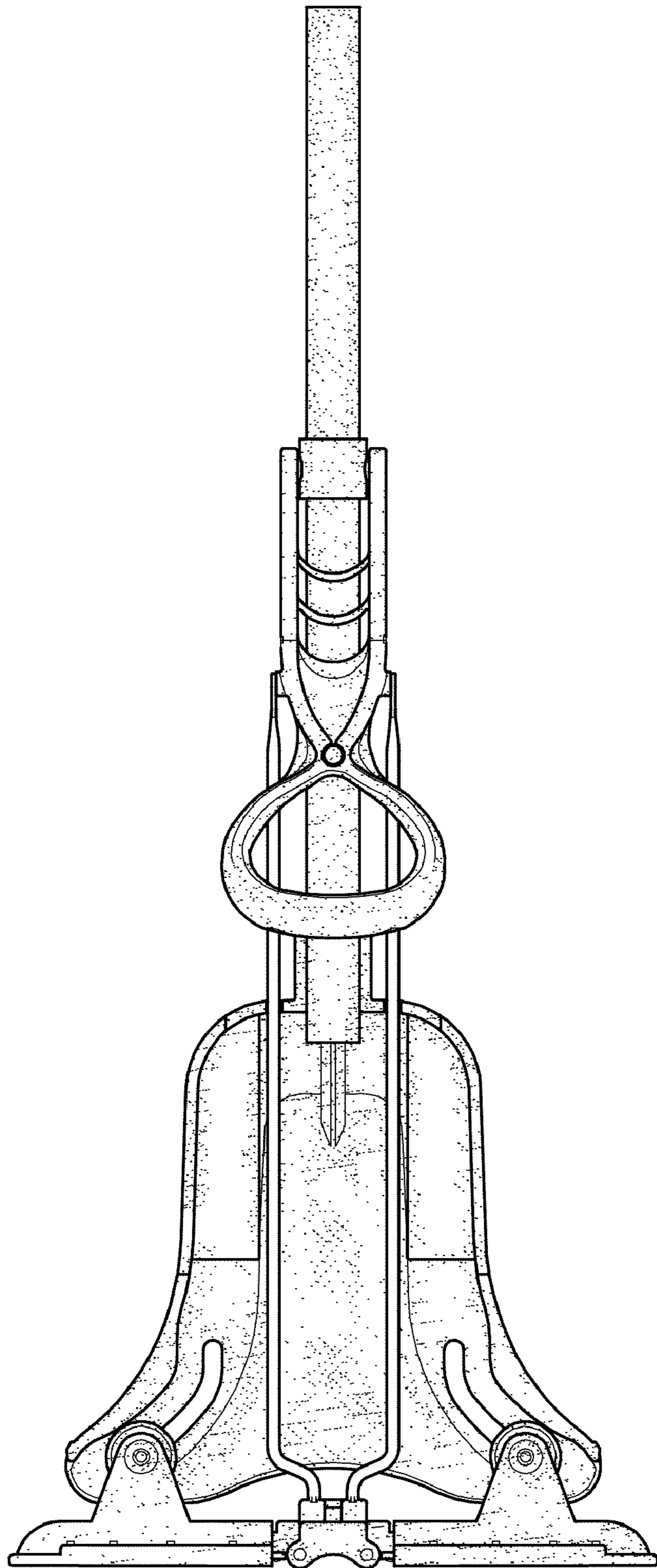


Fig. 2

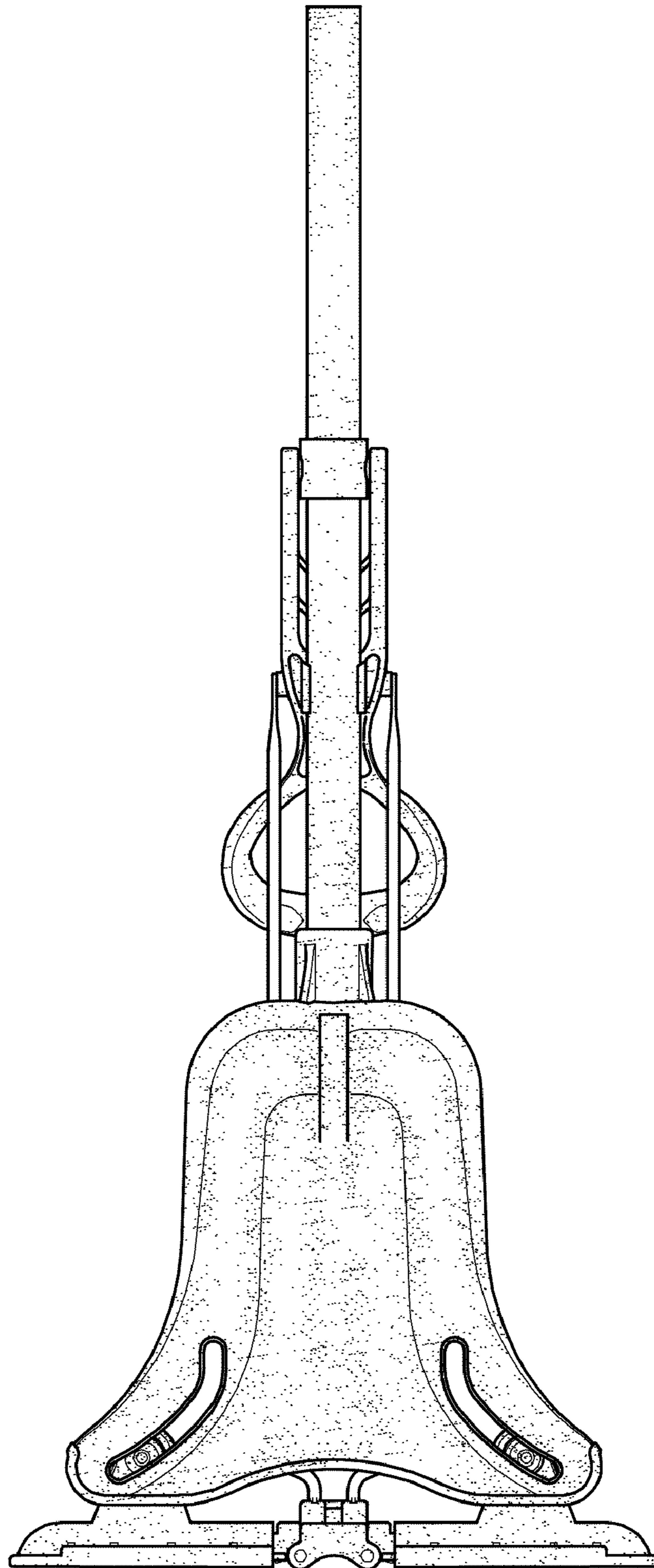


Fig. 3

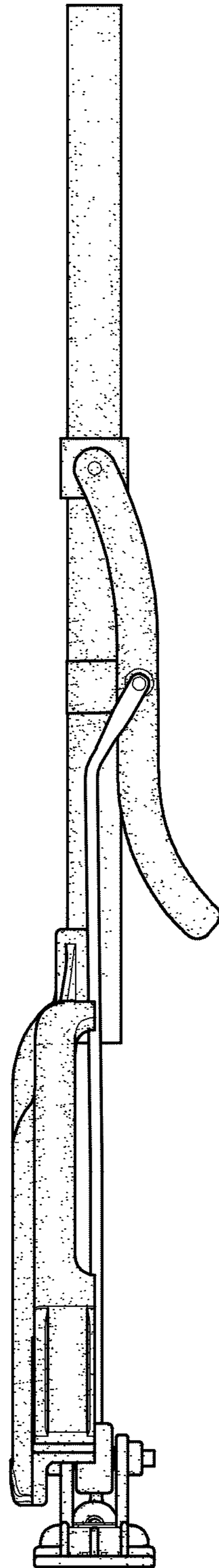


Fig. 4

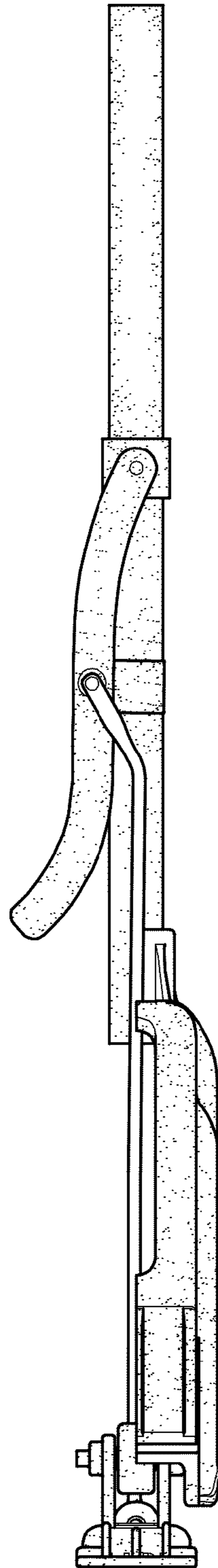


Fig. 5

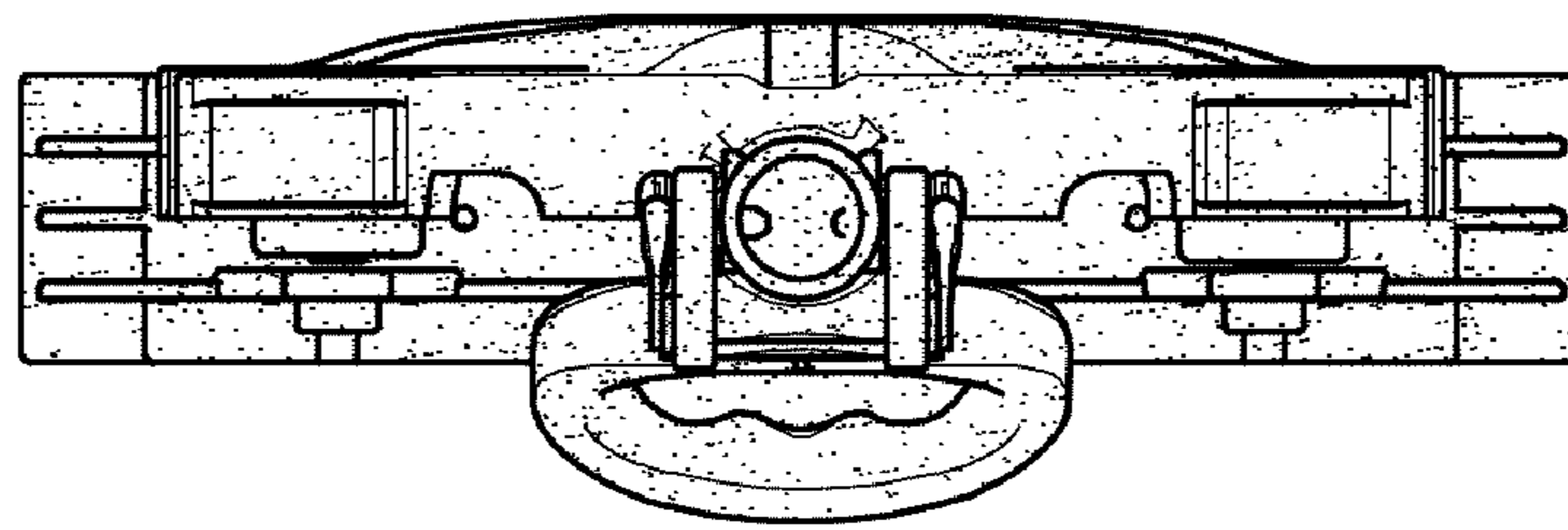


Fig. 6

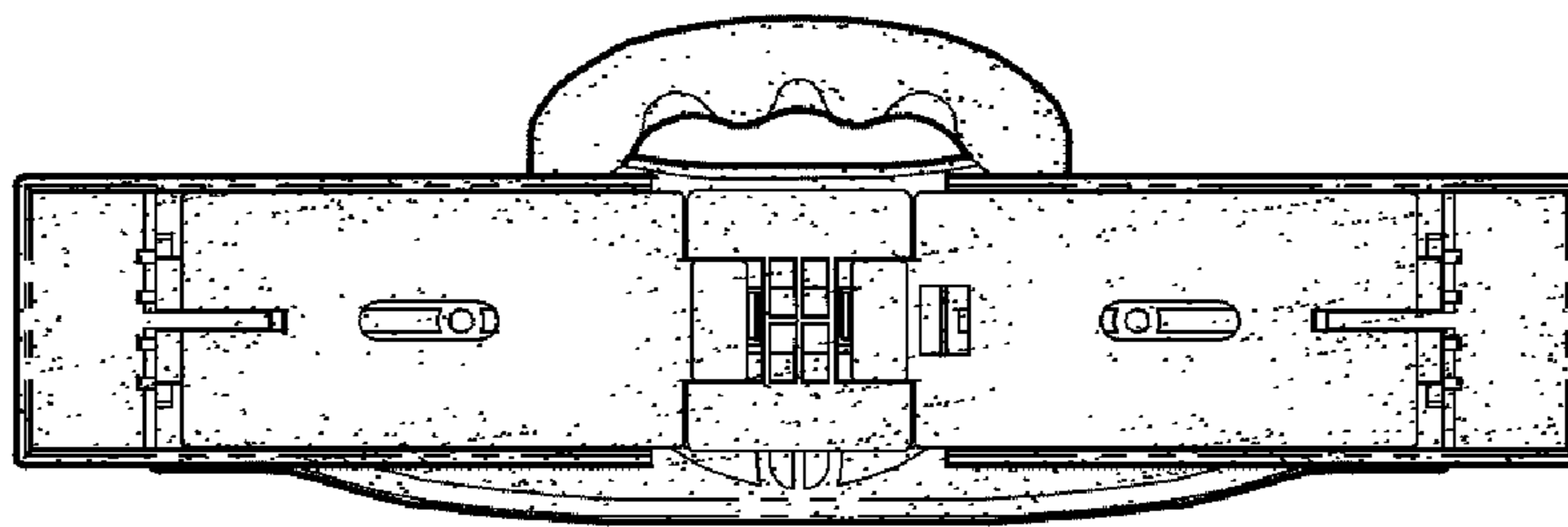


Fig. 7