



US00D564159S

(12) **United States Design Patent**  
**Konno et al.**

(10) **Patent No.: US D564,159 S**  
(45) **Date of Patent: \*\* Mar. 11, 2008**

(54) **NOZZLE FOR ELECTRIC VACUUM CLEANER**

(75) Inventors: **Kiyaoki Konno**, Osaka (JP); **Masakazu Umeda**, Osaka (JP); **Syuuichi Hosoda**, Osaka (JP); **Taro Iike**, Osaka (JP); **Morgan Brown**, Danville, KY (US)

(73) Assignee: **Matsushita Electric Industrial Co., Ltd.**, Kadoma-shi (JP)

(\*\*) Term: **14 Years**

(21) Appl. No.: **29/277,481**

(22) Filed: **Feb. 27, 2007**

(51) **LOC (8) Cl.** ..... **15-05**

(52) **U.S. Cl.** ..... **D32/32**

(58) **Field of Classification Search** ..... 15/321–322, 15/325, 329, 340.3, 89, 340.4, 90, 344, 361, 15/350–351, 362, 412, 246.2, 250; D32/21–23, D32/31–34, 38–39

See application file for complete search history.

(56) **References Cited**

**U.S. PATENT DOCUMENTS**

5,551,120	A *	9/1996	Cipolla et al. ....	15/333
D423,741	S	4/2000	Sato	
D431,698	S	10/2000	Hoshide	
D462,816	S	9/2002	Rosa	
6,571,425	B2 *	6/2003	Vystrcil et al. ....	15/412
D485,026	S	1/2004	Brown	
D487,827	S	3/2004	Iike	
D487,828	S	3/2004	Iike	
D487,948	S	3/2004	Kent	
D498,029	S	11/2004	Downey	
D499,850	S	12/2004	Leyden	

D506,047	S	6/2005	Alford	
D506,048	S	6/2005	Downey	
D508,153	S *	8/2005	Alford et al. ....	D32/32
D510,465	S *	10/2005	Takahashi et al. ....	D32/22
D515,757	S *	2/2006	Leyden ....	D32/32
D516,760	S *	3/2006	Choi ....	D32/22
D519,250	S *	4/2006	Leyden ....	D32/22
D521,199	S	5/2006	Leyden	
D533,697	S *	12/2006	Ikeno et al. ....	D32/22
D535,071	S *	1/2007	Choi ....	D32/22
D541,498	S *	4/2007	Moine et al. ....	D32/32
D544,663	S *	6/2007	Medema et al. ....	D32/32
D553,314	S *	10/2007	Parr et al. ....	D32/32

\* cited by examiner

*Primary Examiner*—Sandra Snapp

(74) *Attorney, Agent, or Firm*—Christensen O'Connor Johnson Kindness PLLC

(57) **CLAIM**

The ornamental design for a nozzle for electric vacuum cleaner, as shown and described.

**DESCRIPTION**

FIG. 1 is a perspective view of the top, front and right side of a nozzle for electric vacuum cleaner showing our new design;

FIG. 2 is a front view thereof;

FIG. 3 is a top plan view thereof;

FIG. 4 is a left side view thereof;

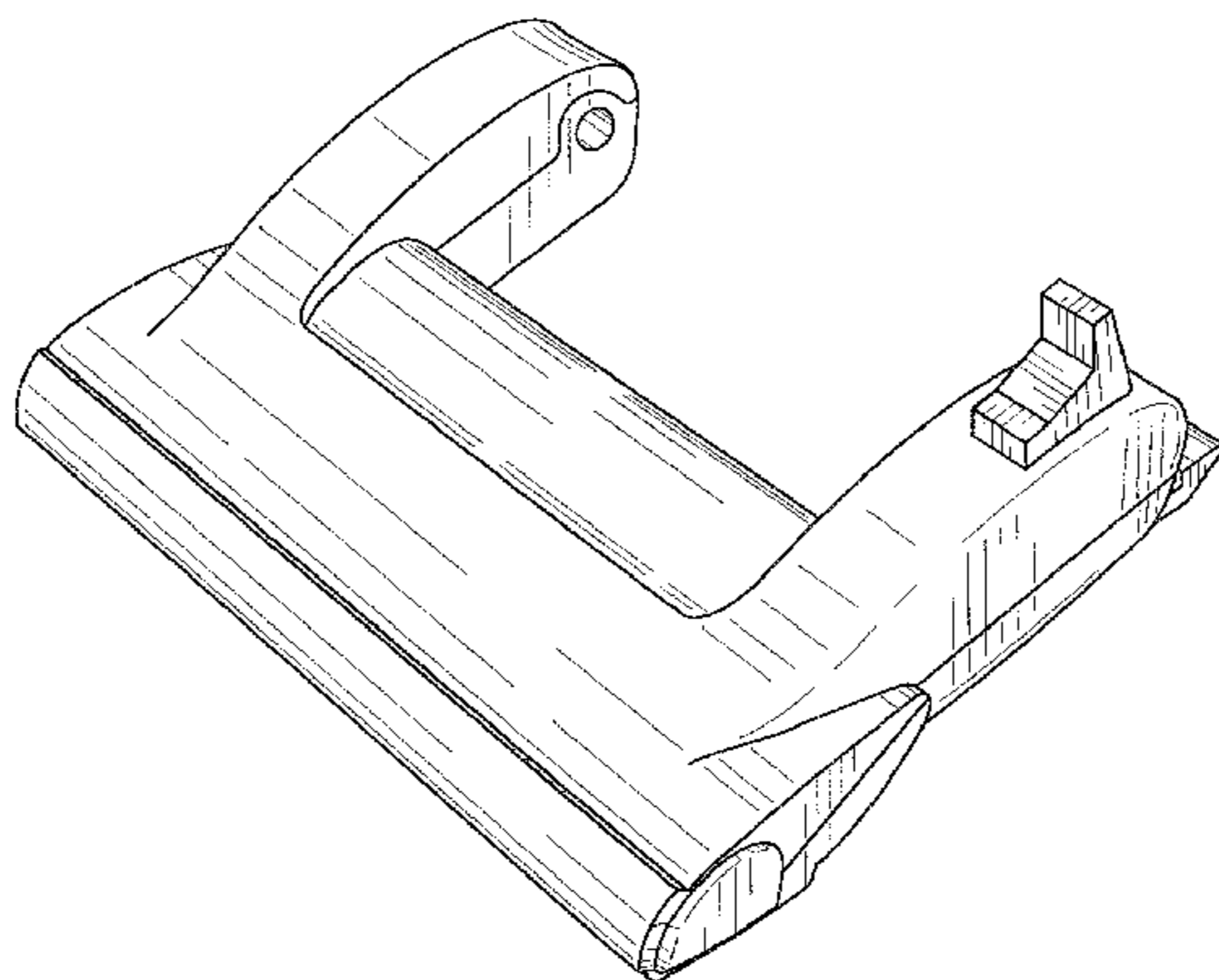
FIG. 5 is a right side view thereof;

FIG. 6 is a rear view thereof; and,

FIG. 7 is a bottom view thereof.

**1 Claim, 4 Drawing Sheets**

斜視圖  
Reference View



斜視圖  
Reference View

FIG.1

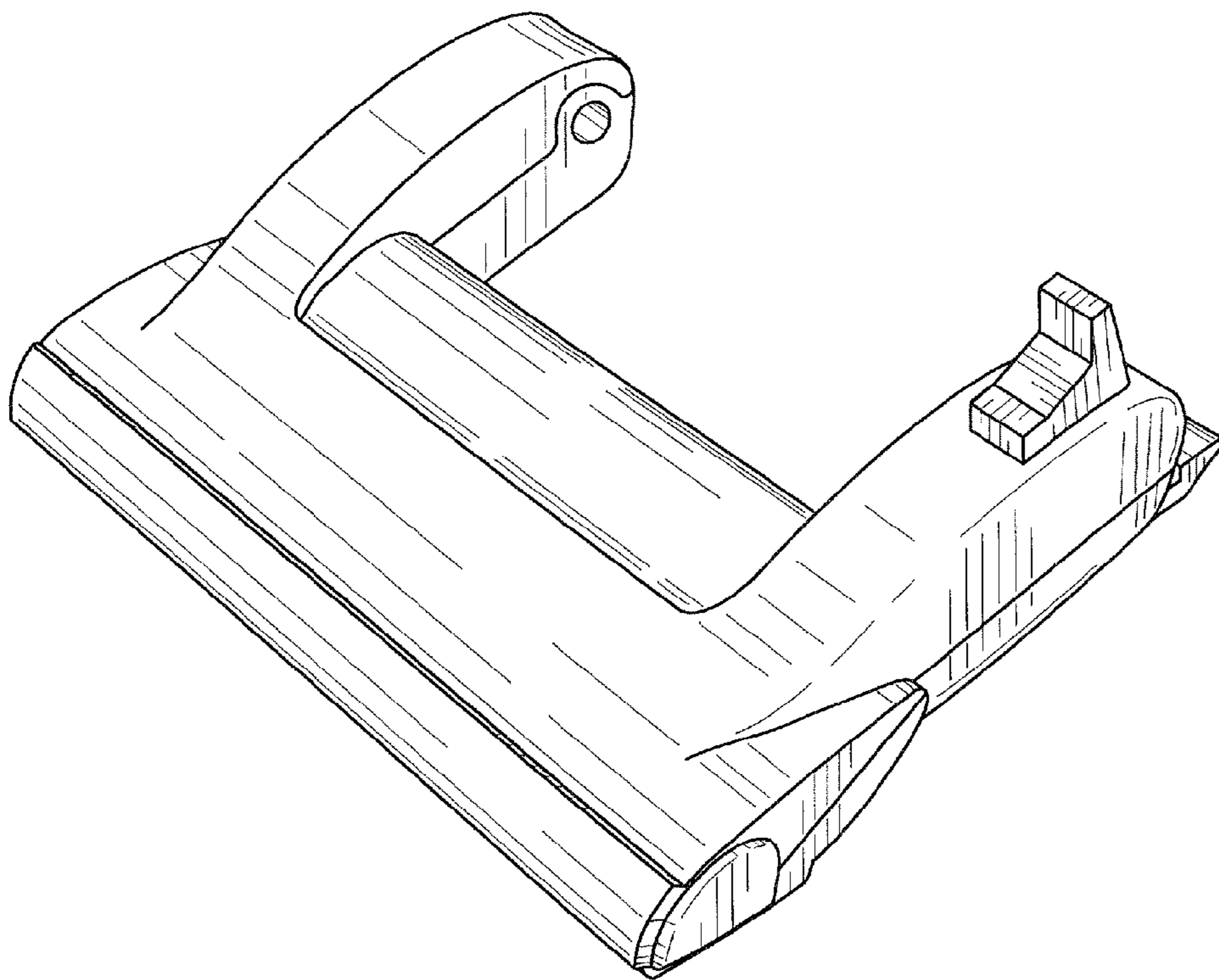


FIG.2

正面図  
Front View

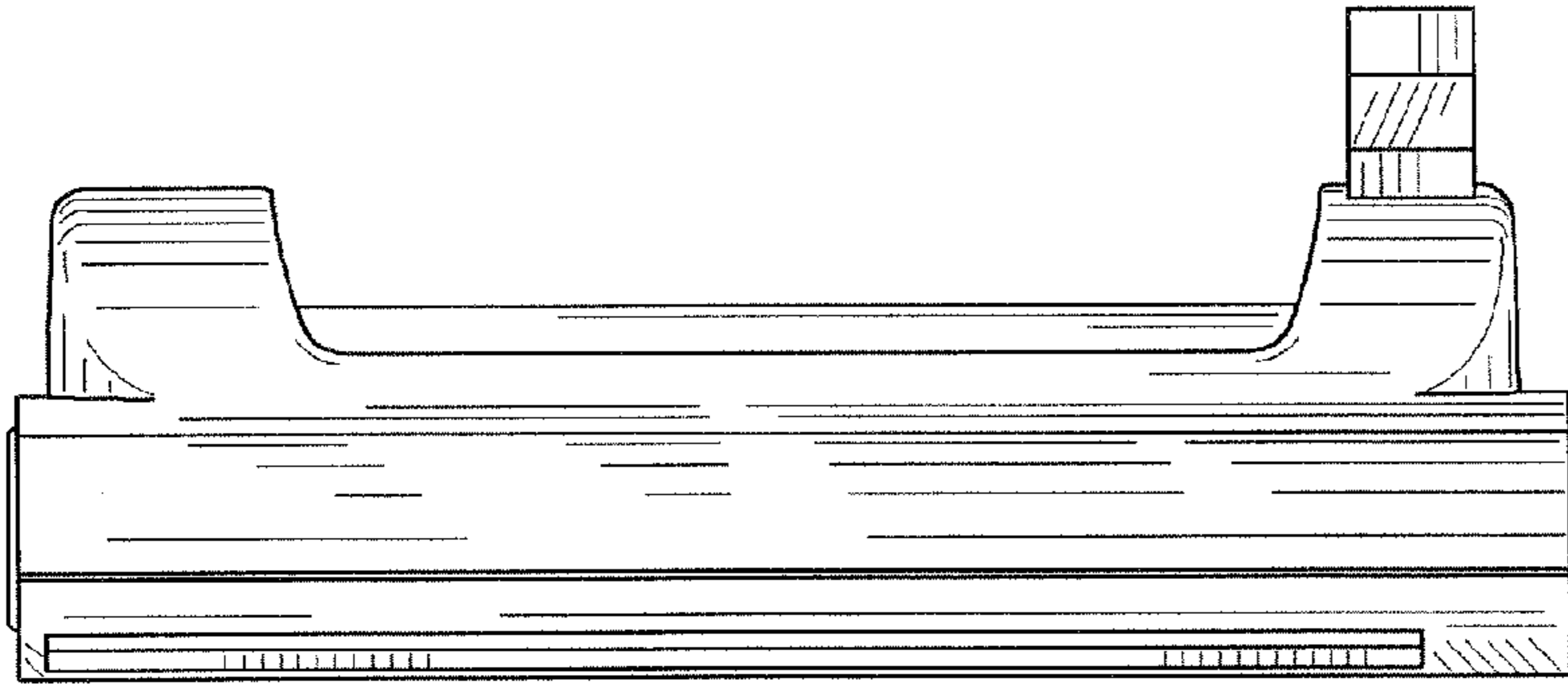


FIG.3

平面図  
Top View

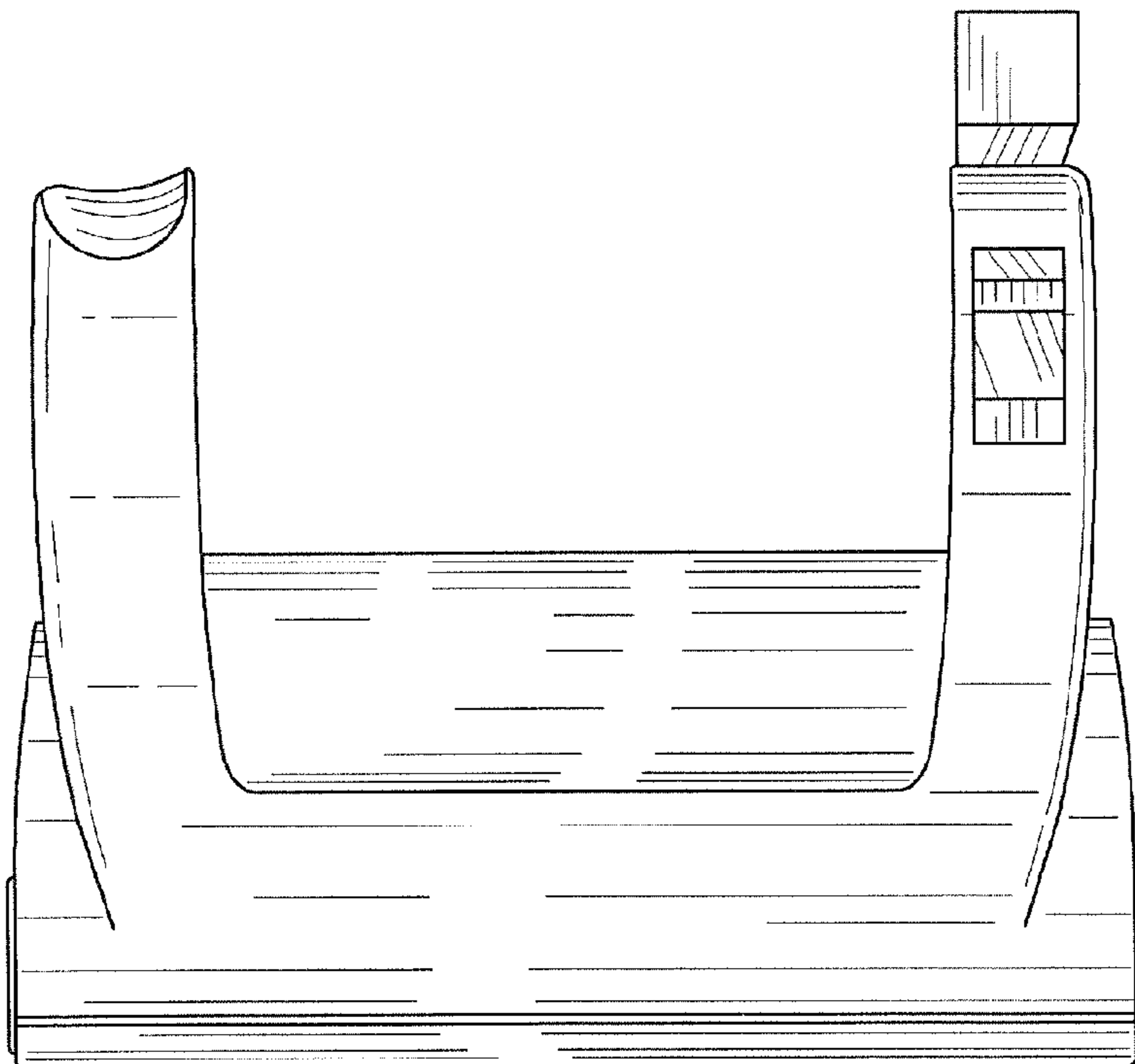


FIG.4

左側面図  
Left Side View

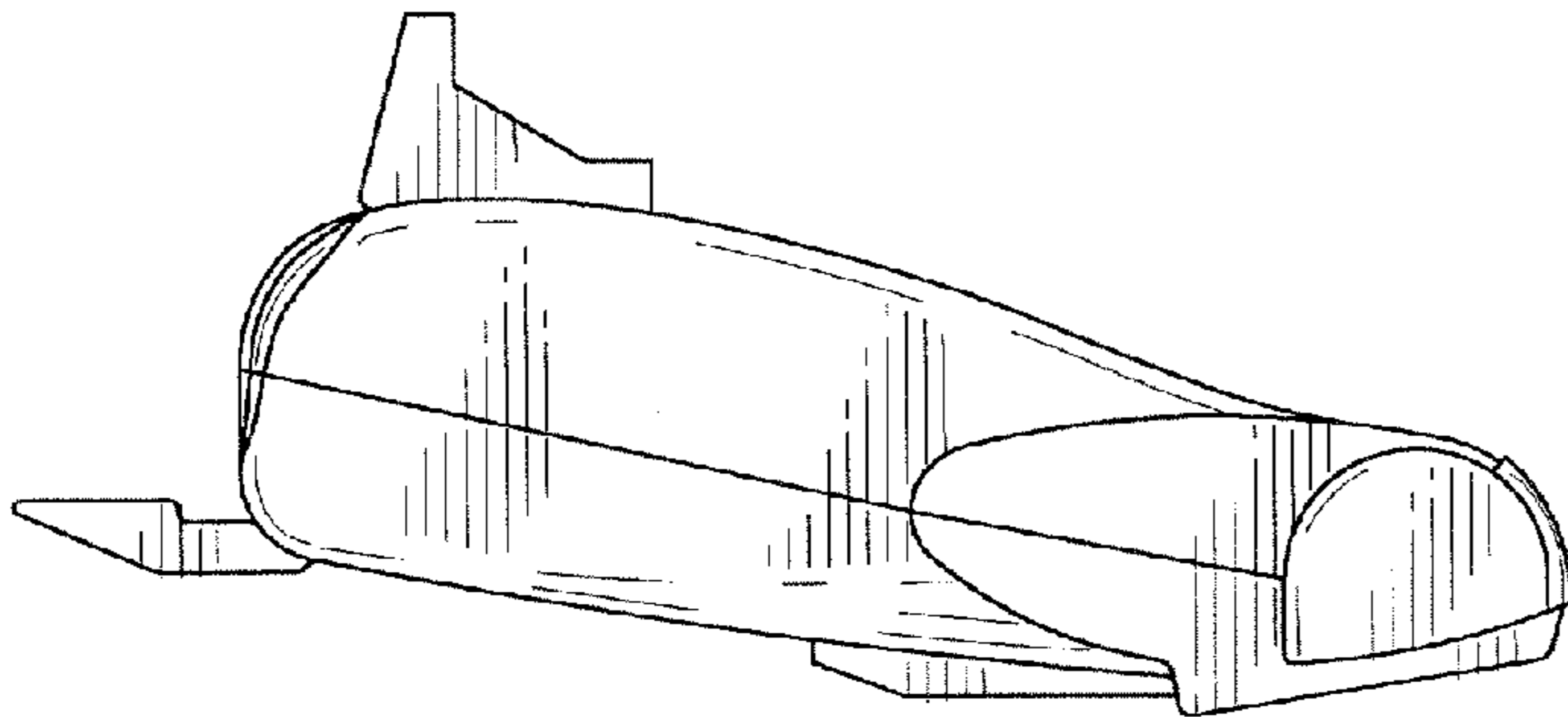


FIG.5

右側面図  
Right Side View

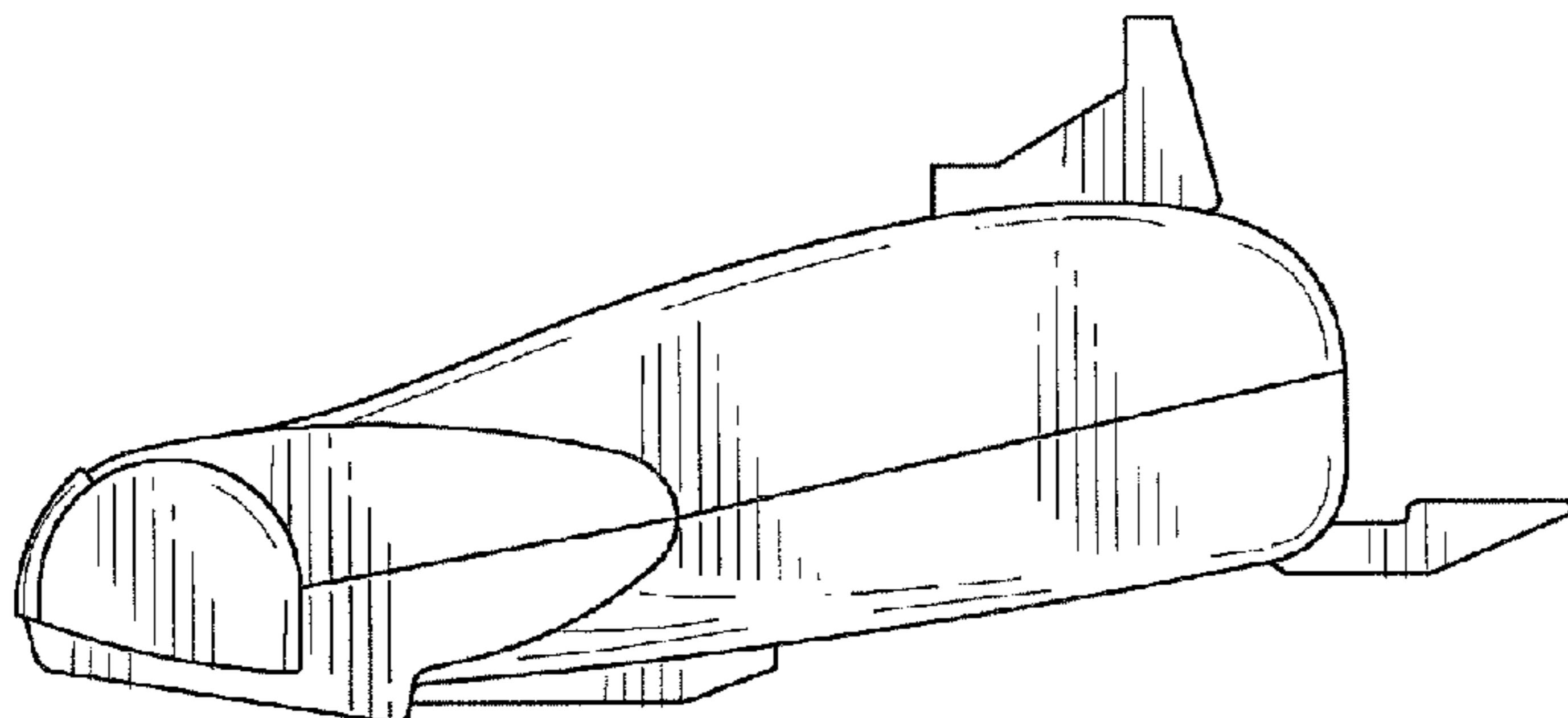


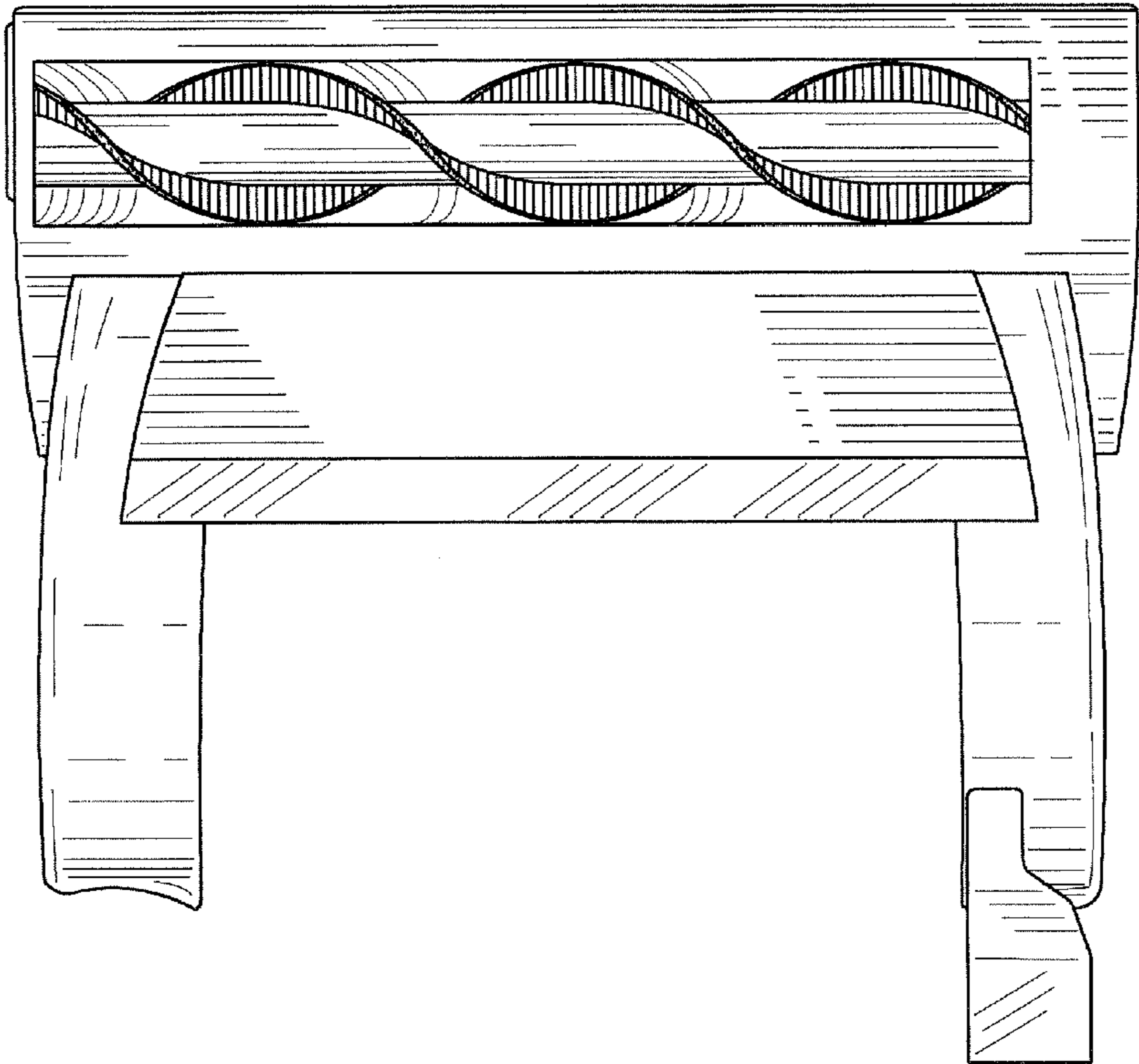
FIG.6

背面図  
Rear View



FIG.7

底面図  
Bottom View





UNITED STATES PATENT AND TRADEMARK OFFICE  
**CERTIFICATE OF CORRECTION**

PATENT NO. : Des. 564,159 S  
APPLICATION NO. : 29/277481  
DATED : March 11, 2008  
INVENTOR(S) : K. Konno et al.

Page 1 of 1

It is certified that error appears in the above-identified patent and that said Letters Patent is hereby corrected as shown below:

Title Page, Item (75) Inventors: **“Kiyaoki”** should read **--Kiyooki--**

Signed and Sealed this

Twenty-third Day of June, 2009



JOHN DOLL

*Acting Director of the United States Patent and Trademark Office*