

US00D564158S

(12) **United States Design Patent**
Crevling, Jr. et al.

(10) **Patent No.: US D564,158 S**

(45) **Date of Patent: ** Mar. 11, 2008**

(54) **CANISTER VACUUM**

(75) Inventors: **Robert L. Crevling, Jr.**, Williamsport, PA (US); **John Griffin**, Phoenix, AZ (US)

(73) Assignee: **Shop Vac Corporation**, Williamsport, PA (US)

(**) Term: **14 Years**

(21) Appl. No.: **29/237,108**

(22) Filed: **Aug. 25, 2005**

(51) **LOC (8) Cl.** **15-05**

(52) **U.S. Cl.** **D32/32**

(58) **Field of Classification Search** D32/1, D32/4, 15, 17-18, 21, 23-24, 31, 34; 15/301, 15/314-315, 319, 320-322, 340.1, 323, 327.1, 15/327.6, 327.7, 335, 344-345, 347, 353, 15/355, 388, 410-412, 414, 415.1, 429; D23/225; 68/222; 134/18; 700/245; 701/23
See application file for complete search history.

(56) **References Cited**

U.S. PATENT DOCUMENTS

D326,938 S *	6/1992	Burns	D32/32
D381,780 S *	7/1997	Summers et al.	D32/33
D449,724 S *	10/2001	Nighy et al.	D32/32
D456,967 S *	5/2002	Santiago	D32/32
D457,696 S *	5/2002	Worwag	D32/32
D473,687 S *	4/2003	Kaffenberger	D32/33
D507,854 S *	7/2005	Kim	D32/32
D518,932 S *	4/2006	Maruyama et al.	D32/32

D524,002 S * 6/2006 Worwag D32/32
2005/0246857 A1 * 11/2005 Omoto et al. 15/366

* cited by examiner

Primary Examiner—Ruth McInroy

(74) *Attorney, Agent, or Firm*—Marshall, Gerstein & Borun LLP

(57) **CLAIM**

The ornamental design for a canister vacuum, as shown and described.

DESCRIPTION

FIG. 1 is a perspective view of a canister vacuum showing our new design, the details shown in broken lines form no part of the claimed design.

FIG. 2 is a right-side perspective view thereof;

FIG. 3 is a left-side perspective view thereof;

FIG. 4 is a left-side perspective view thereof;

FIG. 5 is a rear elevational view thereof;

FIG. 6 is a right-side perspective view thereof;

FIG. 7 is a top perspective thereof; and,

FIG. 8 is a front elevational view thereof.

The canister base seen in FIG. 1, the wording that appears in the photographs, and the mounting recess in FIGS. 3 and 4 form no part of the claimed design.

The broken lines are for illustrative purposes only and form no part of the claimed design.

1 Claim, 8 Drawing Sheets

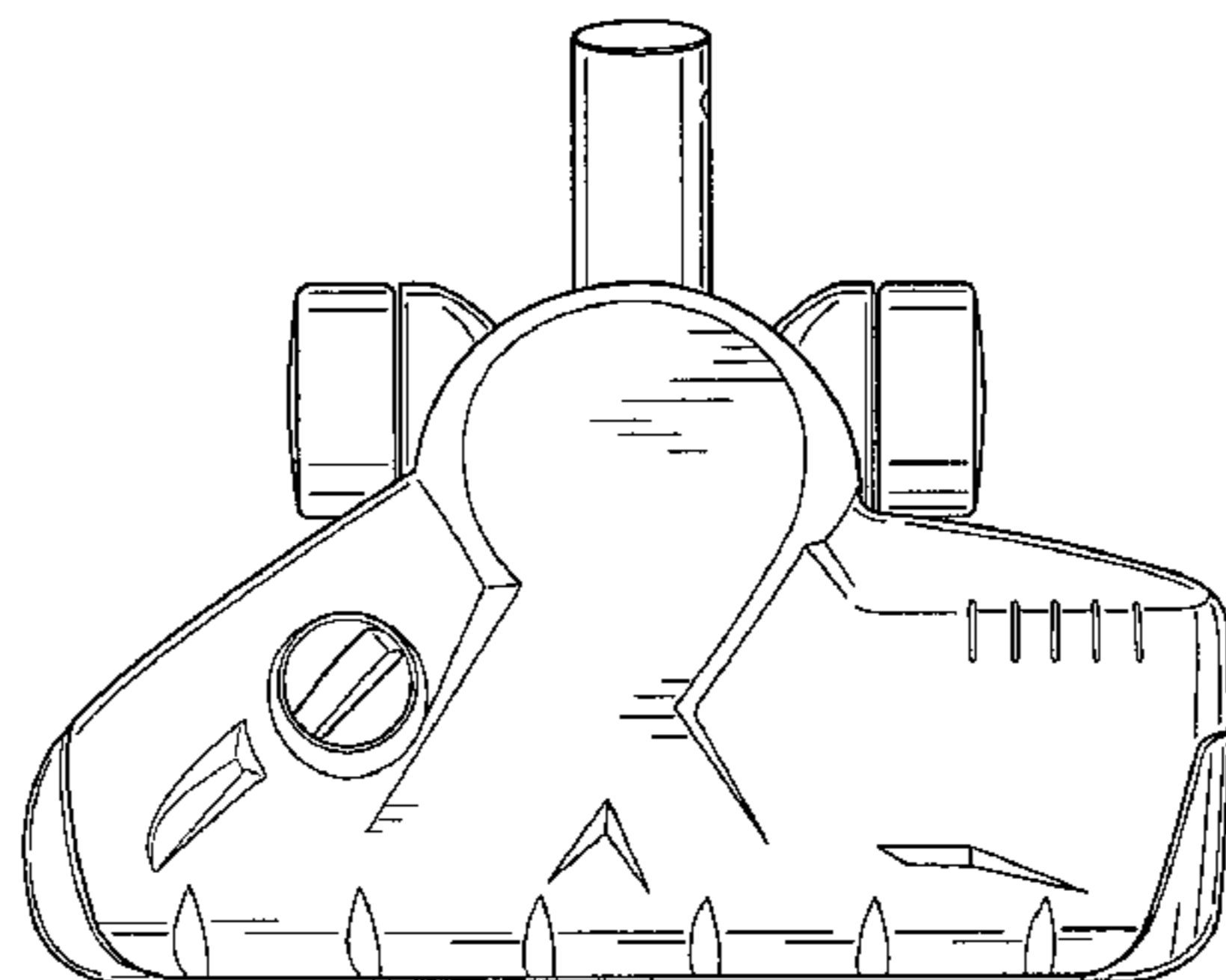
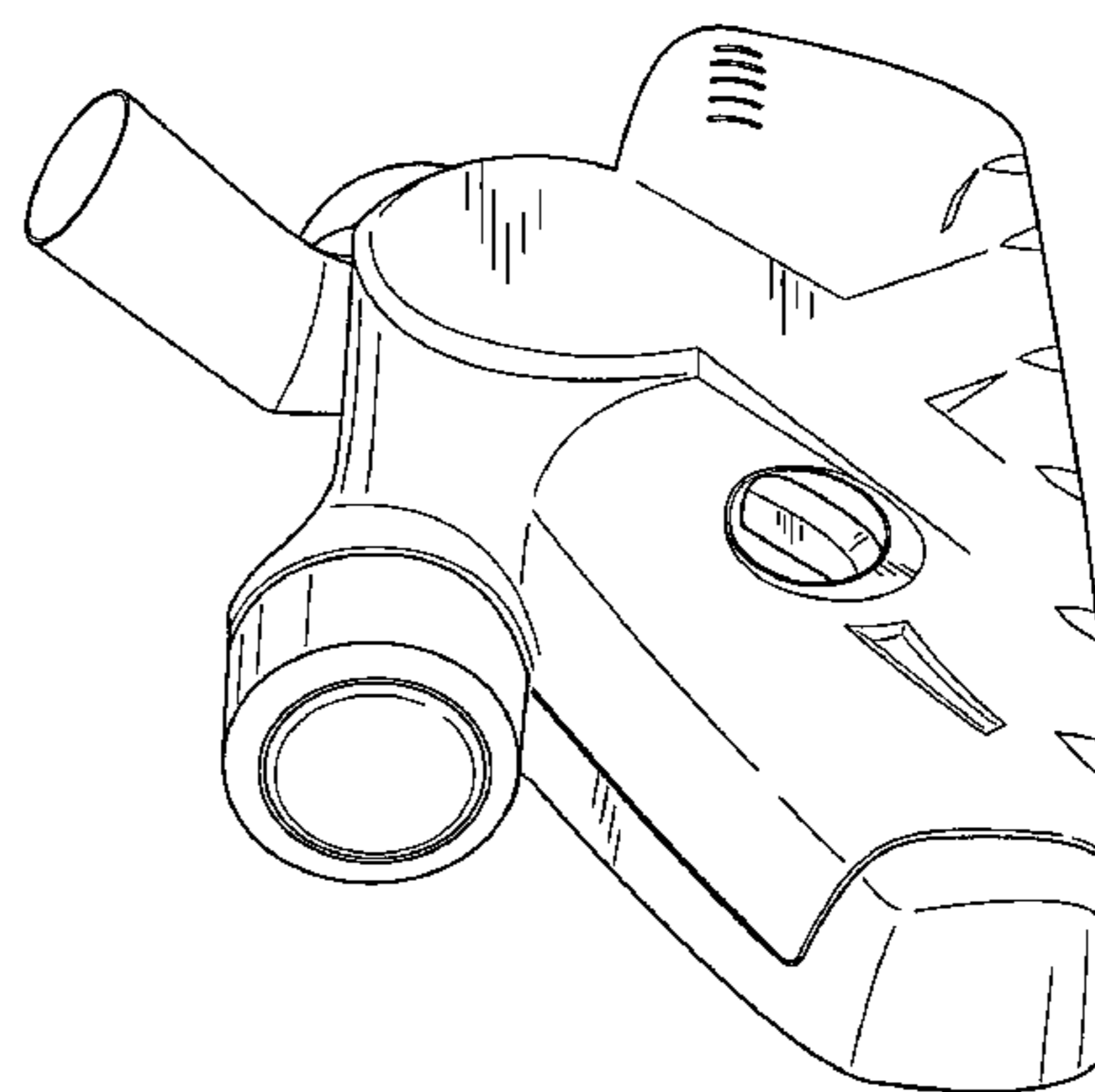
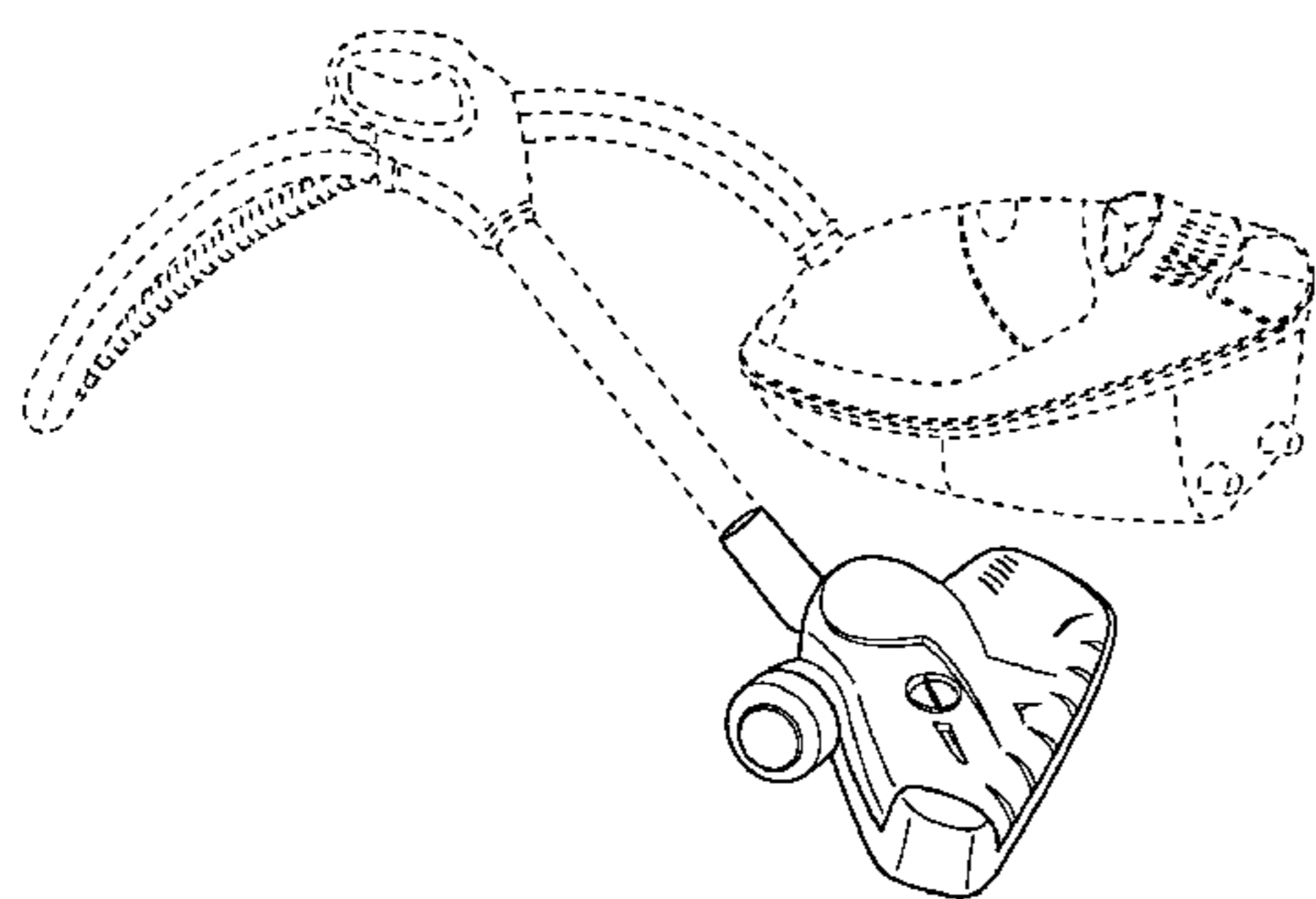


FIG. 1

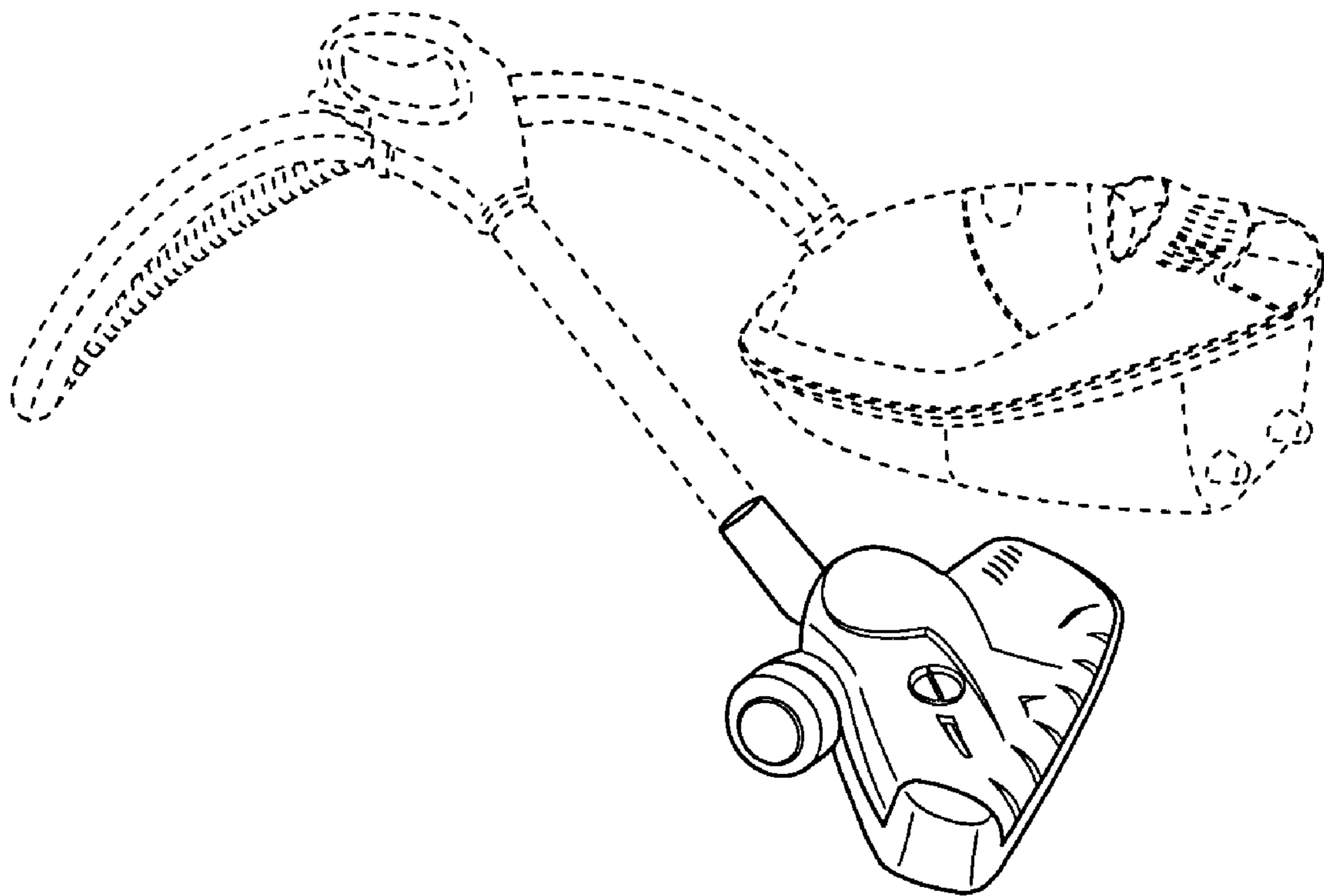


FIG. 2

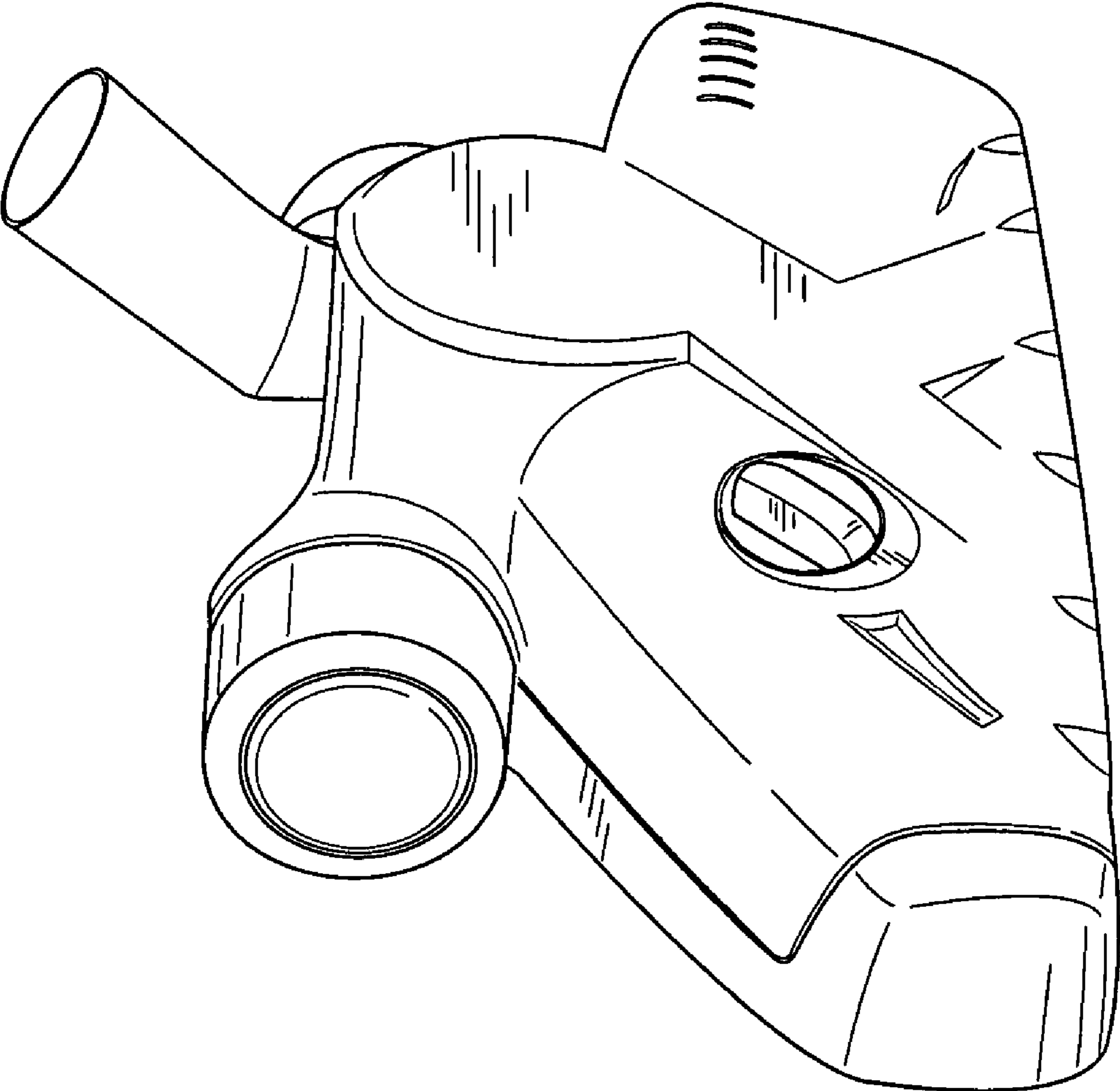


FIG. 3

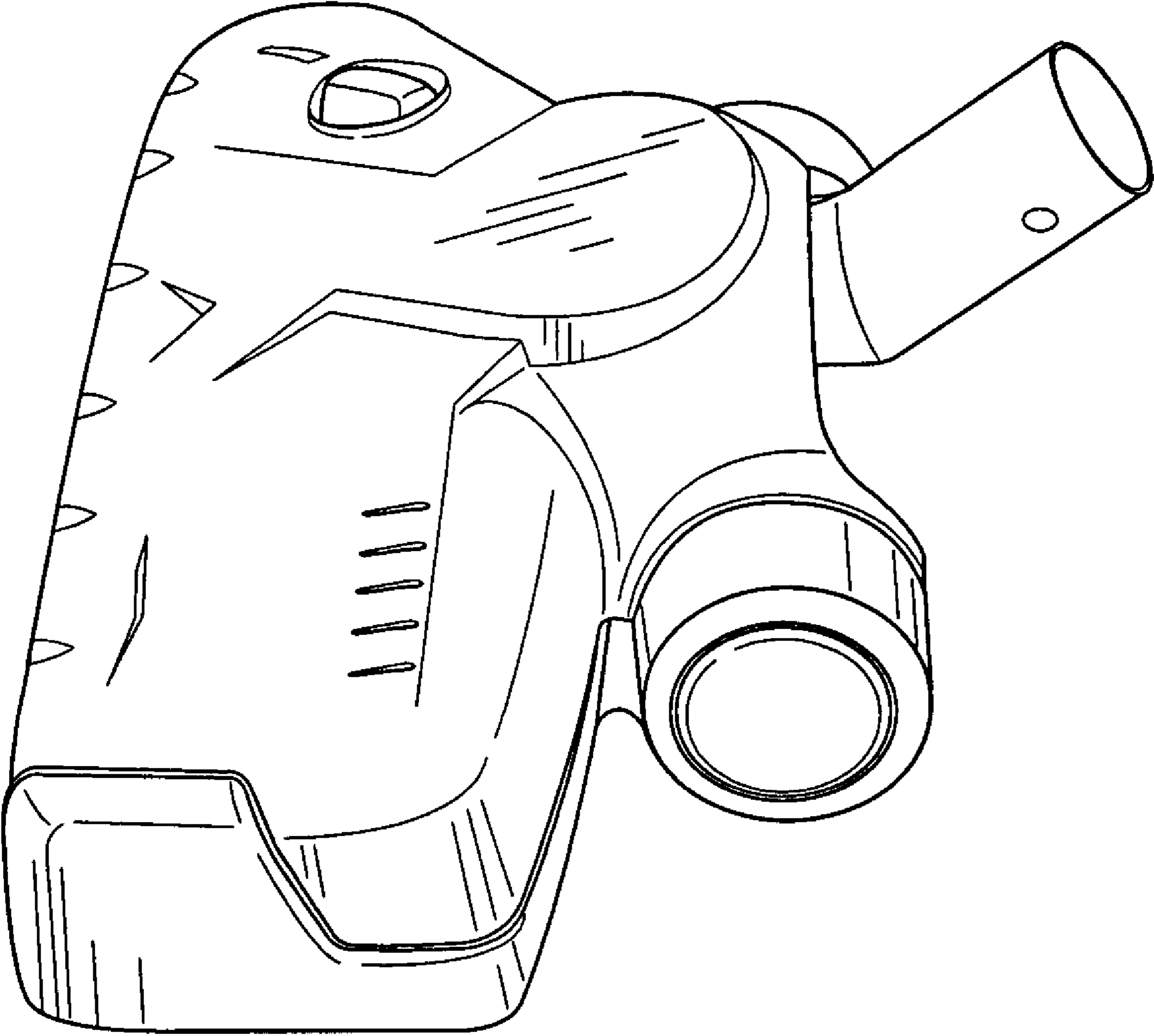


FIG. 4

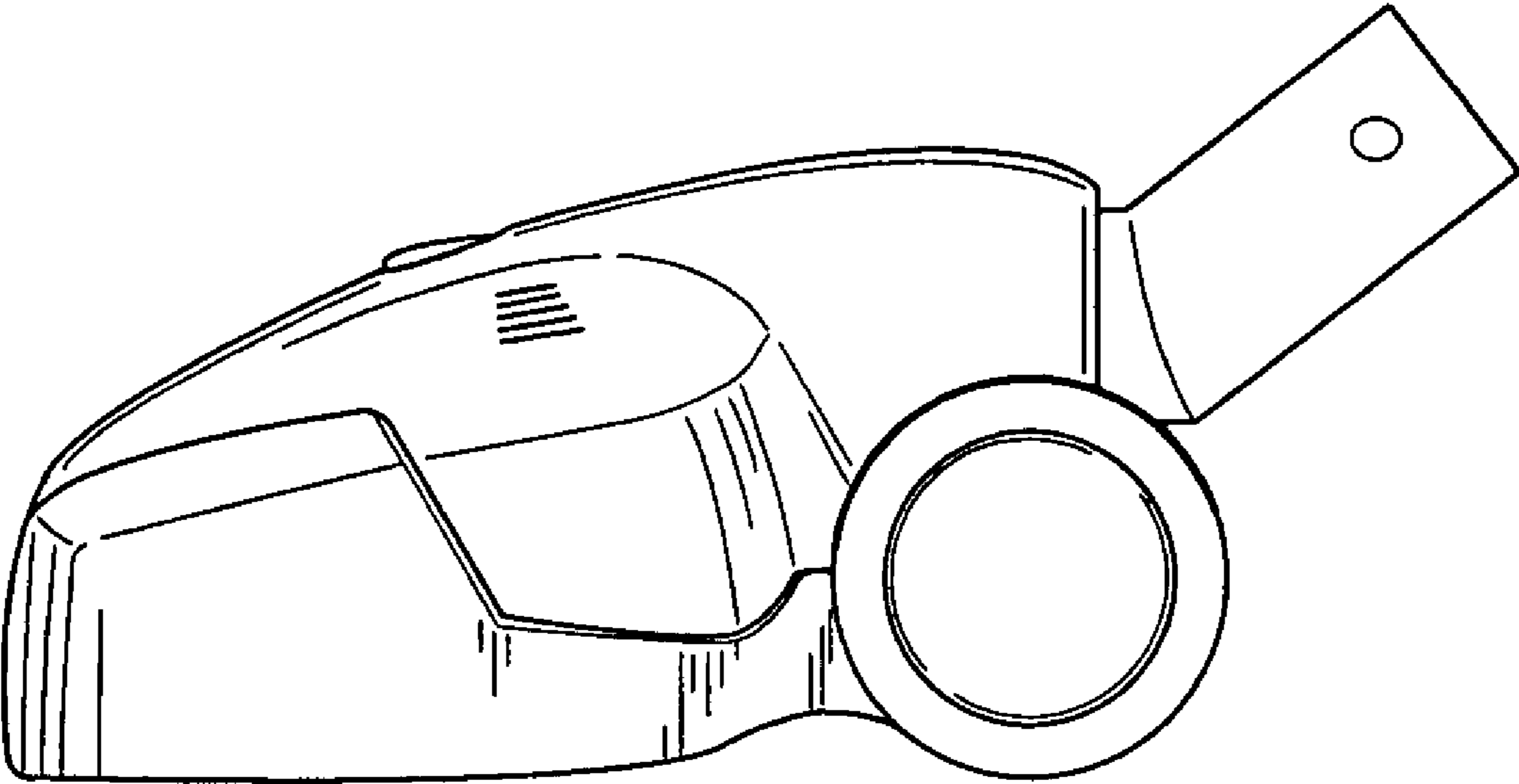


FIG. 5

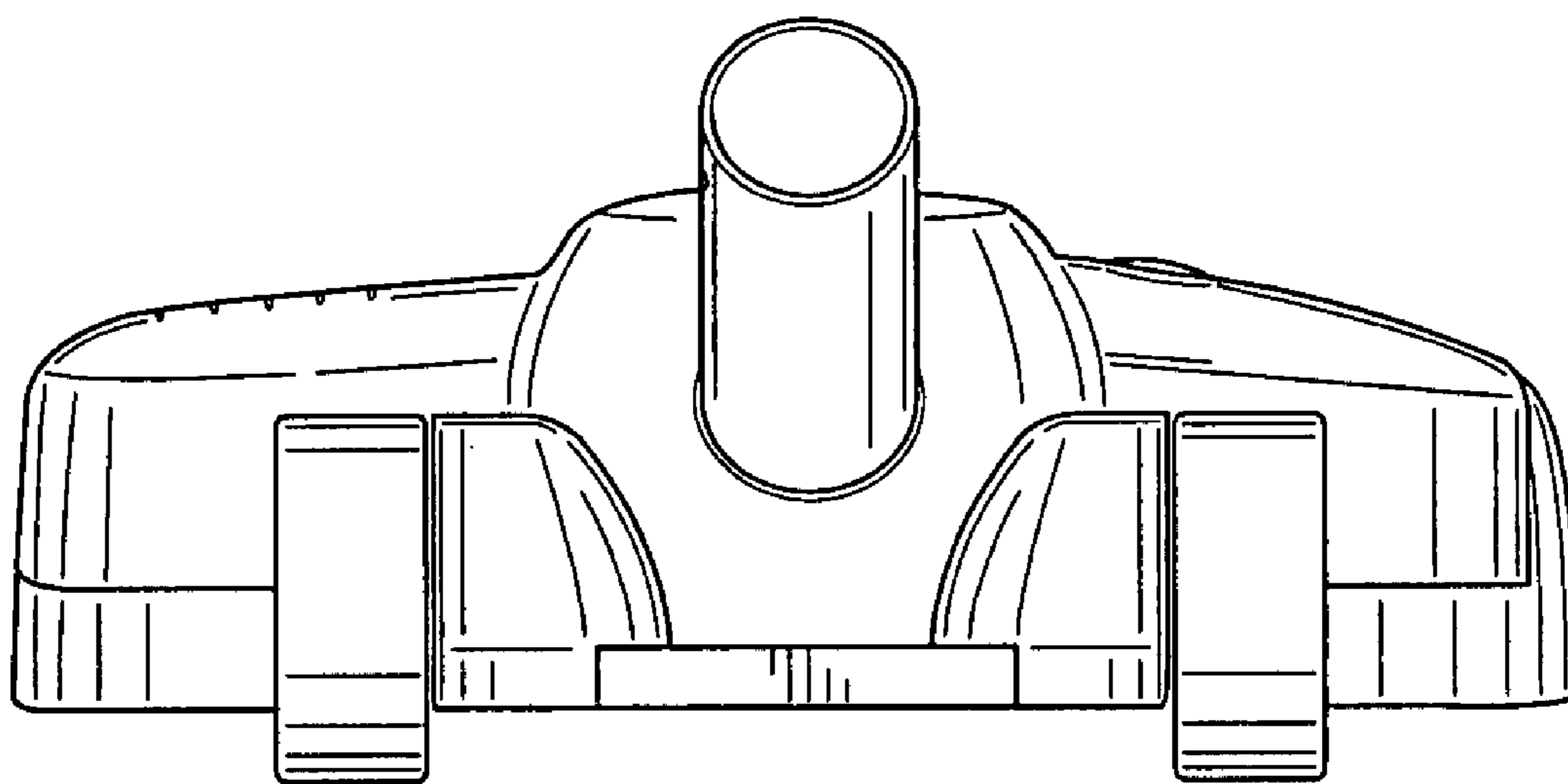


FIG. 6

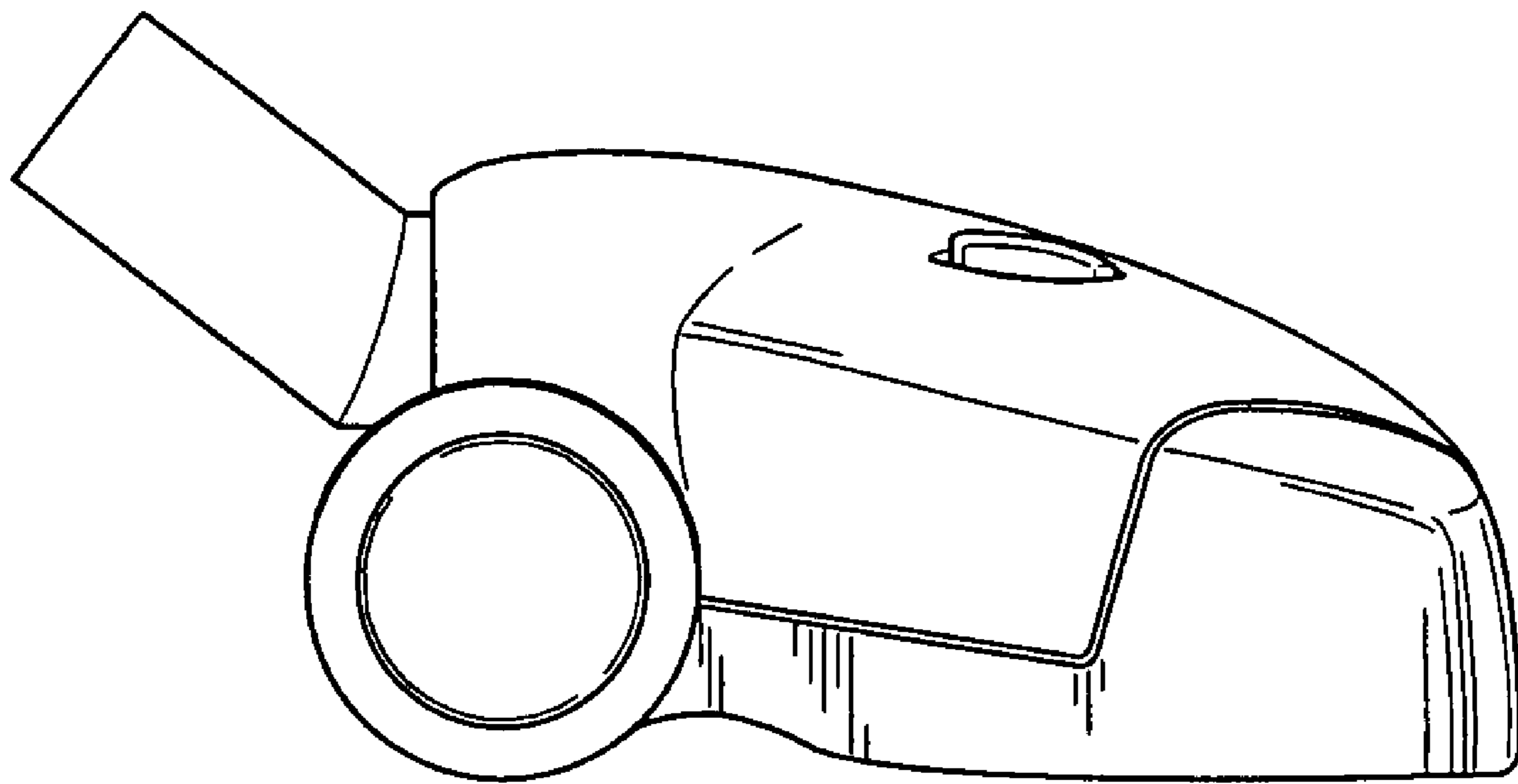


FIG. 7

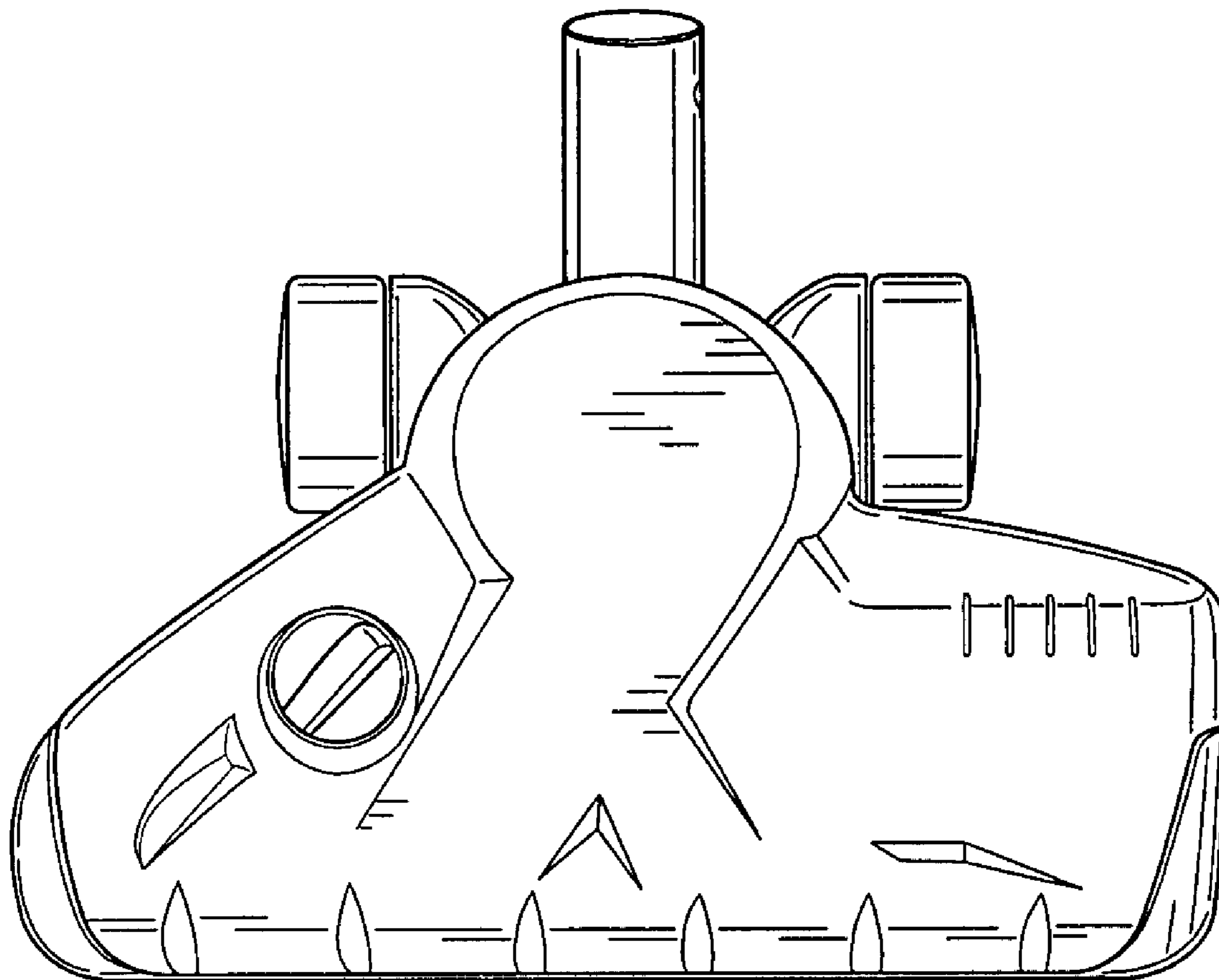


FIG. 8

