



US00D564152S

(12) **United States Design Patent**
Fjellman

(10) **Patent No.:** **US D564,152 S**

(45) **Date of Patent:** **** *Mar. 11, 2008**

(54) **HANDHELD VACUUM**

(75) Inventor: **Oskar Fjellman**, Stockholm (SE)

(73) Assignee: **AB Electrolux**, Stockholm (SE)

(*) Notice: This patent is subject to a terminal disclaimer.

(**) Term: **14 Years**

(21) Appl. No.: **29/266,129**

(22) Filed: **Sep. 15, 2006**

(30) **Foreign Application Priority Data**

Mar. 16, 2006 (EM) 000497664

(51) **LOC (8) Cl.** **15-05**

(52) **U.S. Cl.** **D32/18**

(58) **Field of Classification Search** D32/17,
D32/18, 21-22, 31; 15/1.52, 1.7, 4, 329,
15/339, 344, 347, 351, 353, 361, 410-412,
15/414, DIG. 1; 55/DIG. 3; D13/108; 320/115
See application file for complete search history.

(56) **References Cited**

U.S. PATENT DOCUMENTS

- D257,661 S * 12/1980 Gantz D32/18
- D288,015 S 1/1987 Verdier et al.
- D355,058 S * 1/1995 Phelan D32/18
- D364,013 S * 11/1995 Klingspor et al. D32/18

- 6,125,501 A * 10/2000 Yip 15/344
- D448,895 S * 10/2001 Andreas D32/18
- D511,598 S * 11/2005 Snowball D32/18
- D533,692 S * 12/2006 Snowball D32/18

* cited by examiner

Primary Examiner—Ruth McInroy

(74) *Attorney, Agent, or Firm*—Hunton & Williams

(57) **CLAIM**

I claim the ornamental design for a handheld vacuum, as shown and described.

DESCRIPTION

FIG. 1 is a rear isometric view of a handheld vacuum showing the claimed design.

FIG. 2 is a top plan view of the handheld vacuum.

FIG. 3 is a bottom plan view of the handheld vacuum.

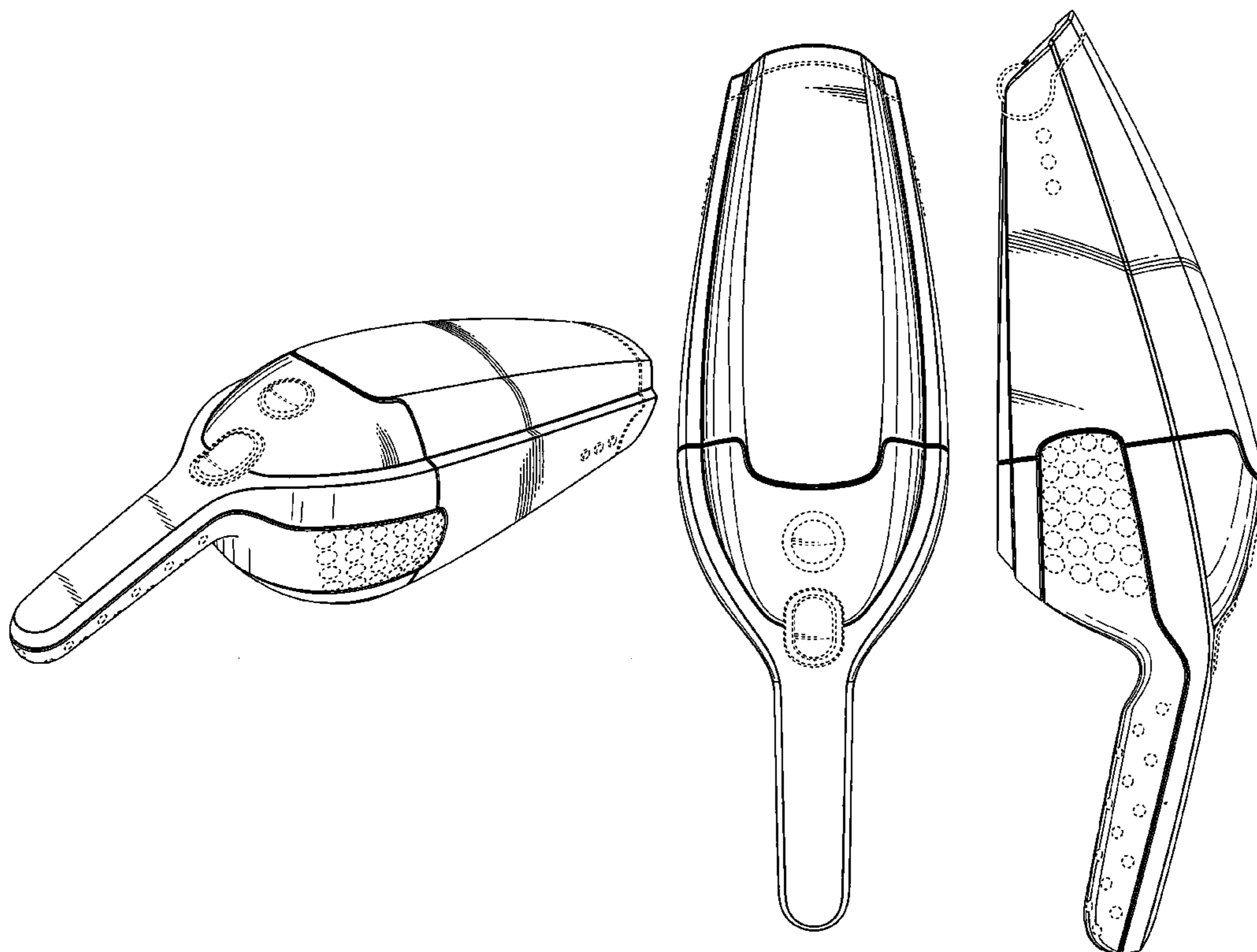
FIG. 4 is a left elevational view of the handheld vacuum, the right elevational view being a mirror image of the left elevational view.

FIG. 5 is a front elevational view of the handheld vacuum; and,

FIG. 6 is a rear elevational view of the handheld vacuum.

The details shown in broken lines form no part of the claimed design.

1 Claim, 6 Drawing Sheets



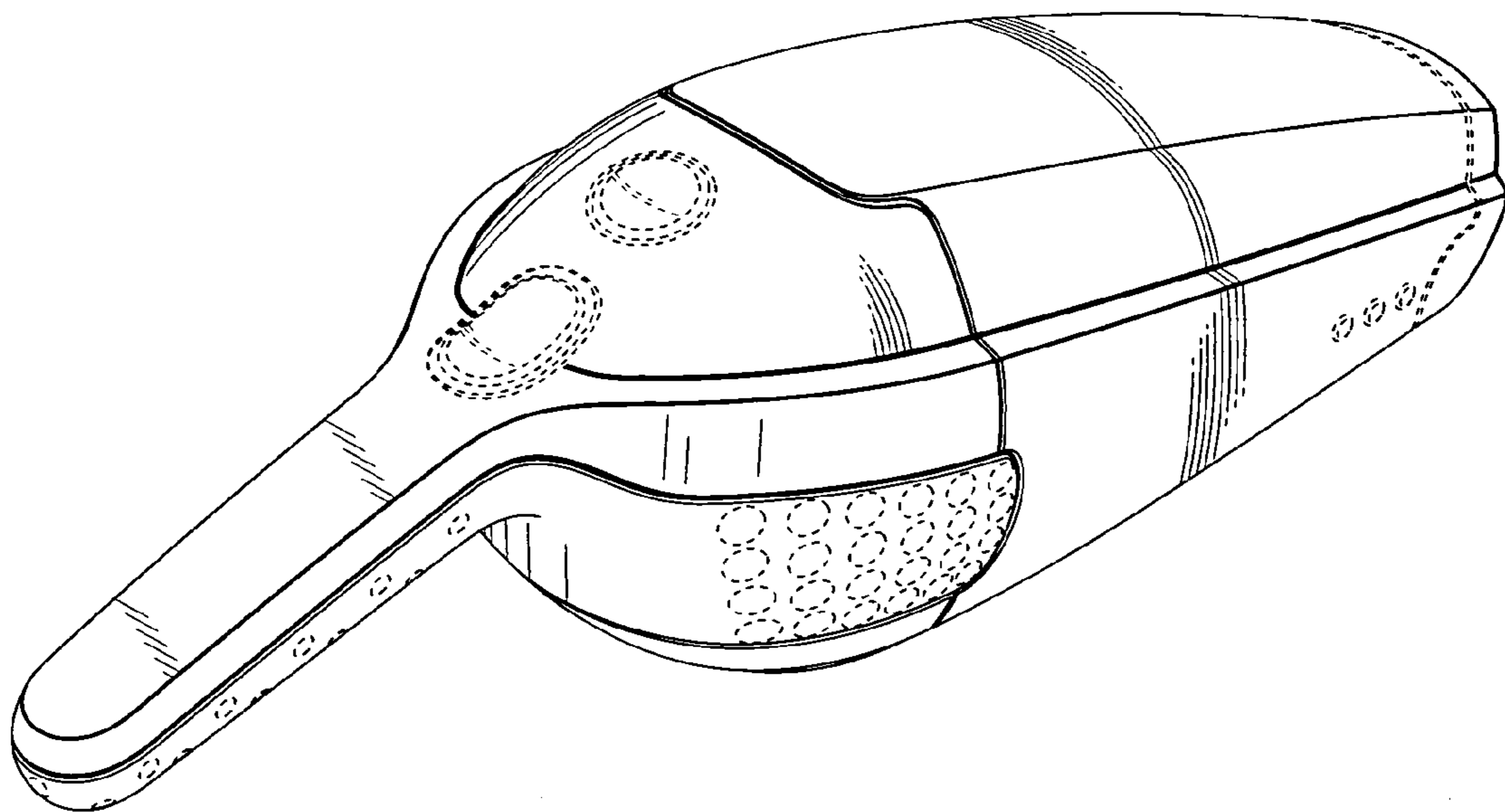


Fig. 1

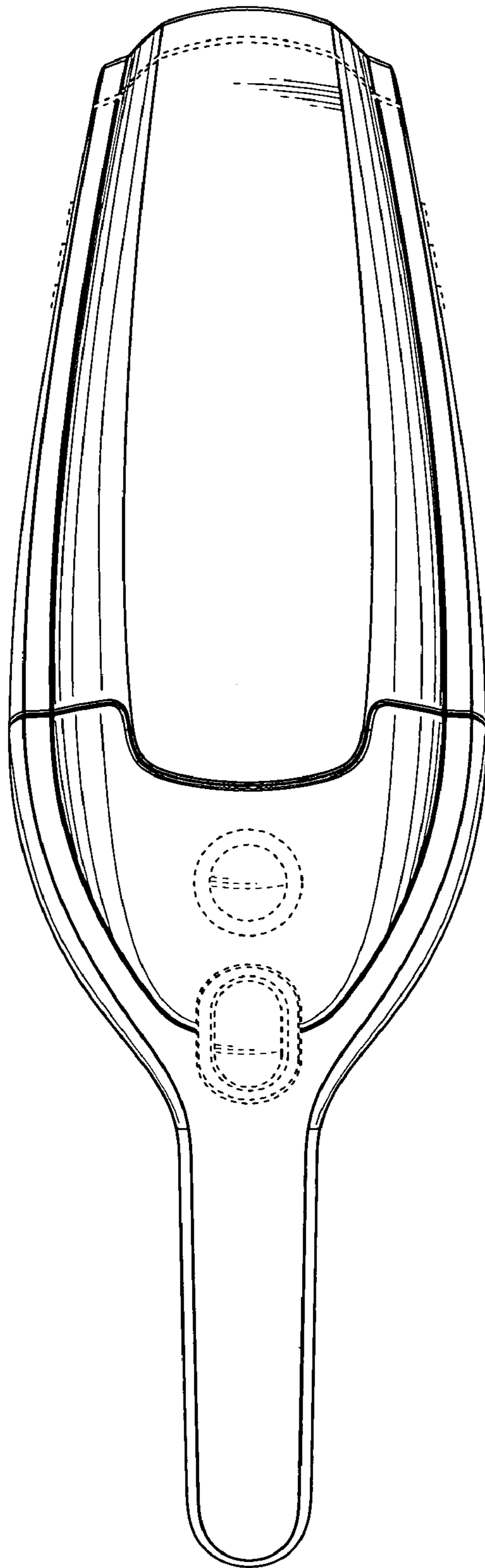


Fig. 2

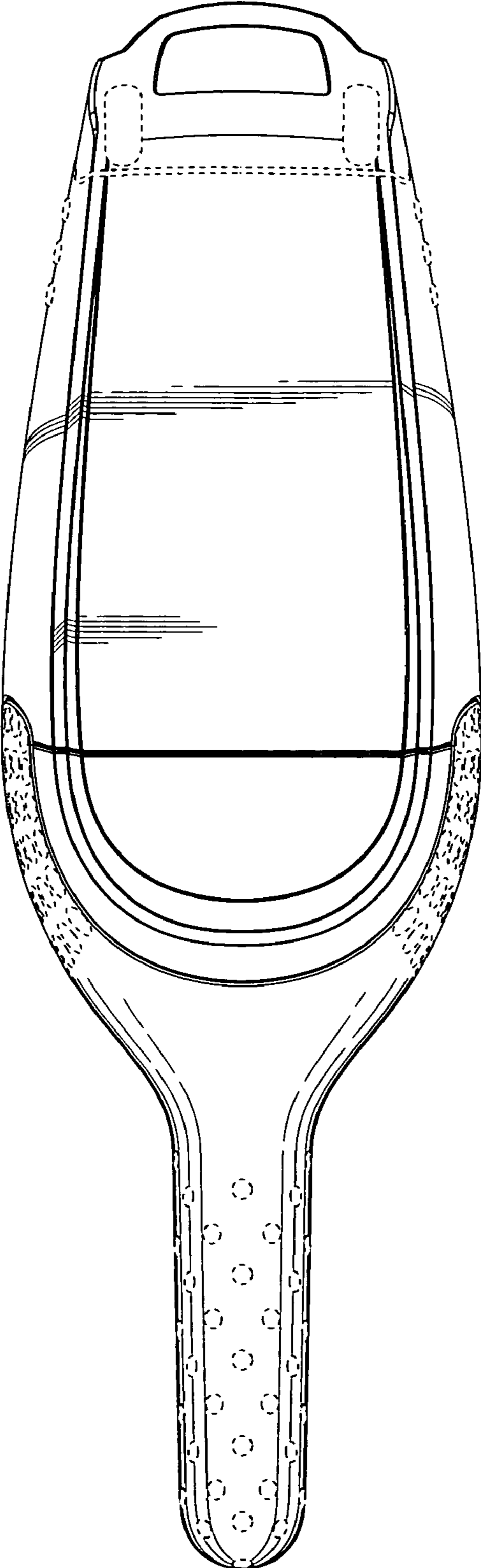


Fig. 3

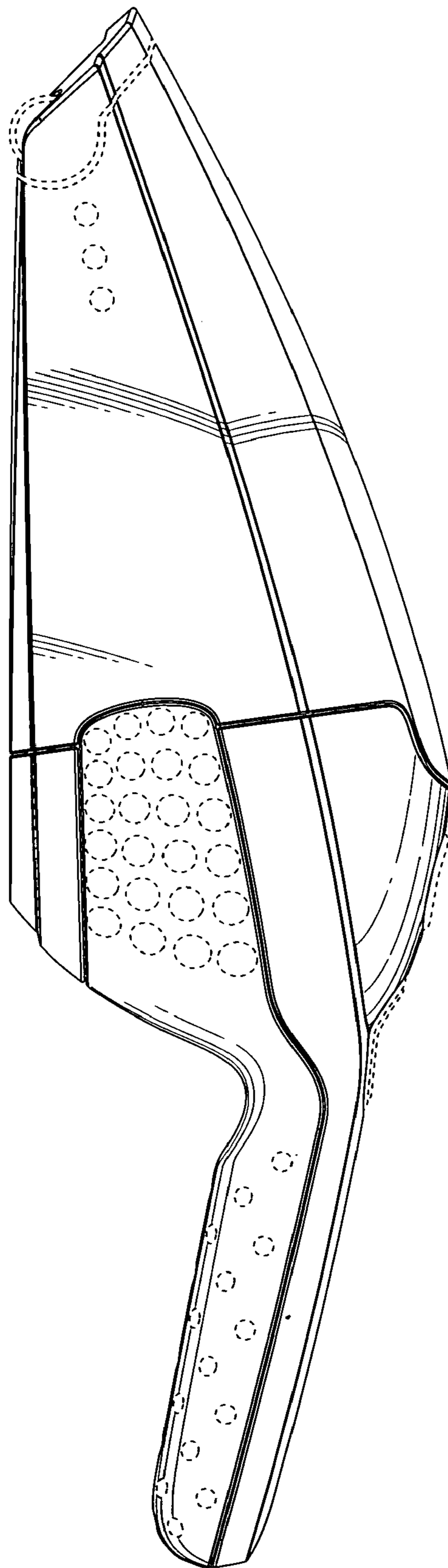


Fig. 4

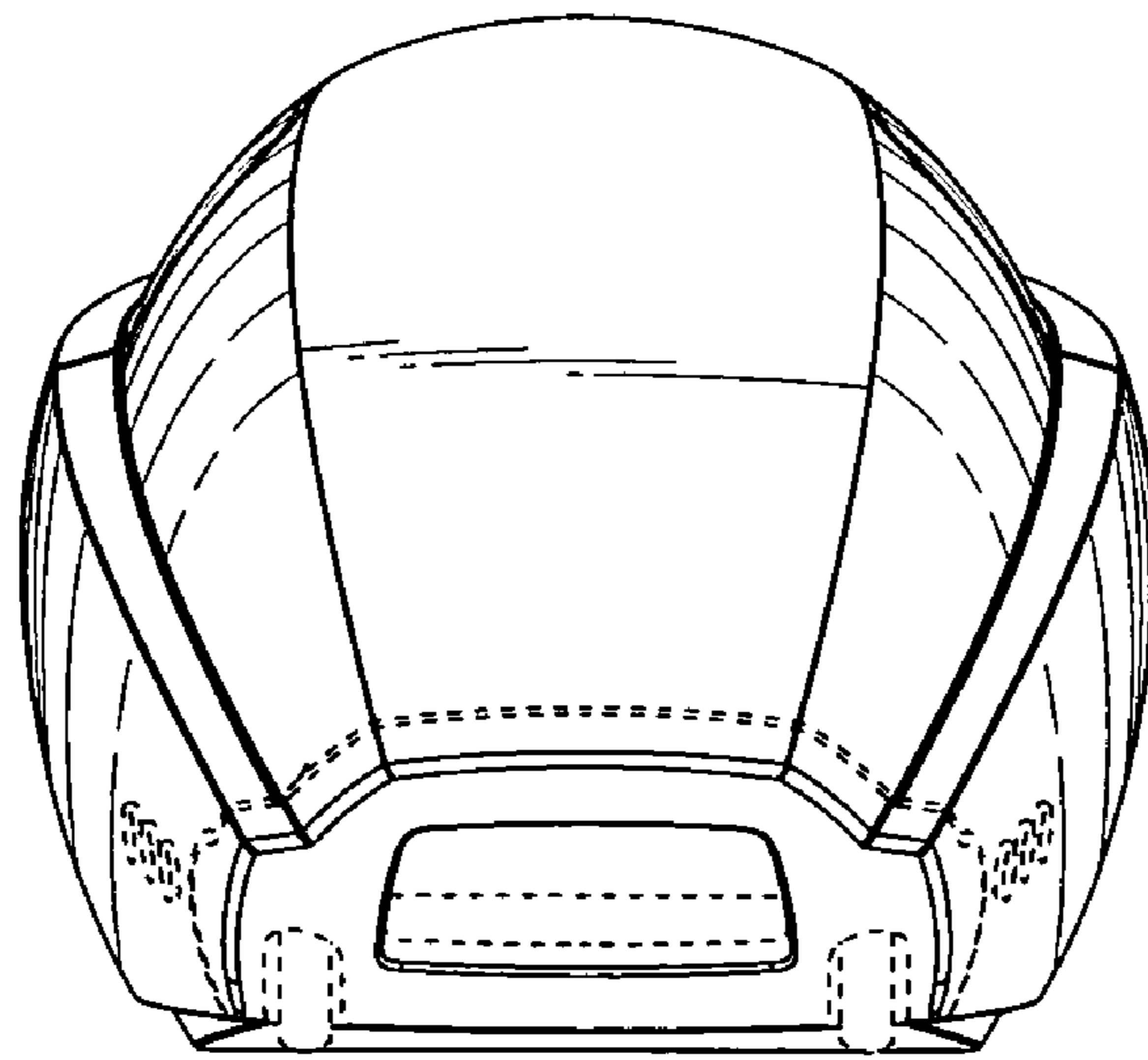


Fig. 5

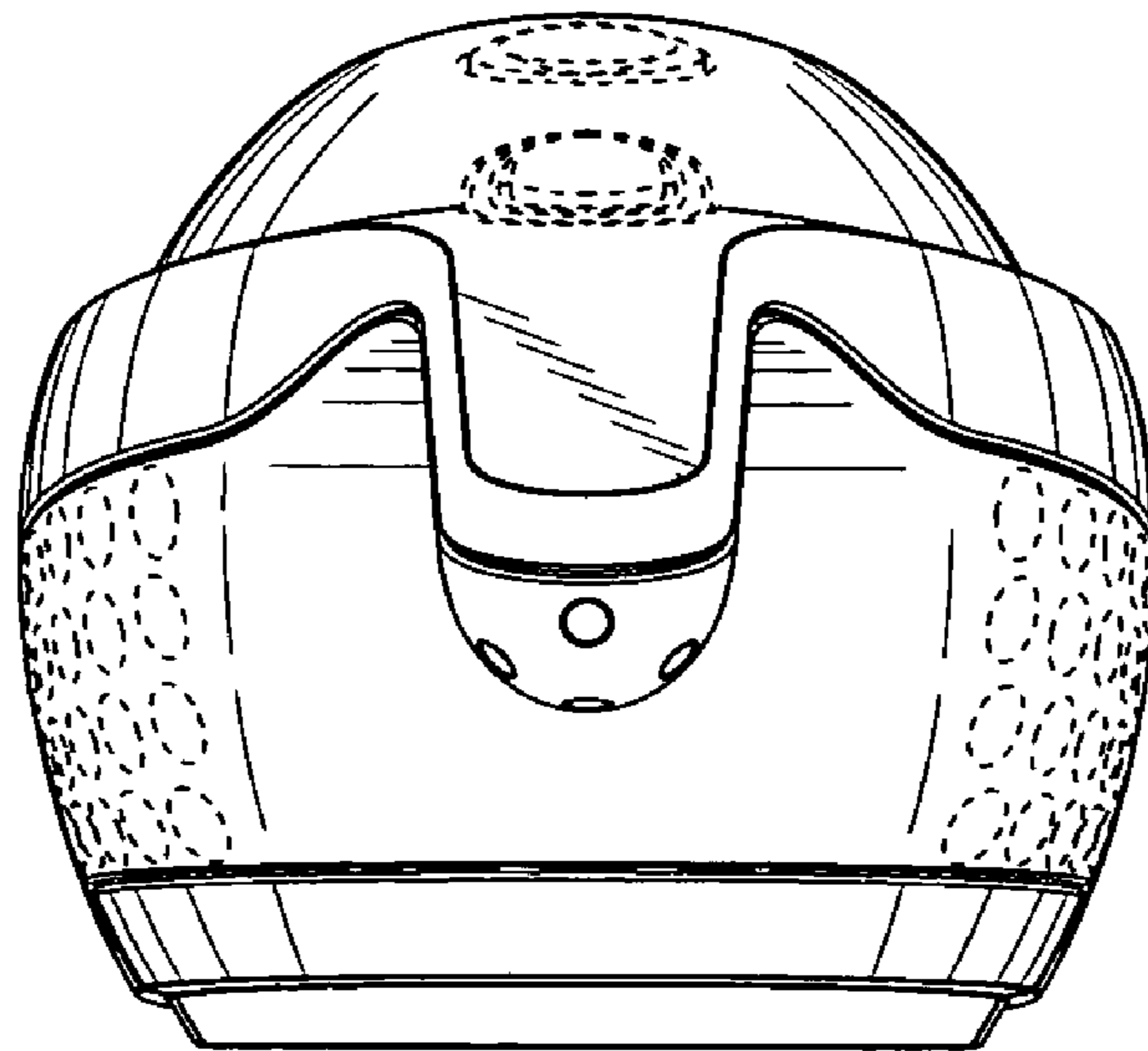


Fig. 6