



US00D564143S

(12) **United States Design Patent**
Gaa et al.

(10) **Patent No.:** **US D564,143 S**
(45) **Date of Patent:** **** Mar. 11, 2008**

(54) **DISPENSING DEVICE**

(75) Inventors: **Stefan Gaa**, Haryana (IN); **Chris Efstathios Housmekerides**, Ludwigshafen (DE)

(73) Assignee: **Reckitt Benckiser N.V.**, Hoofddorp (NL)

(**) Term: **14 Years**

(21) Appl. No.: **29/279,156**

(22) Filed: **Apr. 20, 2007**

(30) **Foreign Application Priority Data**

Oct. 24, 2006 (EM) 000609417-0003

(51) **LOC (8) Cl.** **15-05**

(52) **U.S. Cl.** **D32/3**

(58) **Field of Classification Search** D32/3,
D32/25, 29.1, 30, 1, 2; D9/349, 366, 690,
D9/723-729; 222/556, 651, 652; D23/149,
D23/150, 200, 366, 207-210; 15/347, 353;
D6/542-544

See application file for complete search history.

(56) **References Cited**

U.S. PATENT DOCUMENTS

D201,797 S * 8/1965 Johnson D23/208

D219,776 S * 1/1971 Jacobs D23/208
5,542,579 A * 8/1996 Robbins, III 222/158
D381,141 S * 7/1997 Balz D32/29.1
D383,264 S * 9/1997 Balz D32/29.1
D432,205 S * 10/2000 Tien Lin D23/209
6,428,589 B1 * 8/2002 Bair et al. 55/318
D465,258 S * 11/2002 Hiranaga et al. D23/209
D481,844 S * 11/2003 Greene et al. D32/30

* cited by examiner

Primary Examiner—Stella M. Reid
Assistant Examiner—Kathleen Sims

(57) **CLAIM**

The ornamental design for a dispensing device, as shown and described.

DESCRIPTION

FIG. 1 is a rear perspective view of a dispensing device showing our new design;

FIG. 2 is a plan view of the top thereof;

FIG. 3 is a plan view of the bottom thereof;

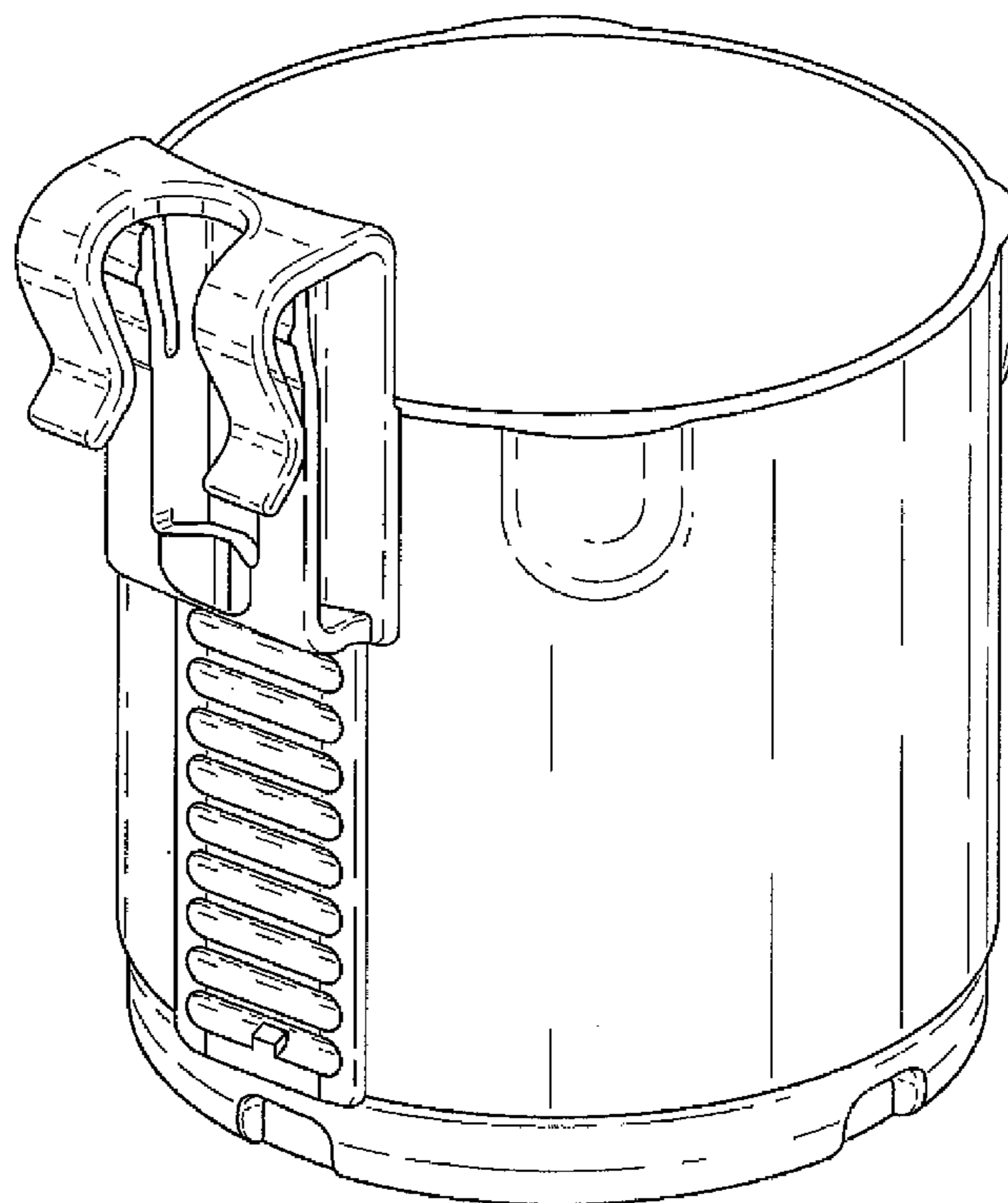
FIG. 4 is an elevation view of the right side thereof;

FIG. 5 is an elevation view of the left side thereof;

FIG. 6 is an elevation view of the front thereof; and,

FIG. 7 is an elevation view of the rear thereof.

1 Claim, 7 Drawing Sheets



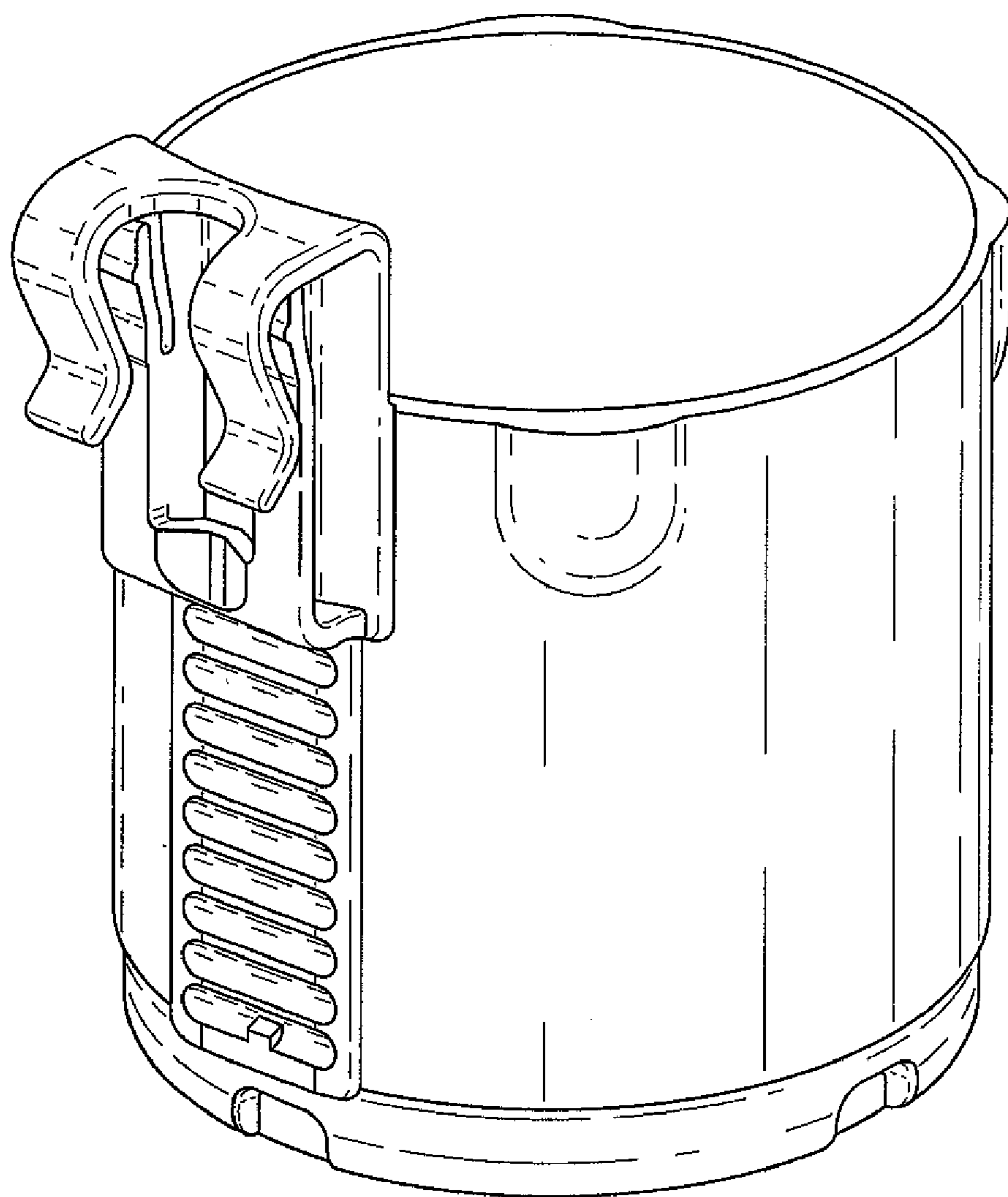


Fig. 1.

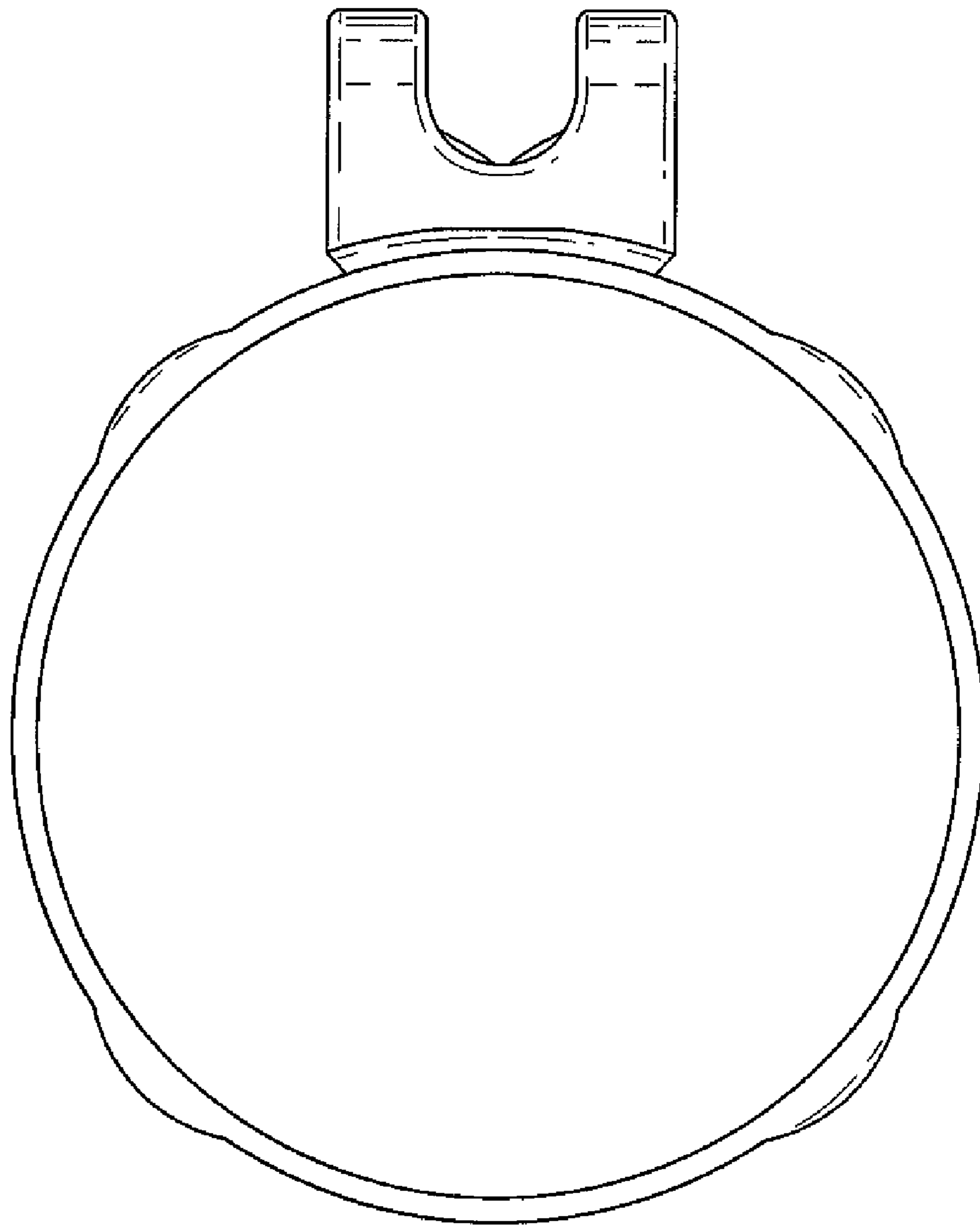


Fig.2.

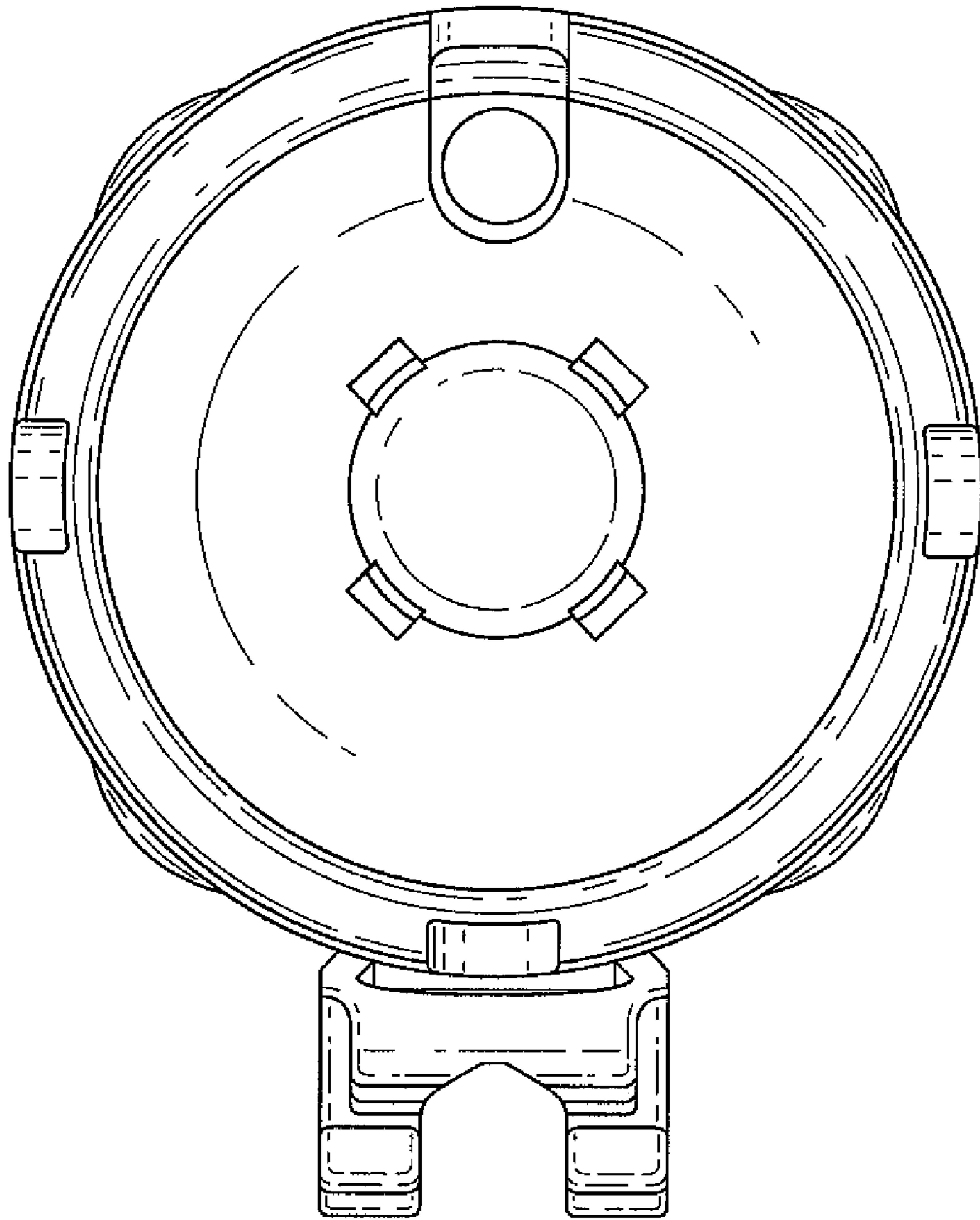


Fig.3.

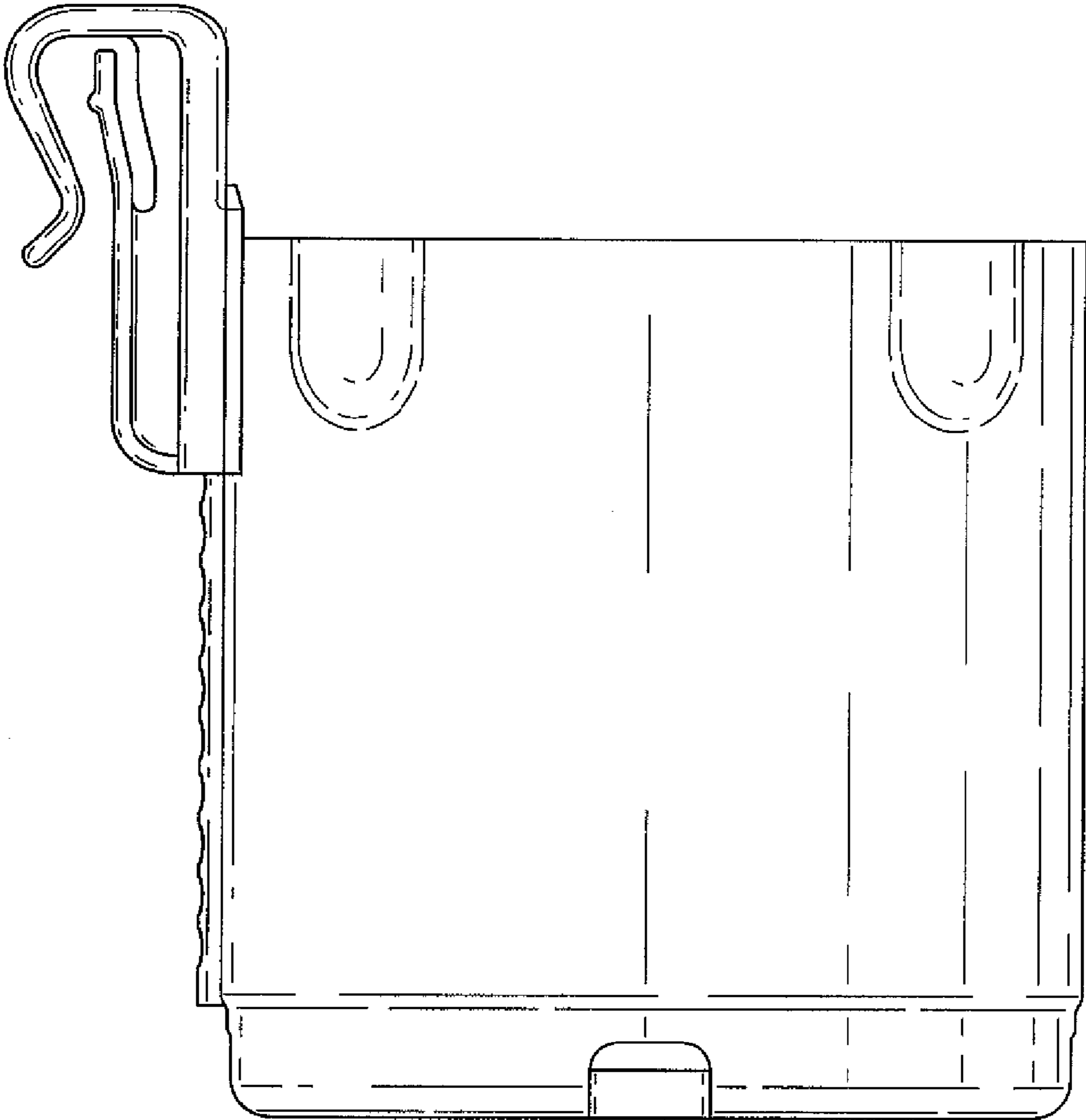


Fig.4.

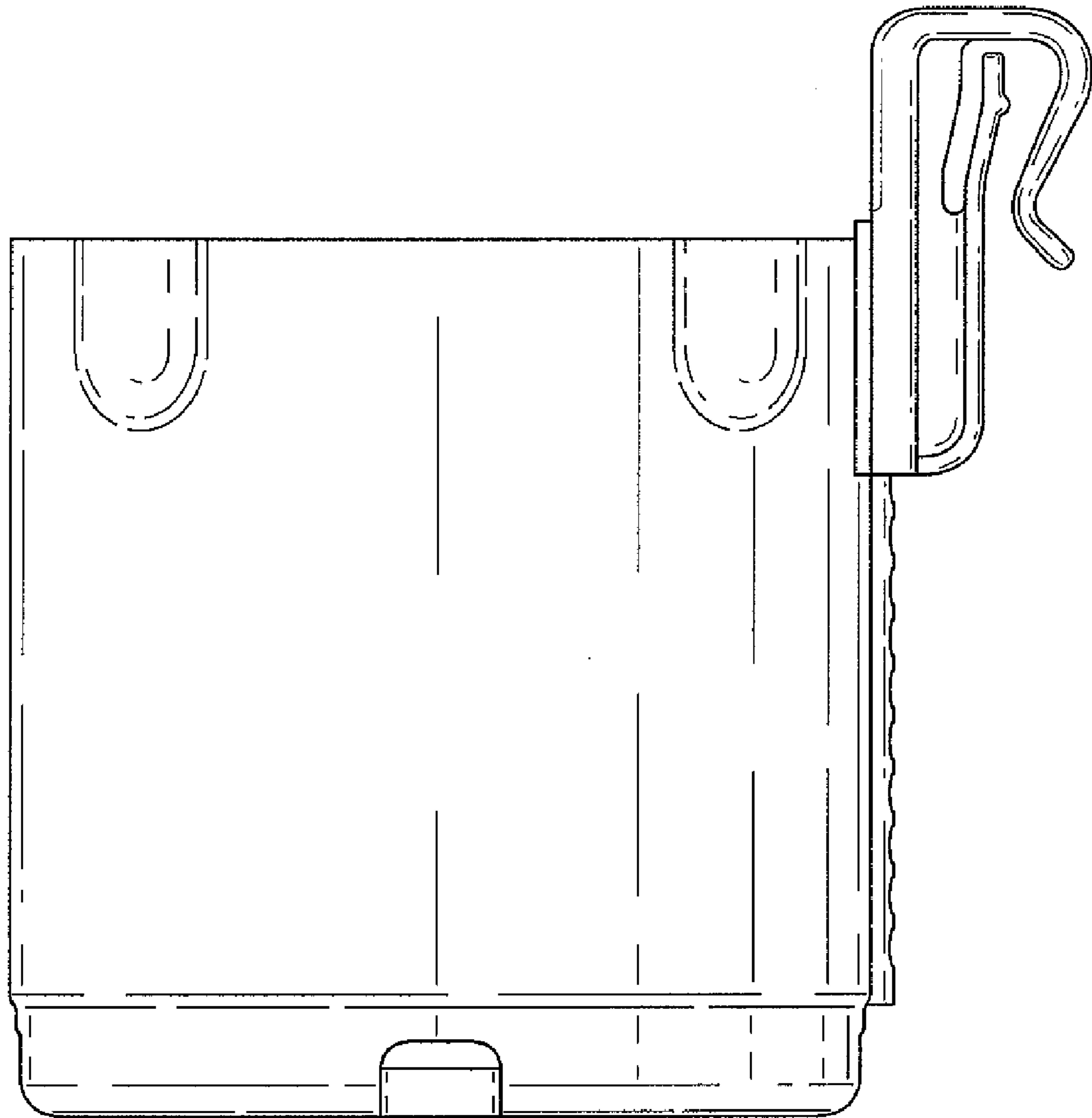


Fig. 5.

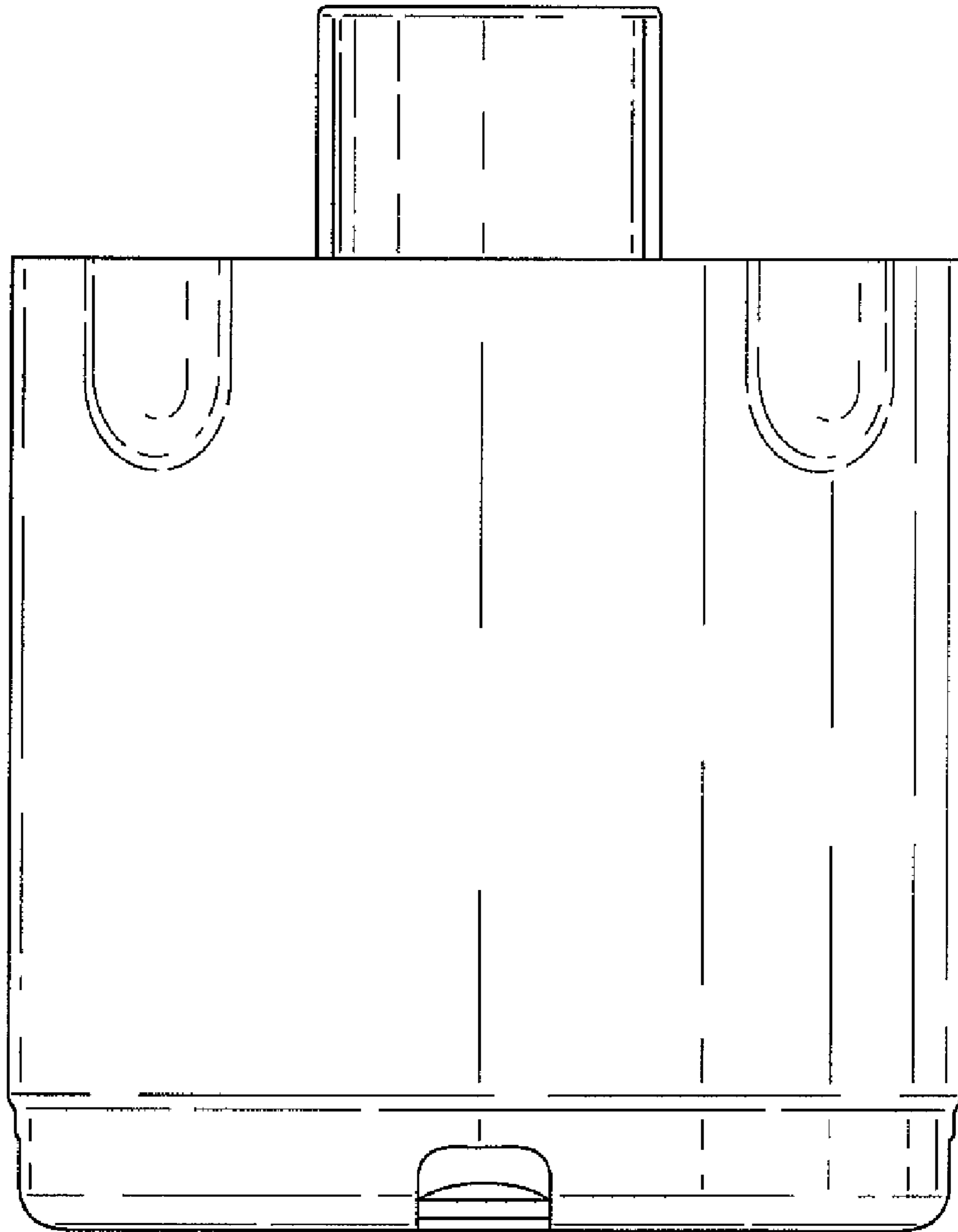


Fig.6.

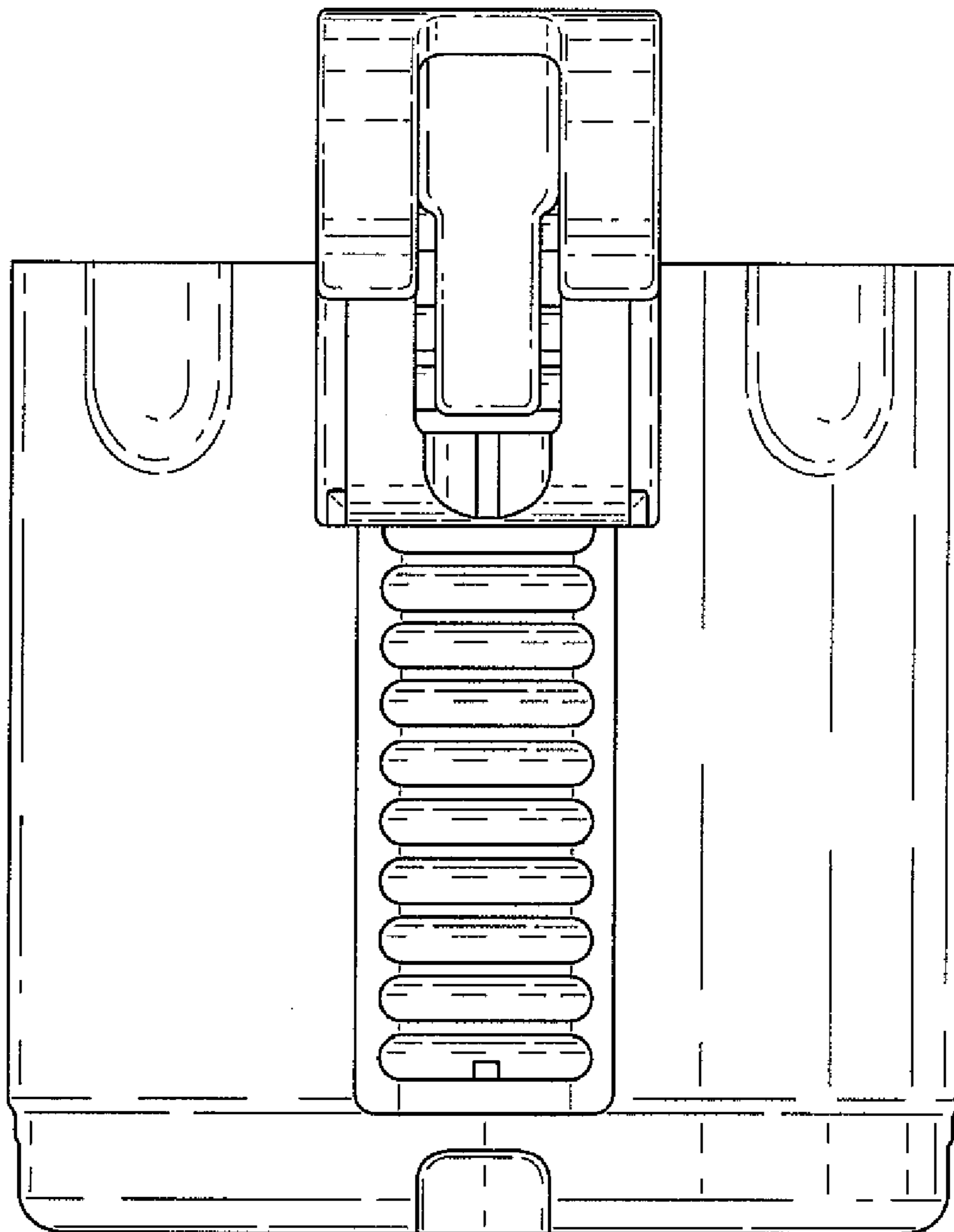


Fig.7.