

US00D564142S

(12) **United States Design Patent**
Gaa et al.

(10) **Patent No.:** **US D564,142 S**
(45) **Date of Patent:** **** Mar. 11, 2008**

(54) **DISPENSING DEVICE**

(75) Inventors: **Stefan Gaa**, Haryana (IN); **Chris Efstathios Housmekerides**, Ludwigshafen (DE)

(73) Assignee: **Reckitt Benckiser N.V.**, Hoofddorp (NL)

(**) Term: **14 Years**

(21) Appl. No.: **29/279,155**

(22) Filed: **Apr. 20, 2007**

(30) **Foreign Application Priority Data**

Oct. 24, 2006 (EM) 000609417-0002

(51) **LOC (8) Cl.** **15-05**

(52) **U.S. Cl.** **D32/3**

(58) **Field of Classification Search** D32/3,
D32/25, 29.1, 30, 1, 2; D9/349, 366, 690,
D9/723-729; 222/556, 651, 652; D23/149,
D23/150, 200, 366, 207-210; 15/347, 353;
D6/542-544

See application file for complete search history.

(56) **References Cited**

U.S. PATENT DOCUMENTS

2,642,310 A * 6/1953 Meek et al. 239/35
D269,801 S * 7/1983 Sangster et al. D23/207

D280,757 S * 9/1985 Paulovich et al. D23/207
D281,010 S * 10/1985 Joyaux D23/369
5,542,579 A * 8/1996 Robbins, III 222/158
D410,064 S * 5/1999 Hunter et al. D23/209
D526,043 S * 8/2006 Thompson D23/208
D532,298 S * 11/2006 Vogel D9/447

* cited by examiner

Primary Examiner—Stella M. Reid
Assistant Examiner—Kathleen Sims

(57) **CLAIM**

The ornamental design for a dispensing device, as shown and described.

DESCRIPTION

FIG. 1 is a front perspective view of a dispensing device showing our new design;

FIG. 2 is a plan view of the top thereof;

FIG. 3 is a plan view of the bottom thereof;

FIG. 4 is an elevation view of the right side thereof;

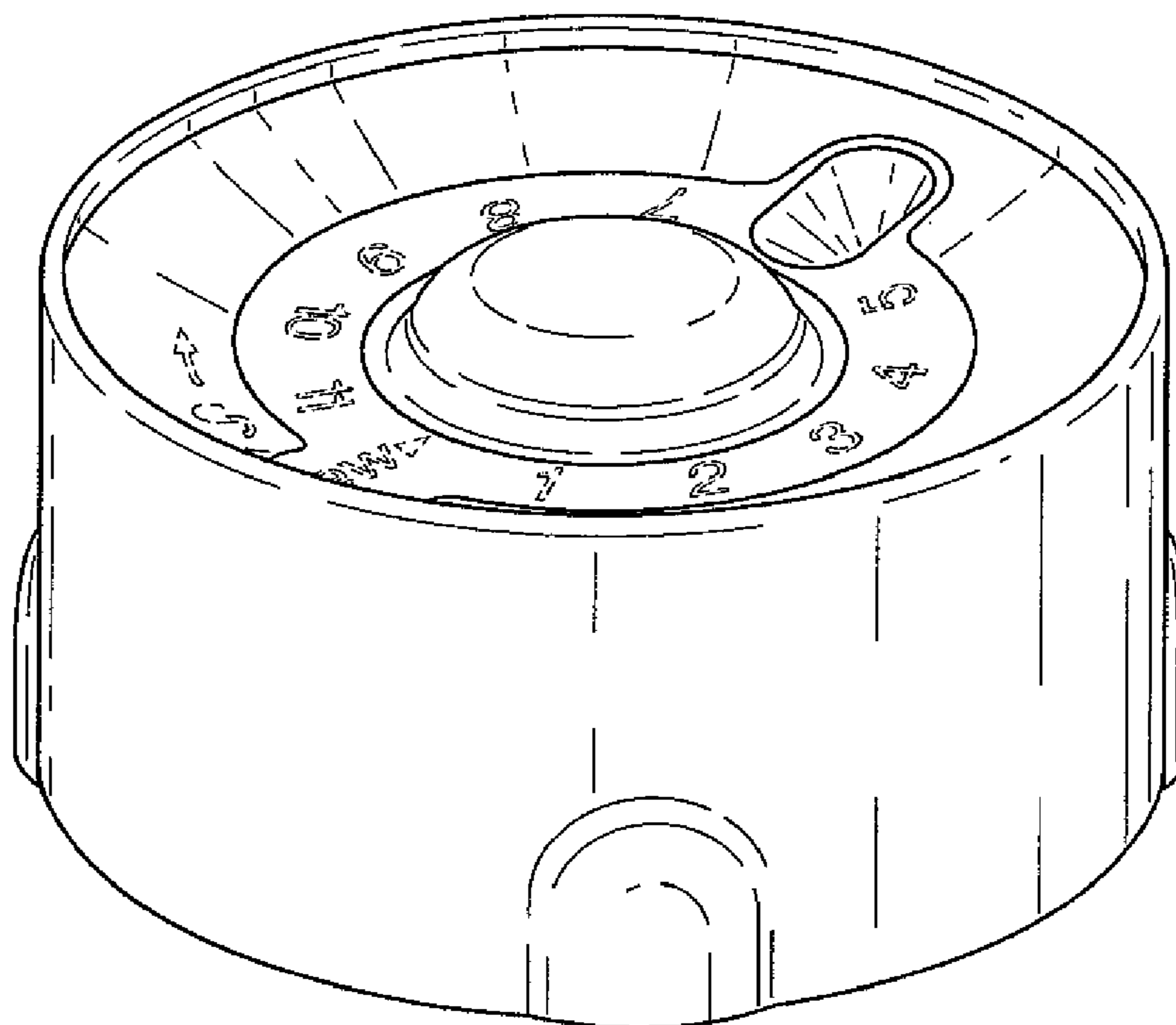
FIG. 5 is an elevation view of the left side thereof;

FIG. 6 is an elevation view of the front thereof; and,

FIG. 7 is an elevation view of the rear thereof.

The broken line showing of details in FIGS. 1 and 2 is included for the purpose of illustrating portions of the dispensing device and forms no part of the claimed design.

1 Claim, 5 Drawing Sheets



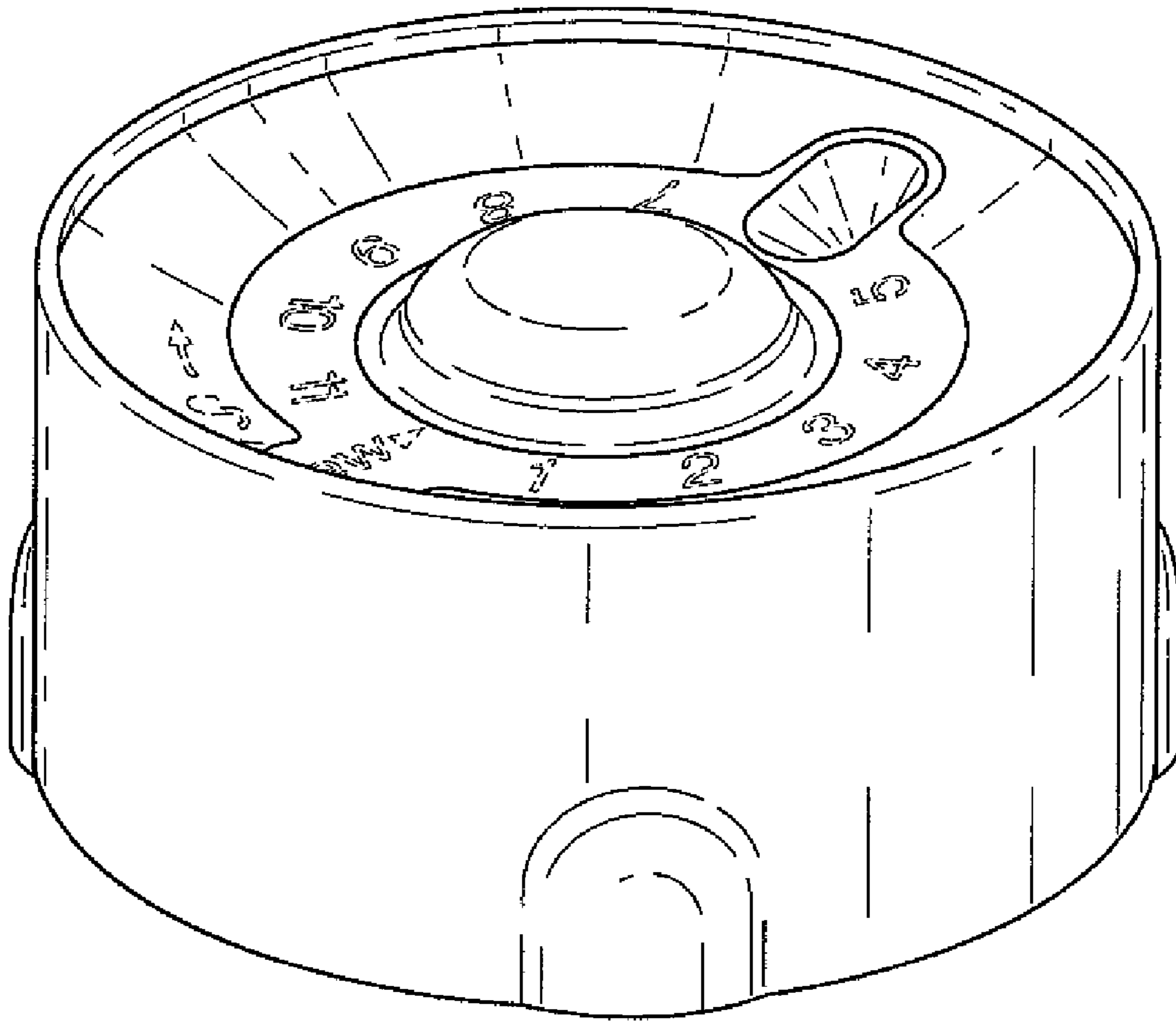


Fig.1.

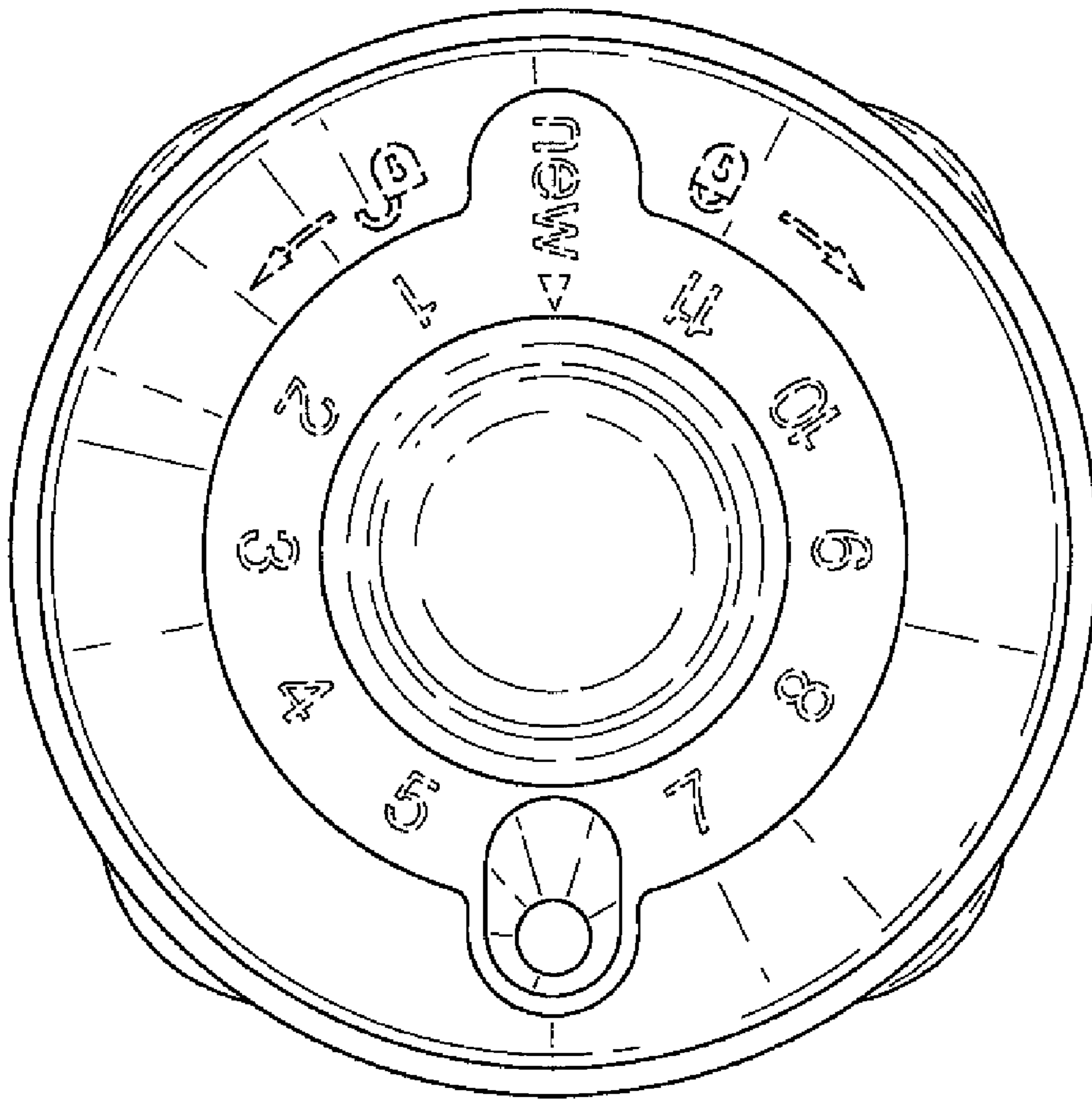


Fig.2.

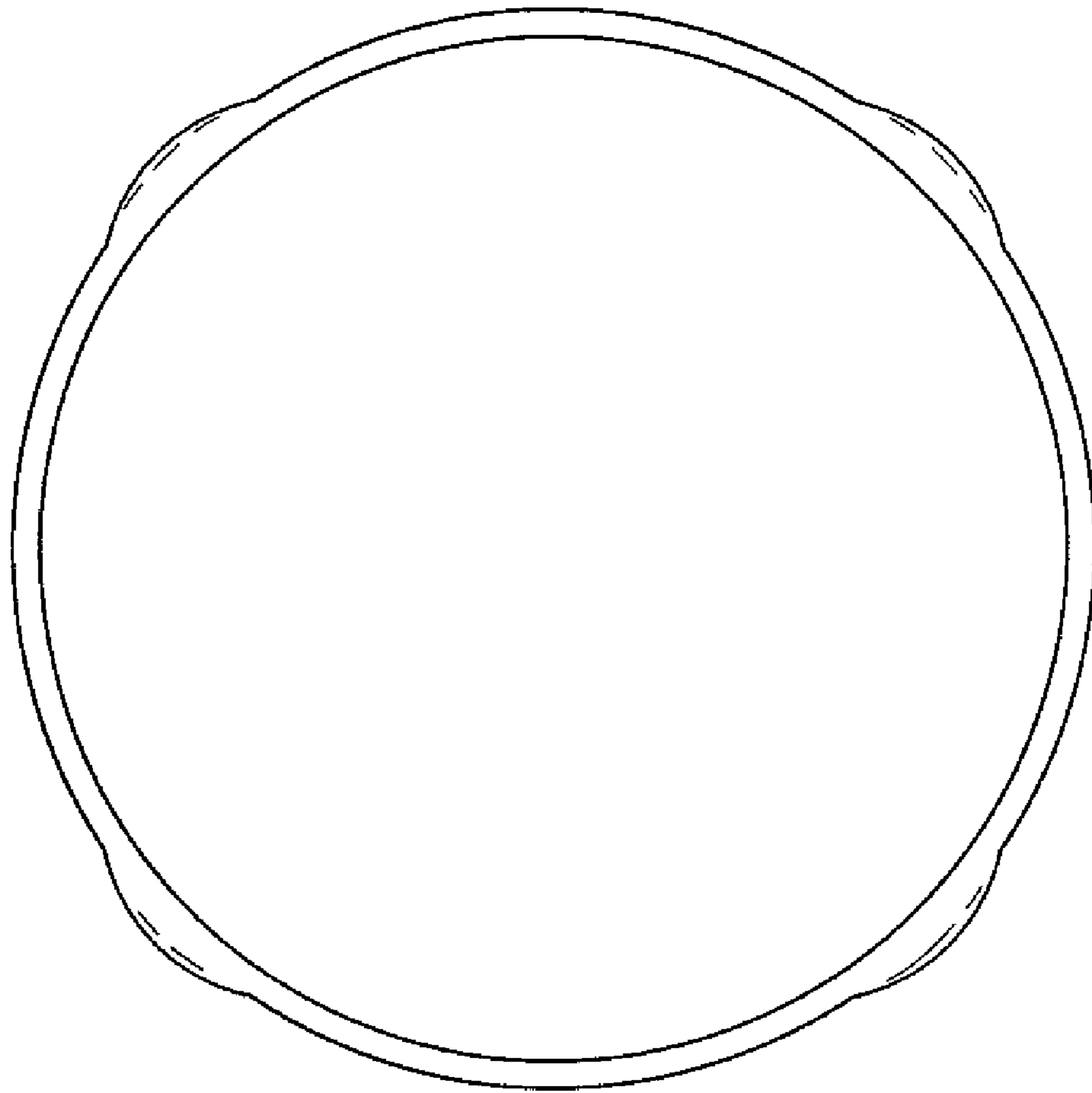


Fig.3.

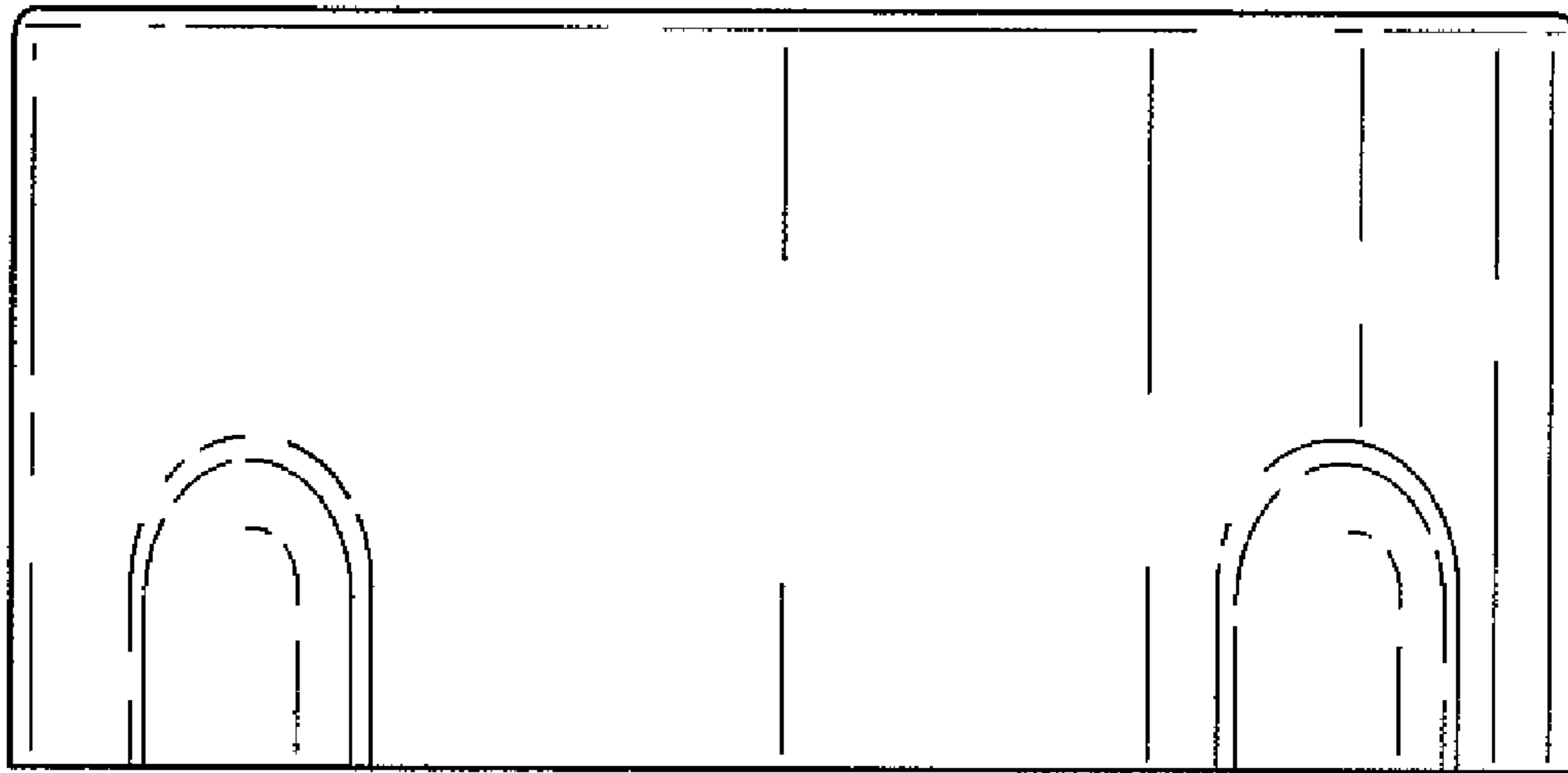


Fig.4.

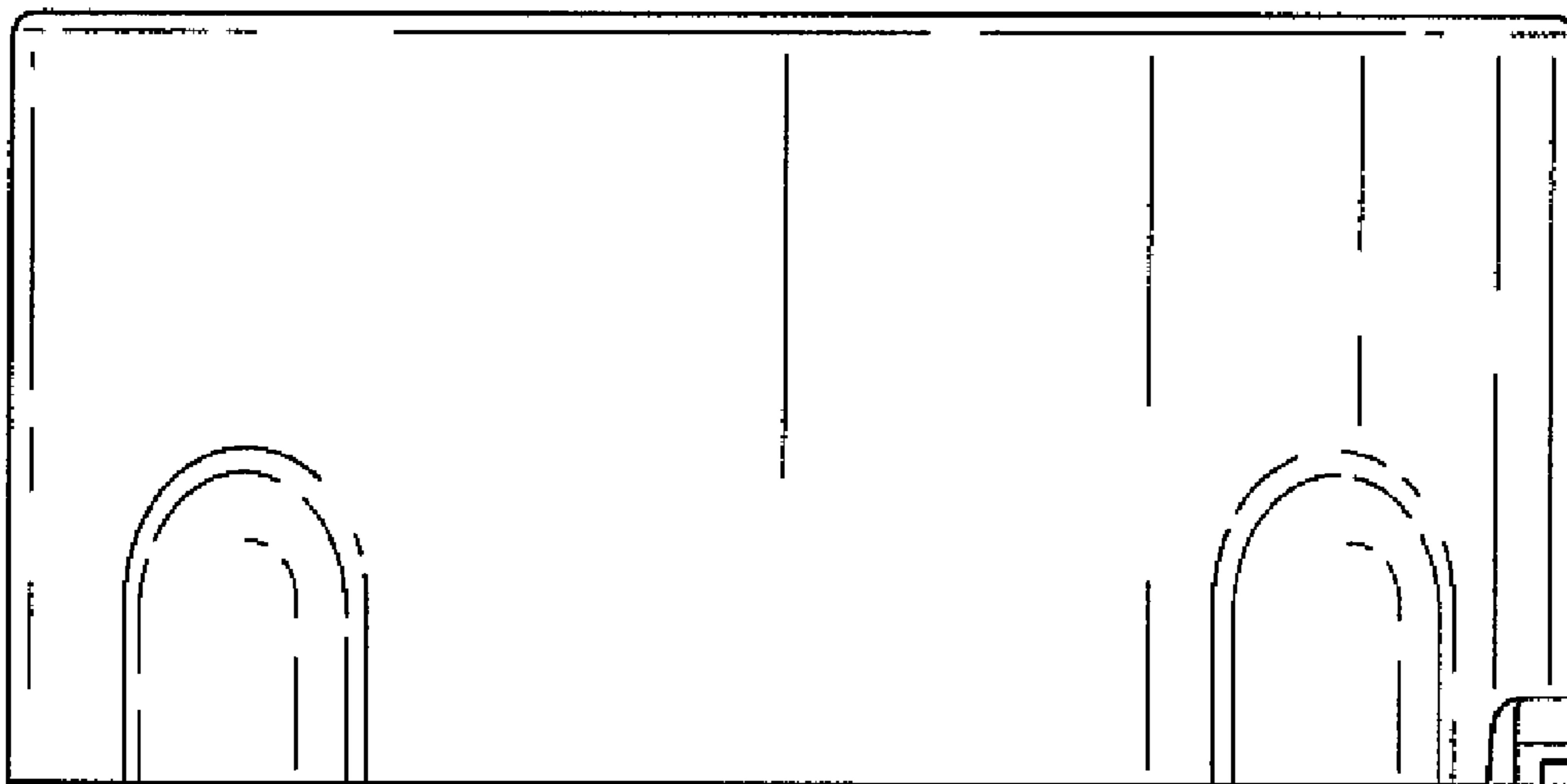


Fig.5.

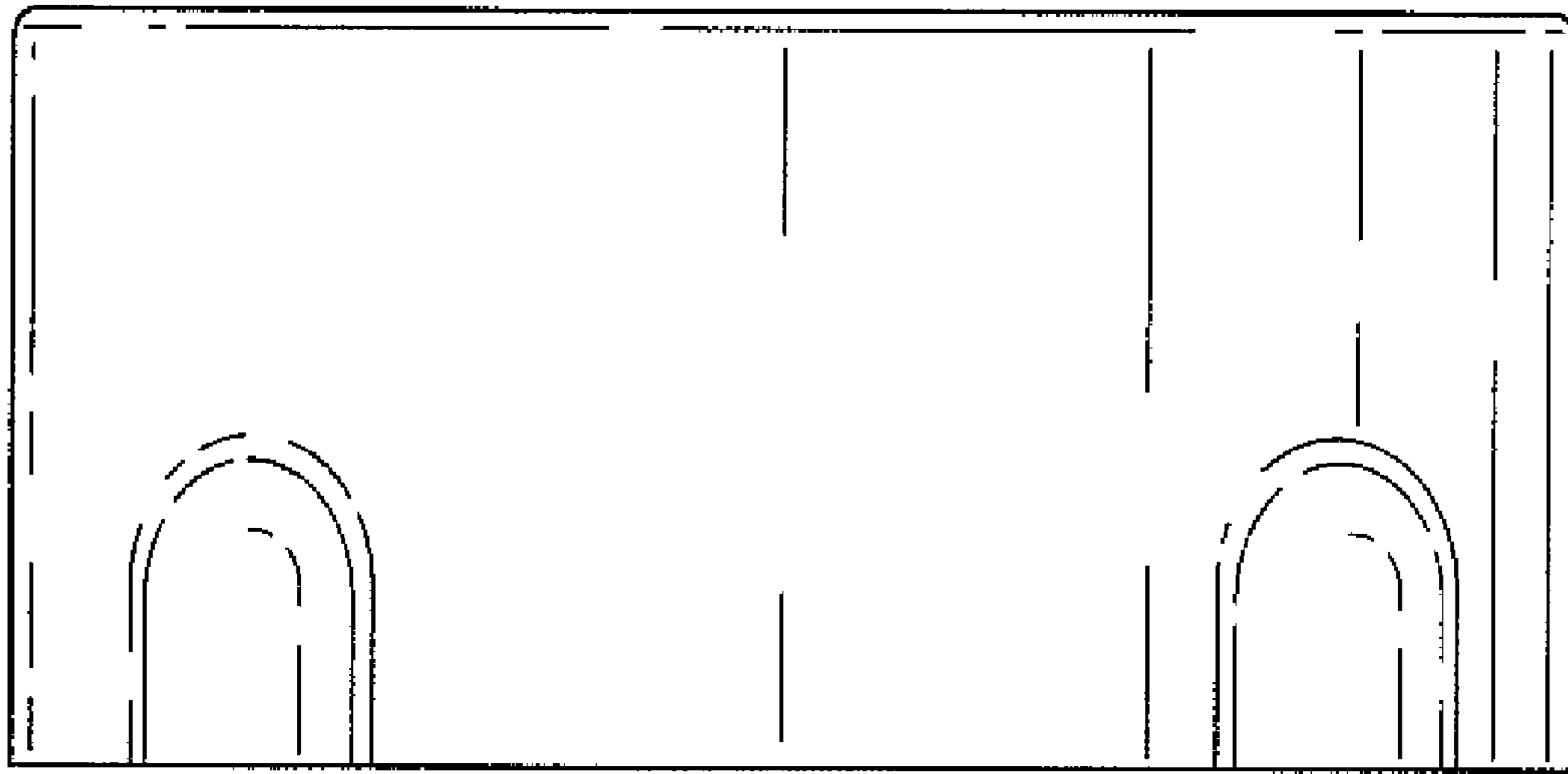


Fig.6.

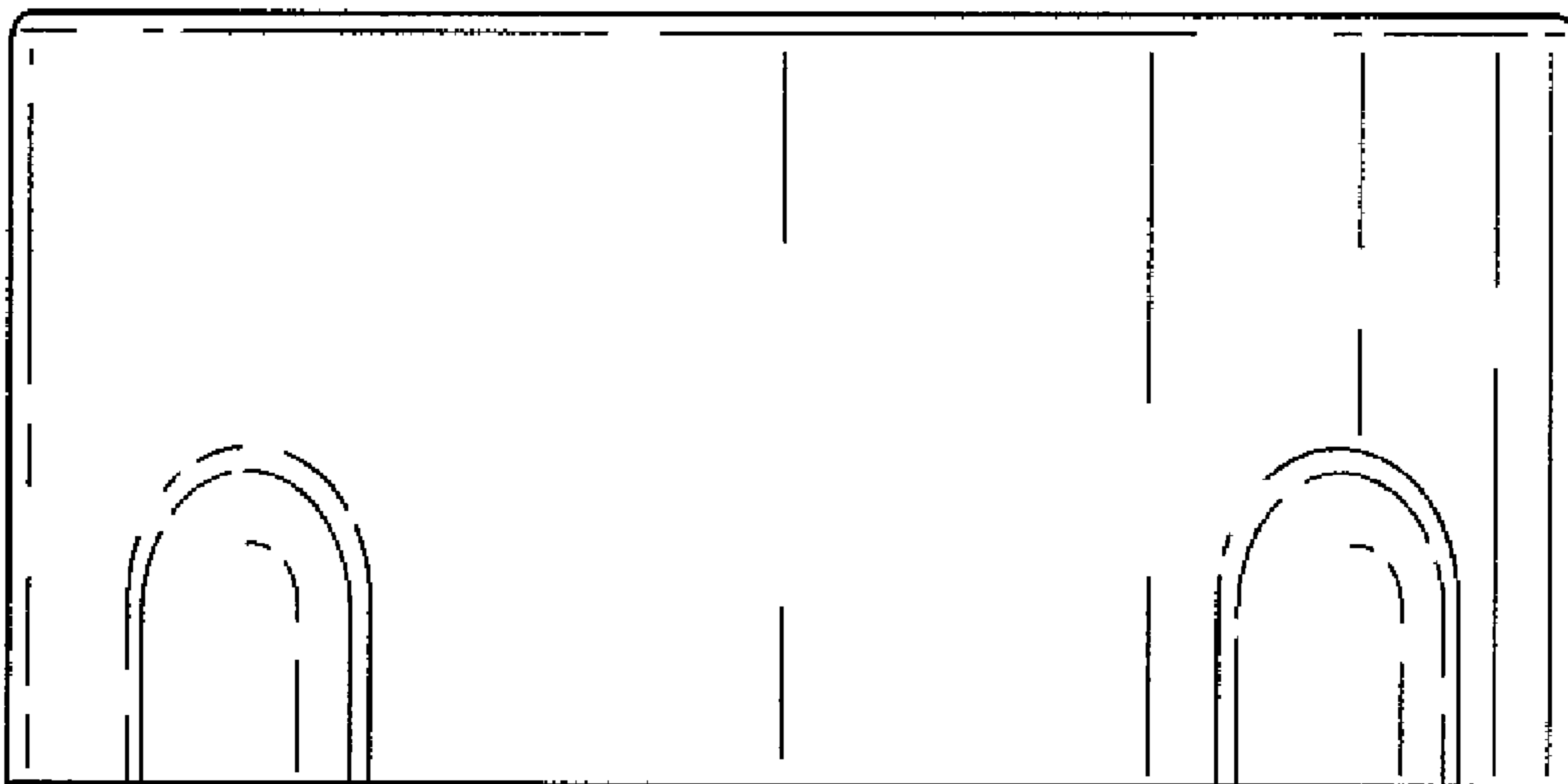


Fig.7.