



US00D564140S

(12) **United States Design Patent**
Madson

(10) **Patent No.:** **US D564,140 S**
(45) **Date of Patent:** **** Mar. 11, 2008**

(54) **STOCK PROD HANDLE AND BASE**

(75) Inventor: **Peter B. Madson**, Minneapolis, MN
(US)

(73) Assignee: **Miller Manufacturing Company, Inc.**,
Savage, MN (US)

(**) Term: **14 Years**

(21) Appl. No.: **29/276,673**

(22) Filed: **Feb. 1, 2007**

Related U.S. Application Data

(62) Division of application No. 29/231,430, filed on Jun.
3, 2005, now Pat. No. Des. 541,490.

(51) **LOC (8) Cl.** **30-05**

(52) **U.S. Cl.** **D30/156; D8/107**

(58) **Field of Classification Search** D30/156,
D30/199; 119/908, 719, 859, 720, 712; D22/117,
D22/118; 30/392-394, 277.4, 355, 272.1,
30/125, 336, DIG. 1, 123.6, 372, 340, 342;
D7/683, 646, 696, 649, 650, 664, 401.2;
231/7; 362/119, 102, 202-207, 577, 109;
D8/30, 8, 63, 64, 98, 107; 446/144, 405,
446/473, 485, 233; D28/58; 43/98; 361/232;
463/47.3-47.4, 36; 340/321; D21/567;
200/18, 293.1; 310/50; 206/349

See application file for complete search history.

(56) **References Cited**

U.S. PATENT DOCUMENTS

D175,158 S 7/1955 Darr
2,981,465 A * 4/1961 Bartel 231/7
D197,606 S * 3/1964 Daher D7/646
D198,023 S * 4/1964 Shwisha D7/646
3,418,713 A * 12/1968 Bauer 30/277.4
D215,934 S 11/1969 Litman
D243,439 S 2/1977 Zernell
4,180,909 A 1/1980 Lind
D255,139 S 5/1980 Smith
D260,071 S 8/1981 Weber

4,394,956 A * 7/1983 Andrews et al. 231/7
4,486,807 A 12/1984 Yanez
D279,133 S 6/1985 Ayres
4,593,466 A * 6/1986 O'Brien 30/296.1
D289,313 S 4/1987 Shy
4,669,186 A 6/1987 Liu
D298,399 S 11/1988 Blochlinger et al.
D298,601 S 11/1988 Tsuji
D299,375 S 1/1989 Pipes

(Continued)

Primary Examiner—Cathron Brooks
Assistant Examiner—Susan Moon Lee
(74) *Attorney, Agent, or Firm*—Moore & Hansen, PLLP

(57) **CLAIM**

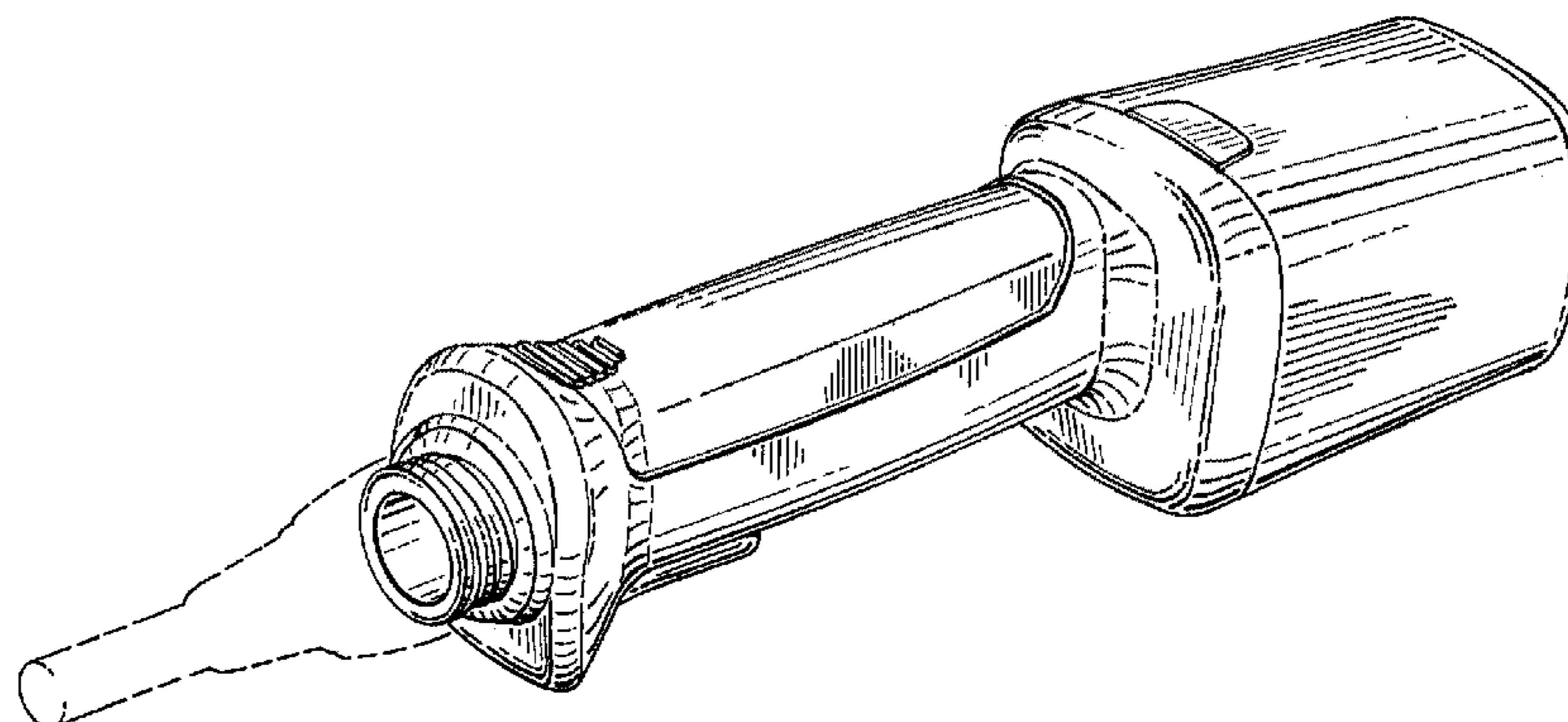
I claim the ornamental design for a stock prod handle and base, as shown and described.

DESCRIPTION

FIG. 1 is a perspective view of a first embodiment of a stock prod handle and base showing my new design;
FIG. 2 is a left side elevational view thereof;
FIG. 3 is a front elevational view thereof;
FIG. 4 is a top plan view thereof;
FIG. 5 is a bottom plan view thereof;
FIG. 6 is a rear elevational view thereof;
FIG. 7 is a perspective view of a second embodiment of a stock prod handle and base shown with a handgrip;
FIG. 8 is a left side elevational view thereof;
FIG. 9 is a front elevational view thereof;
FIG. 10 is a top plan view thereof;
FIG. 11 is a bottom plan view thereof; and,
FIG. 12 is a rear elevational view thereof.

Portions shown in broken line are for illustrative purposes only and form no part of the claimed design.

1 Claim, 4 Drawing Sheets



US D564,140 S

Page 2

U.S. PATENT DOCUMENTS

D303,626 S *	9/1989	Morrison	D8/402	6,401,346 B1 *	6/2002	Roberts	30/380
4,893,815 A *	1/1990	Rowan	463/47.3	D465,978 S	11/2002	Miyanaga	
D306,813 S	3/1990	Naft et al.		D468,066 S	12/2002	Helms et al.	
D317,846 S *	7/1991	van Asten	D7/646	6,487,779 B1	12/2002	Underthun	
D318,149 S	7/1991	Young		D473,611 S	4/2003	Rae	
D329,510 S	9/1992	Lin		6,560,877 B2	5/2003	Sanelli	
D337,022 S	7/1993	Sheets		D477,507 S	7/2003	Lin	
D351,640 S	10/1994	de Anda et al.		D484,022 S	12/2003	Tsai	
D351,766 S *	10/1994	McClosky et al.	D7/646	2001/0024973 A1	9/2001	Meredith	
D359,789 S	6/1995	Seber et al.		2002/0066189 A1	6/2002	Parrish et al.	
D364,011 S	11/1995	Berg et al.		2004/0090777 A1 *	5/2004	Lee	362/202
D365,737 S	1/1996	Chou et al.		2004/0124237 A1 *	7/2004	Bros et al.	231/7
5,528,834 A	6/1996	Seber et al.		2004/0231170 A1 *	11/2004	Neitzell et al.	30/340
D378,798 S	4/1997	Berti					
6,030,272 A	2/2000	Hu					

* cited by examiner

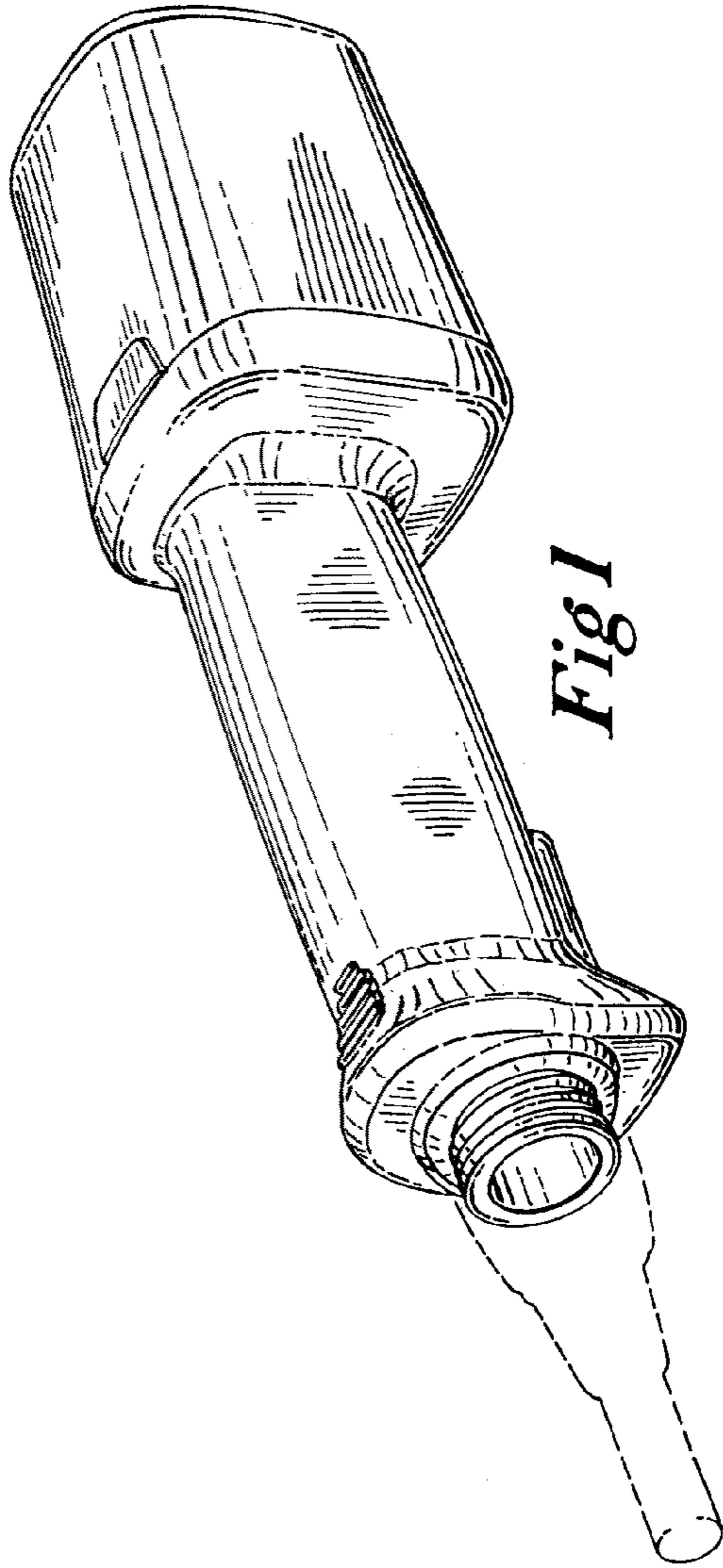


Fig 1

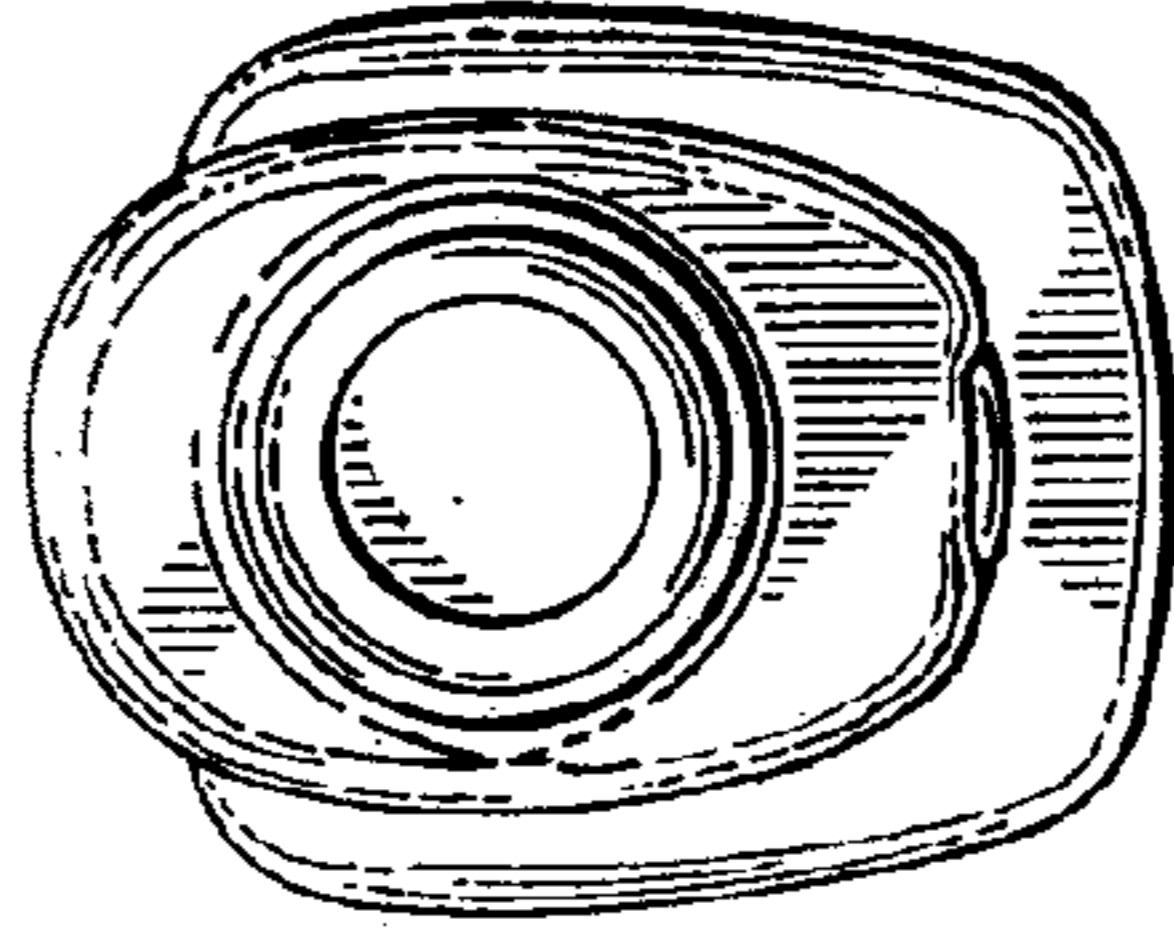


Fig 3

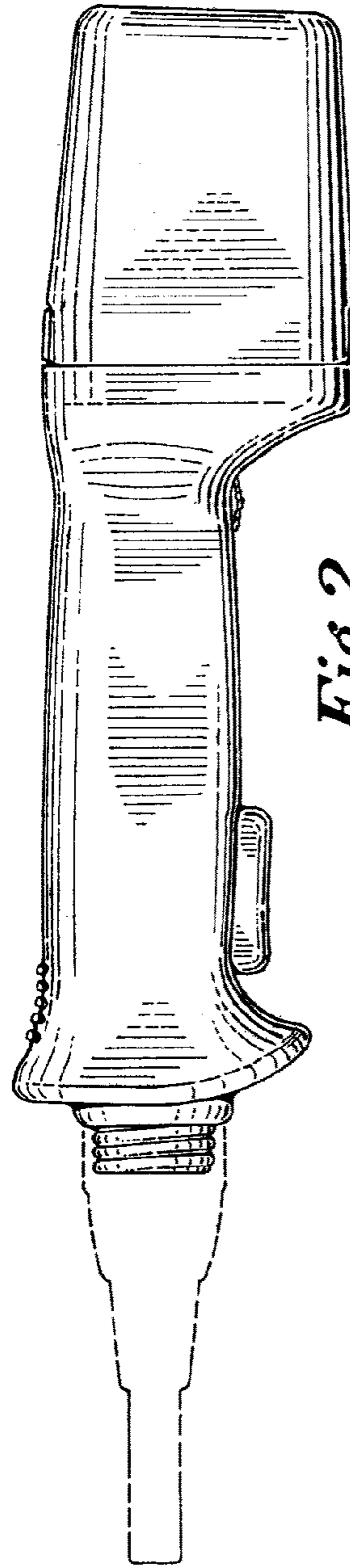


Fig 2

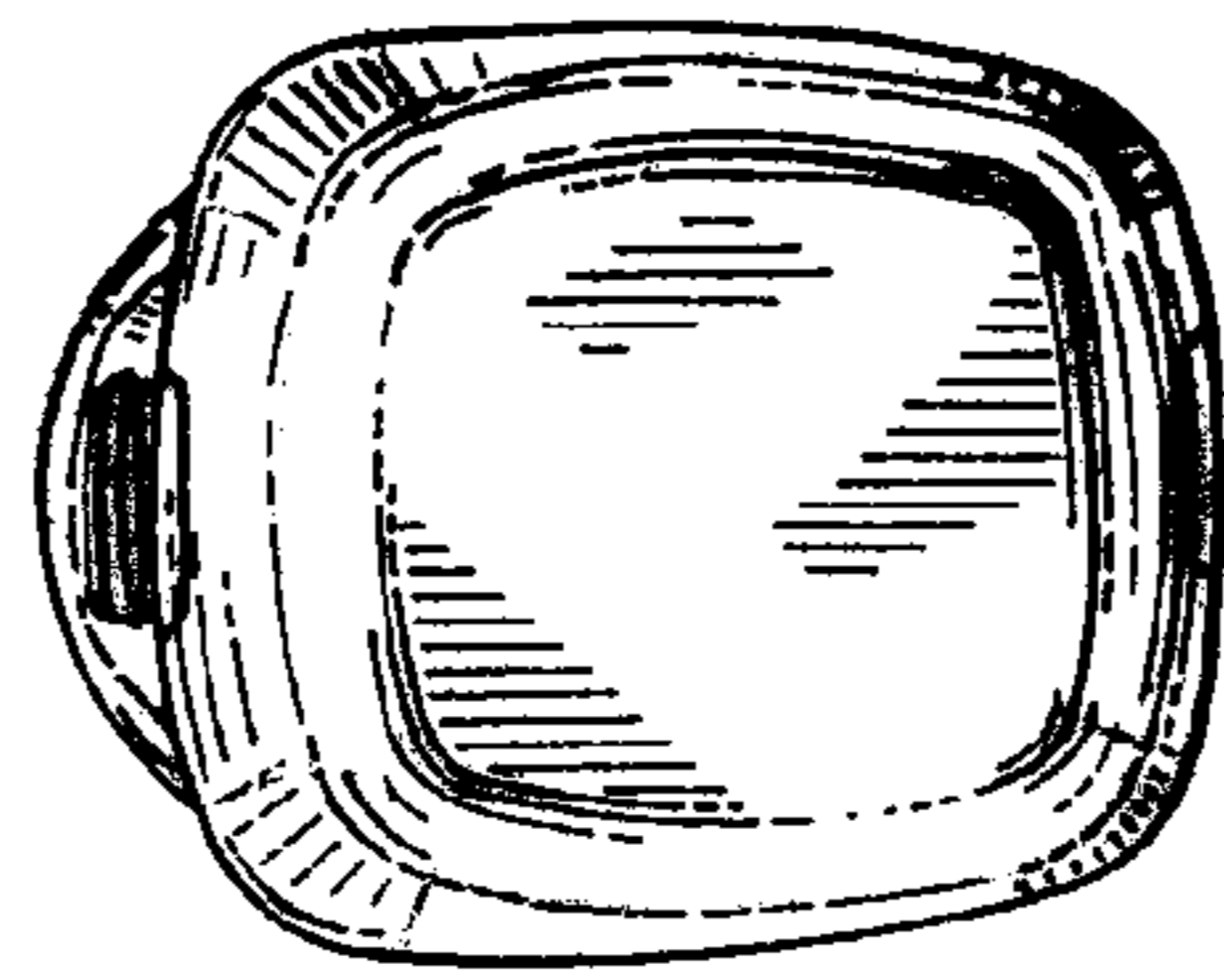


Fig 6

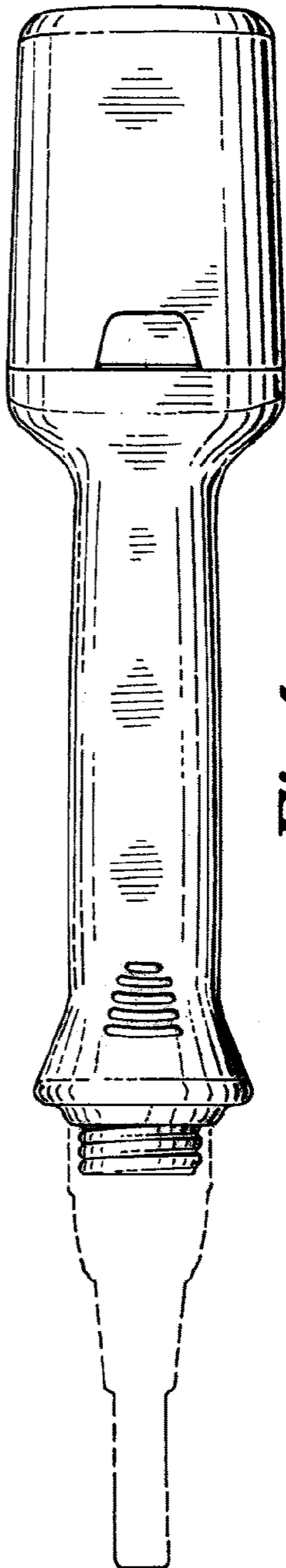


Fig 4

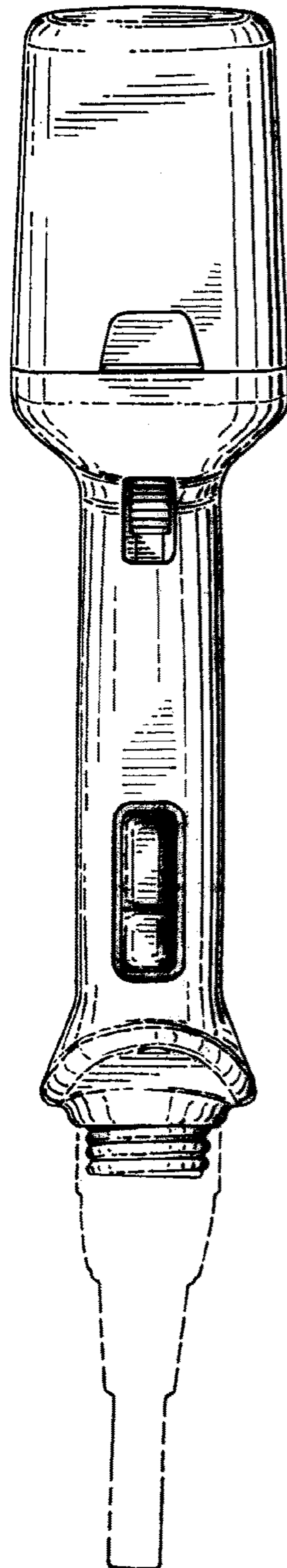


Fig 5

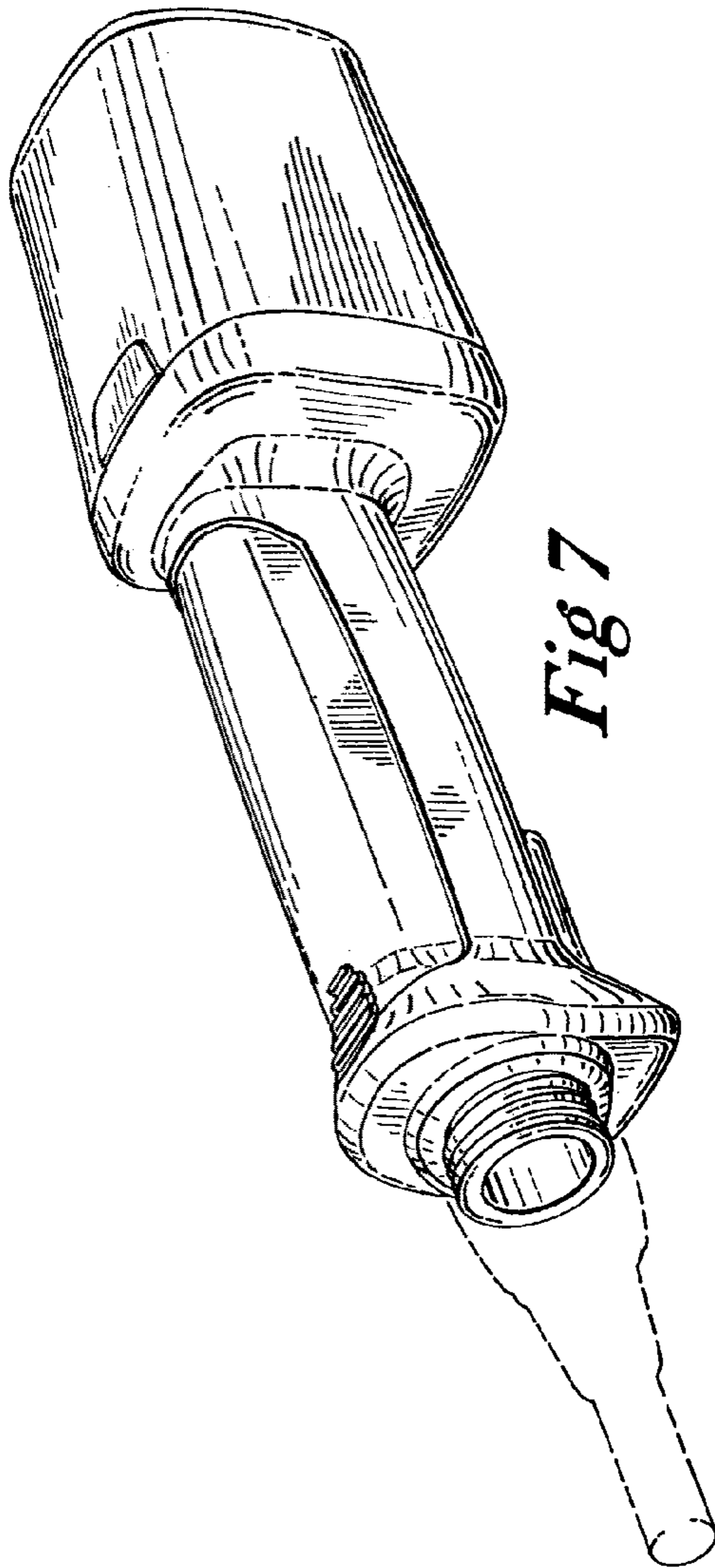


Fig 7

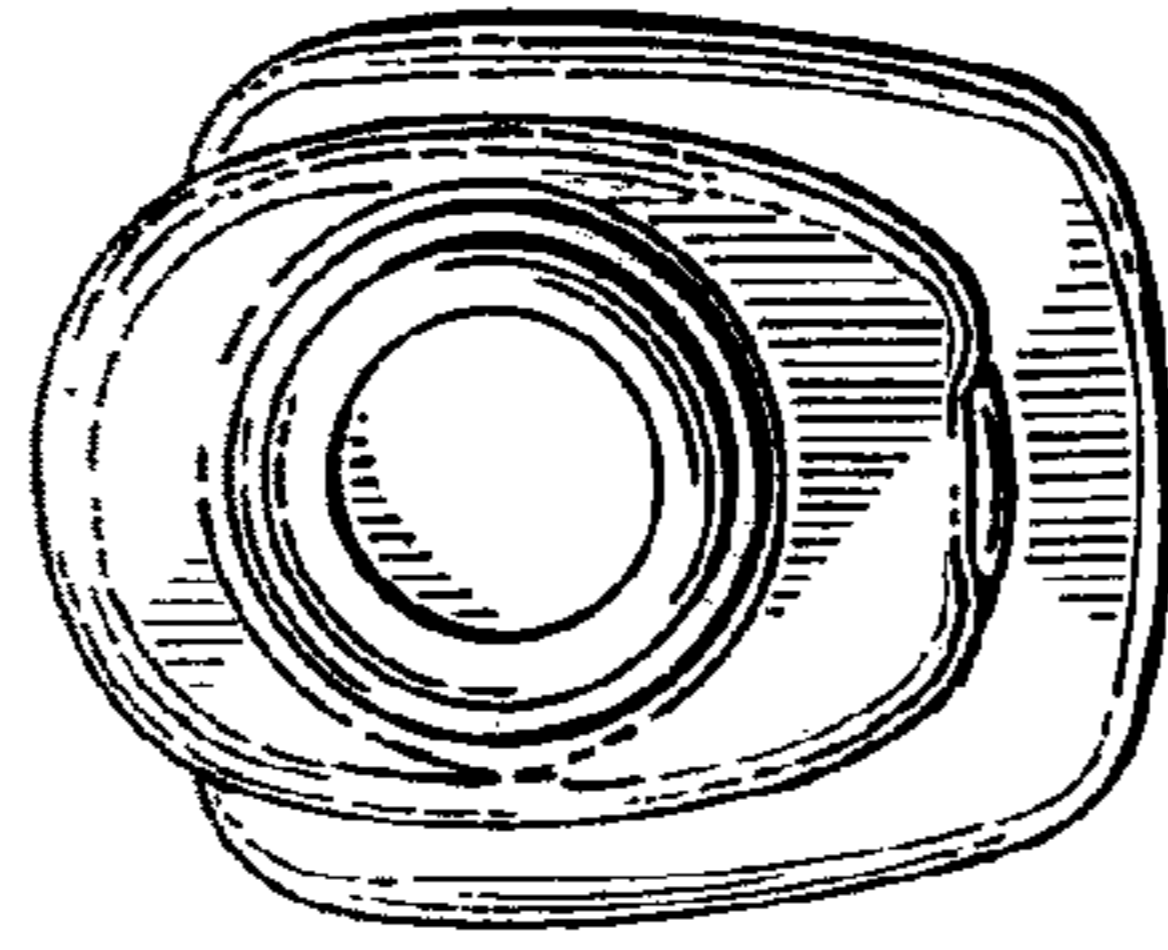


Fig 9

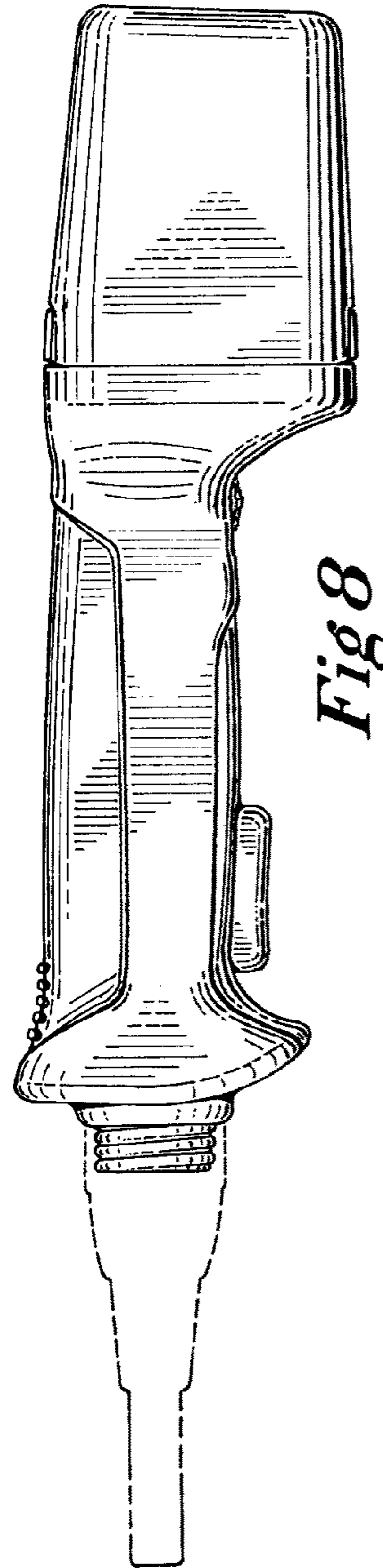


Fig 8

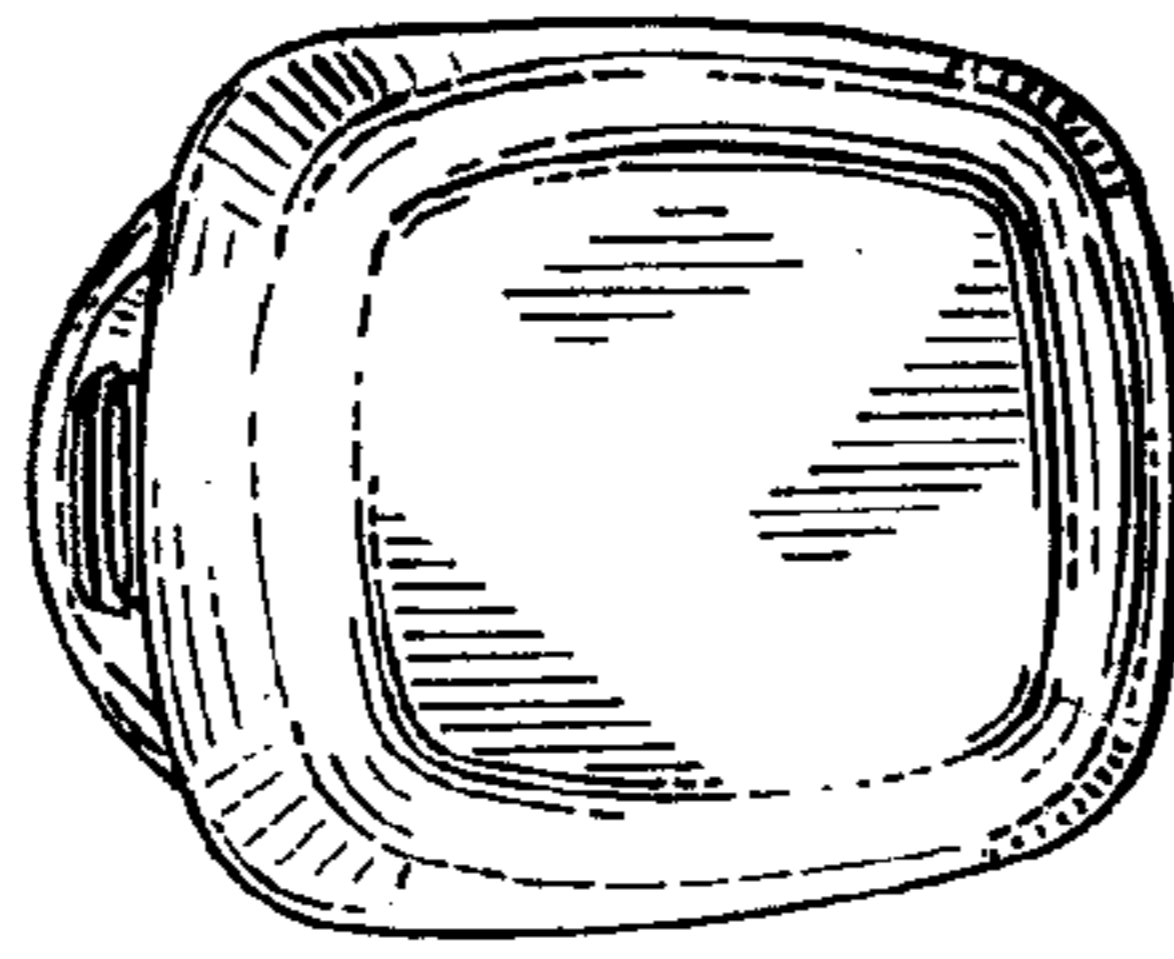


Fig 12

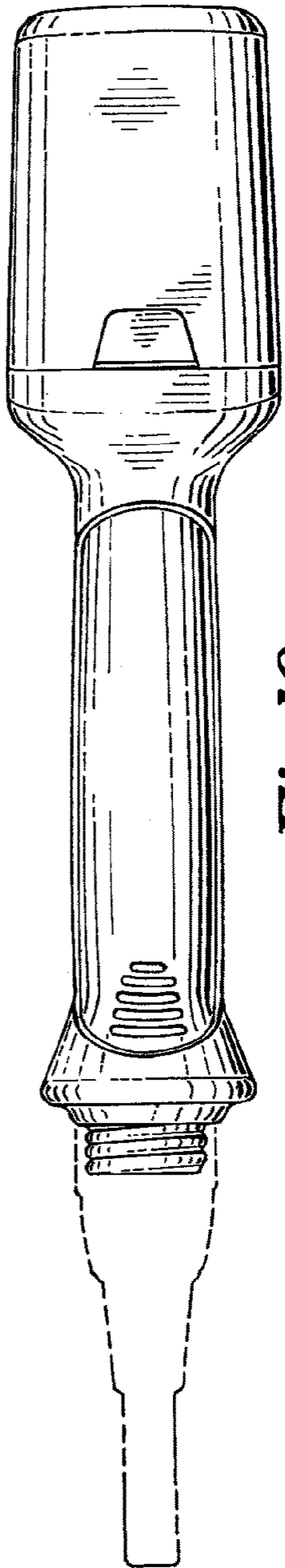


Fig 10

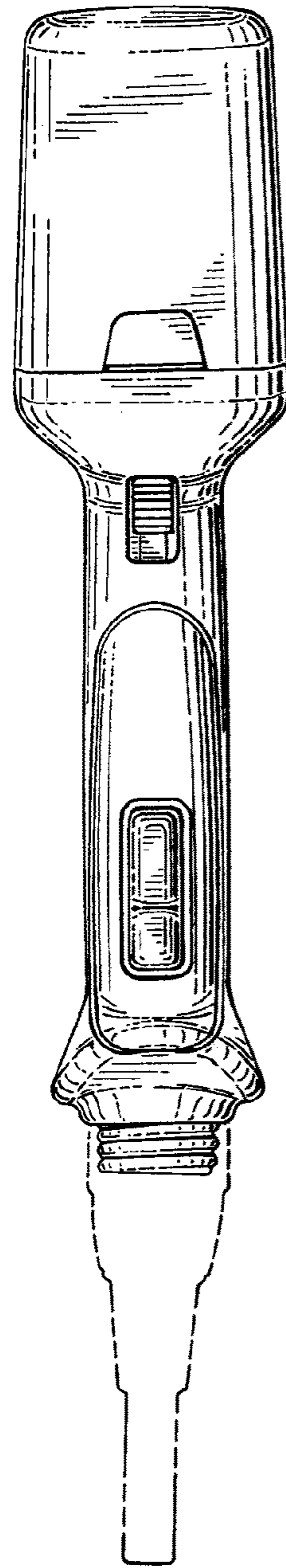


Fig 11