



US00D564133S

(12) **United States Design Patent**
Boyé et al.

(10) **Patent No.:** **US D564,133 S**
(45) **Date of Patent:** **** Mar. 11, 2008**

(54) **COMPACT**

(75) Inventors: **Gail Boyé**, New Hope, PA (US);
Joseph R. Tuschong, Bethpage, NY (US)

(73) Assignee: **Avon Products, Inc.**, New York, NY (US)

(**) Term: **14 Years**

(21) Appl. No.: **29/286,583**

(22) Filed: **May 11, 2007**

Related U.S. Application Data

(63) Continuation-in-part of application No. 11/713,999, filed on Mar. 5, 2007.

(51) **LOC (8) Cl.** **28-03**

(52) **U.S. Cl.** **D28/83**

(58) **Field of Classification Search** 132/286,
132/287, 288, 293–307, 312–318; D28/76–84;
206/581, 823

See application file for complete search history.

(56) **References Cited**

U.S. PATENT DOCUMENTS

1,518,594	A *	12/1924	Marble	132/295
2,570,314	A *	10/1951	Brand	132/304
5,437,294	A *	8/1995	Ebbets et al.	132/304
6,223,754	B1 *	5/2001	Burdi et al.	132/300
D453,859	S *	2/2002	Spearman	D28/77
D456,954	S *	5/2002	Restrepo	D28/83
2006/0286894	A1 *	12/2006	Kelly	446/295

* cited by examiner

Primary Examiner—Jennifer Rivard

(74) *Attorney, Agent, or Firm*—Charles J. Zeller; Joan M. McGillicuddy; Anthony M. Santiri

(57) **CLAIM**

The ornamental design for a compact, as shown and described.

DESCRIPTION

FIG. 1 is a perspective view of a compact of the present invention in a closed state;

FIG. 2 is a front view thereof;

FIG. 3 is a rear view thereof;

FIG. 4 is a left side view thereof;

FIG. 5 is a right side view thereof;

FIG. 6 is a top view thereof;

FIG. 7 is a bottom view thereof;

FIG. 8 is a perspective view of the compact of the present invention in an open state having a palette at a first position in an inner frame;

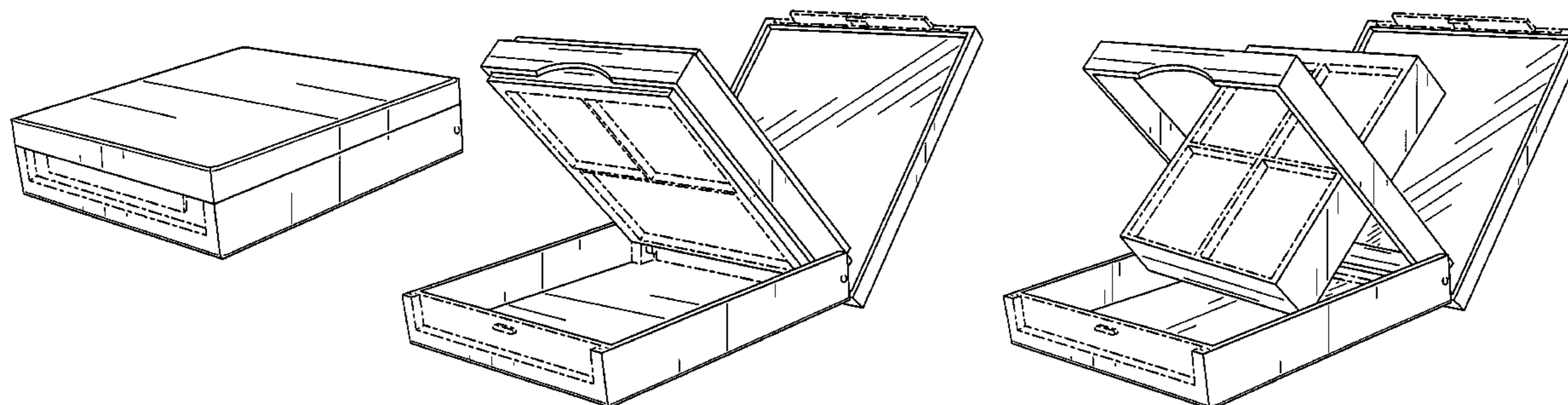
FIG. 9 is a perspective view of the compact of the present invention in the open state having the palette between the first position and the second position in the inner frame;

FIG. 10 is a first perspective view of the compact of the present invention in the open state having the palette at the second position in the inner frame; and,

FIG. 11 is a second perspective view of the compact of the present invention in the open state having the palette at the second position in the inner frame.

The broken lines are shown for illustrative purposes only and form no part of the claimed design.

1 Claim, 9 Drawing Sheets



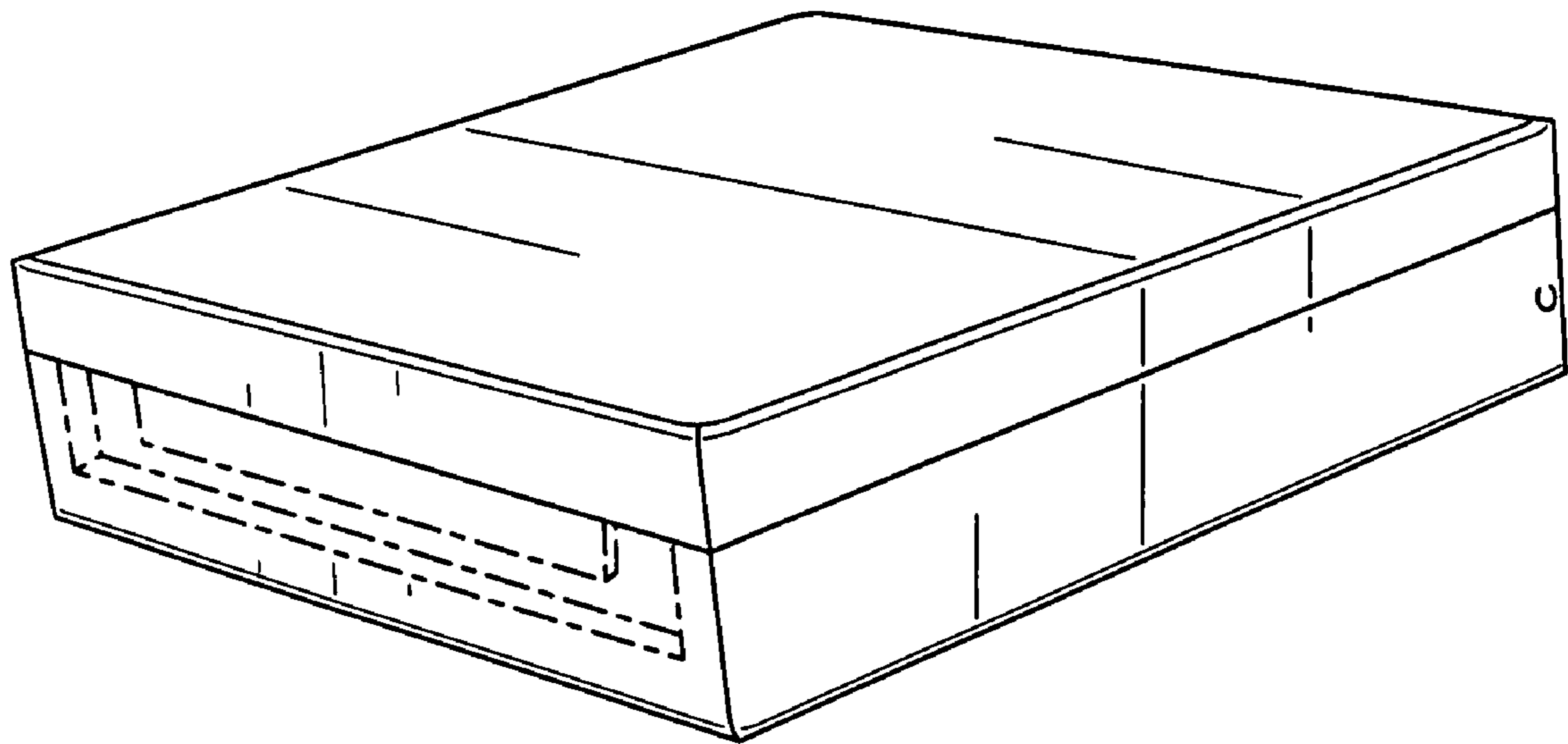


FIG. 1

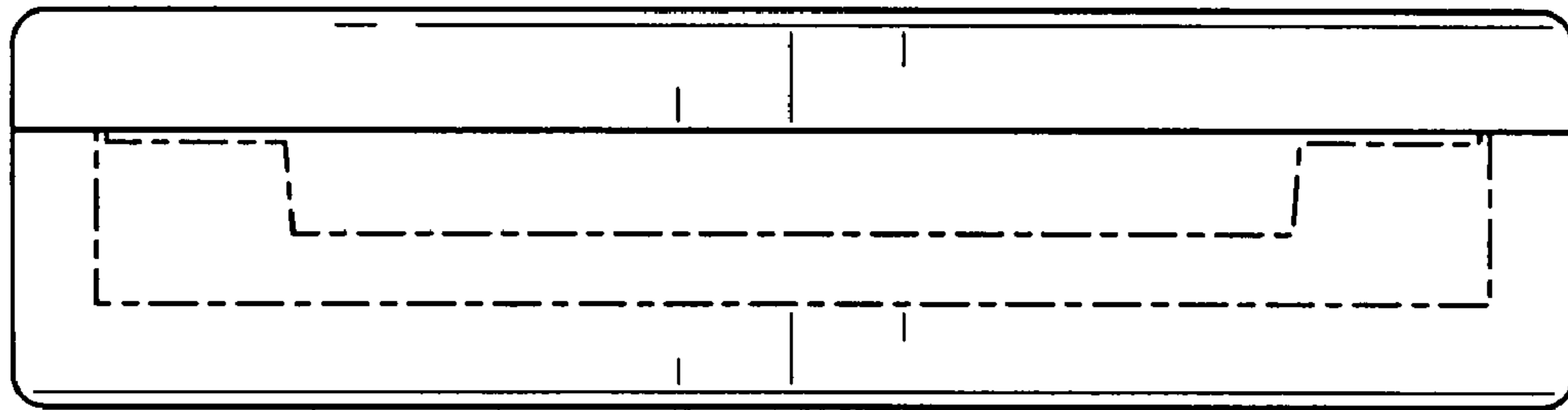


FIG. 2

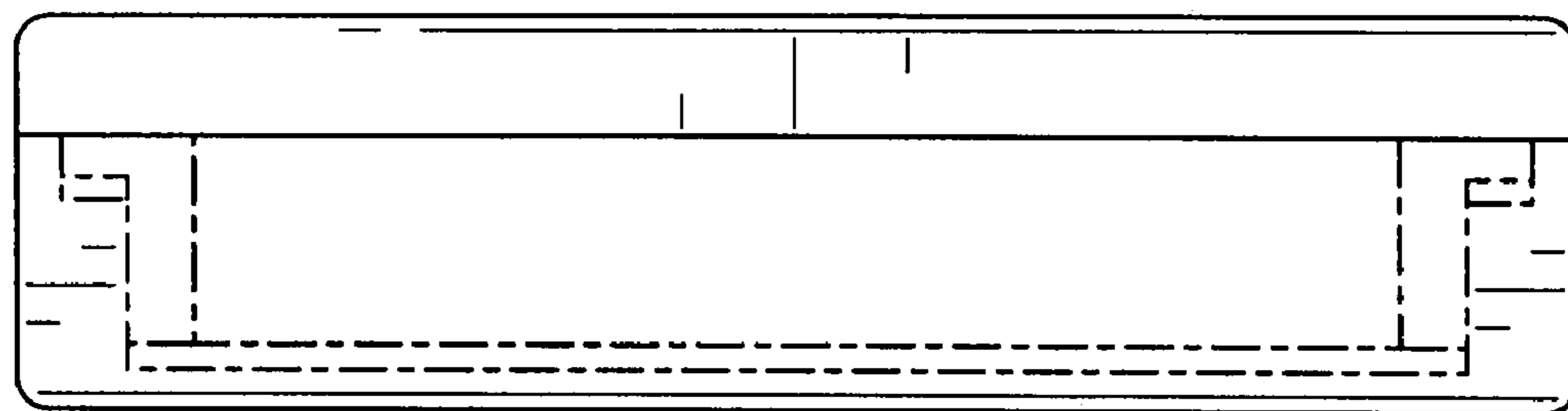


FIG. 3

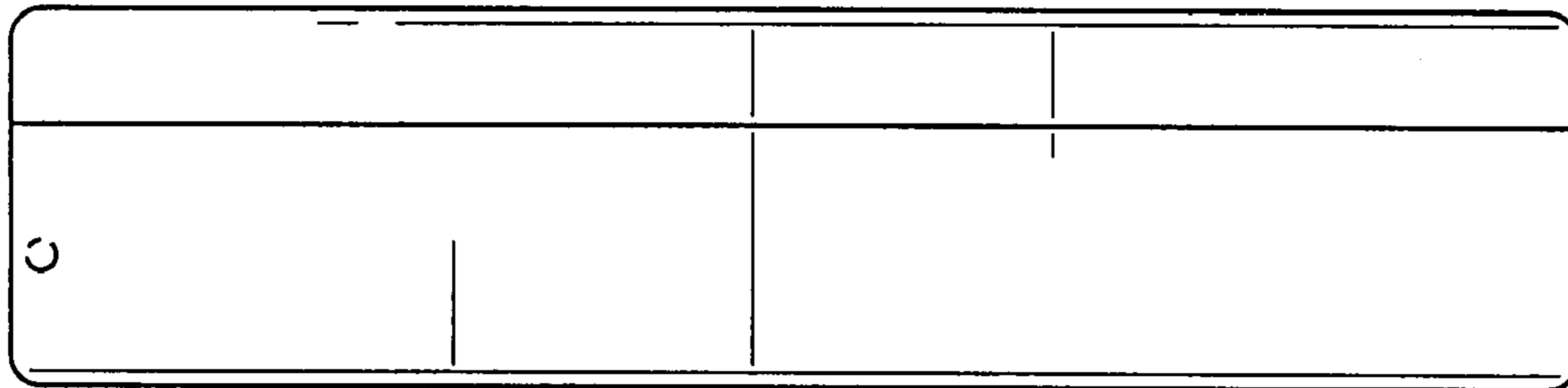


FIG. 4

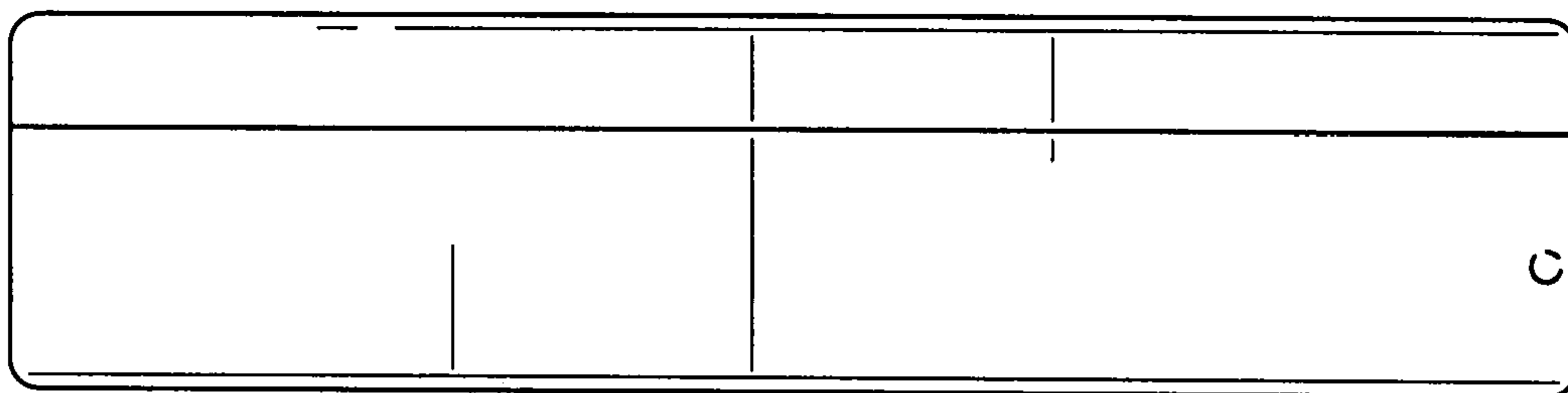


FIG. 5

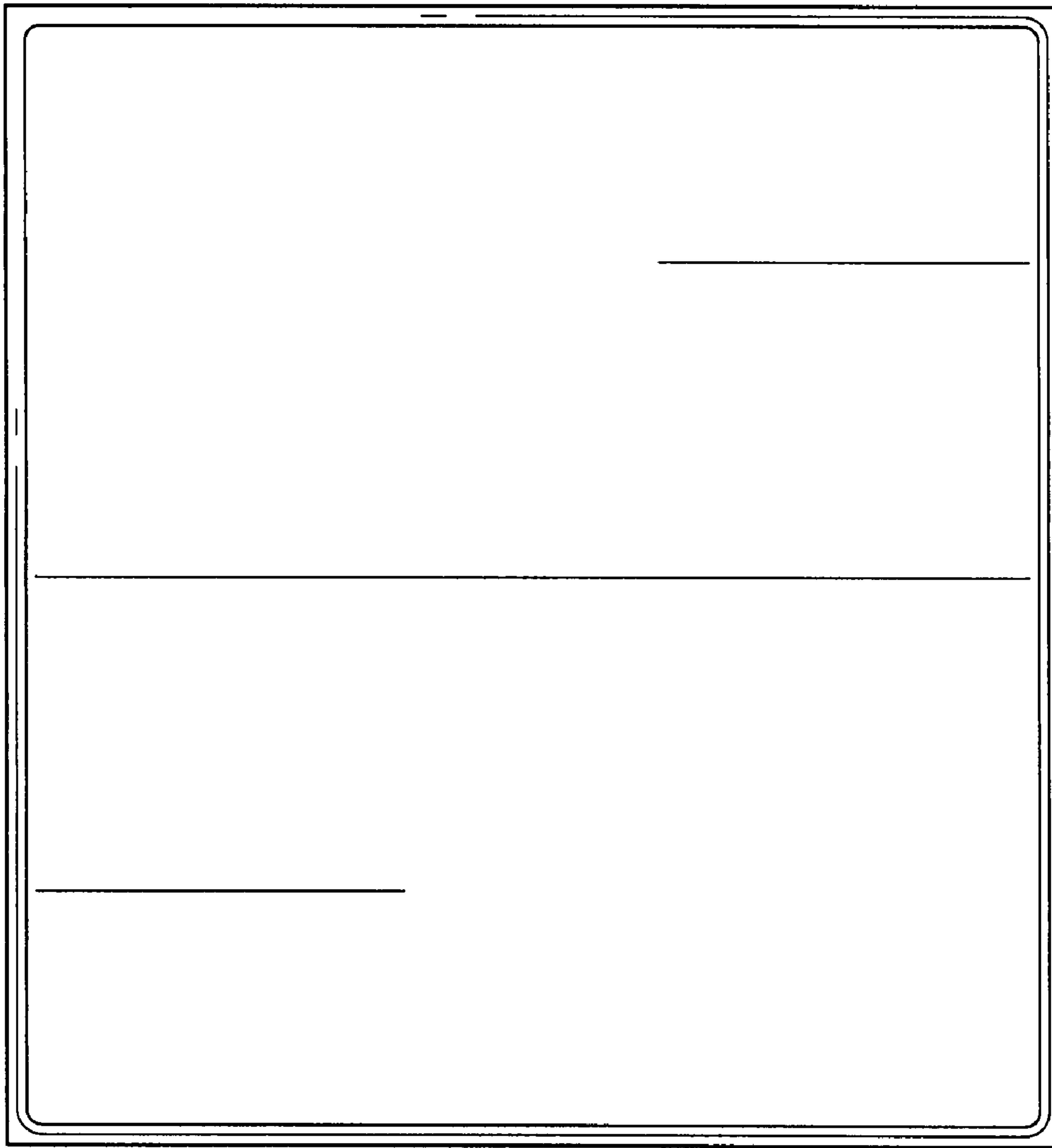


FIG. 6

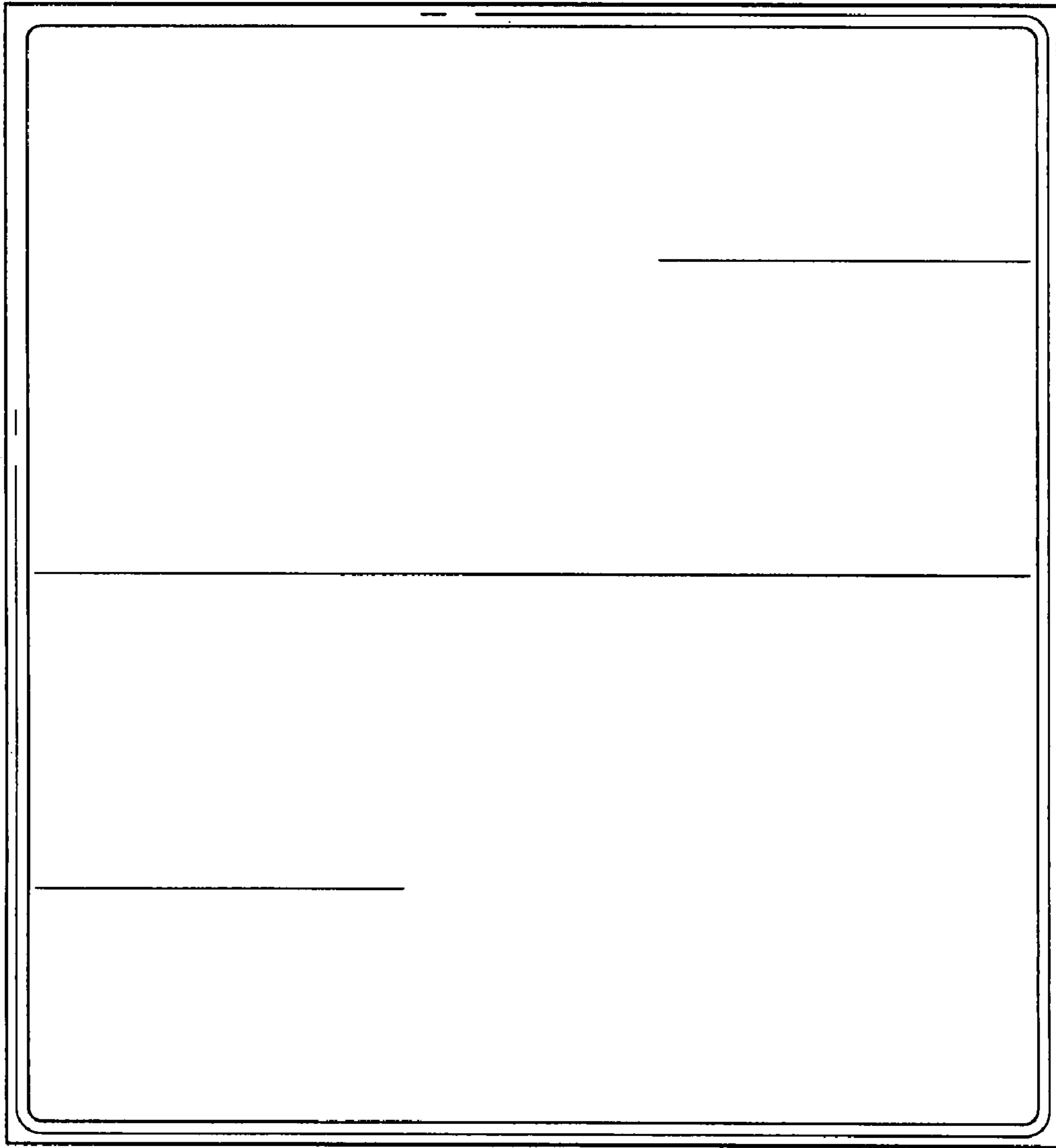


FIG. 7

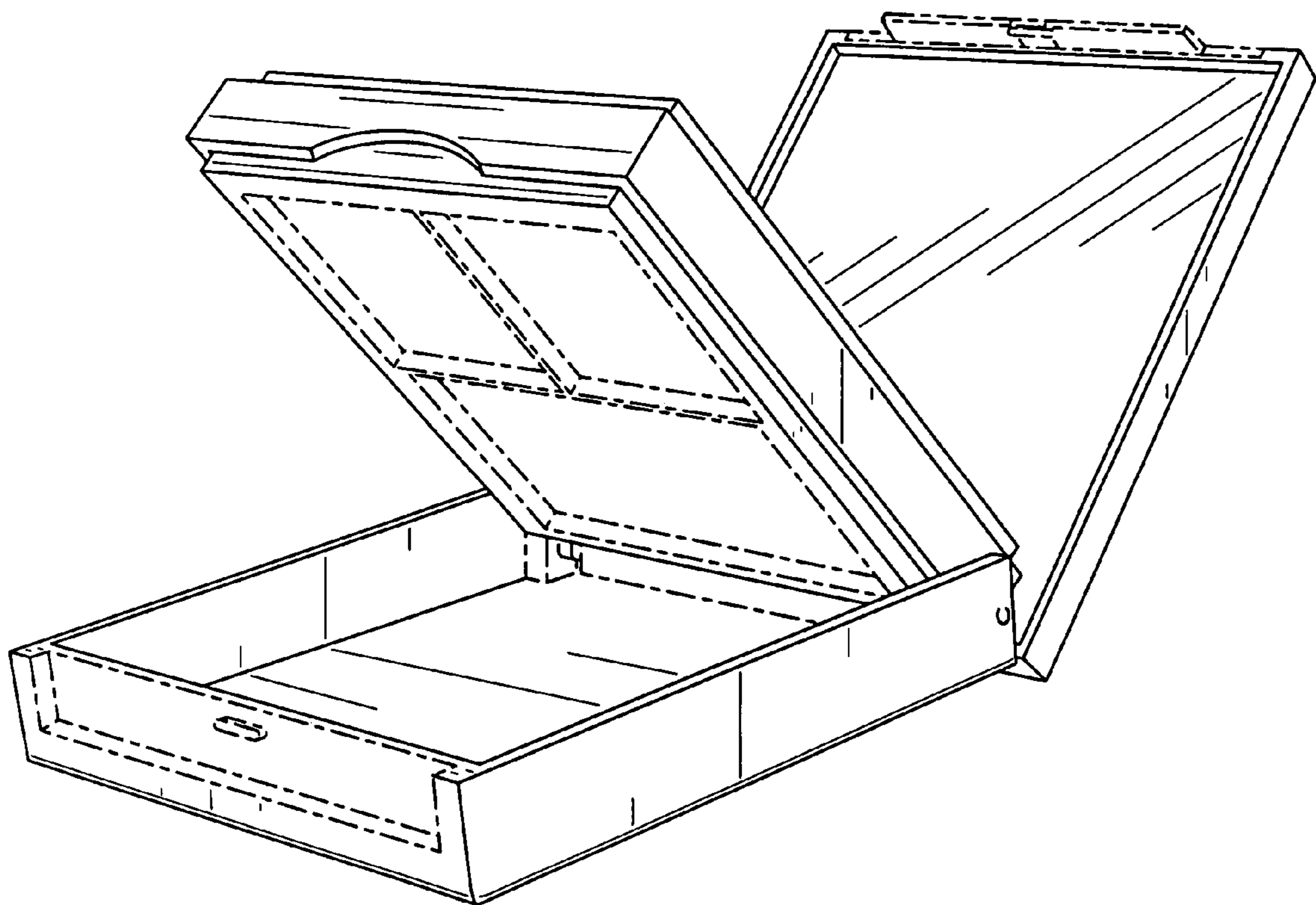


FIG. 8

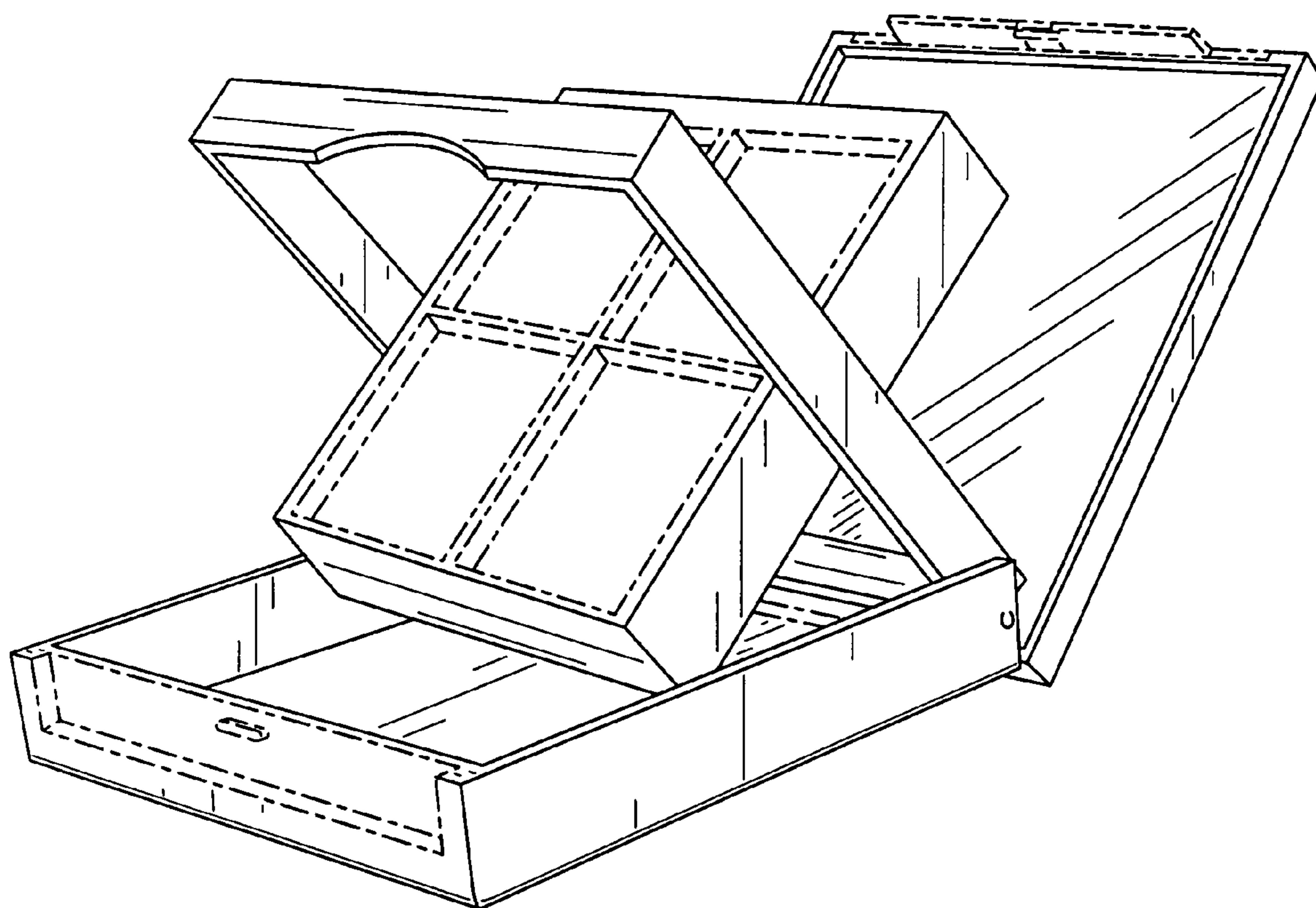


FIG. 9

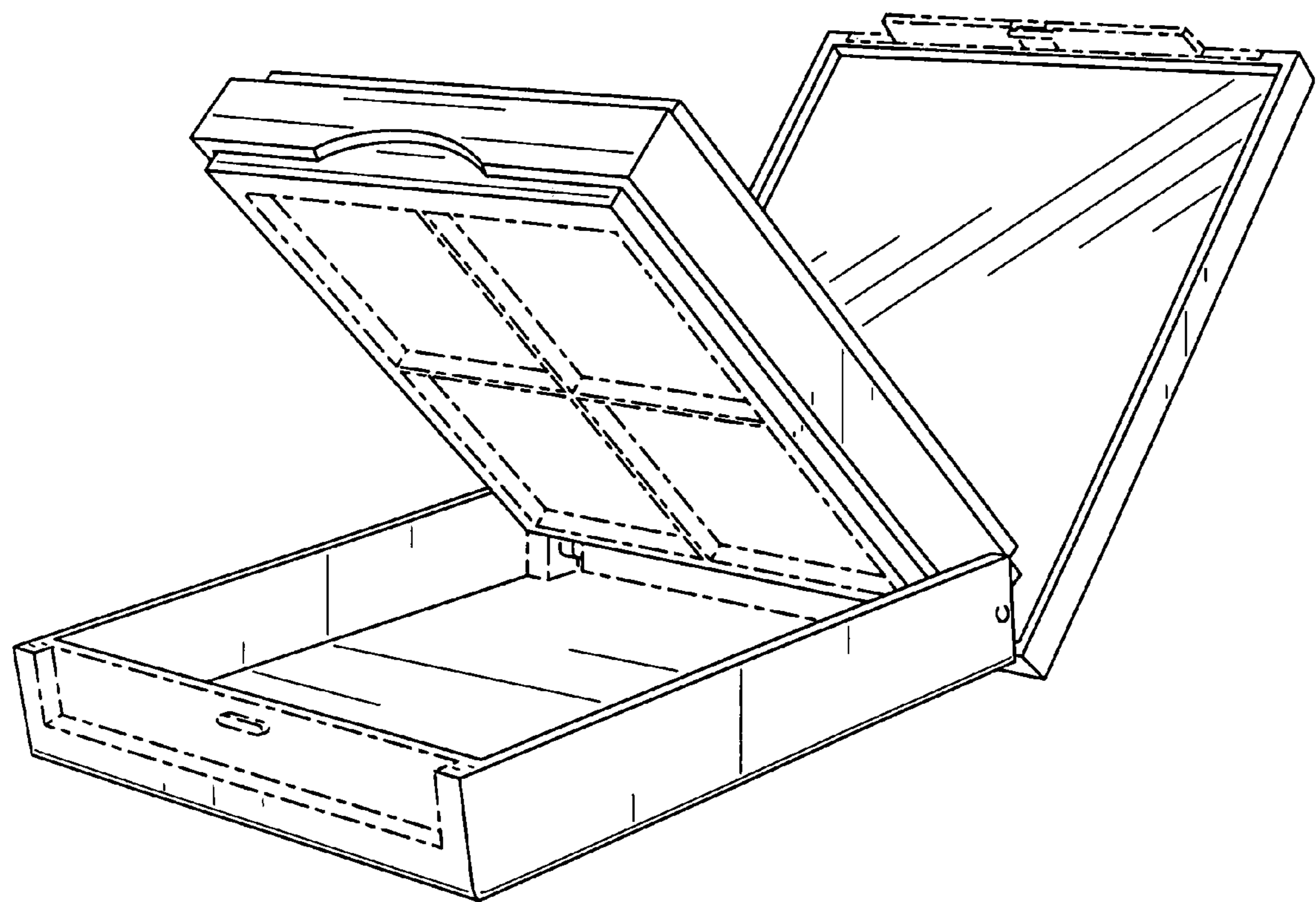


FIG. 10

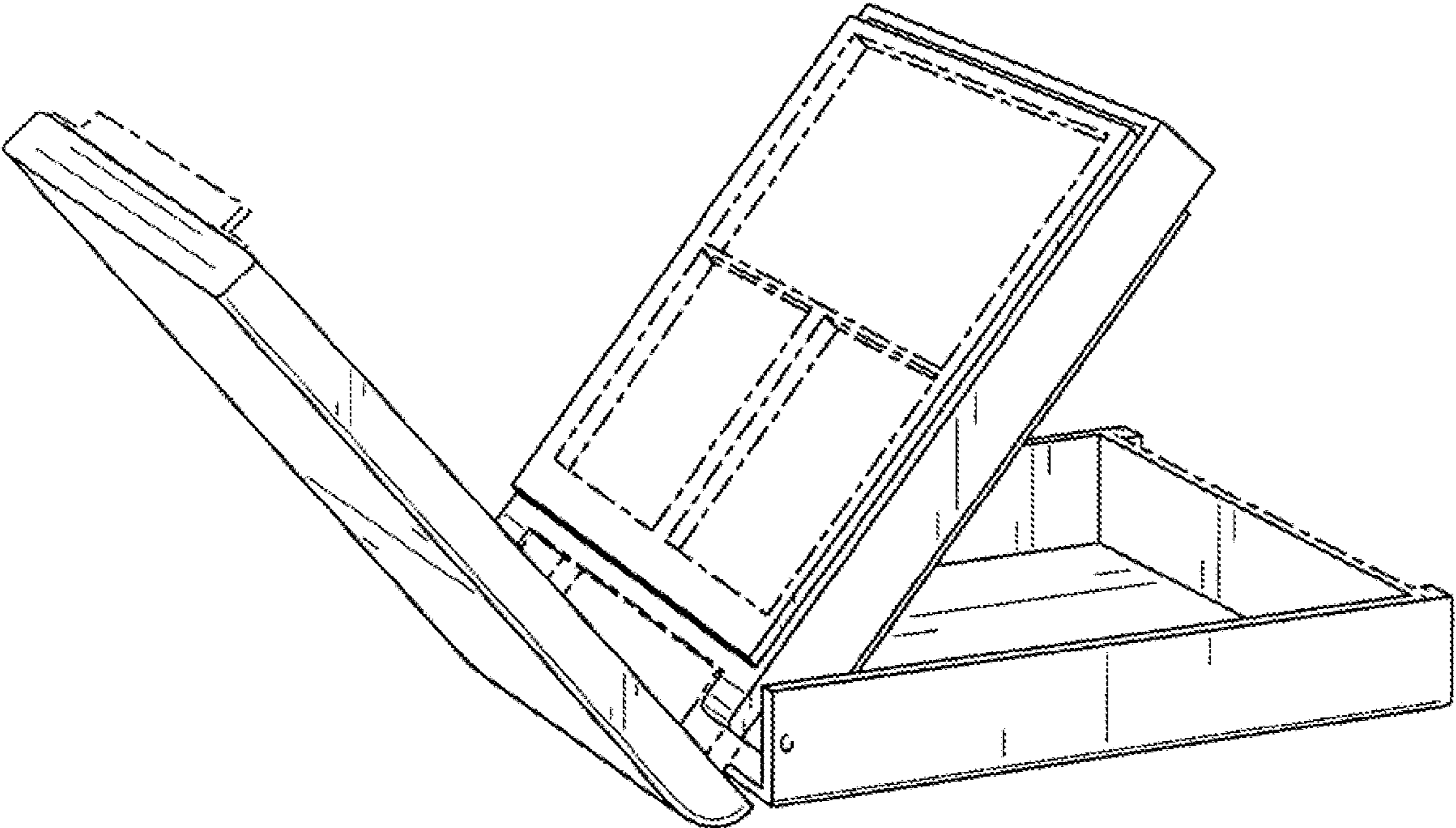


FIG. 11