



US00D564132S

(12) **United States Design Patent**
Gonzalez

(10) **Patent No.:** **US D564,132 S**
(45) **Date of Patent:** **** Mar. 11, 2008**

(54) **RAZOR WITH LATERALLY MOVING HEAD**

(76) Inventor: **Mario E. Gonzalez**, 13507 Brandon Ct., Fontana, CA (US) 92336

(**) Term: **14 Years**

(21) Appl. No.: **29/191,176**

(22) Filed: **Oct. 3, 2003**

(51) **LOC (8) Cl.** **28-03**

(52) **U.S. Cl.** **D28/47**

(58) **Field of Classification Search** 30/32,
30/34.05, 34.1, 34.2, 41-41.8, 44-45, 47-51,
30/53-58, 62, 64-66; D28/44.1-48
See application file for complete search history.

(56) **References Cited**

U.S. PATENT DOCUMENTS

- 1,766,398 A * 6/1930 Muros 30/40
- 2,663,079 A * 12/1953 Peterson D28/47
- 3,810,305 A 5/1974 Perry
- D255,162 S * 5/1980 Trotta D28/47

- 4,347,663 A 9/1982 Ullmo
- 4,942,662 A 7/1990 Radcliffe
- 5,778,535 A * 7/1998 Ledesma 30/50

* cited by examiner

Primary Examiner—Jennifer Rivard

(74) *Attorney, Agent, or Firm*—Richard L. Mikesell

(57) **CLAIM**

The ornamental design for the razor with laterally moving head, as shown and described.

DESCRIPTION

FIG. 1 is a Rear Left perspective view of the design of the instant invention;

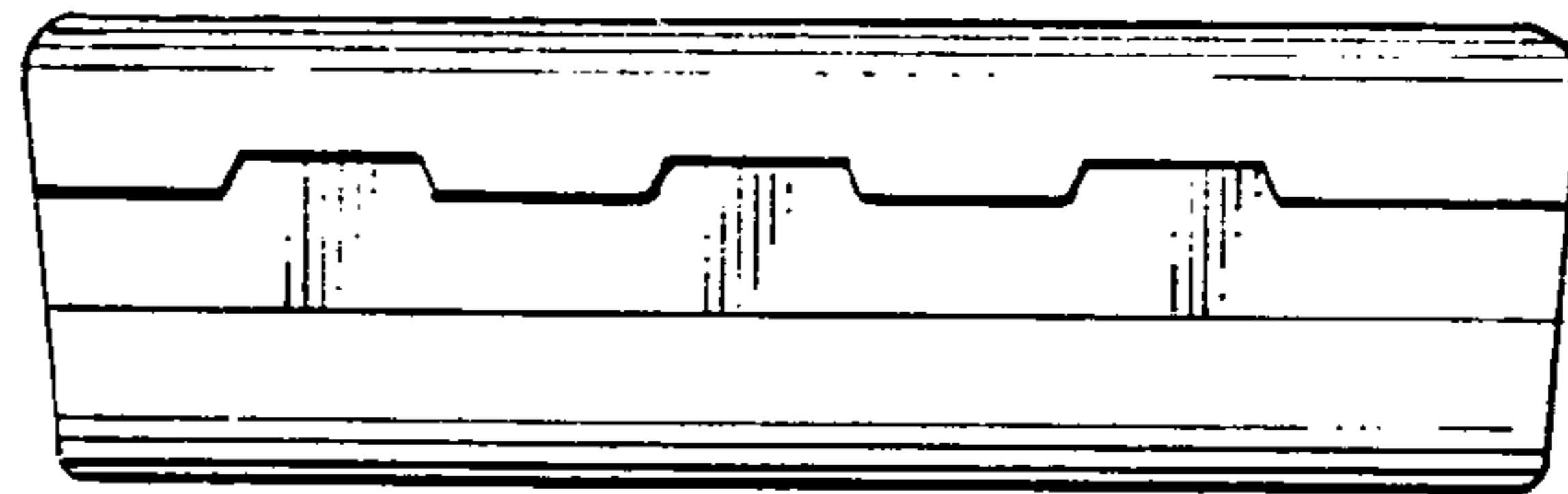
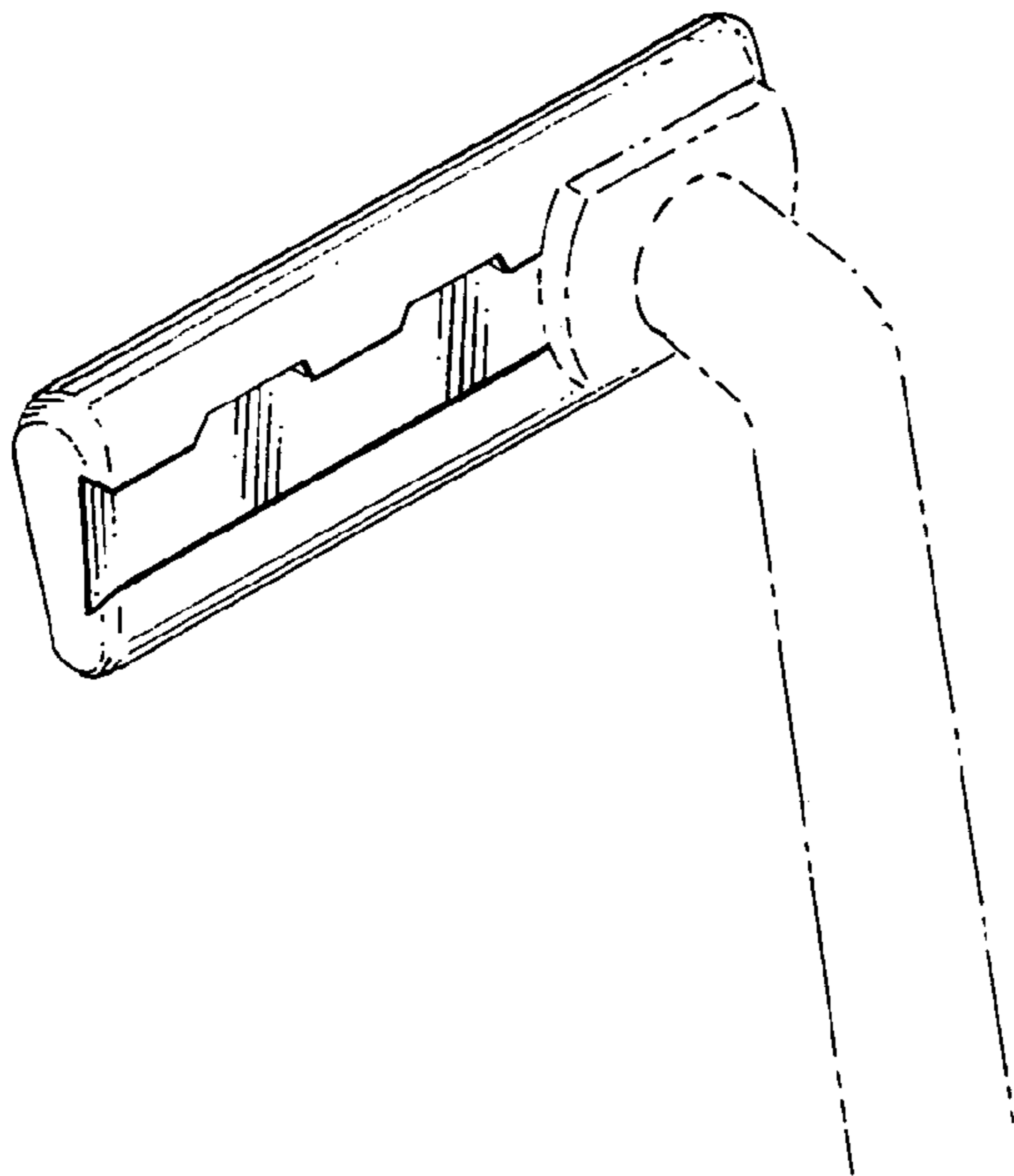
FIG. 2 is a rear elevation.

FIG. 3 is a Right Side elevation; and,

FIG. 4 is a Left Side elevation;

The broken lines shown are for illustrative purposes only and form no part of the claimed design.

1 Claim, 1 Drawing Sheet



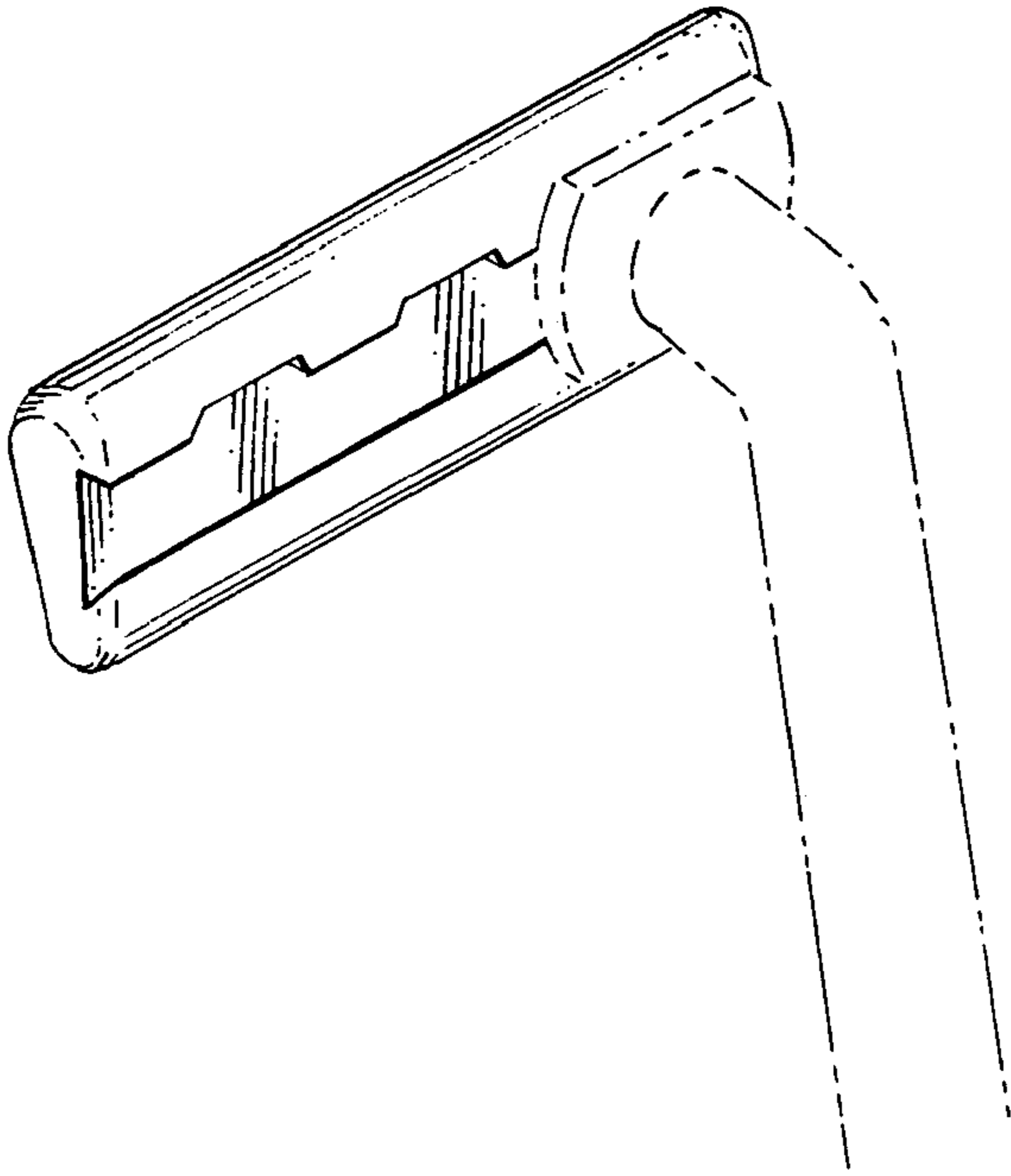


FIG. 1

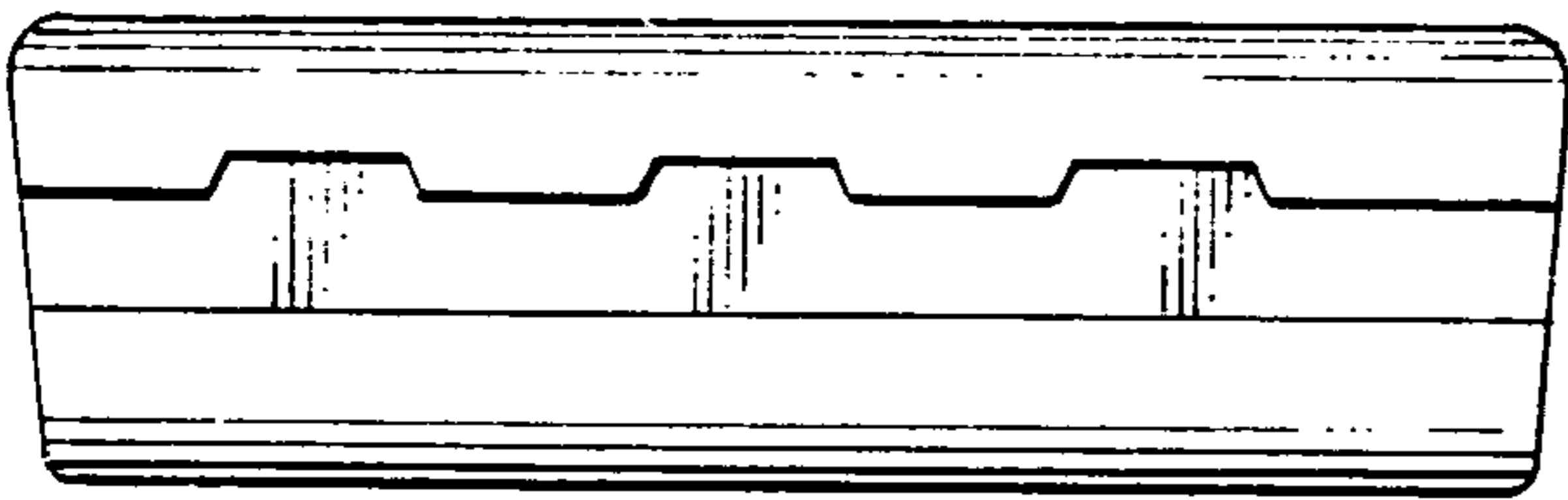


FIG. 2



FIG. 3



FIG. 4