

US00D564125S

(12) **United States Design Patent**
Chandler

(10) **Patent No.:** **US D564,125 S**
(45) **Date of Patent:** **** Mar. 11, 2008**

(54) **WALL SCONCE**

(57) **CLAIM**

(75) Inventor: **George Chandler**, Fair Haven, VT
(US)

The ornamental design for a wall sconce, as shown and described.

(73) Assignee: **Hubbardton Forgo**, Castleton, VT
(US)

DESCRIPTION

(**) Term: **14 Years**

FIG. 1 is a perspective view of the wall sconce according to the present invention;

(21) Appl. No.: **29/275,104**

FIG. 2 is a front view of the wall sconce shown in FIG. 1;

(22) Filed: **Dec. 13, 2006**

FIG. 3 is a back view of the wall sconce according to the present invention;

(51) **LOC (8) Cl.** **26-03**

FIG. 4 is a left view of the wall sconce according to the present invention;

(52) **U.S. Cl.** **D26/85**

FIG. 5 is a right view of the wall sconce according to the present invention;

(58) **Field of Classification Search** D26/4,
D26/24, 25, 26, 27, 72, 73, 85, 86, 87, 101,
D26/125; 362/555, 236, 252, 121, 554, 556,
362/566, 567, 576, 581, 122, 147, 641, 644,
362/653, 654, 241, 244, 297, 806, 807
See application file for complete search history.

FIG. 6 is a top view of the wall sconce according to the present invention;

FIG. 7 is a bottom view of the wall sconce according to the present invention;

(56) **References Cited**

FIG. 8 is a perspective view of another embodiment of the wall sconce according to the present invention;

U.S. PATENT DOCUMENTS

FIG. 9 is a front view of the wall sconce shown in FIG. 8;

| | | | | |
|----------------|---------|-----------------|-------|---------|
| D303,849 S * | 10/1989 | Nugent | | D26/85 |
| D430,329 S * | 8/2000 | Landefeld | | D26/87 |
| D448,106 S * | 9/2001 | Lin | | D26/87 |
| D452,031 S * | 12/2001 | Brunner et al. | | D26/87 |
| D456,553 S * | 4/2002 | Russello et al. | | D26/85 |
| D456,932 S * | 5/2002 | Crosby | | D26/85 |
| D457,260 S * | 5/2002 | Littman | | D26/87 |
| D457,679 S * | 5/2002 | Littman | | D26/87 |
| D460,575 S * | 7/2002 | Tergny et al. | | D26/89 |
| 6,755,550 B1 * | 6/2004 | Lackey | | 362/147 |
| D501,060 S * | 1/2005 | Lee | | D26/86 |
| D513,439 S * | 1/2006 | Hetfield | | D26/76 |
| D550,390 S * | 9/2007 | Chandler et al. | | D26/87 |

FIG. 10 is a back view of the wall sconce according to the second embodiment of present invention;

FIG. 11 is a left view of the wall sconce according to the present invention;

FIG. 12 is a right view of the wall sconce according to the second embodiment of the present invention;

FIG. 13 is a top view of the wall sconce according to the second embodiment of the present invention; and,

FIG. 14 is a bottom view of the wall sconce according to the second embodiment of the present invention.

* cited by examiner

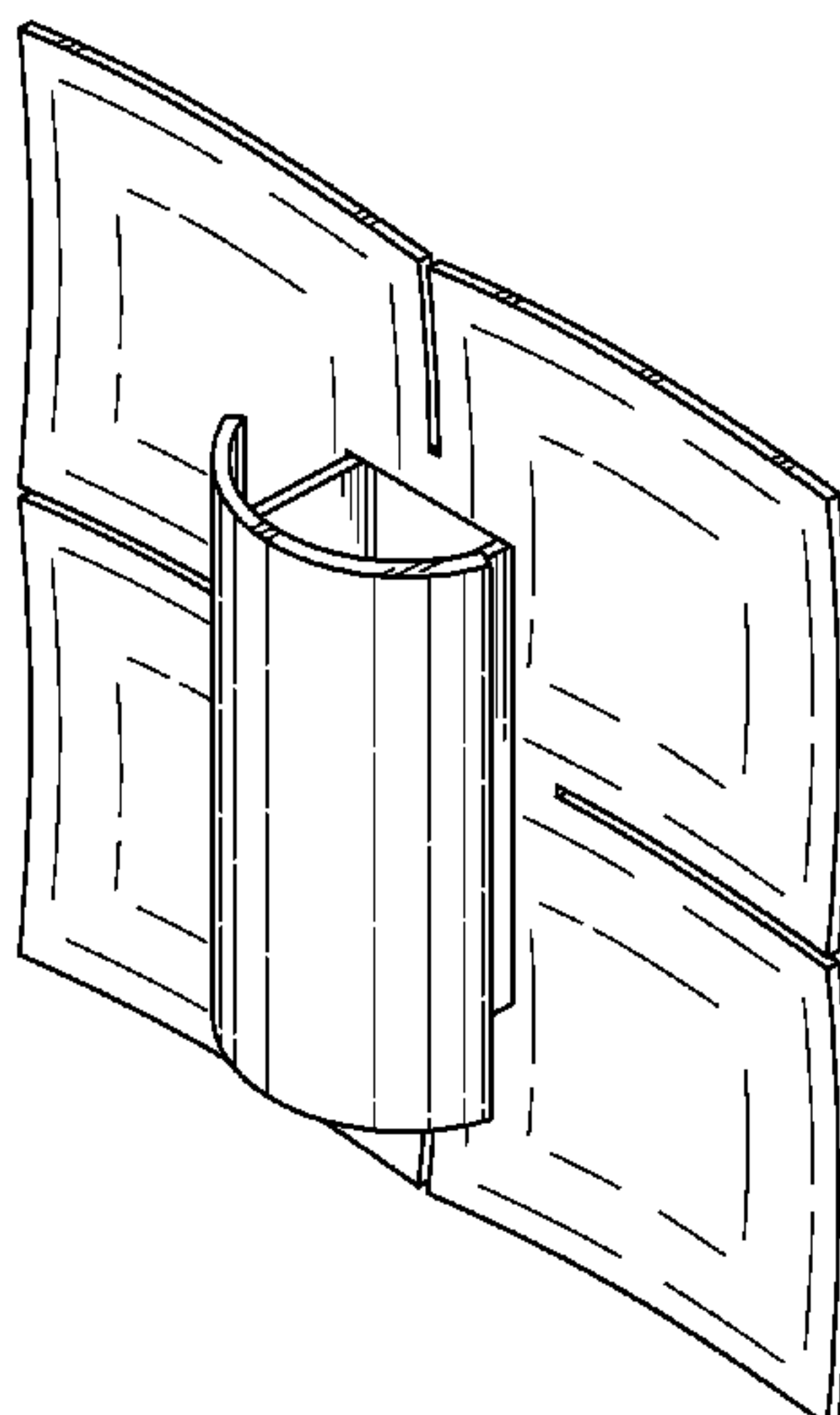
The broken line showing of portions of the wall sconce is included for the purpose of illustrating environmental structure and forms no part of the claimed design.

Primary Examiner—Freda S. Nunn

Assistant Examiner—Angela J Lee

(74) *Attorney, Agent, or Firm*—Bourque & Associates

1 Claim, 12 Drawing Sheets



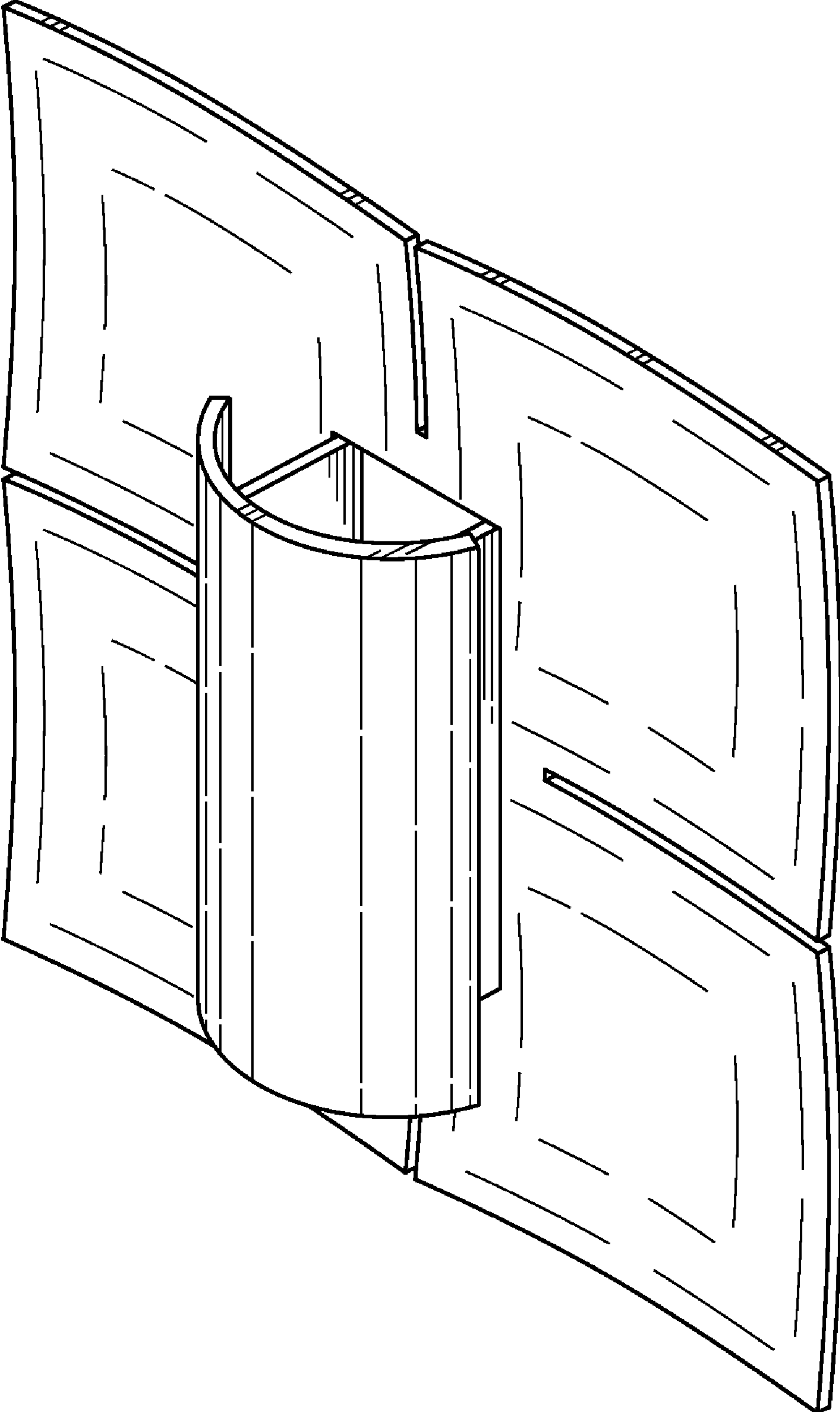


FIG. 1

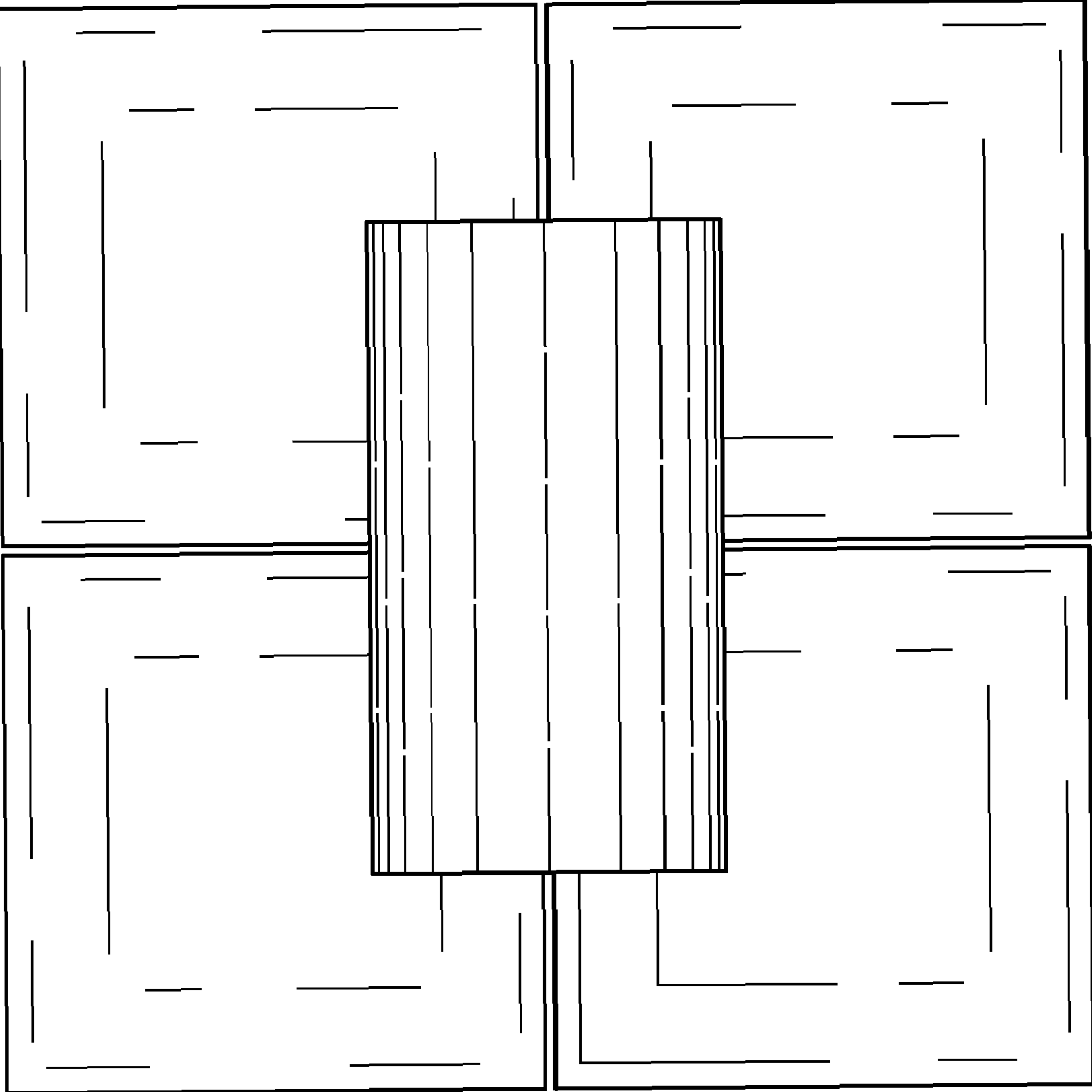


FIG. 2

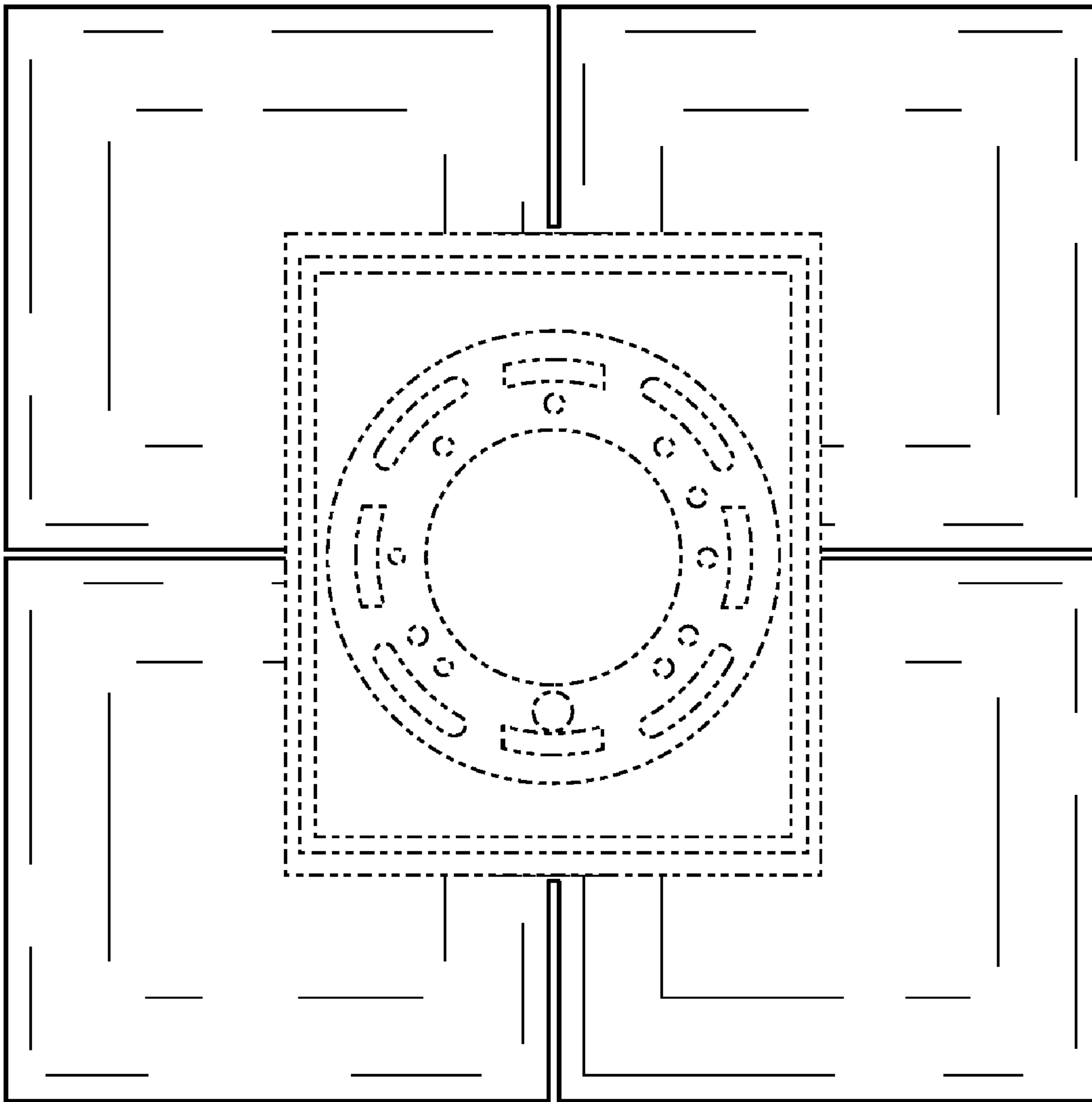


FIG. 3

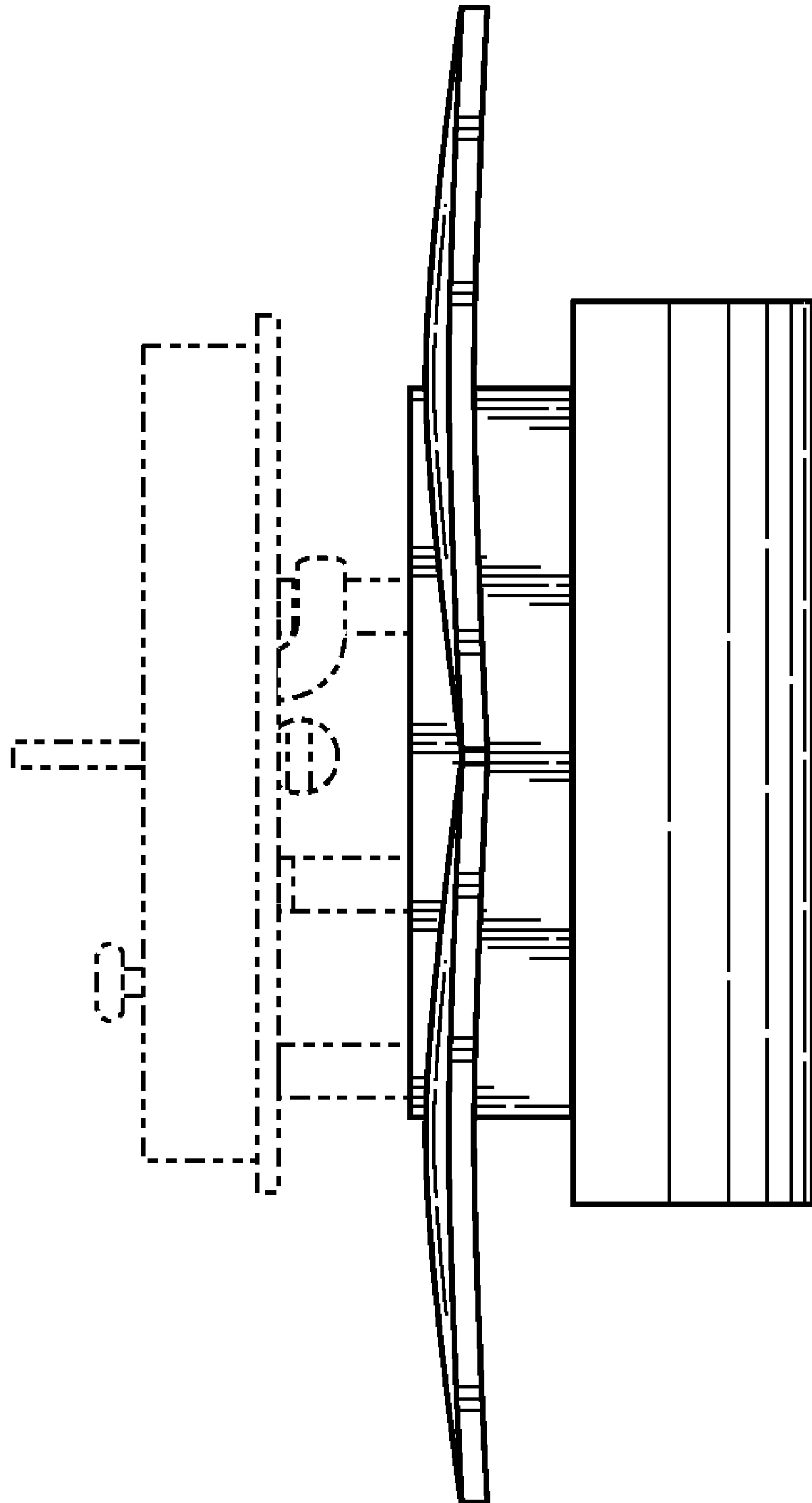


FIG. 4

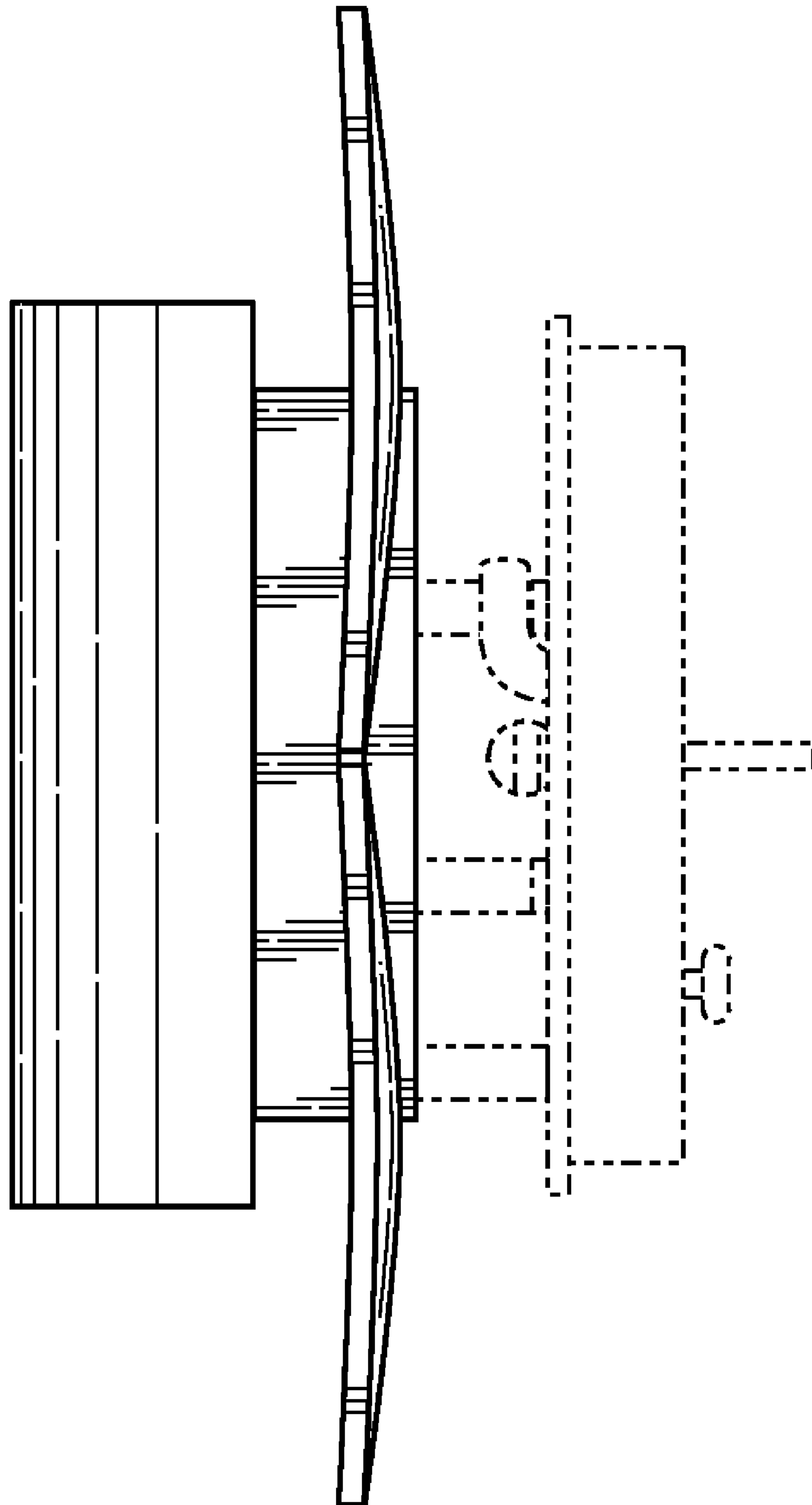


FIG. 5

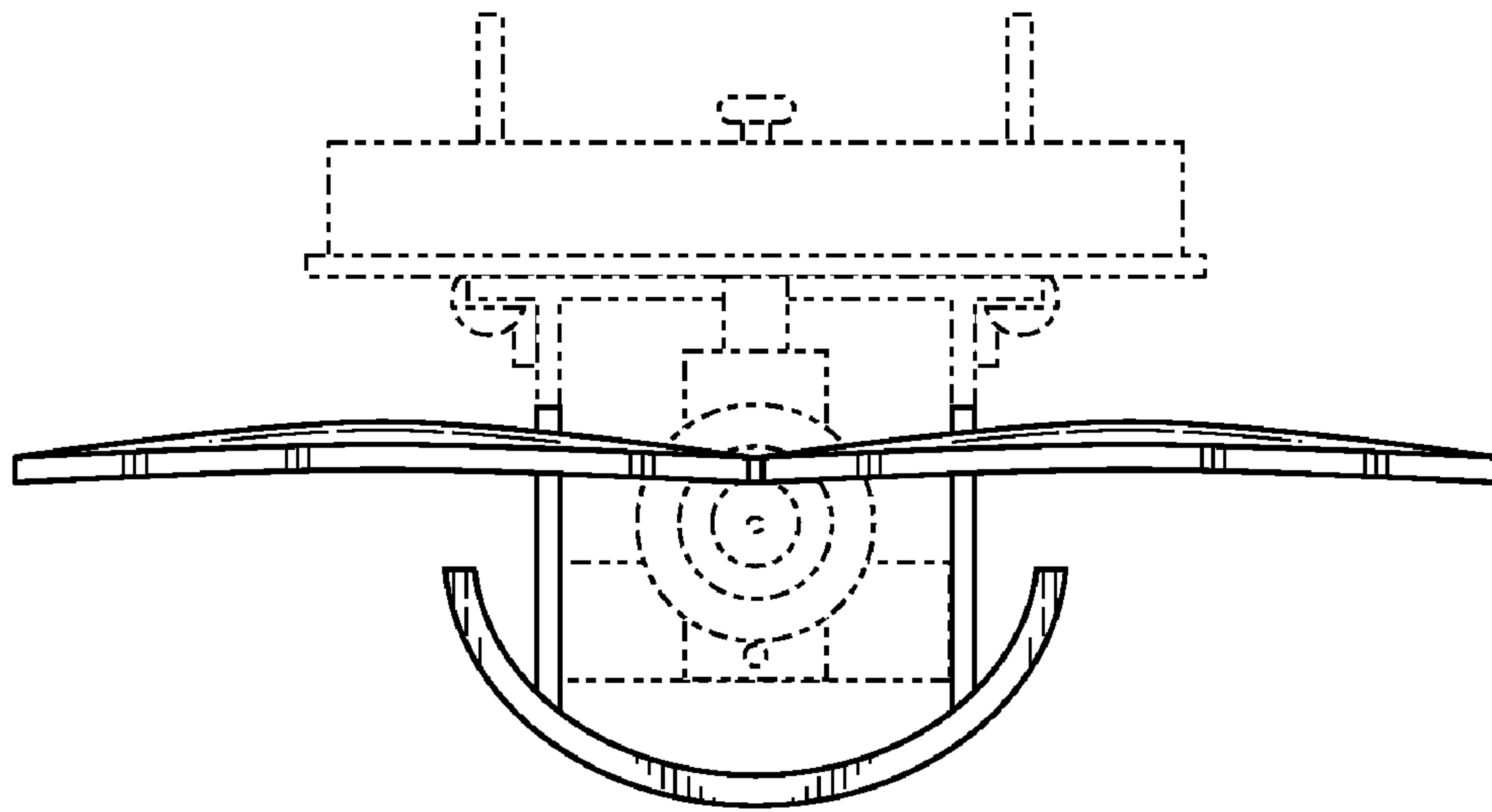


FIG. 6

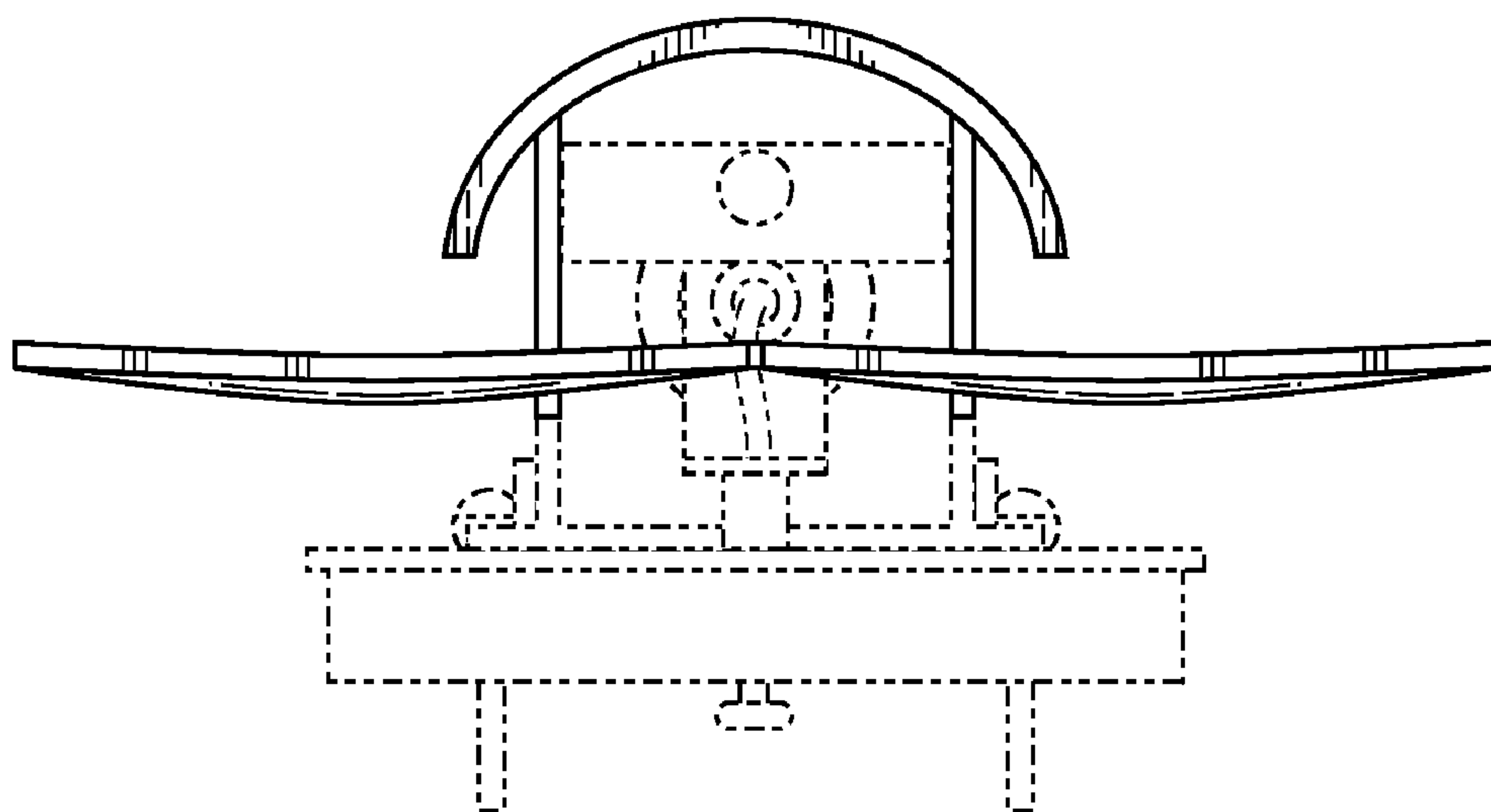


FIG. 7

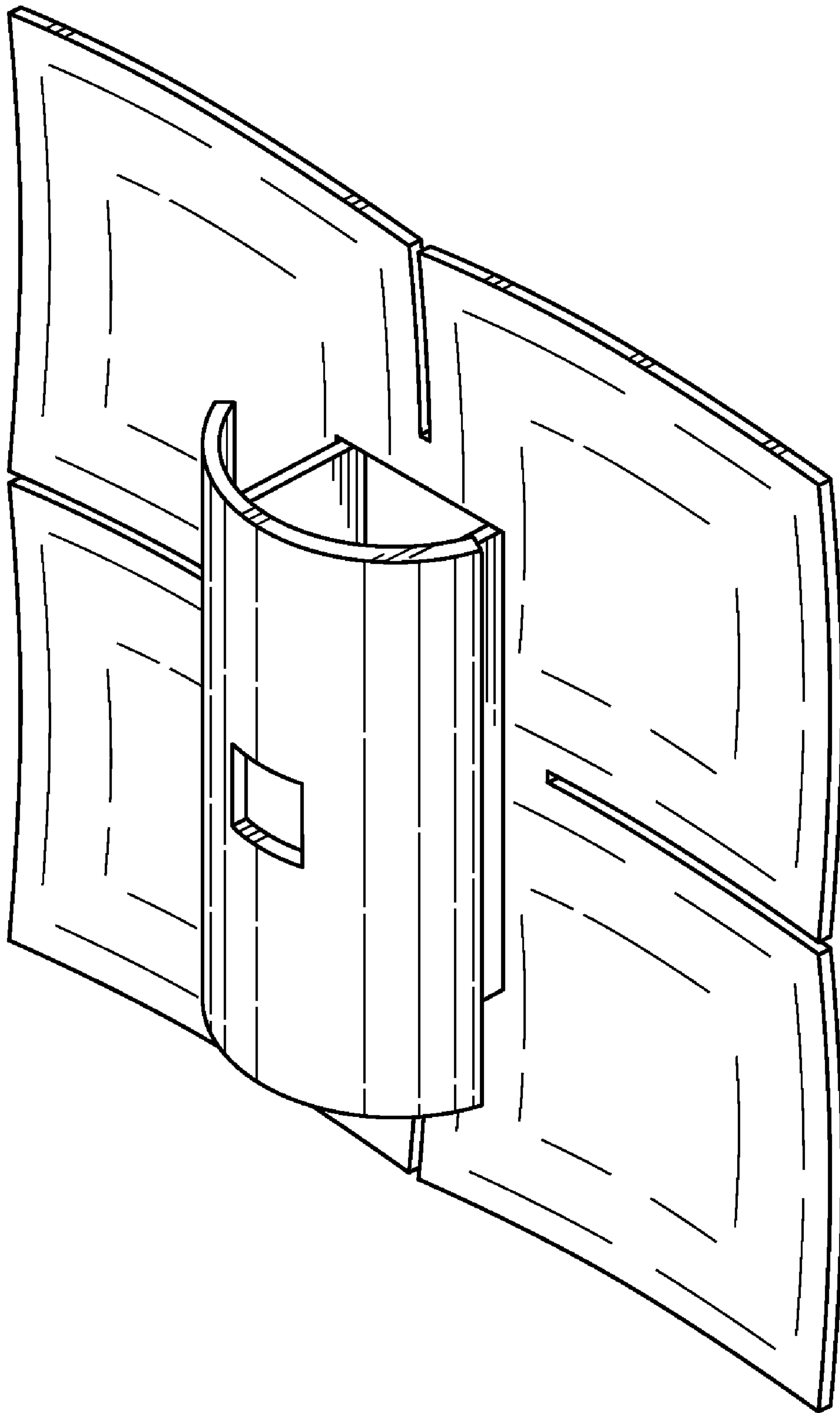


FIG. 8

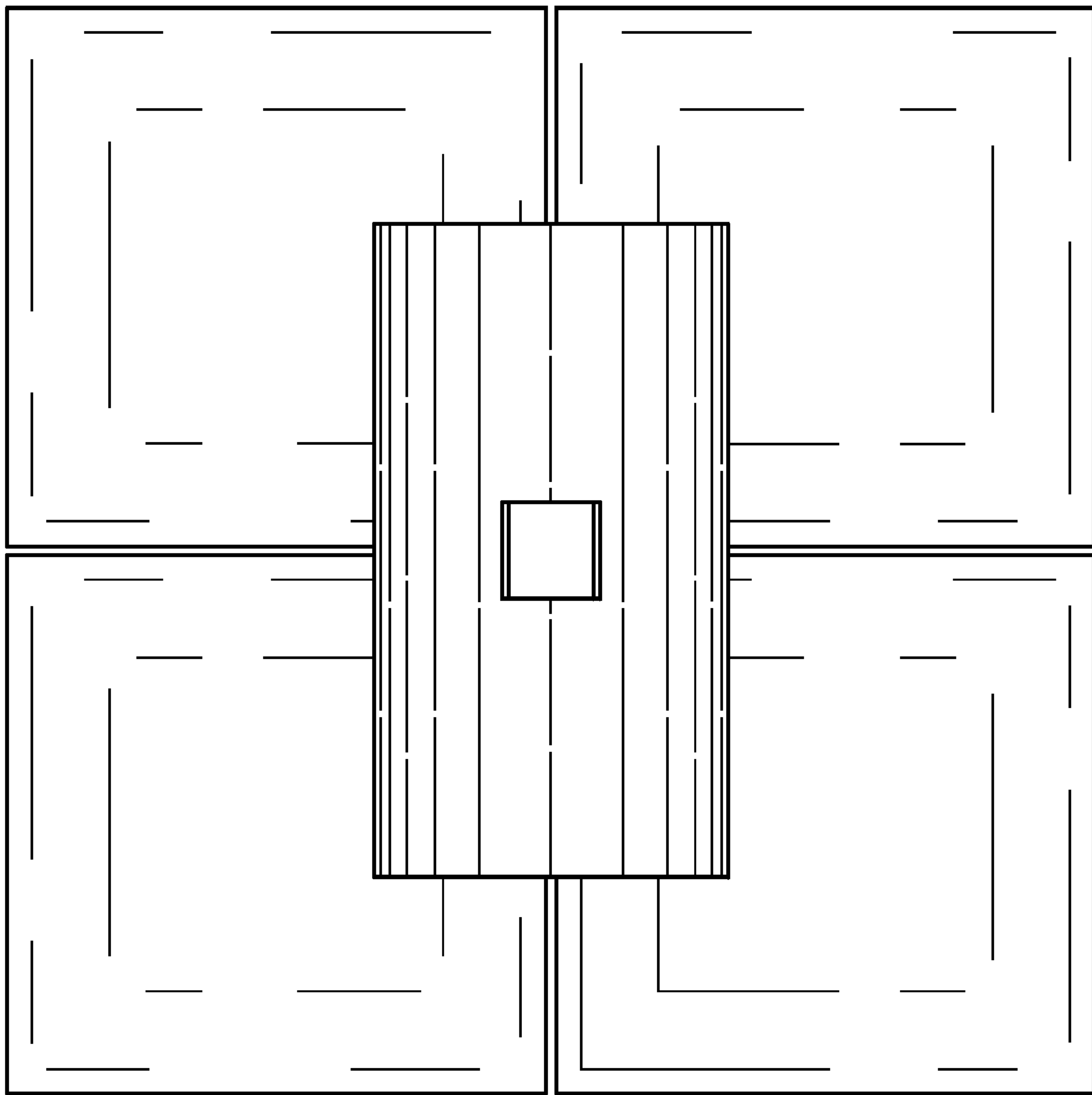


FIG. 9

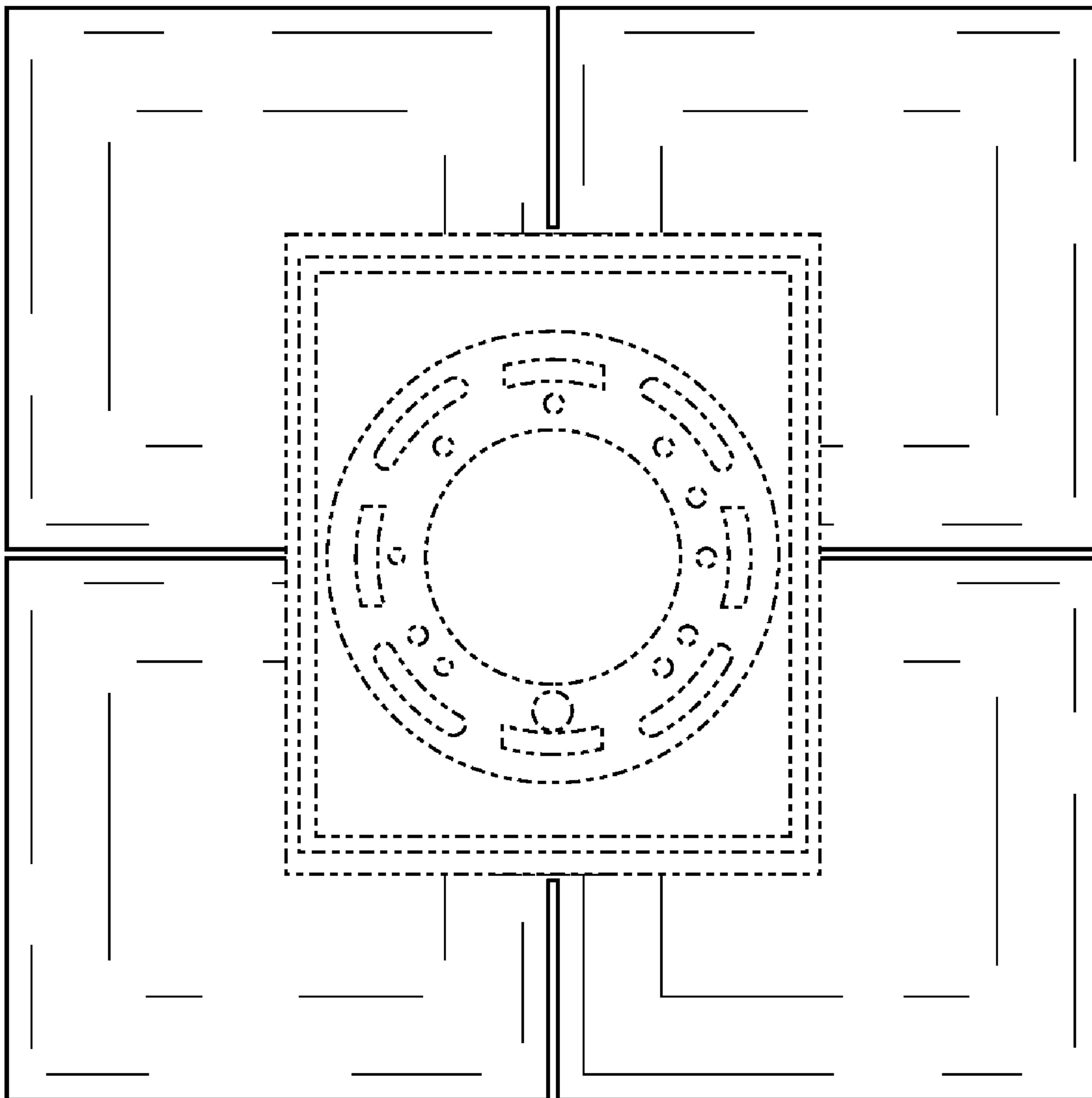


FIG. 10

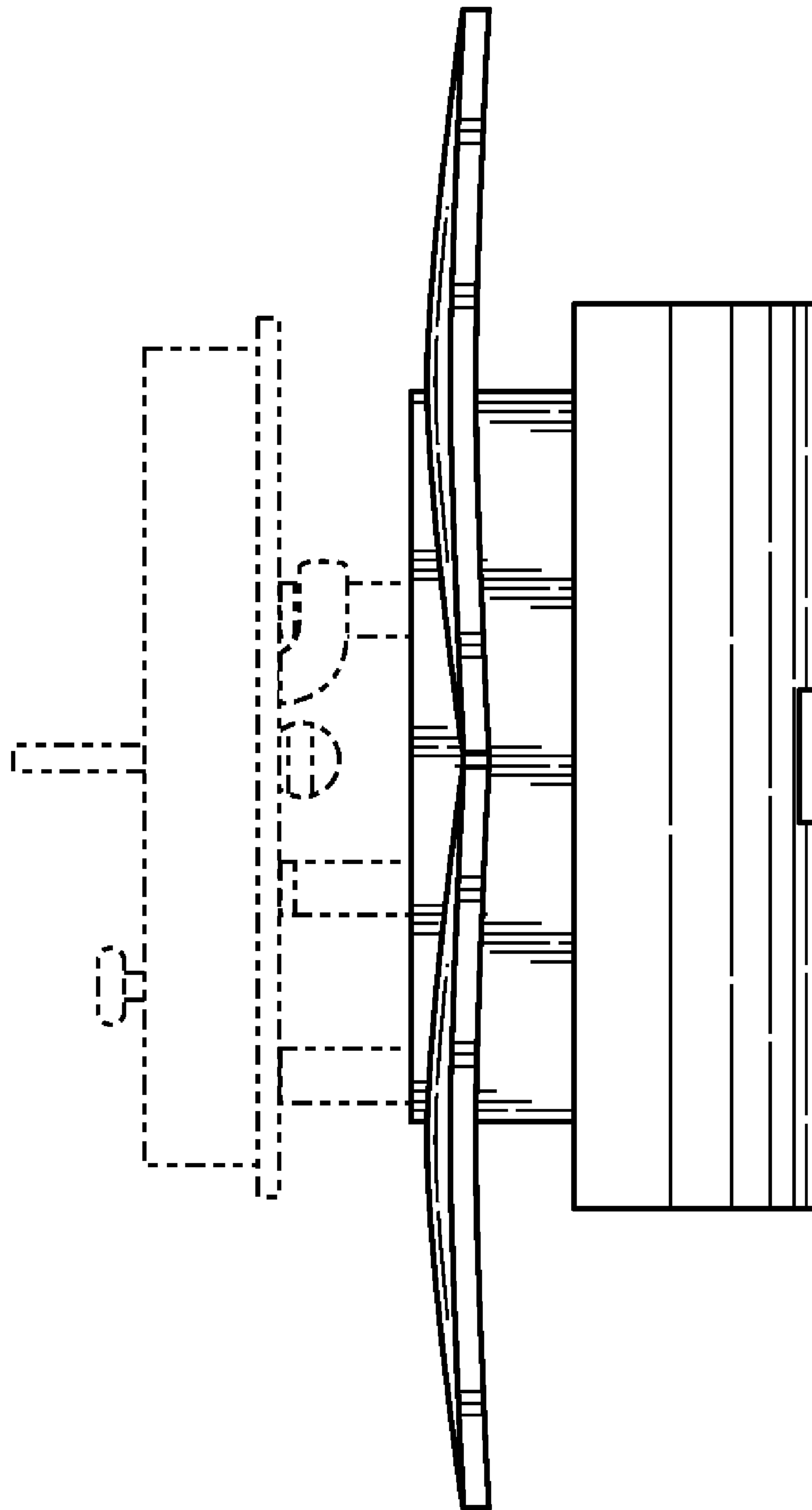


FIG. 11

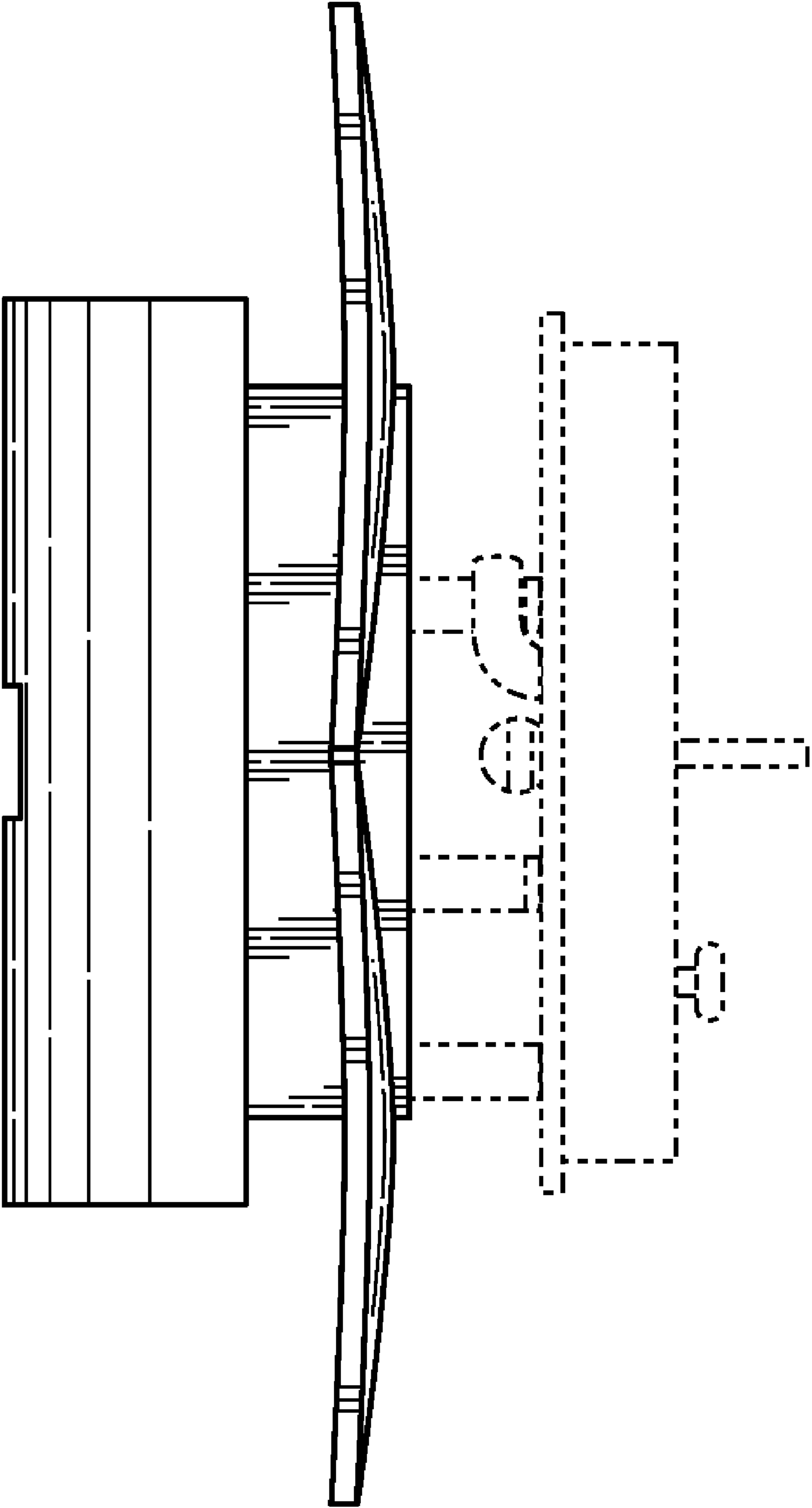


FIG. 12

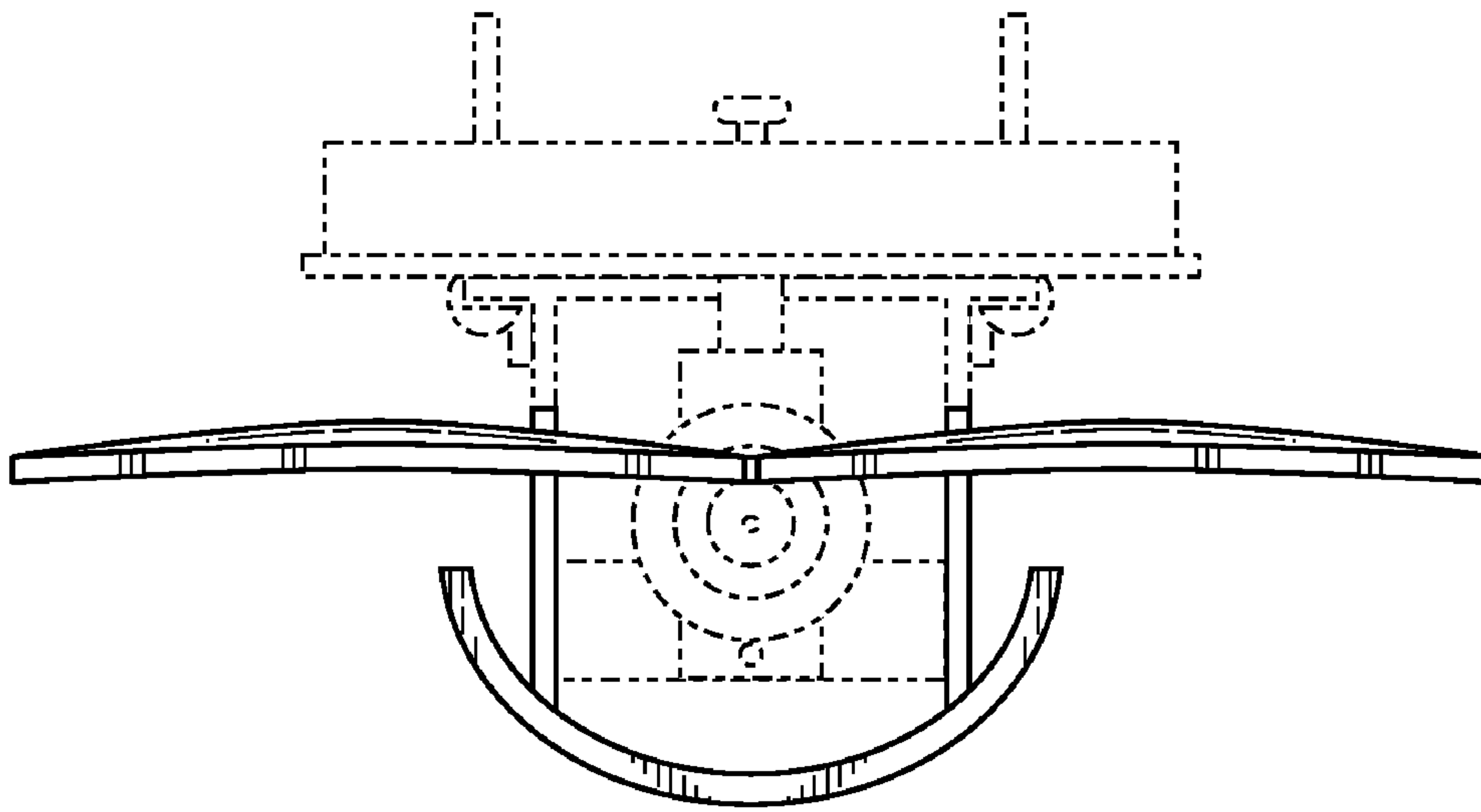


FIG. 13

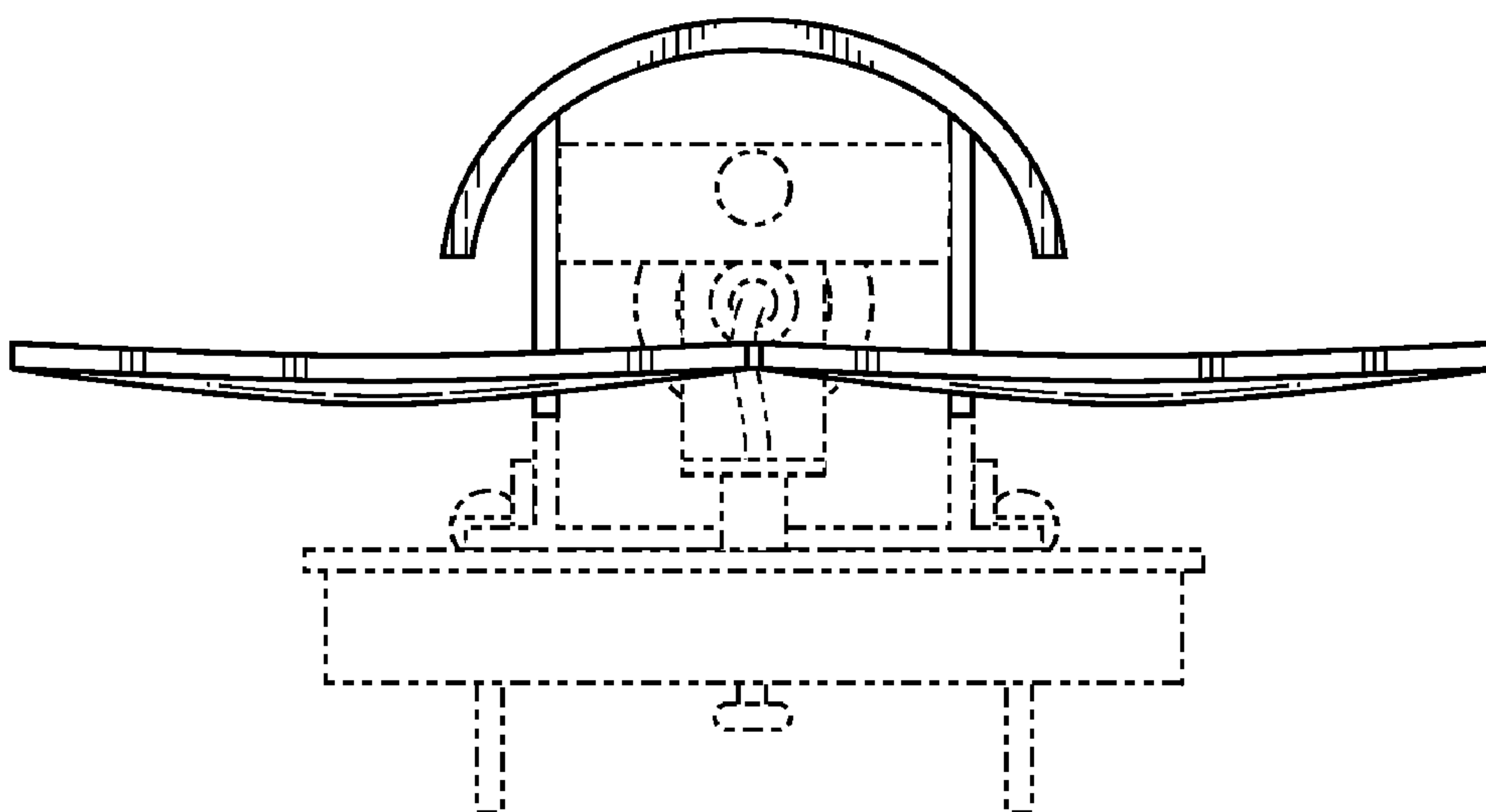


FIG. 14