



US00D564120S

(12) **United States Design Patent**
Layne et al.

(10) **Patent No.:** **US D564,120 S**
(45) **Date of Patent:** **** Mar. 11, 2008**

(54) **TRACK LAMPHOLDER**
(75) Inventors: **Bruce Layne**, Wheaton, IL (US);
Kerry Collins, Island Lake, IL (US)
(73) Assignee: **Juno Manufacturing, Inc.**, Des
Plaines, IL (US)

D454,219 S * 3/2002 Thompson D26/63
D465,867 S * 11/2002 Ward D26/63
D499,502 S * 12/2004 Kelley D26/67
D514,251 S 1/2006 Roos et al.
D520,177 S 5/2006 Roos et al.
D525,737 S 7/2006 Roos

* cited by examiner

(**) Term: **14 Years**

Primary Examiner—Cathron Brooks
Assistant Examiner—Barbara Fox

(21) Appl. No.: **29/285,834**

(22) Filed: **Apr. 12, 2007**

(51) **LOC (8) Cl.** **26-05**

(52) **U.S. Cl.** **D26/63**

(58) **Field of Classification Search** D26/60–72,
D26/118, 24, 87, 92, 84, 51; 362/16, 86,
362/267, 271, 272, 275, 276, 287, 288, 427,
362/428, 429, 341, 345, 347, 349, 359, 361,
362/362, 374, 383, 384, 396, 387, 403
See application file for complete search history.

(57) **CLAIM**

The ornamental design for track lampholder, as shown and described.

DESCRIPTION

FIG. 1 is a front perspective view of the track lampholder showing our new design;
FIG. 2 is a front elevational view;
FIG. 3 is a rear elevational view;
FIG. 4 is an end elevational view from one end;
FIG. 5 is an end elevational view from the other end;
FIG. 6 is a top plan view; and,
FIG. 7 is a bottom plan view.

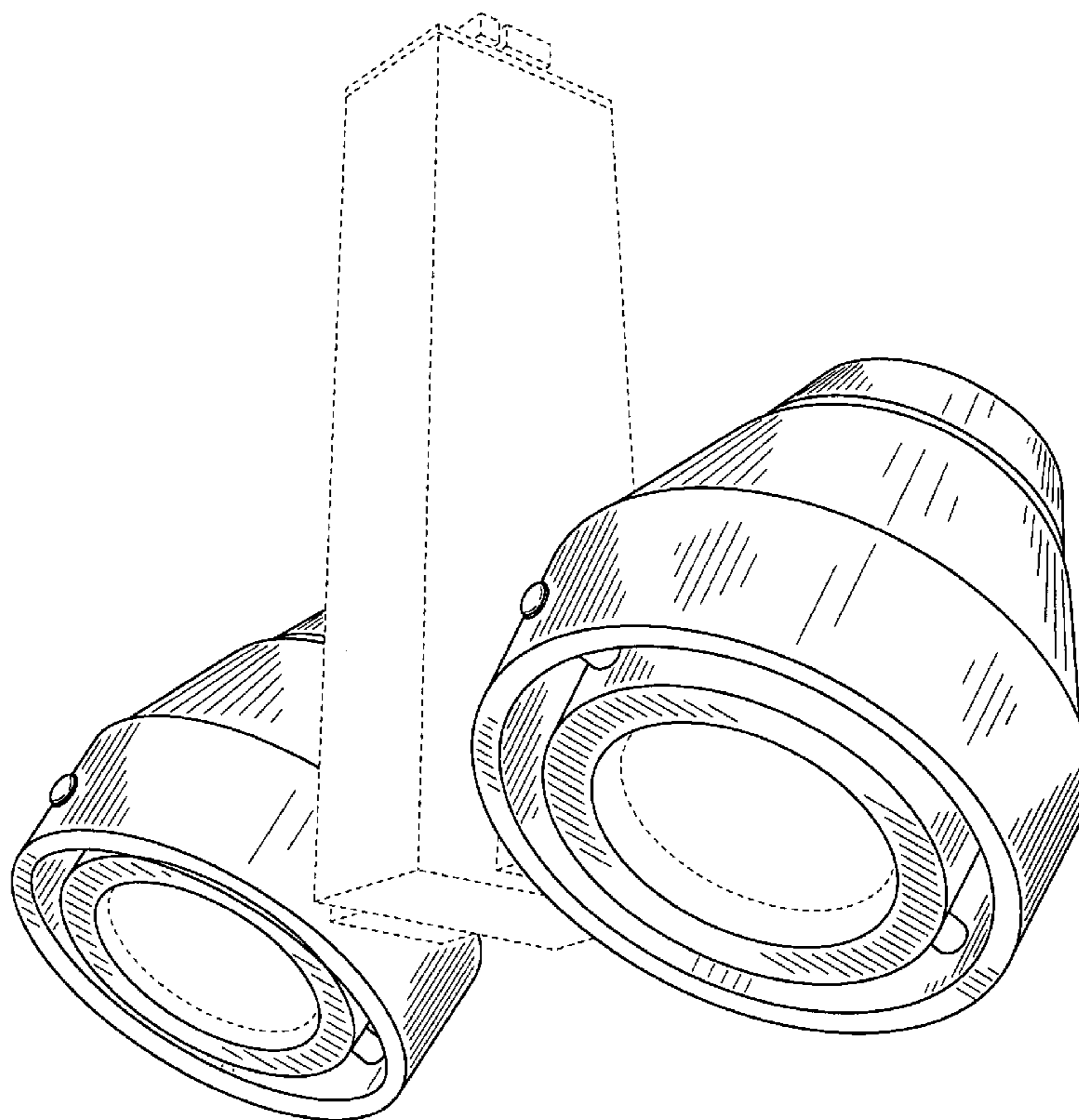
In the drawings, the broken line showing of a track lampholder depicts environmental subject matter and forms no part of the claim.

(56) **References Cited**

U.S. PATENT DOCUMENTS

D194,478 S * 1/1963 Pettengill D26/84
D209,317 S * 11/1967 Hirose D26/65
D224,140 S * 7/1972 Purer D26/64
D361,148 S * 8/1995 Wedell D26/63
D374,496 S * 10/1996 Small et al. D26/63
5,649,761 A * 7/1997 Sandell et al. 362/276
D406,671 S * 3/1999 Tsuji D26/84

1 Claim, 5 Drawing Sheets



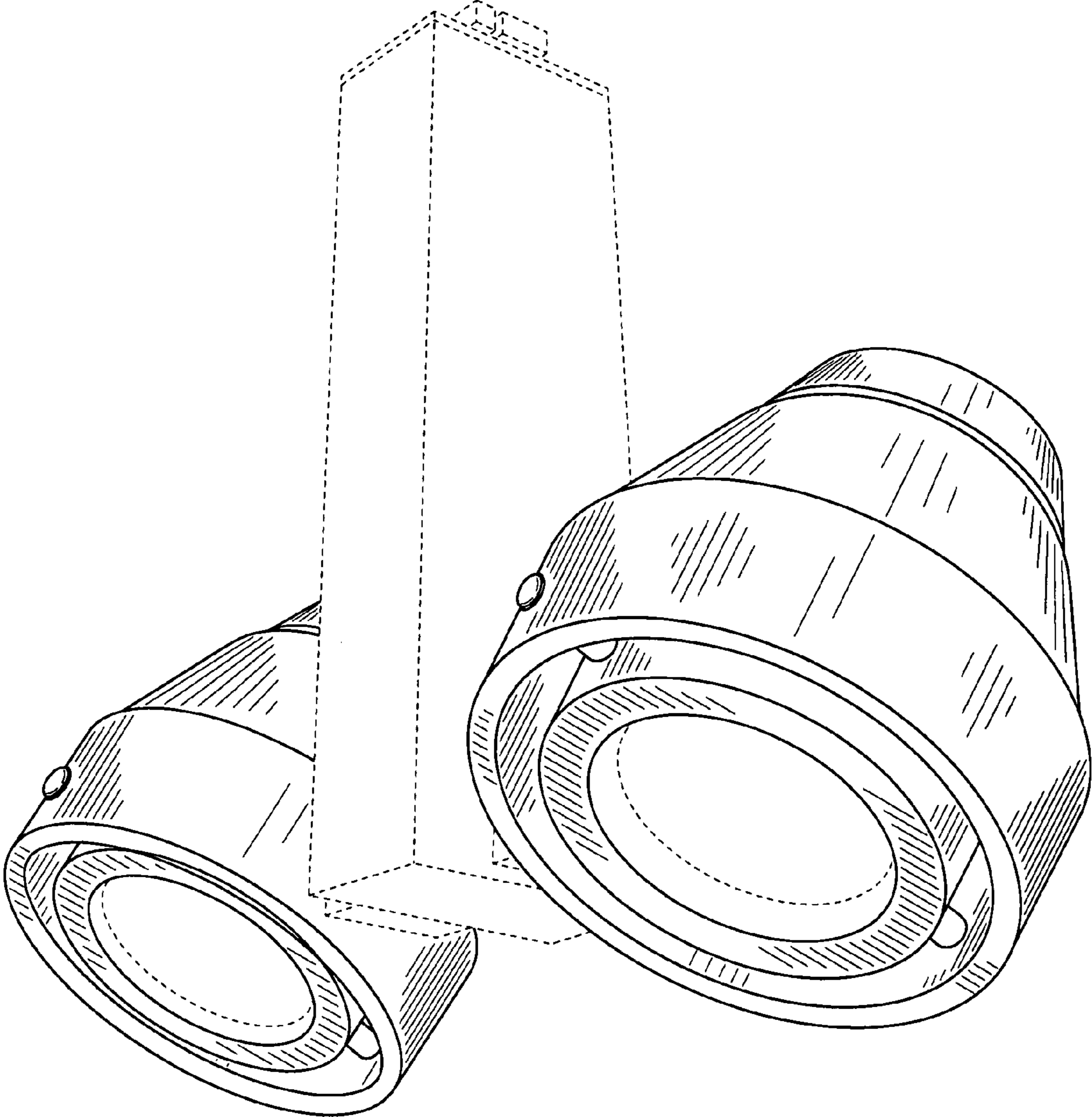


FIG. 1

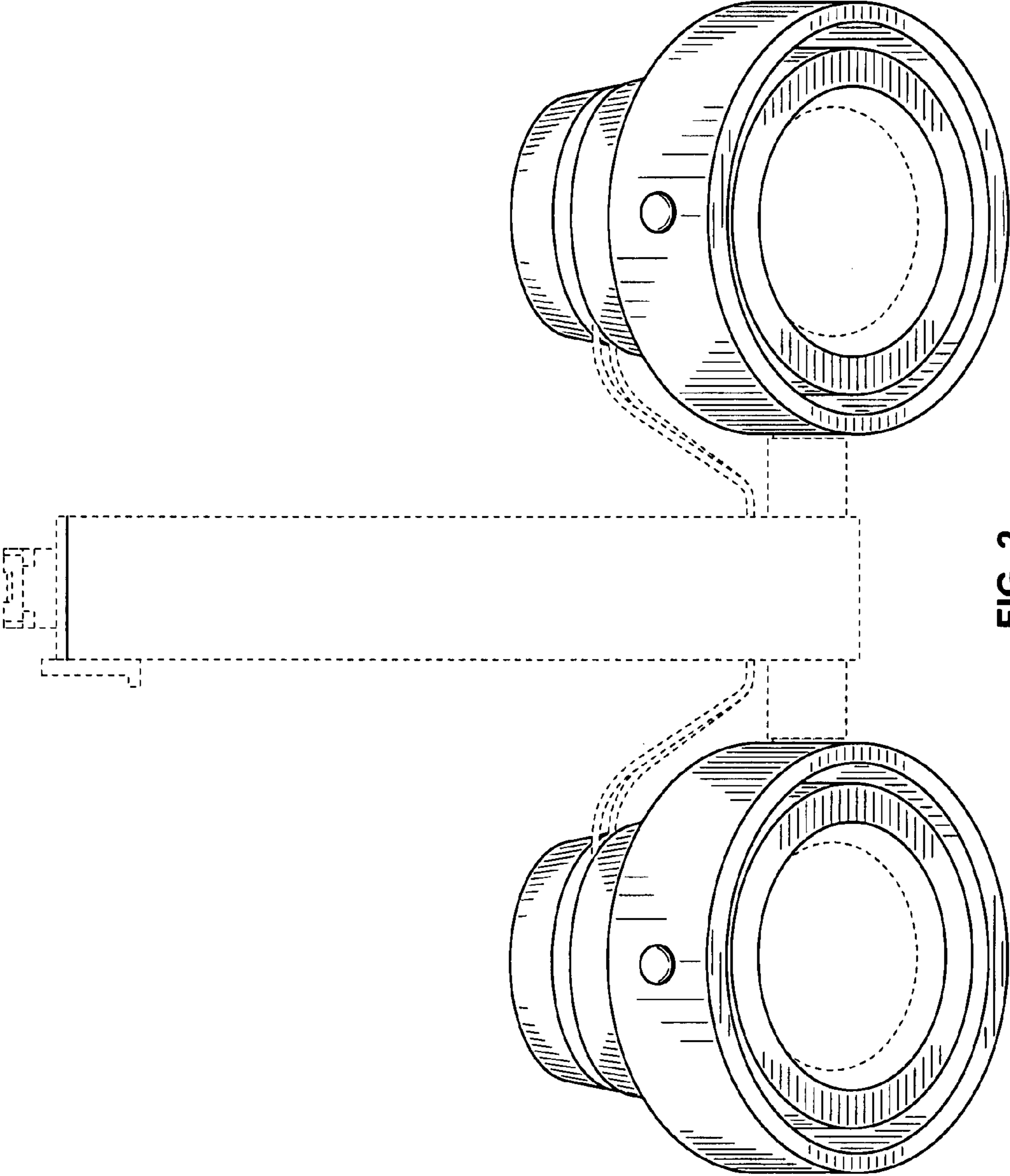


FIG. 2

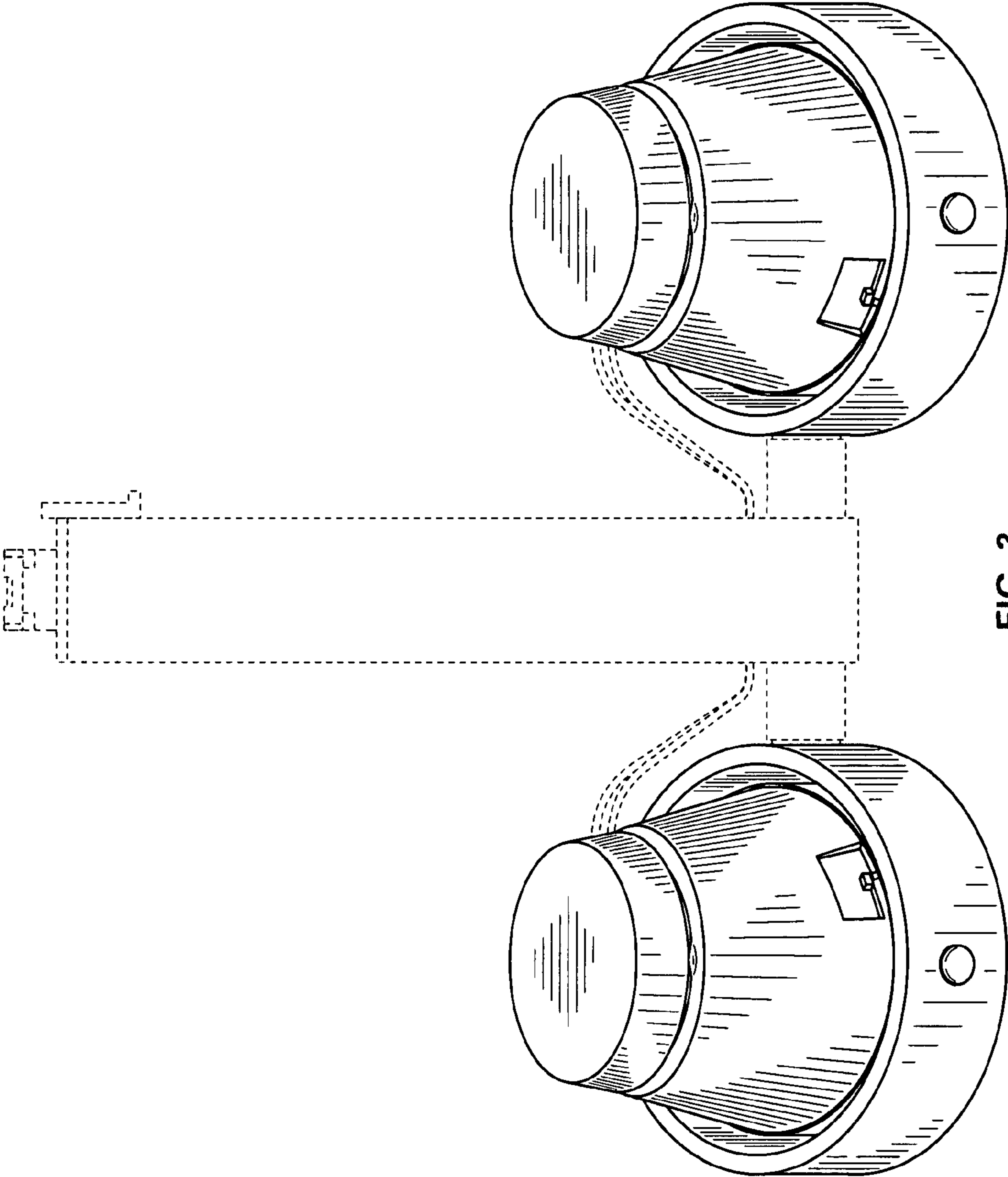


FIG. 3

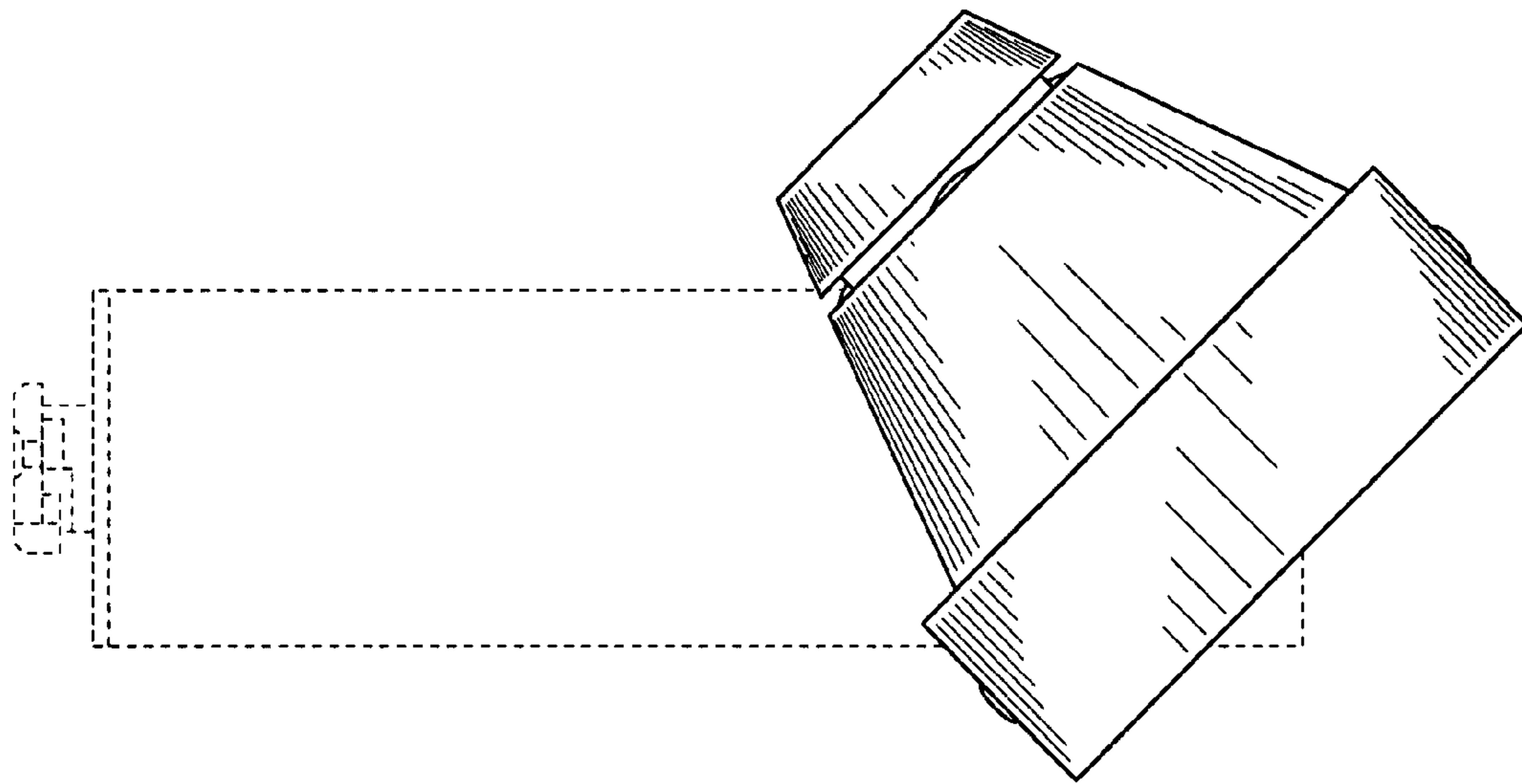


FIG. 5

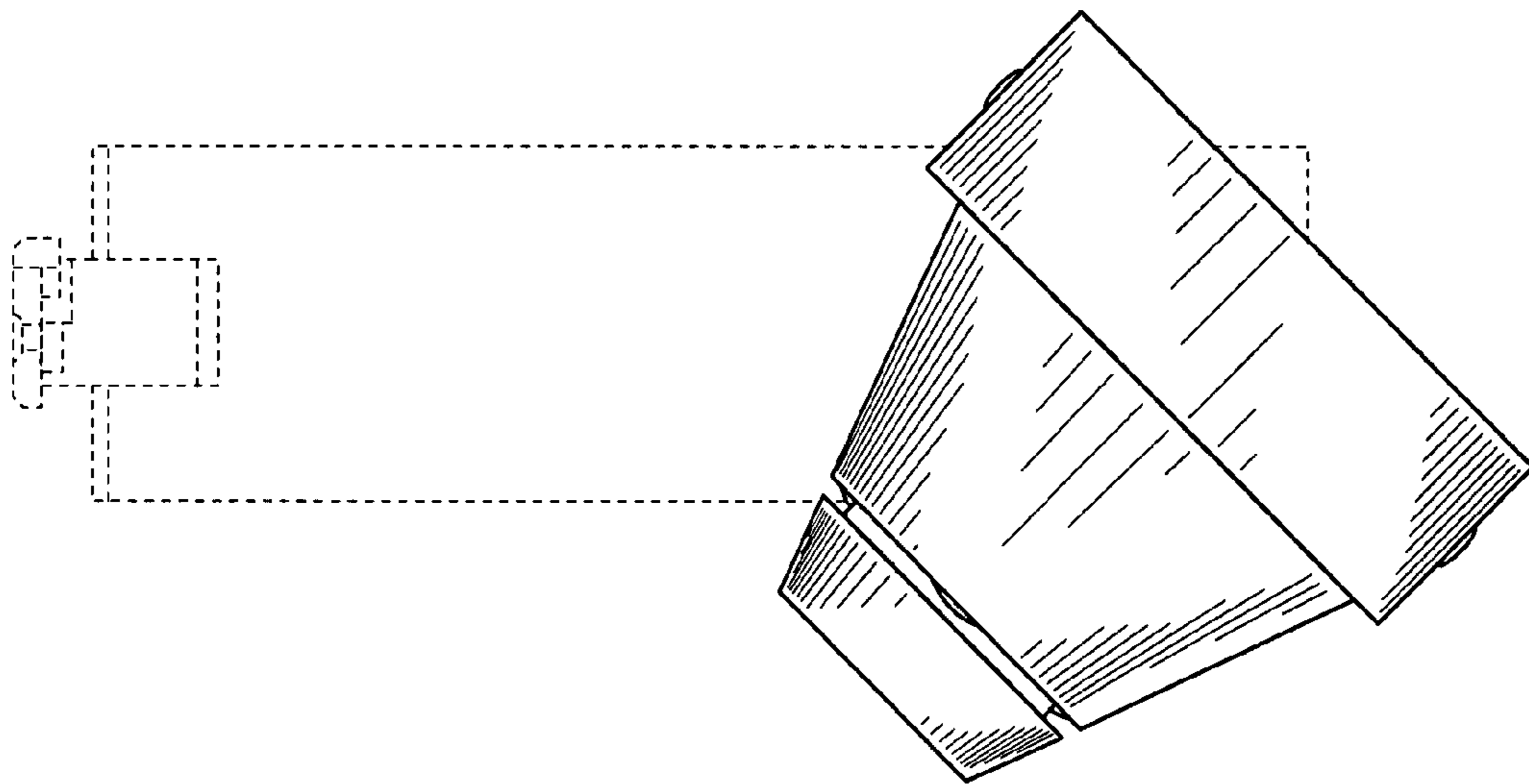


FIG. 4

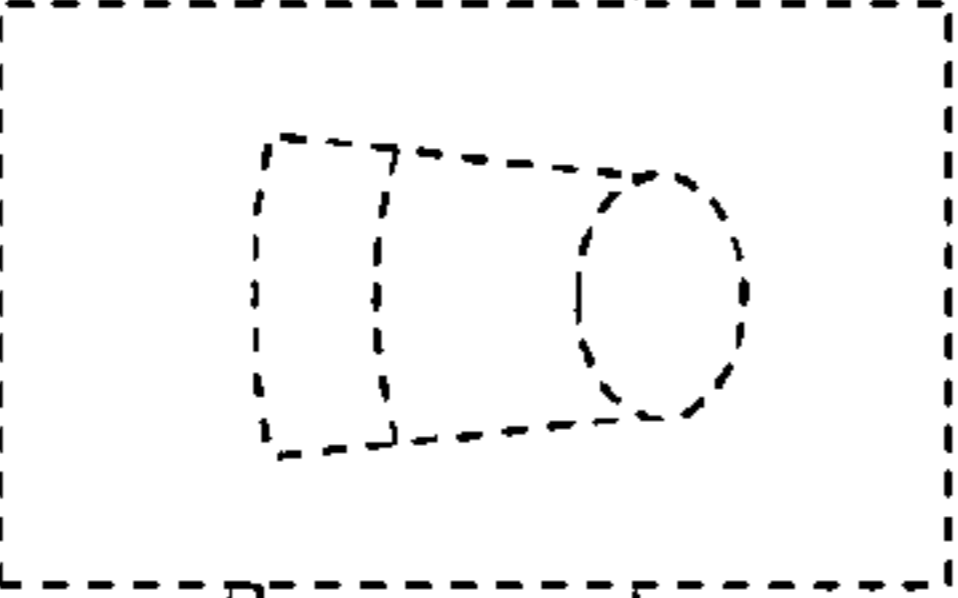
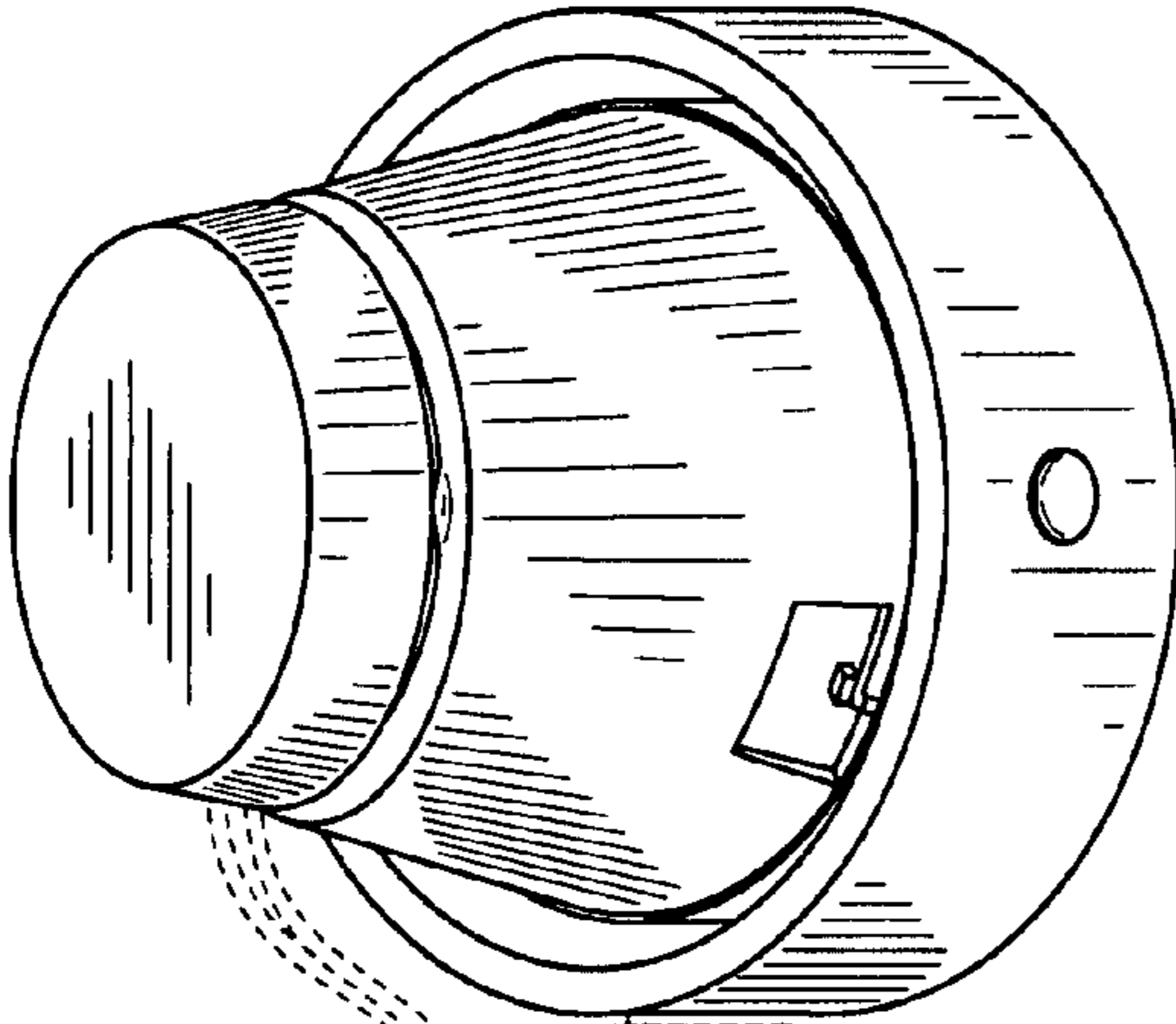


FIG. 6

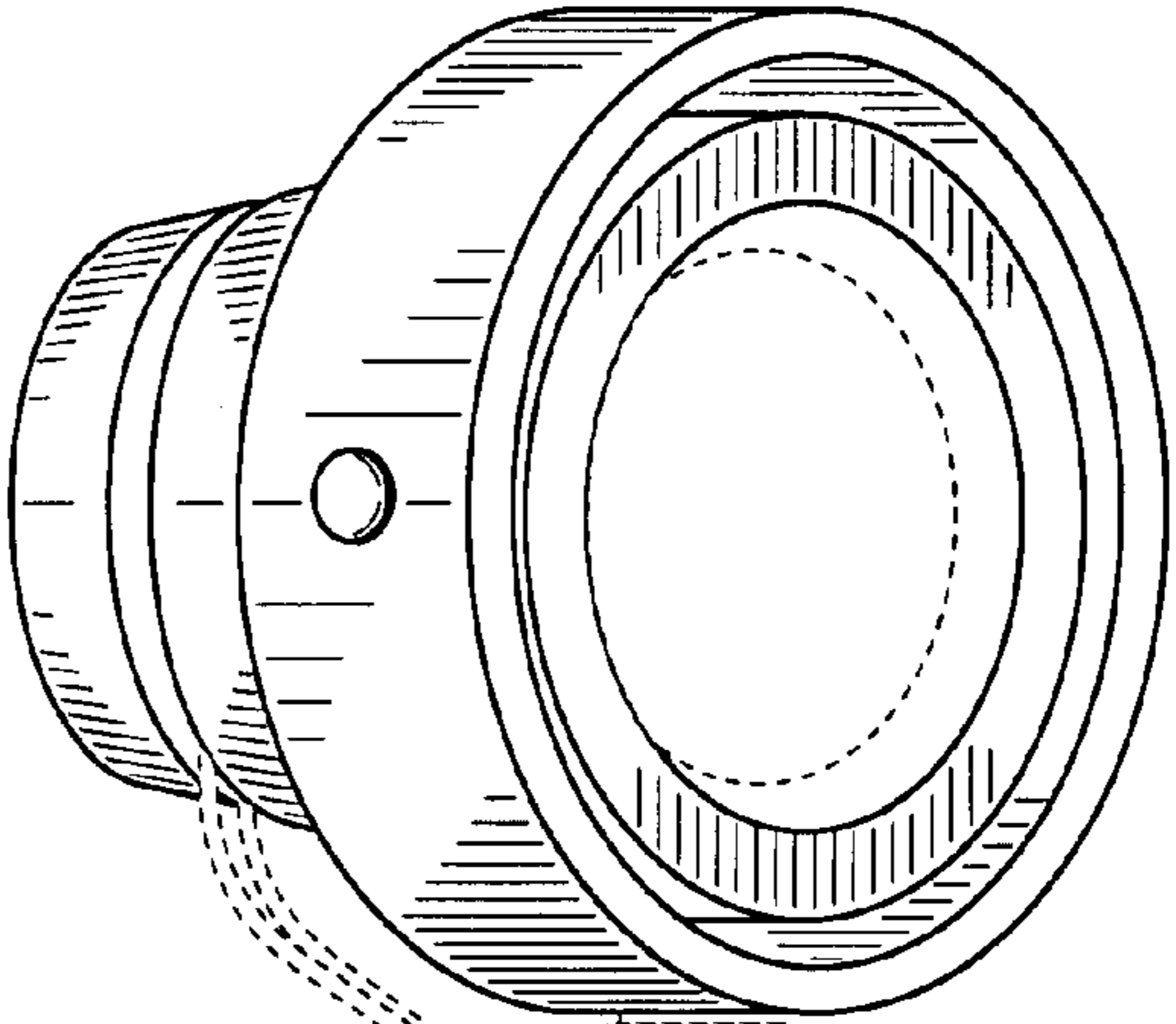


FIG. 7

