

US00D564119S

(12) **United States Design Patent**  
**Metlen**

(10) **Patent No.:** **US D564,119 S**  
(45) **Date of Patent:** **\*\* Mar. 11, 2008**

(54) **TRACK LIGHT**

(75) **Inventor:** **Todd Metlen**, Ojai, CA (US)

(73) **Assignee:** **Journee Lighting, Inc.**, Westlake Village, CA (US)

(\*\*) **Term:** **14 Years**

(21) **Appl. No.:** **29/260,746**

(22) **Filed:** **May 30, 2006**

(51) **LOC (8) Cl.** ..... **26-05**

(52) **U.S. Cl.** ..... **D26/63**

(58) **Field of Classification Search** ..... D26/61-66,  
D26/72; 362/101, 147, 267, 269, 270, 277,  
362/275, 278, 282, 285, 287, 288, 290, 404,  
362/410, 413, 418, 419, 427, 428, 429, 430,  
362/640, 647, 648, 652, 653, 655

See application file for complete search history.

(56) **References Cited**

**U.S. PATENT DOCUMENTS**

- 2,430,472 A \* 11/1947 Levy ..... 362/354
- D322,862 S \* 12/1991 Miller ..... D26/63
- D443,710 S \* 6/2001 Chiu ..... D26/63
- D448,508 S \* 9/2001 Benghozi ..... D26/63

- D462,801 S \* 9/2002 Huang ..... D26/63
- D470,962 S \* 2/2003 Chen ..... D26/63
- 6,905,232 B2 \* 6/2005 Lin ..... 362/374
- D524,975 S \* 7/2006 Oas ..... D26/60

\* cited by examiner

*Primary Examiner*—Cathron Brooks

*Assistant Examiner*—Barbara Fox

(74) *Attorney, Agent, or Firm*—Philip T. Virga

(57) **CLAIM**

The ornamental design for a track light, as shown and described.

**DESCRIPTION**

FIG. 1 is a perspective view of a track light showing my new design;

FIG. 2 is a right side view thereof;

FIG. 3 is a left side view thereof;

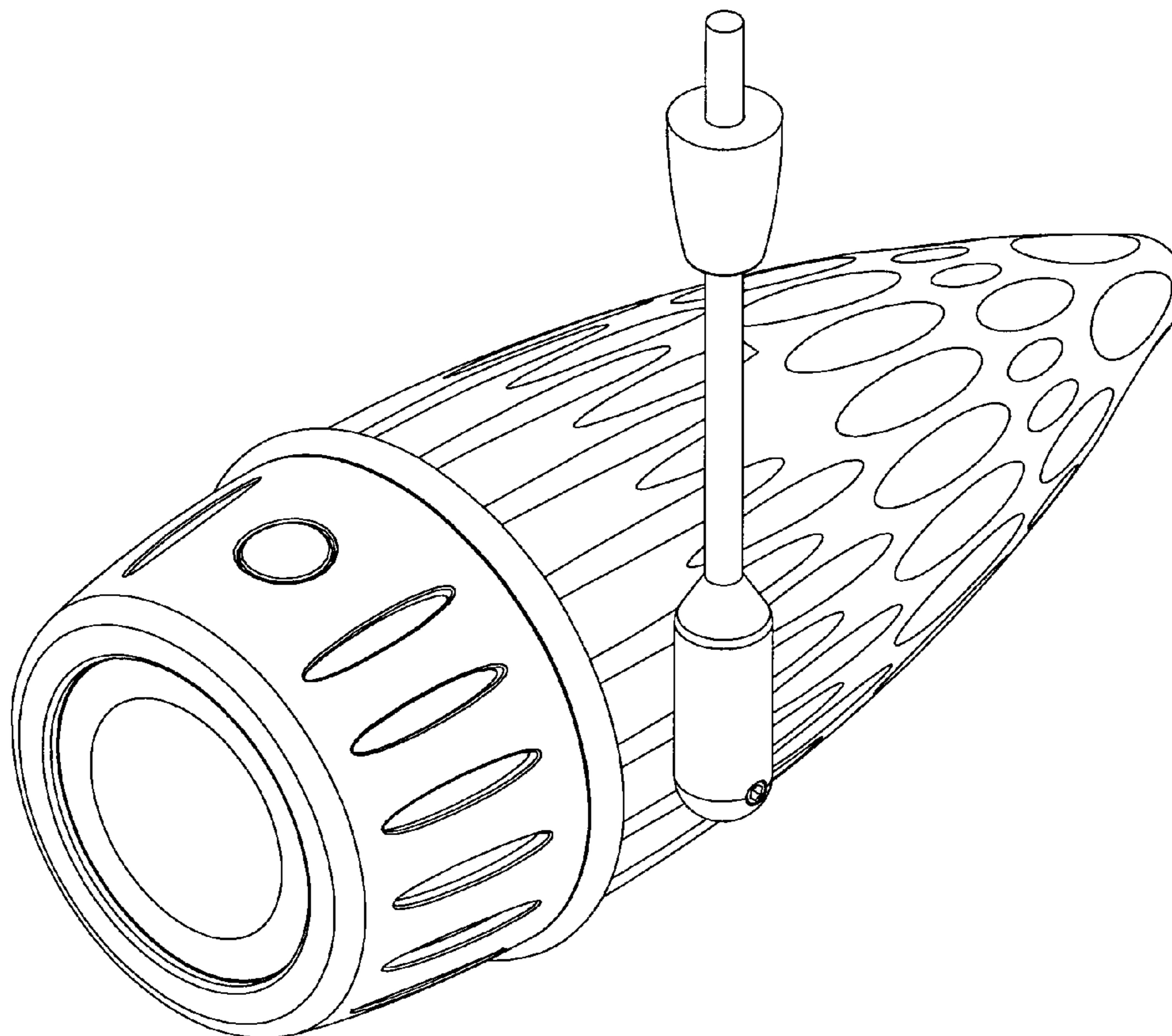
FIG. 4 is a front and view thereof;

FIG. 5 is a back end view thereof;

FIG. 6 is a top view thereof; and,

FIG. 7 is a bottom side view thereof.

**1 Claim, 5 Drawing Sheets**



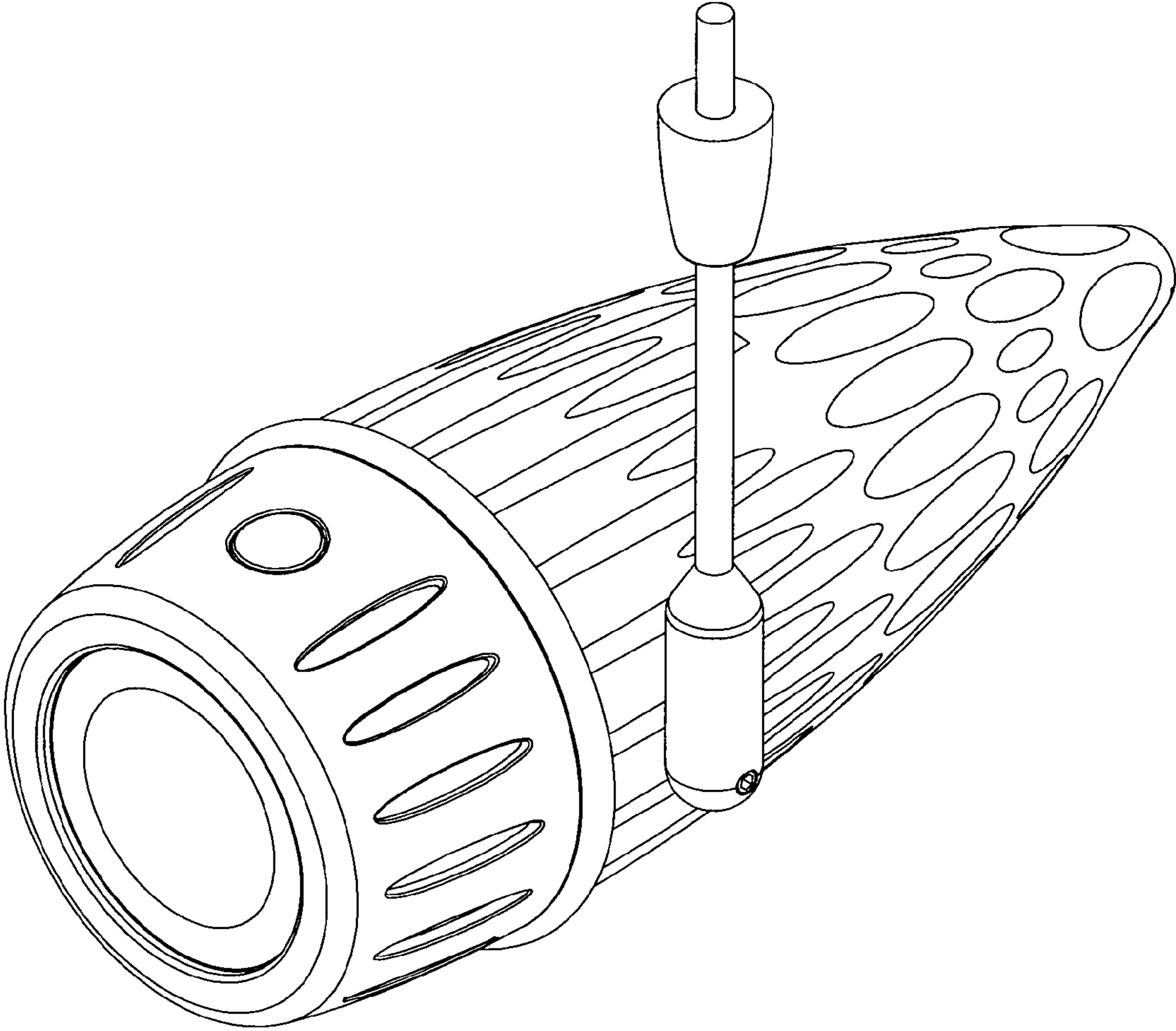


FIG.1

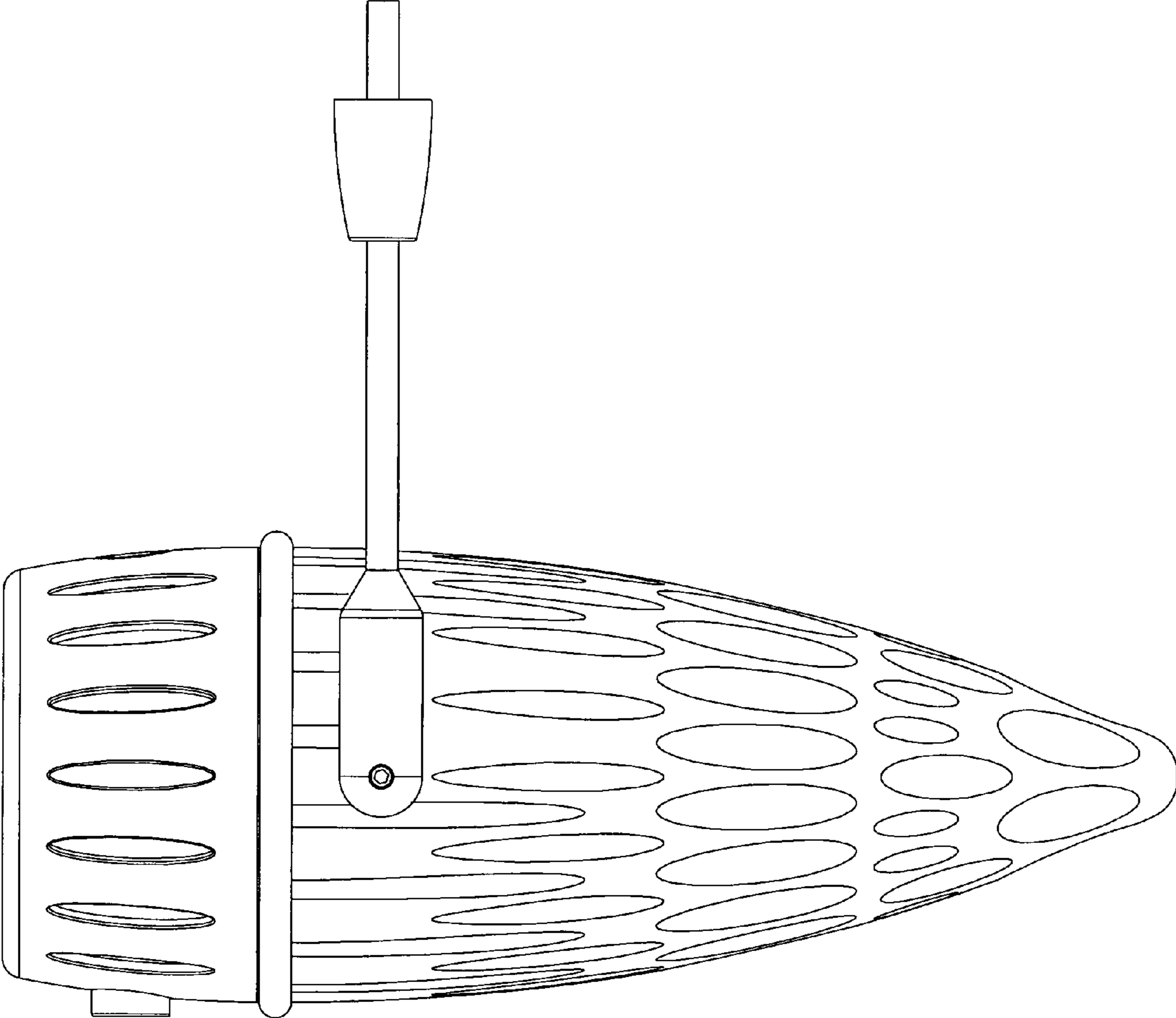


FIG.2

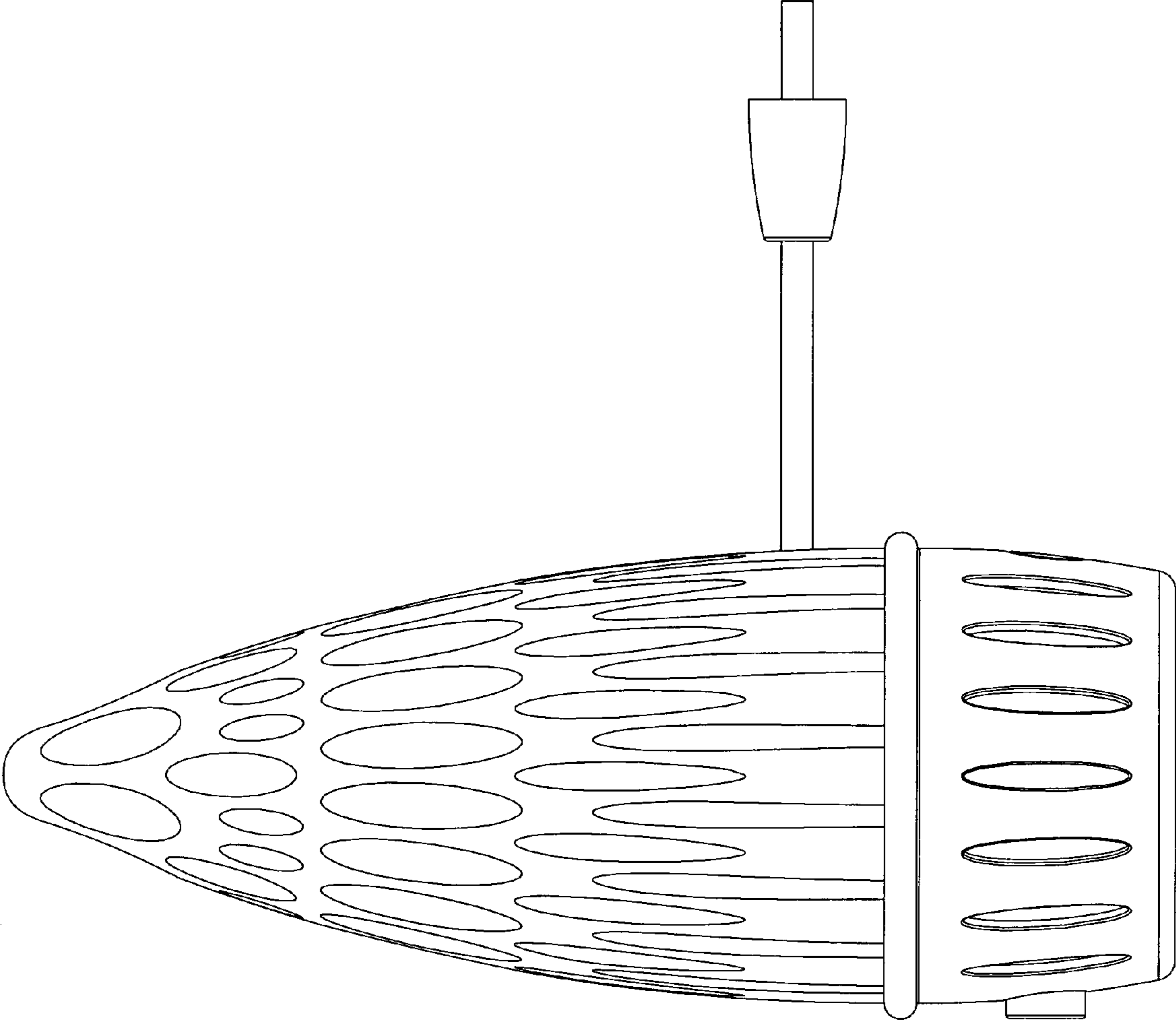


FIG.3

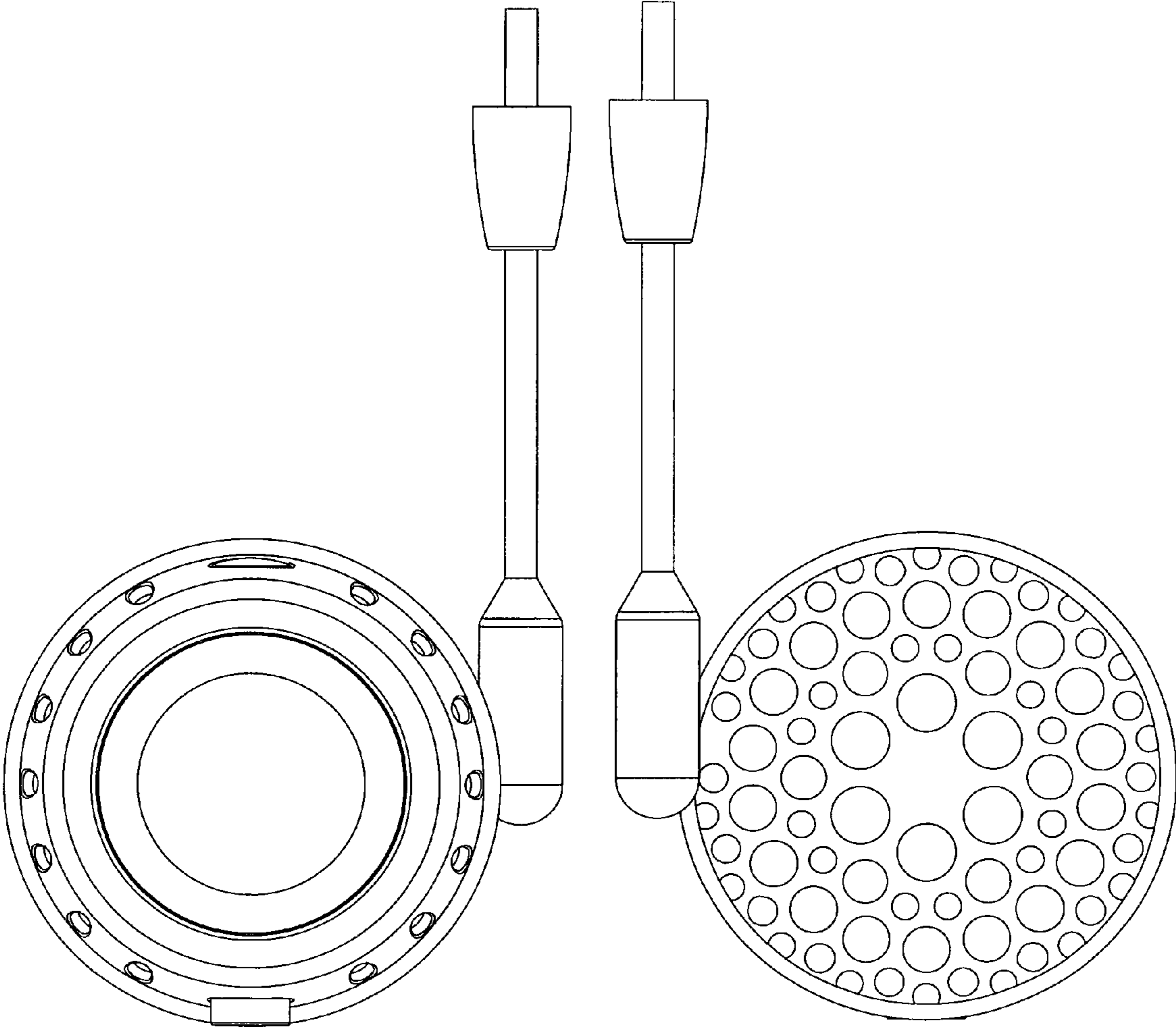


FIG.4

FIG.5



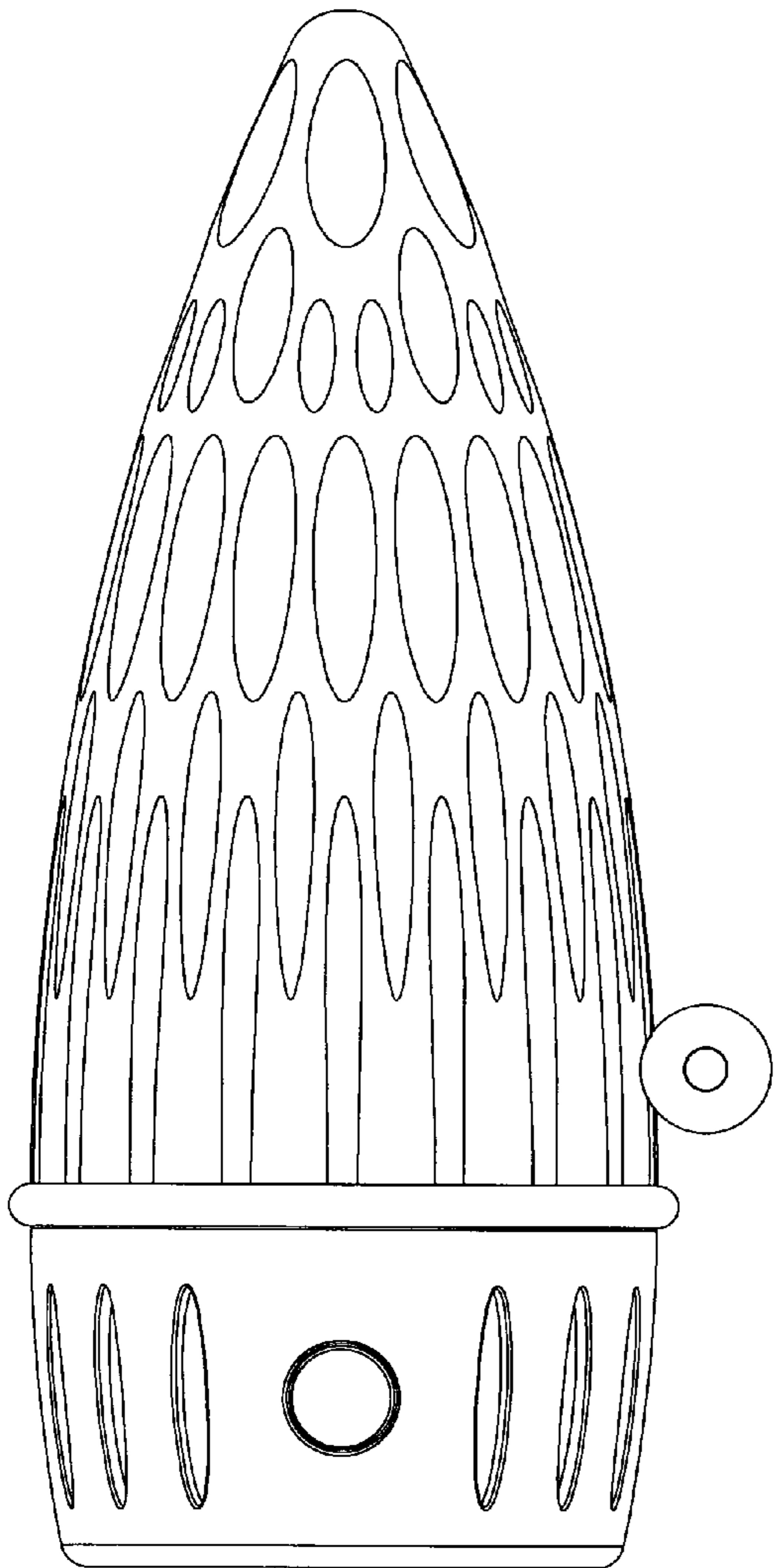


FIG. 6

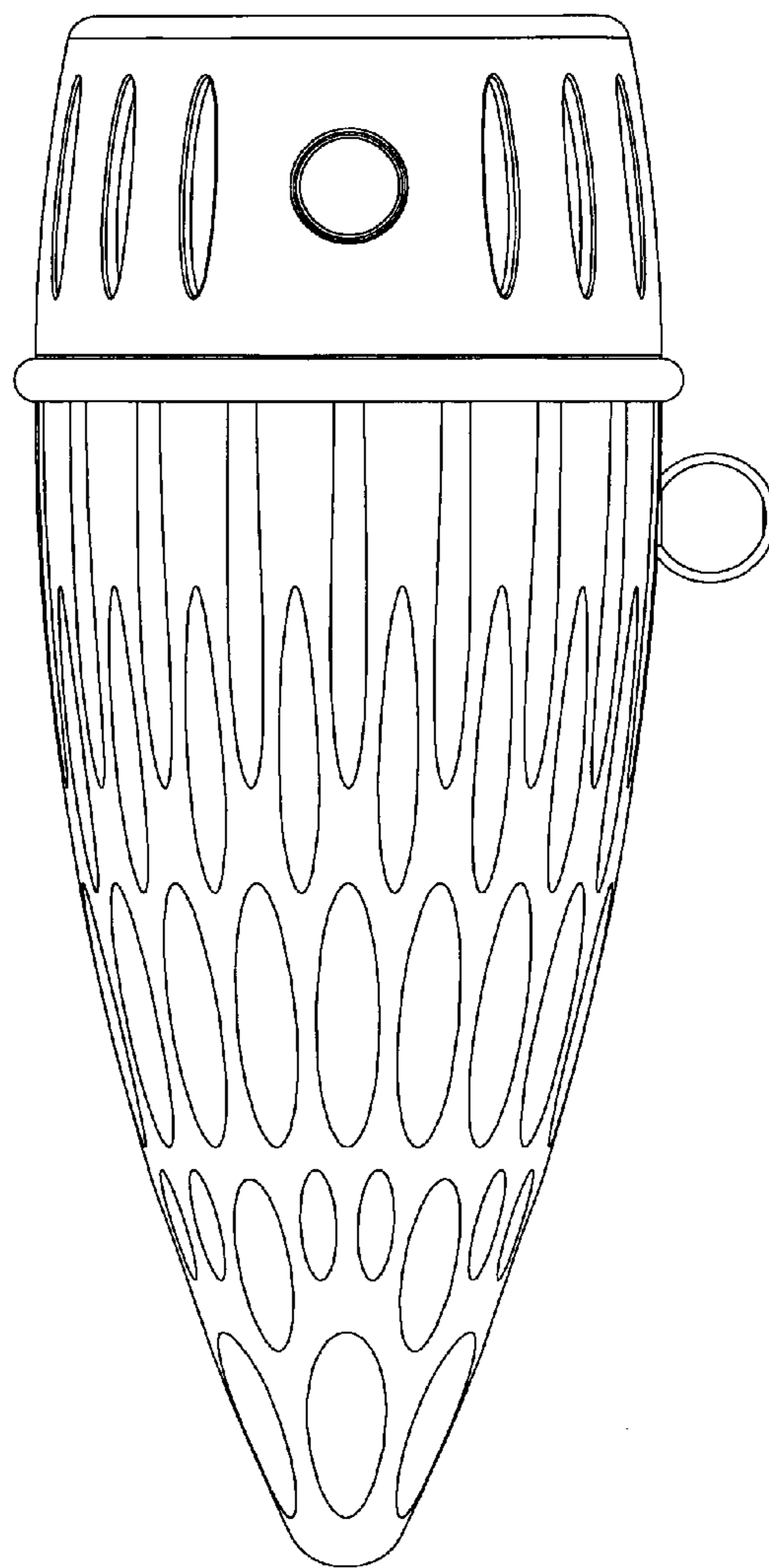


FIG. 7