



US00D564118S

(12) **United States Design Patent**  
**Wu**

(10) **Patent No.:** **US D564,118 S**

(45) **Date of Patent:** **\*\* Mar. 11, 2008**

(54) **TWIN STARS LIGHT**

(76) Inventor: **Kun-Mu Wu**, 5, Lane 186, Sec. 2,  
ChiehDong Rd., Changhua Hsien (TW)

(\*\*) Term: **14 Years**

(21) Appl. No.: **29/237,681**

(22) Filed: **Sep. 1, 2005**

(51) **LOC (8) Cl.** ..... **26-05**

(52) **U.S. Cl.** ..... **D26/63**

(58) **Field of Classification Search** ..... D26/51,  
D26/61-66, 93, 102, 142; 362/37, 39, 53,  
362/55, 257, 267, 270, 275, 277, 278, 280,  
362/281, 282, 283, 285, 287, 410-414, 418,  
362/419, 427, 401, 402

See application file for complete search history.

(56) **References Cited**

**U.S. PATENT DOCUMENTS**

D337,843 S *	7/1993	Huang	.....	D26/65
D345,027 S *	3/1994	Huang	.....	D26/65
D349,170 S *	7/1994	Lin	.....	D26/51
D353,905 S *	12/1994	Lin	.....	D26/65
D367,124 S *	2/1996	Sherman	.....	D26/63
D374,735 S *	10/1996	Huang	.....	D26/65
D382,362 S *	8/1997	Huang	.....	D26/65
D385,052 S *	10/1997	Huang	.....	D26/60
D408,568 S *	4/1999	Schaak	.....	D26/62

D428,179 S *	7/2000	Huang	.....	D26/65
D528,691 S *	9/2006	Waldmann	.....	D26/65
2006/0139936 A1 *	6/2006	Lin	.....	362/410

\* cited by examiner

*Primary Examiner*—Cathron Brooks

*Assistant Examiner*—Barbara Fox

(74) *Attorney, Agent, or Firm*—Alan Kamrath; Kamrath & Associates PA

(57) **CLAIM**

The ornamental design for a twin stars light, as shown and described.

**DESCRIPTION**

FIG. 1 is a perspective view of a twin stars light showing my design;

FIG. 2 is a front elevational view thereof;

FIG. 3 is a rear elevational view thereof;

FIG. 4 is a left side elevational view thereof;

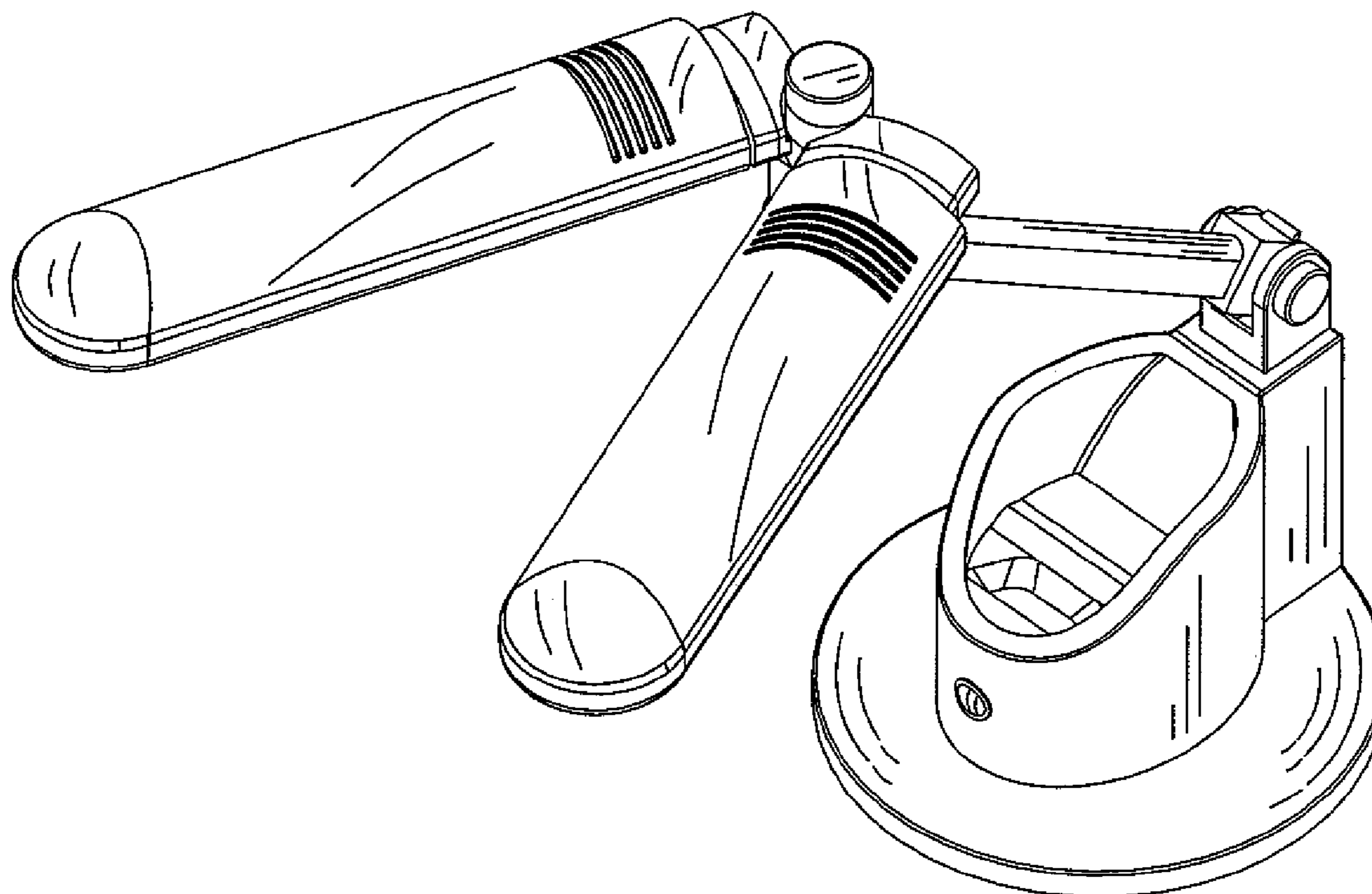
FIG. 5 is a right side elevational view thereof;

FIG. 6 is a top plan view thereof; and,

FIG. 7 is a bottom plan view thereof.

The broken lines shown in the drawings illustrate portions of the design and form no part of the claimed design.

**1 Claim, 7 Drawing Sheets**



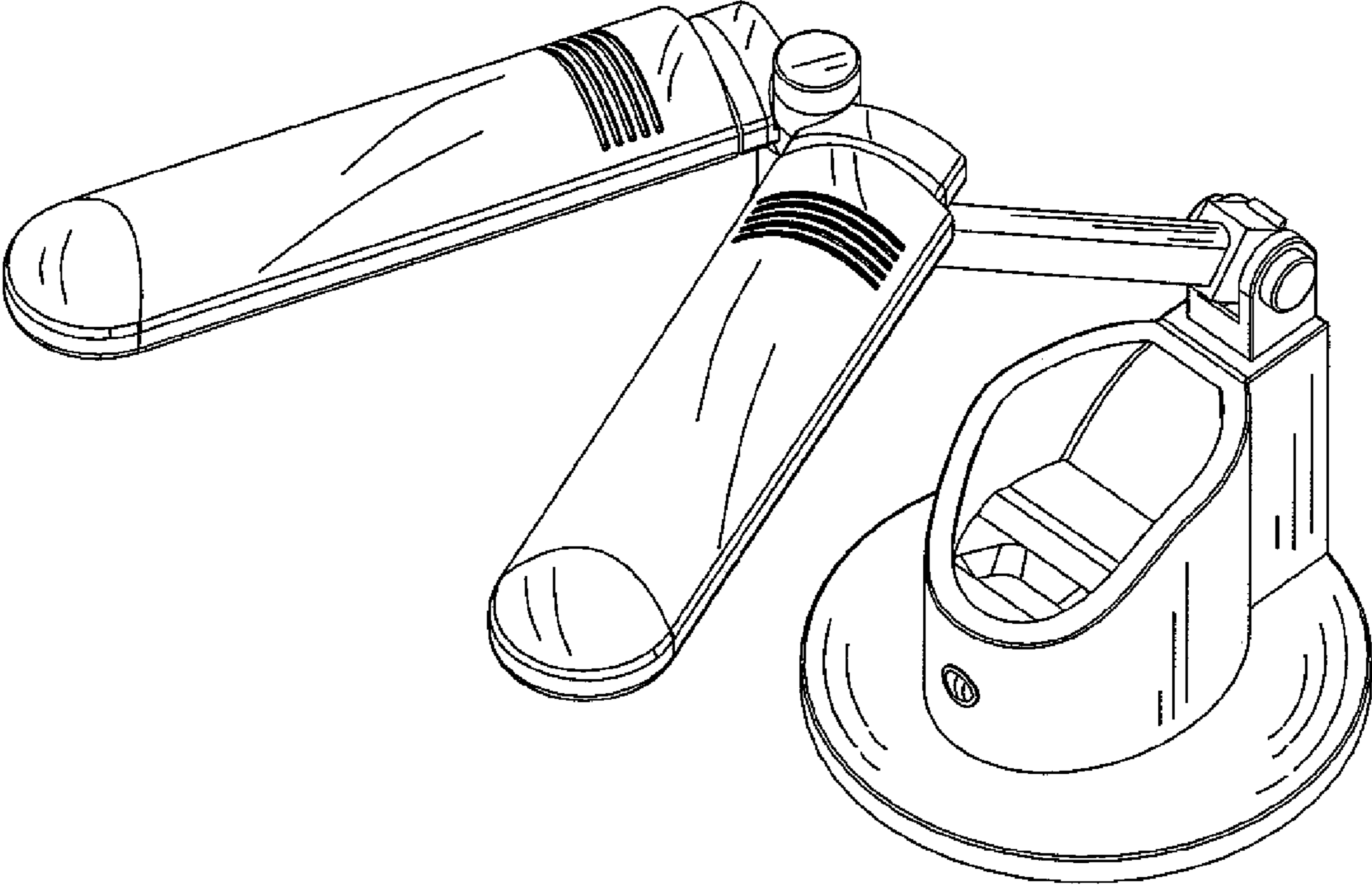


FIG.1

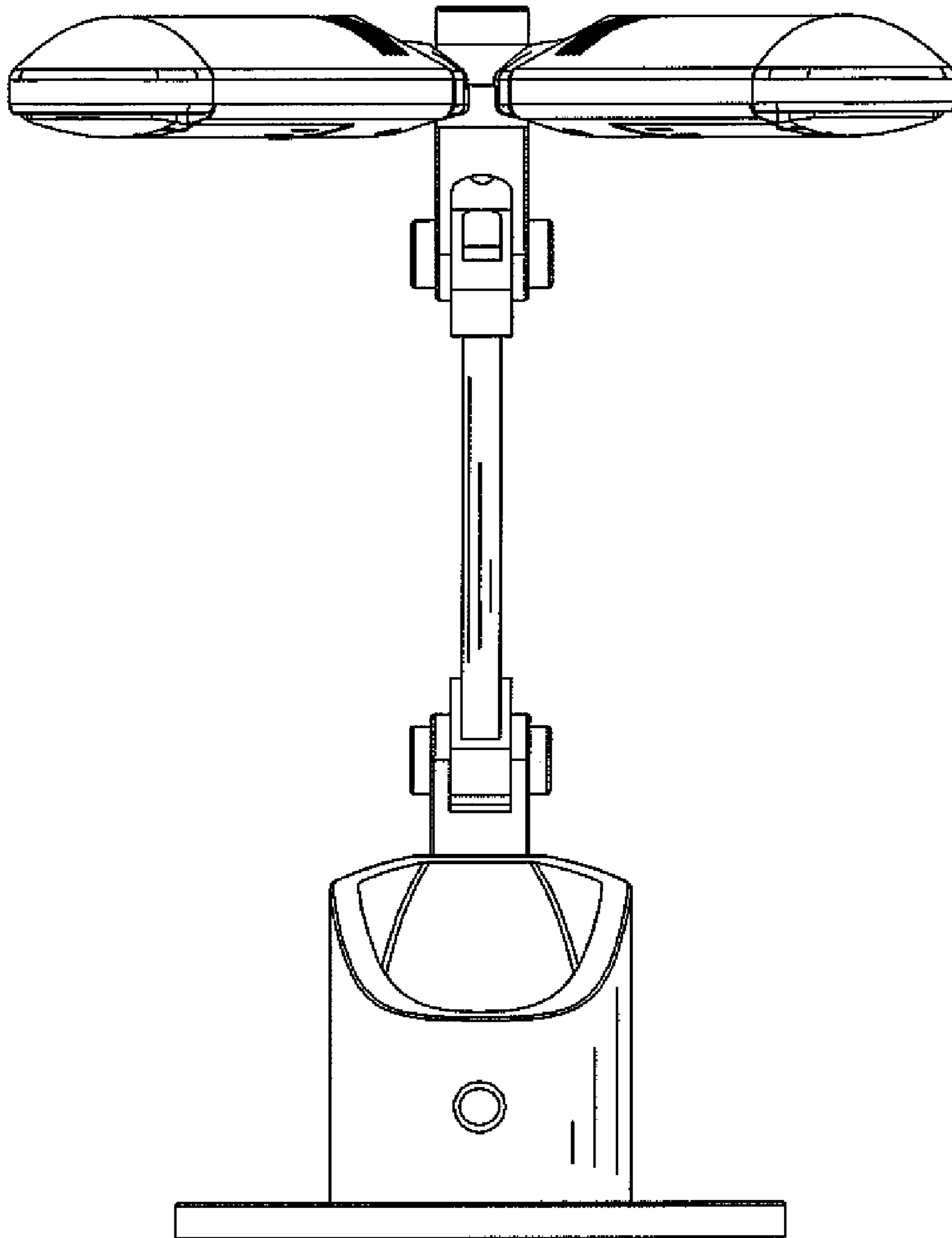


FIG 2

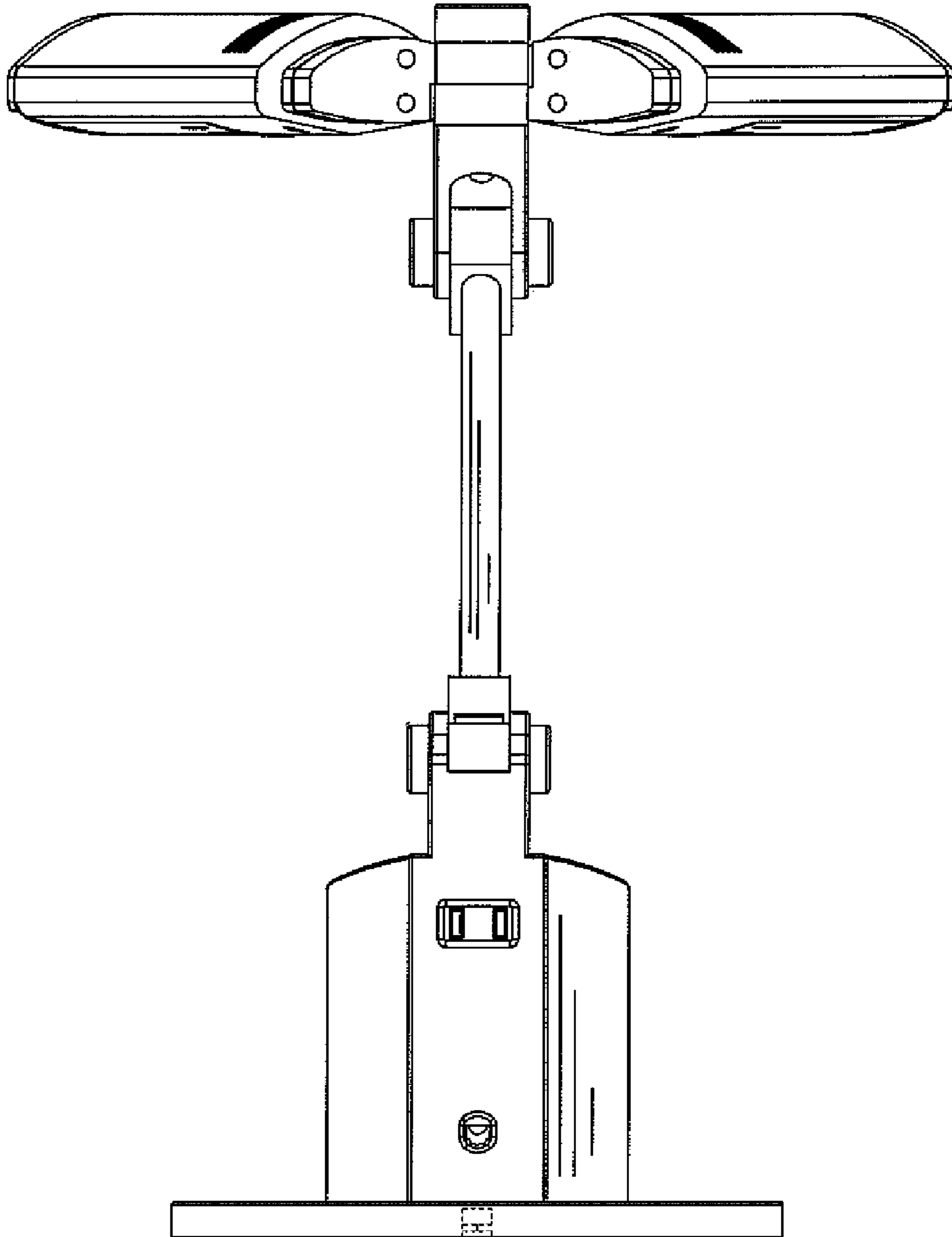


FIG.3

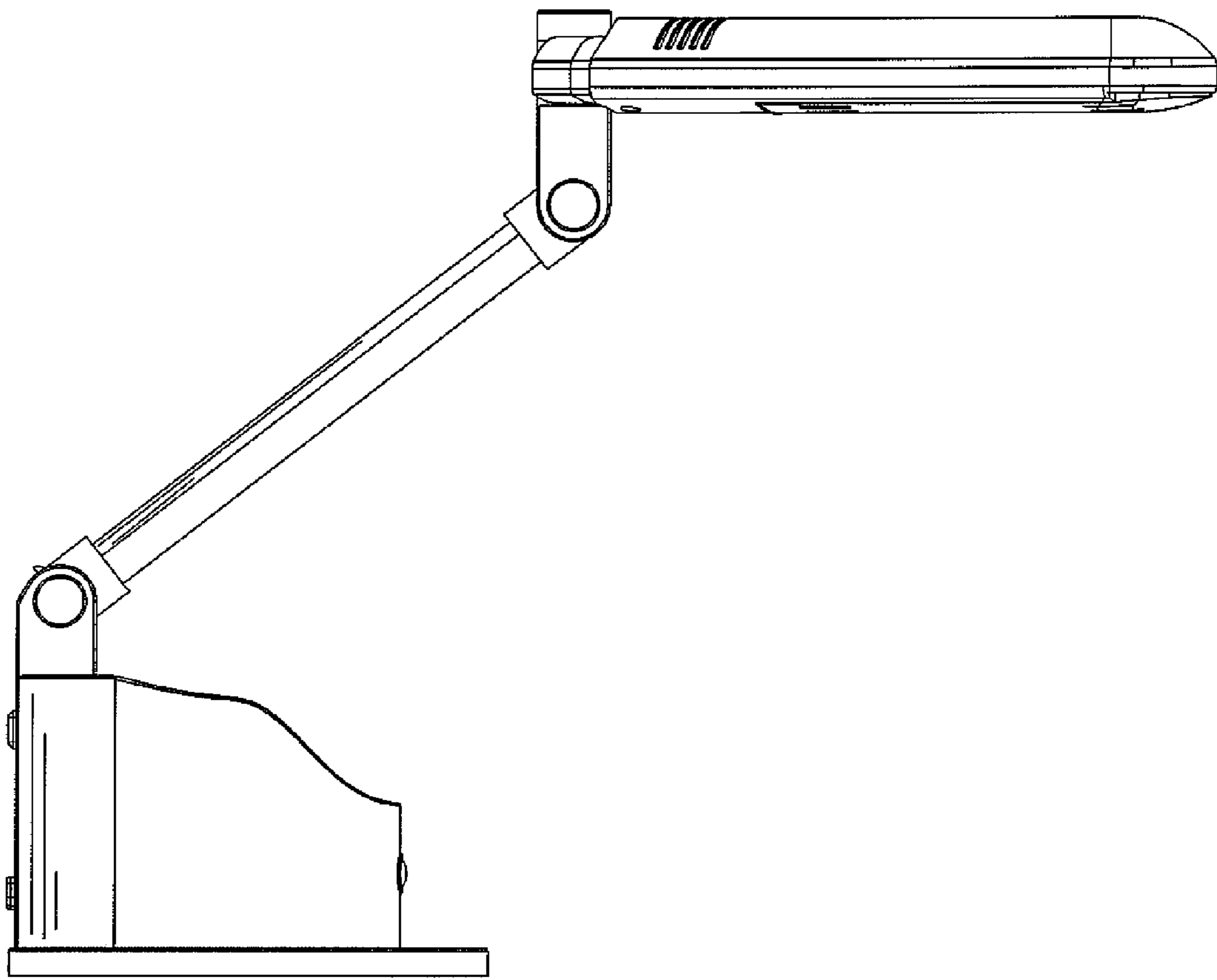


FIG. 4

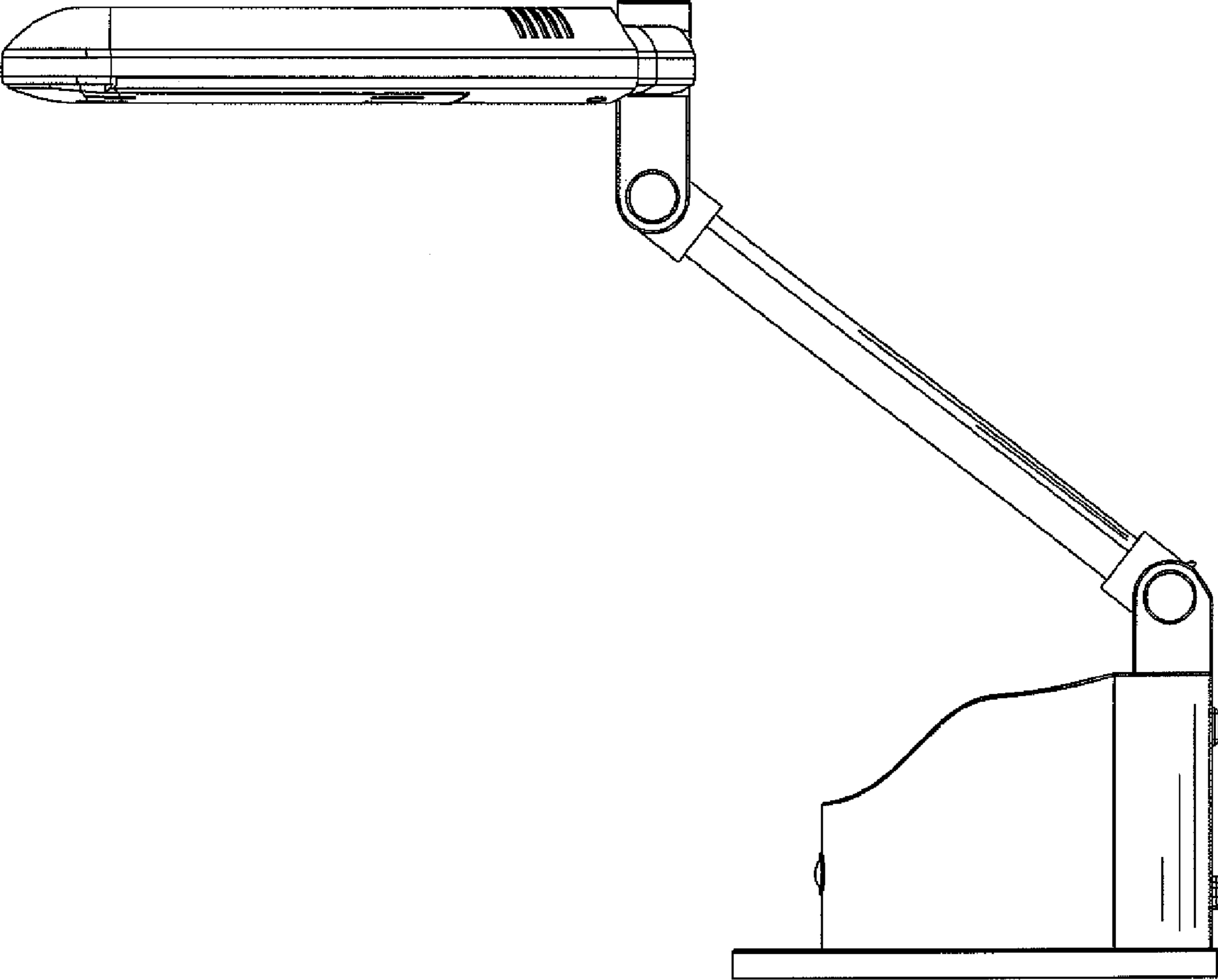


FIG.5

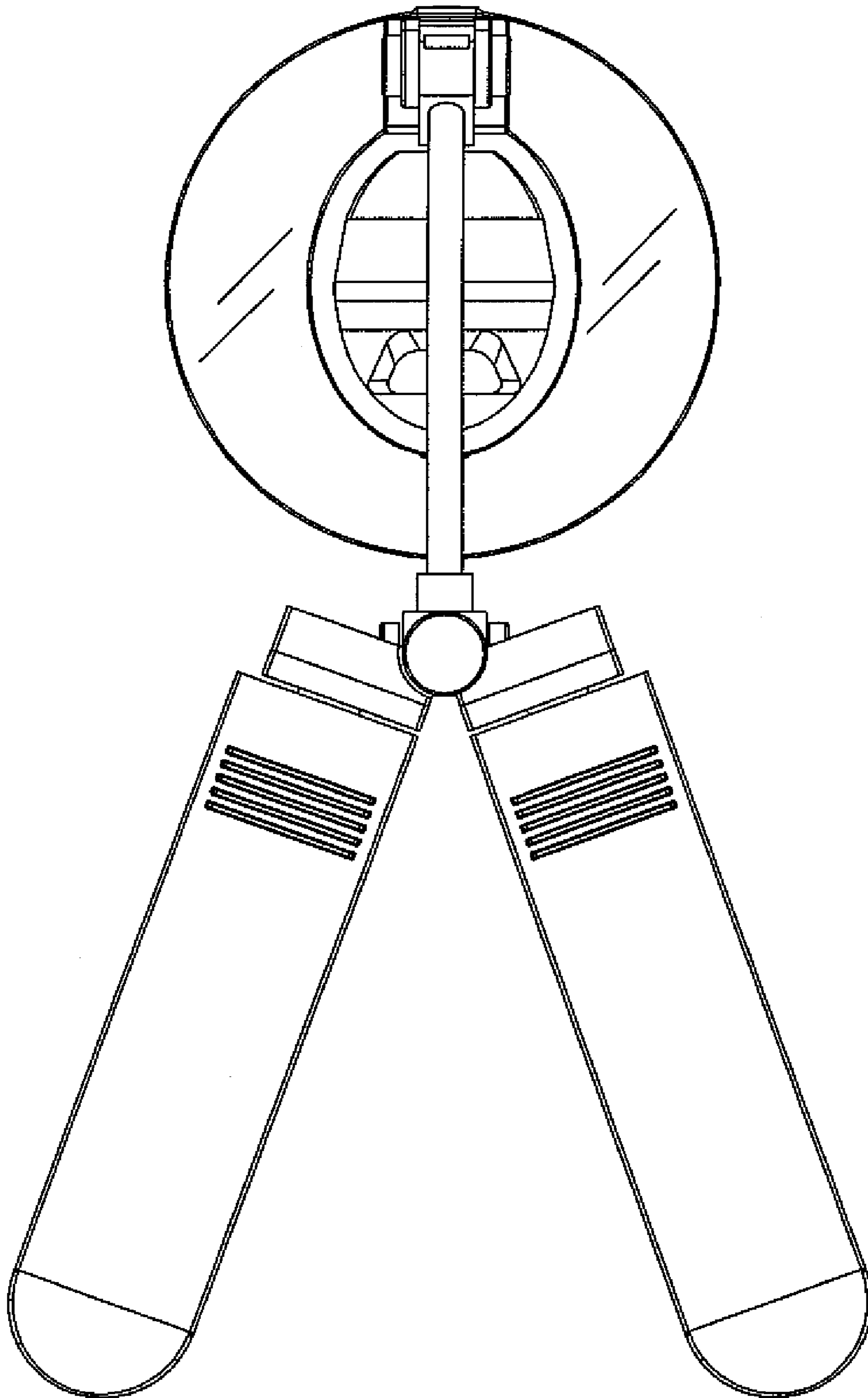


FIG.6

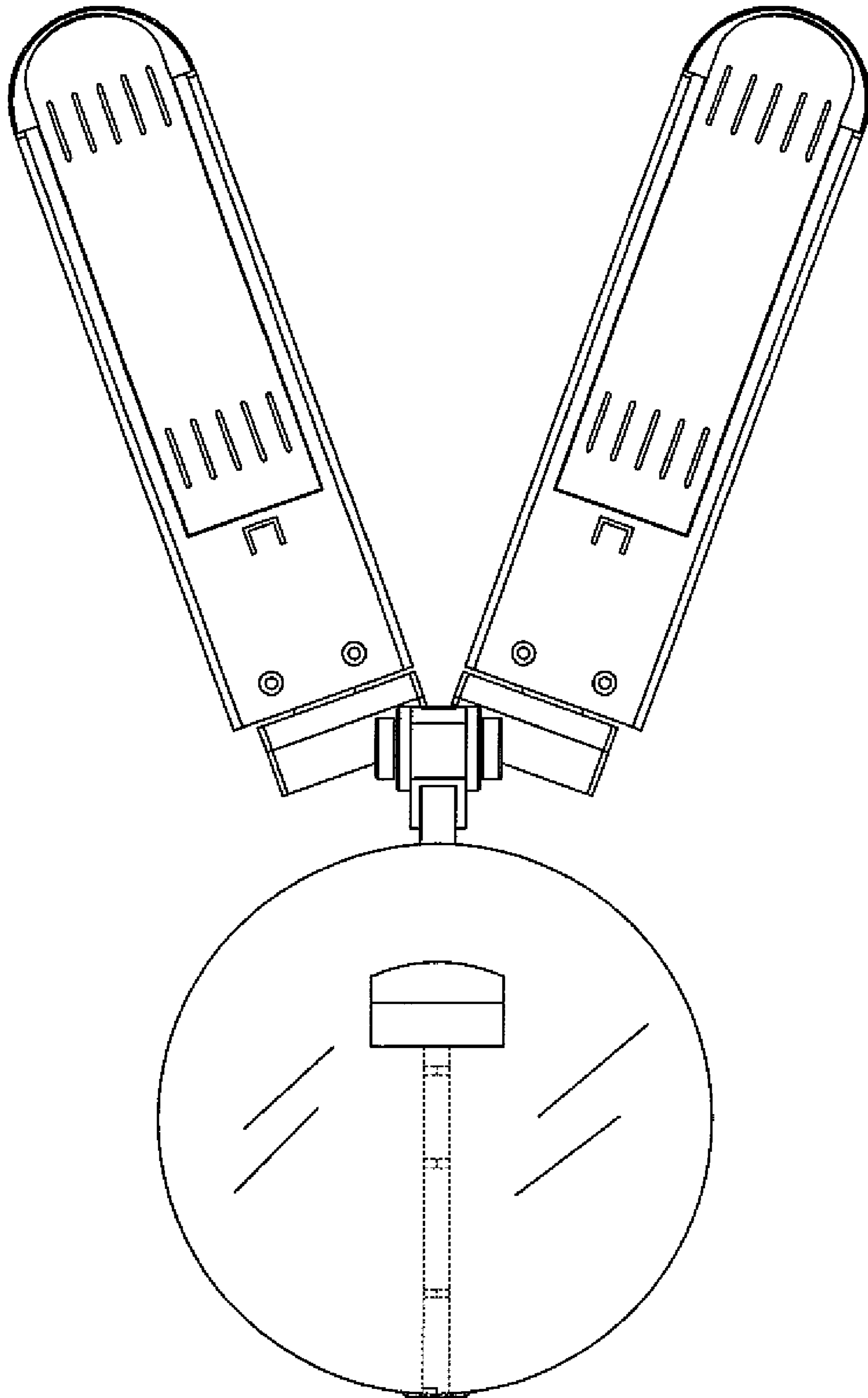


FIG.7