

US00D564117S

(12) **United States Design Patent**
Lippert

(10) **Patent No.:** **US D564,117 S**

(45) **Date of Patent:** **** Mar. 11, 2008**

(54) **PORTABLE LAMP**

2006/0072328 A1* 4/2006 Chan 362/382

(75) Inventor: **Helmut Lippert**, Breitenbrunn (DE)

OTHER PUBLICATIONS

(73) Assignee: **König & Meyer GmbH & Co. KG**,
Wertheim (DE)

<http://www.k-m.de/MUSIC-STAND-LIGHT-STARLIGHT-MINI.3+M5d52922ac86.0.html> : p. 1, 12230 Music Stand Light
□□>>Starlight Mini<< (no date).*

(**) Term: **14 Years**

* cited by examiner

(21) Appl. No.: **29/239,046**

Primary Examiner—Cathron Brooks

Assistant Examiner—Barbara Fox

(22) Filed: **Sep. 23, 2005**

(74) *Attorney, Agent, or Firm*—Friedrich Kueffner

(30) **Foreign Application Priority Data**

(57) **CLAIM**

Mar. 23, 2005 (EM) 000326715-0001/0002

The ornamental design for a portable lamp, as shown and described.

(51) **LOC (8) Cl.** **26-05**

(52) **U.S. Cl.** **D26/61**

(58) **Field of Classification Search** D26/60–66,
D26/118, 128; 362/269, 275, 277, 278, 281,
362/283, 285, 27, 427, 428, 430, 413

See application file for complete search history.

DESCRIPTION

(56) **References Cited**

FIG. 1 is a perspective bottom front view of a portable lamp with the arm in an extended position;

FIG. 2 is a perspective top rear view of the portable lamp with the arm in a retracted position;

FIG. 3 is a perspective top front view of the portable lamp with the arm in an extended position;

FIG. 4 is a perspective top front view of the portable lamp with the arm in a retracted position;

FIG. 5 is a perspective side rear view of the portable lamp with the arm in an extended position;

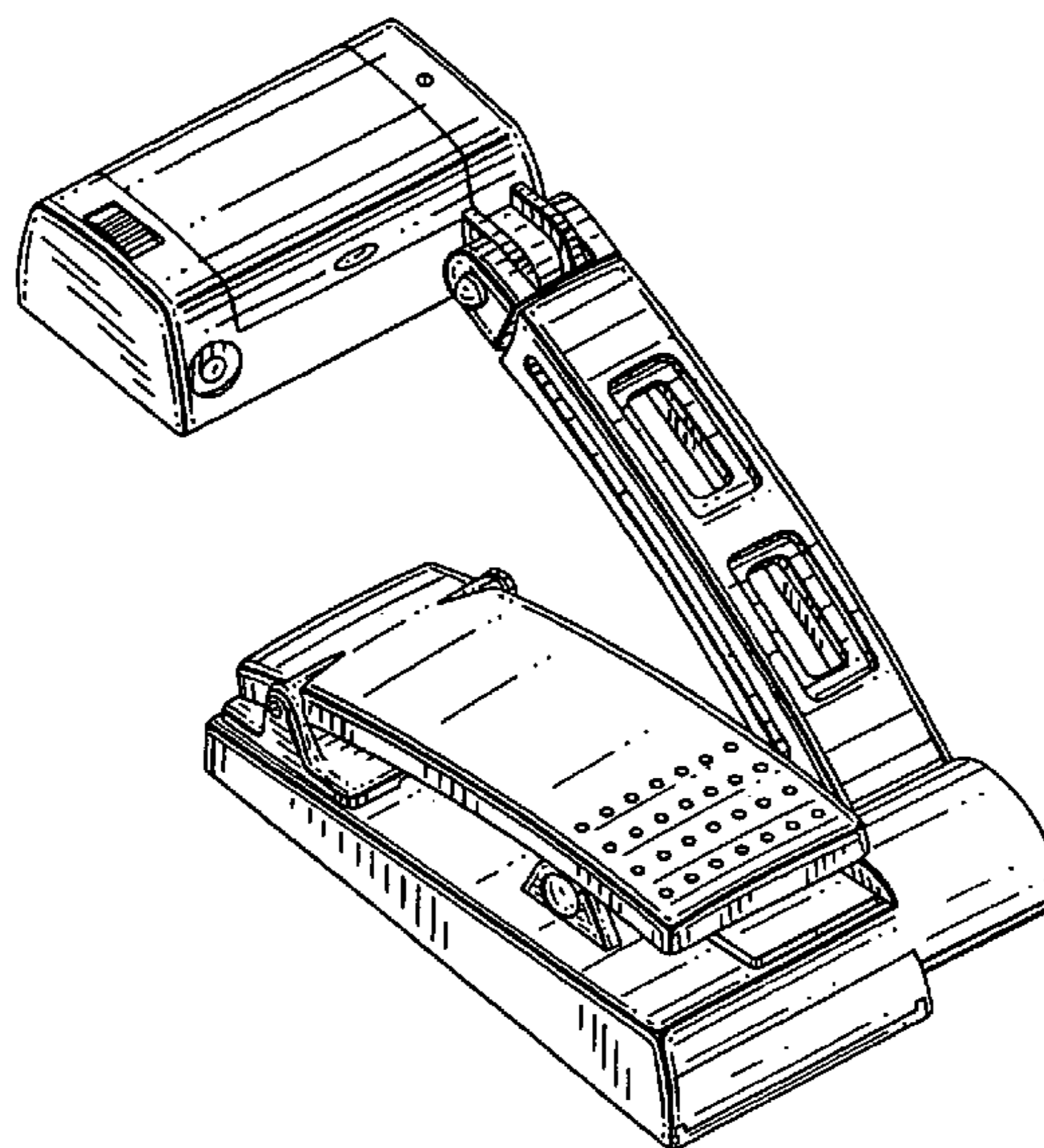
FIG. 6 is a front view thereof; and,

FIG. 7 is a side view thereof.

U.S. PATENT DOCUMENTS

D287,412 S *	12/1986	Fung	D26/60
D340,303 S *	10/1993	Huang	D26/66
5,695,271 A *	12/1997	Zeller	362/98
D428,177 S *	7/2000	Chan	D26/60
D446,873 S *	8/2001	Fisher et al.	D26/60
D468,468 S *	1/2003	Wallach et al.	D26/60
D507,840 S *	7/2005	Chan	D26/60
D509,012 S *	8/2005	Chan	D26/60
D523,984 S *	6/2006	Cai	D26/61
D542,451 S *	5/2007	Chan	D26/60

1 Claim, 7 Drawing Sheets



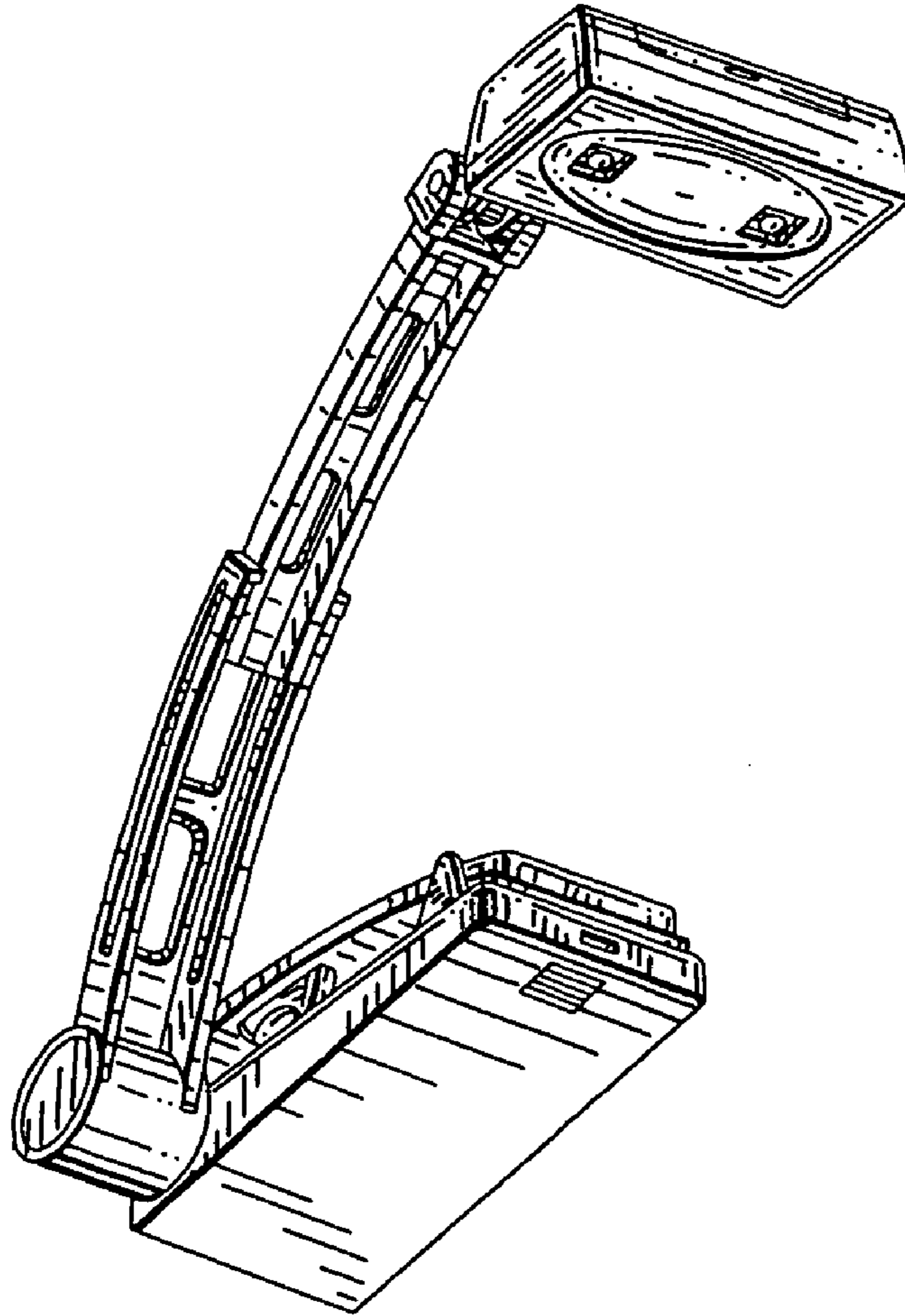


FIG. 1

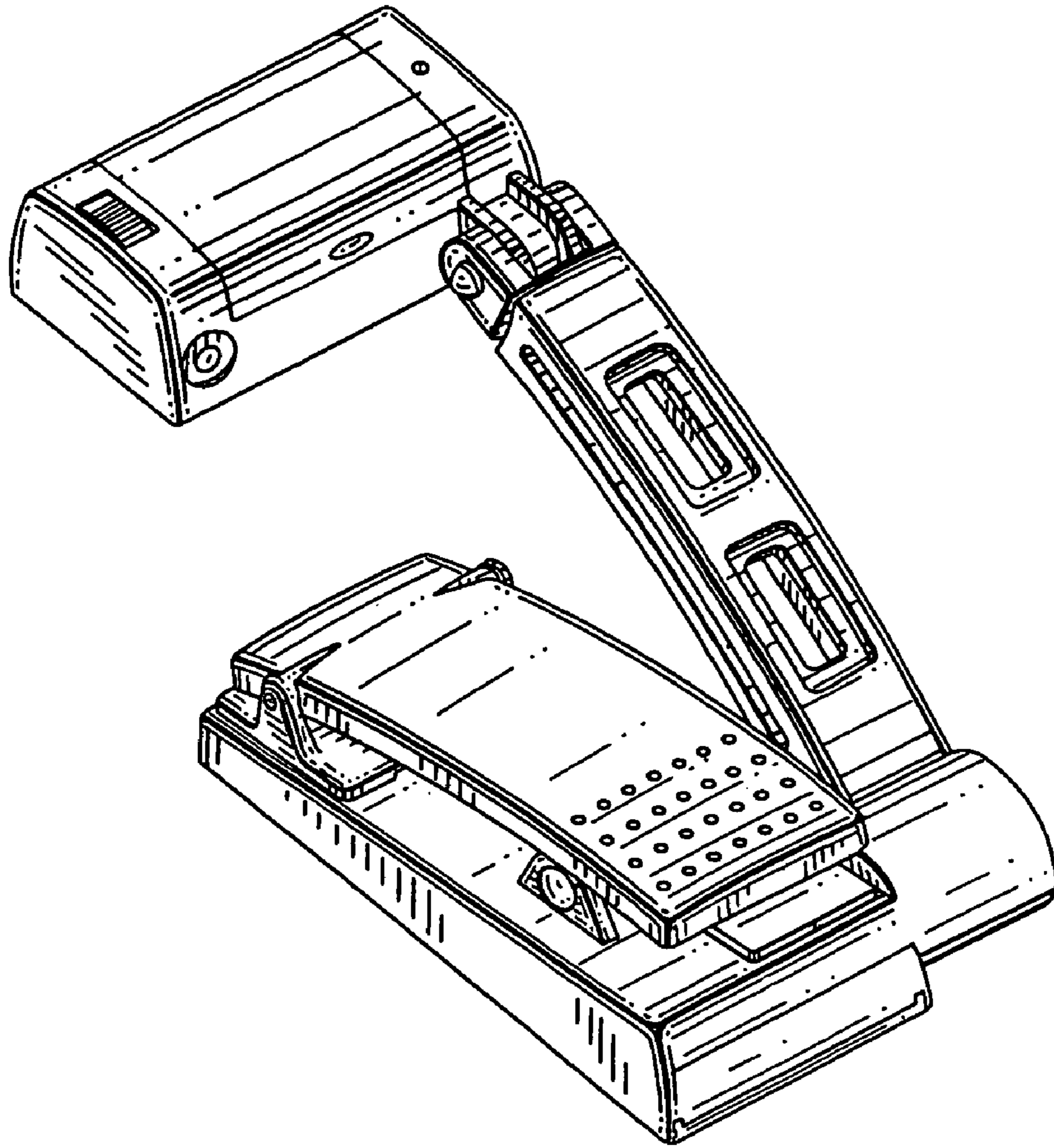


FIG. 2

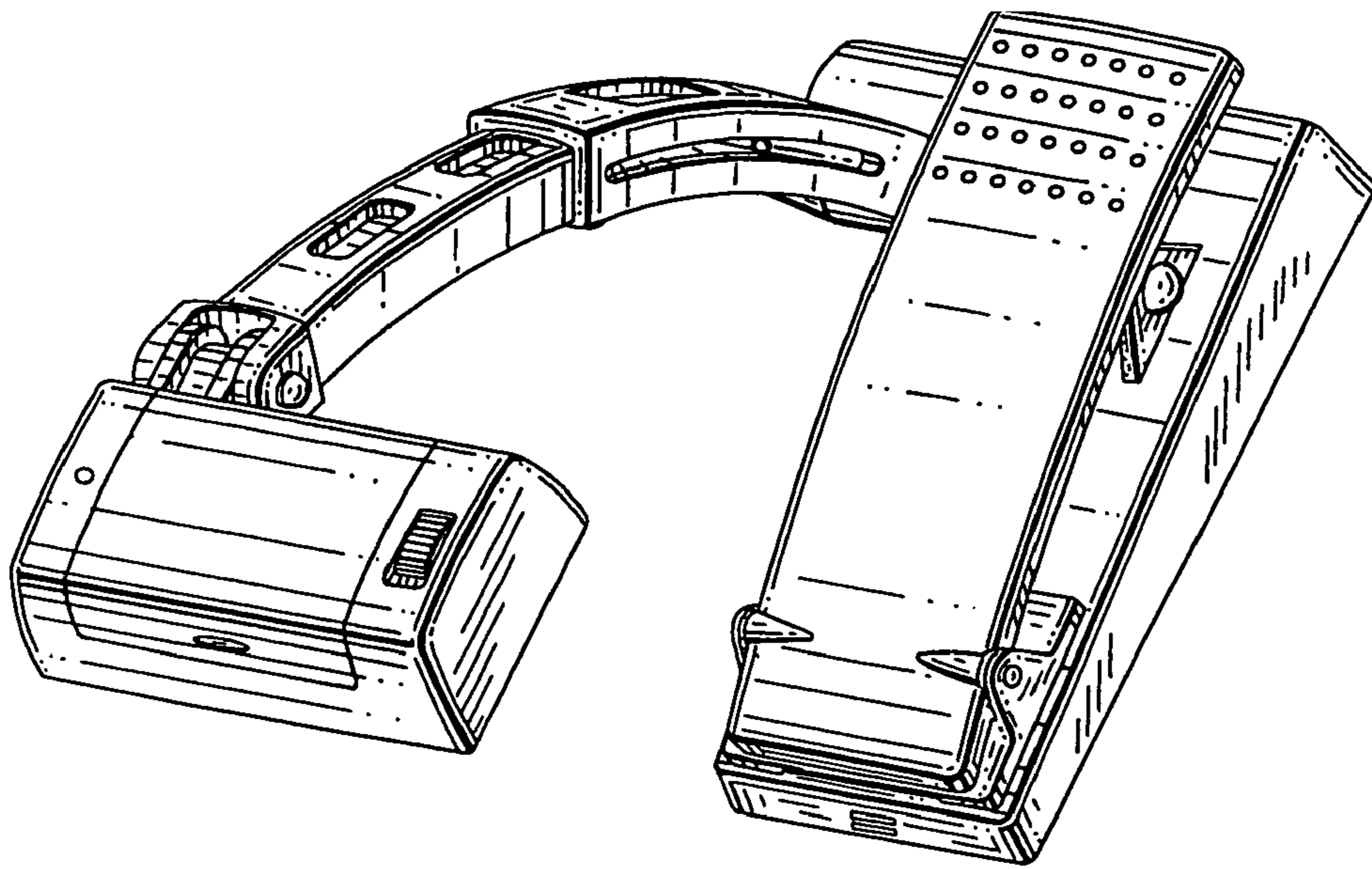


FIG. 3

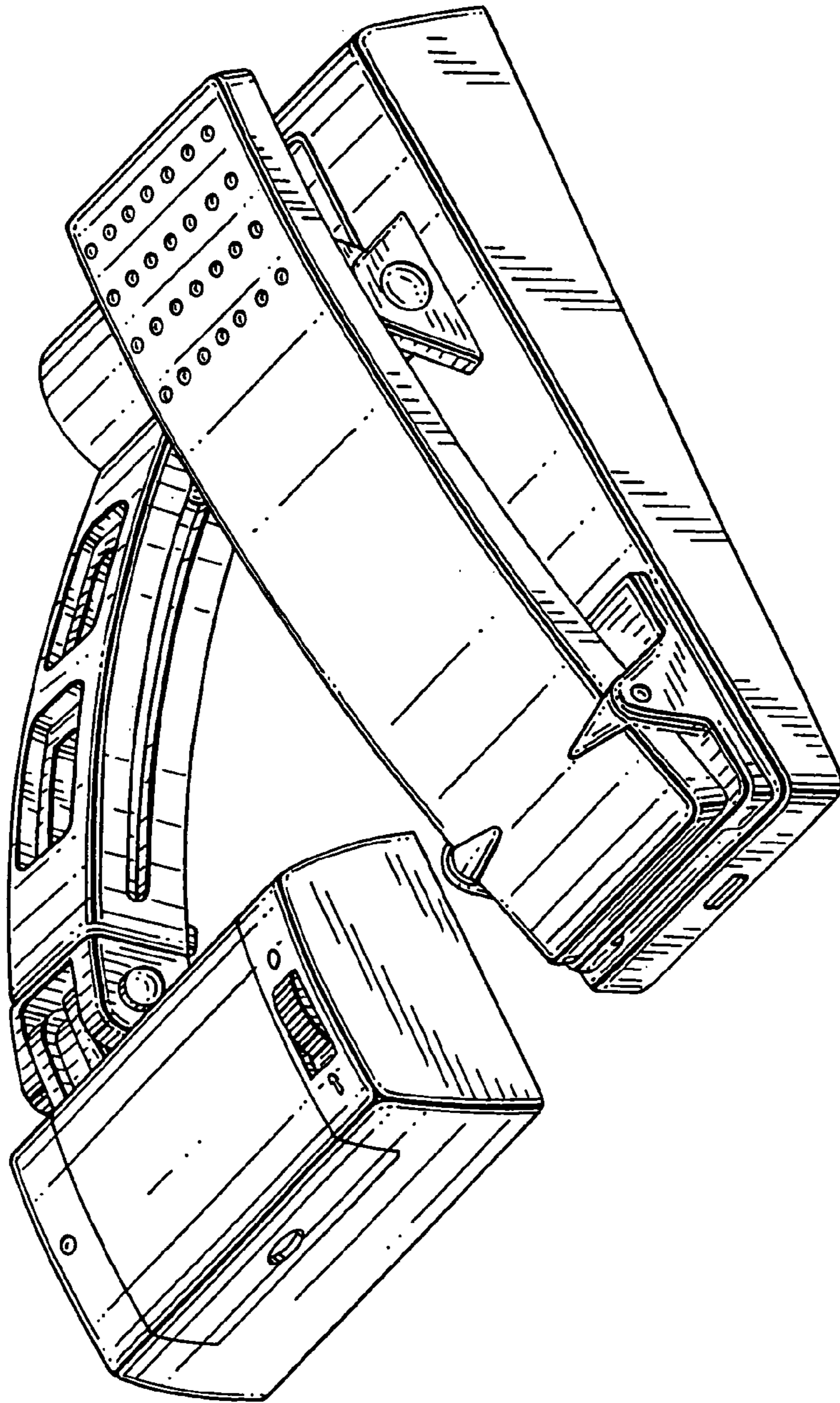


FIG. 4

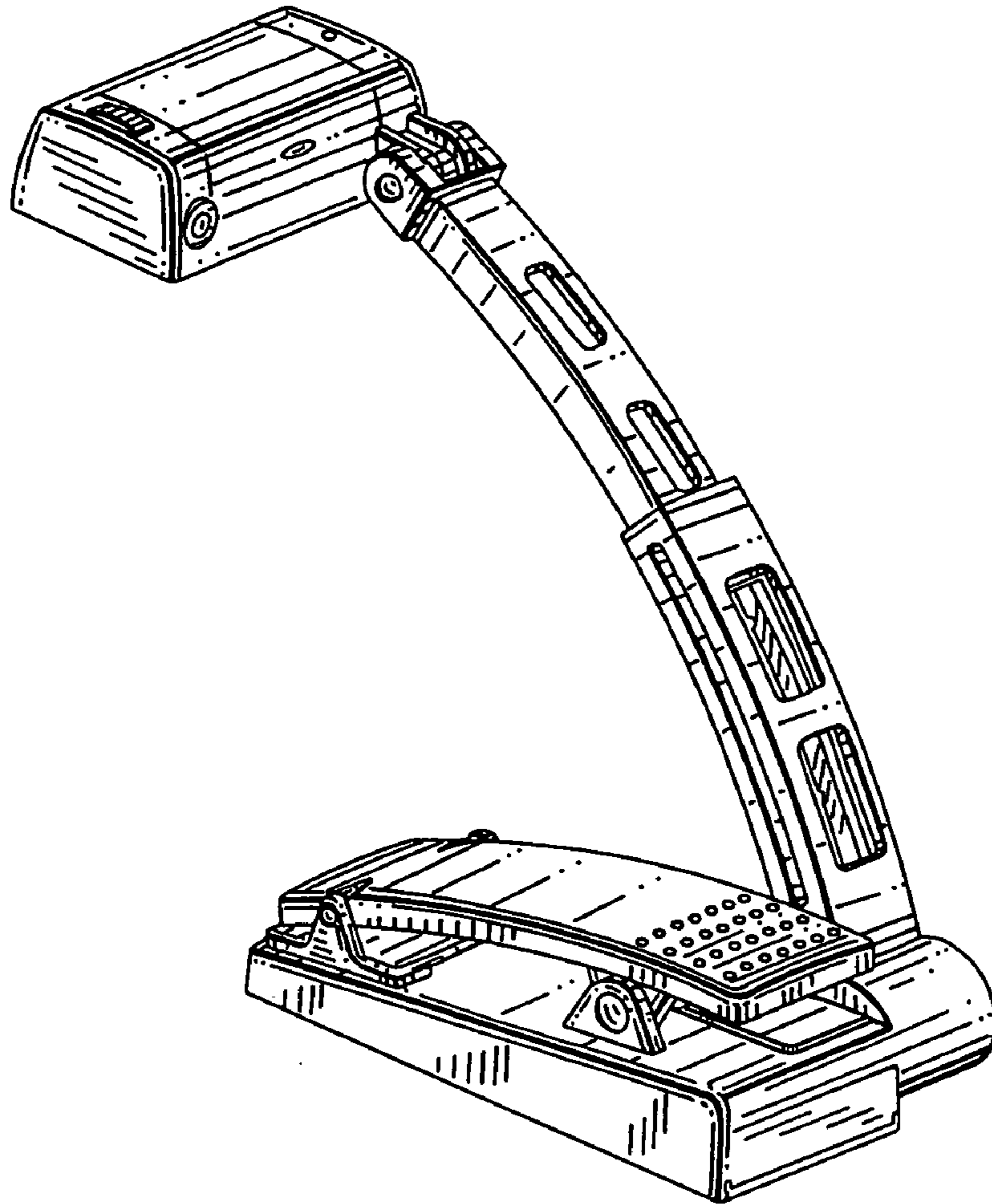


FIG. 5

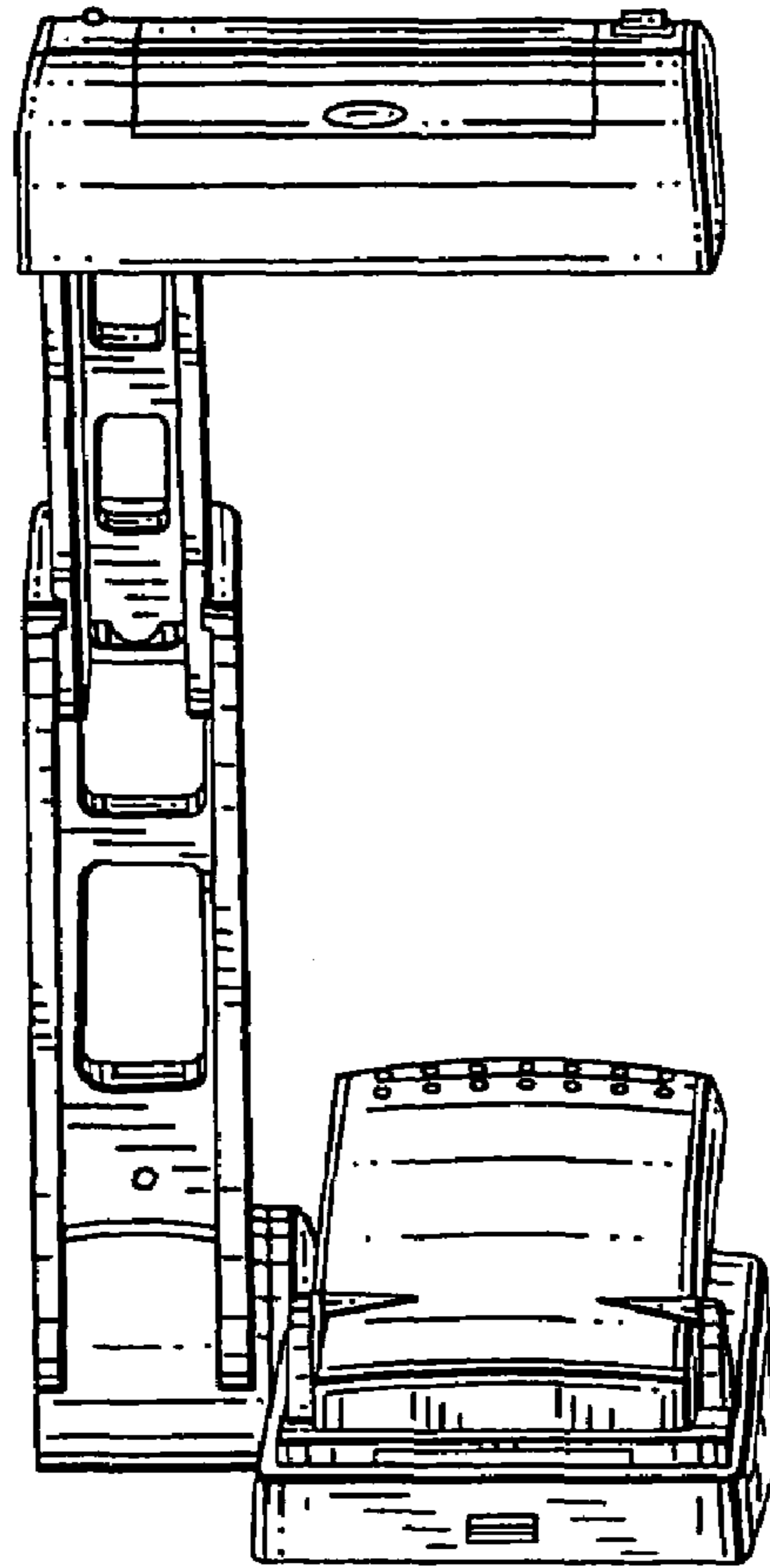


FIG. 6

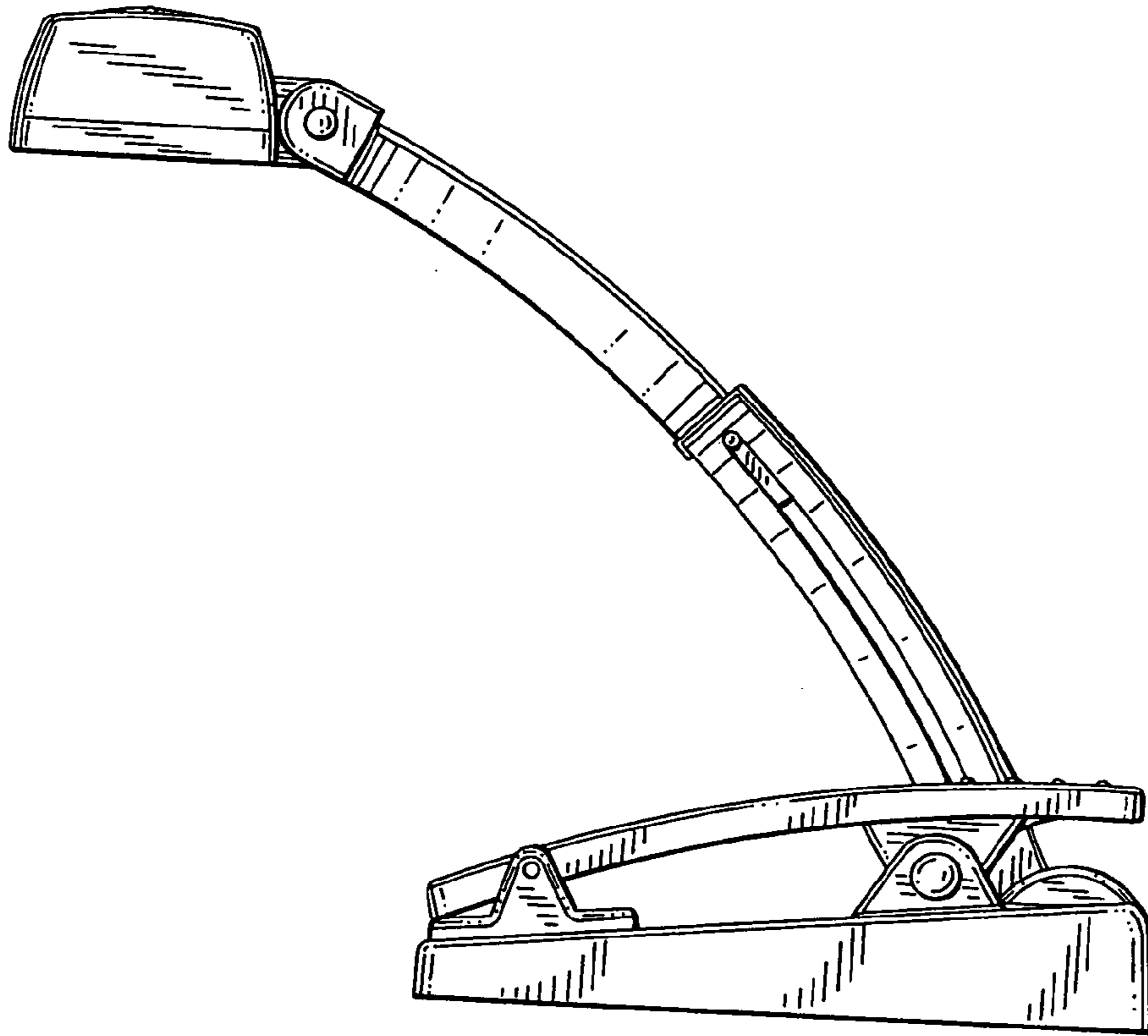


FIG. 7