



US00D564116S

(12) **United States Design Patent**
Linardos

(10) **Patent No.:** **US D564,116 S**

(45) **Date of Patent:** **** Mar. 11, 2008**

(54) **FLASHLIGHT**

D532,138 S * 11/2006 Wang et al. D26/49
D533,674 S * 12/2006 Julius et al. D26/49

(75) Inventor: **George Linardos**, Rowville (AU)

* cited by examiner

(73) Assignee: **Top Gun Pty Ltd.**, Braeside, Victoria (AU)

Primary Examiner—Marcus A. Jackson

(**) Term: **14 Years**

(74) *Attorney, Agent, or Firm*—Gray, PLant, Mooty, Mooty & Bennett, PA

(21) Appl. No.: **29/282,304**

(57) **CLAIM**

(22) Filed: **Jul. 16, 2007**

I claim the ornamental design for a flashlight, as shown and described.

(30) **Foreign Application Priority Data**

DESCRIPTION

Jun. 14, 2007 (AU) 18376/2007

FIG. 1 is a top view of a flashlight showing my new design;

(51) **LOC (8) Cl.** **26-02**

FIG. 2 is a bottom view of the same;

(52) **U.S. Cl.** **D26/49**

FIG. 3 is a front view of the same;

(58) **Field of Classification Search** D26/37-50;
362/157, 158, 171-174, 183-208
See application file for complete search history.

FIG. 4 is a back view of the same;

FIG. 5 is a left side view of the same;

FIG. 6 is a right side view of the same;

FIG. 7 is a left perspective of the same; and,

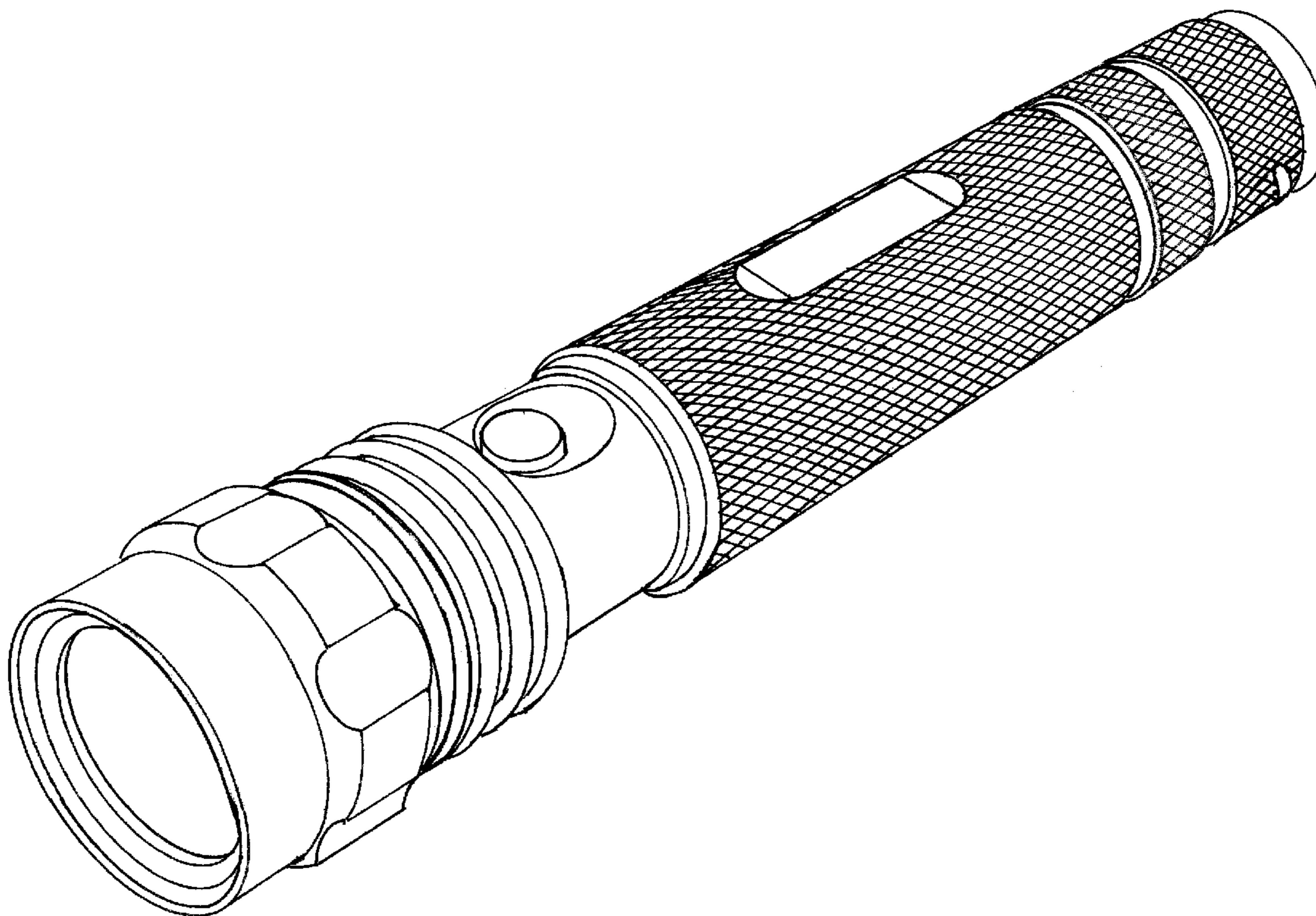
FIG. 8 is a right perspective view of the same.

(56) **References Cited**

1 Claim, 7 Drawing Sheets

U.S. PATENT DOCUMENTS

D496,115 S * 9/2004 Lin D26/49
D521,670 S * 5/2006 Kung D26/49



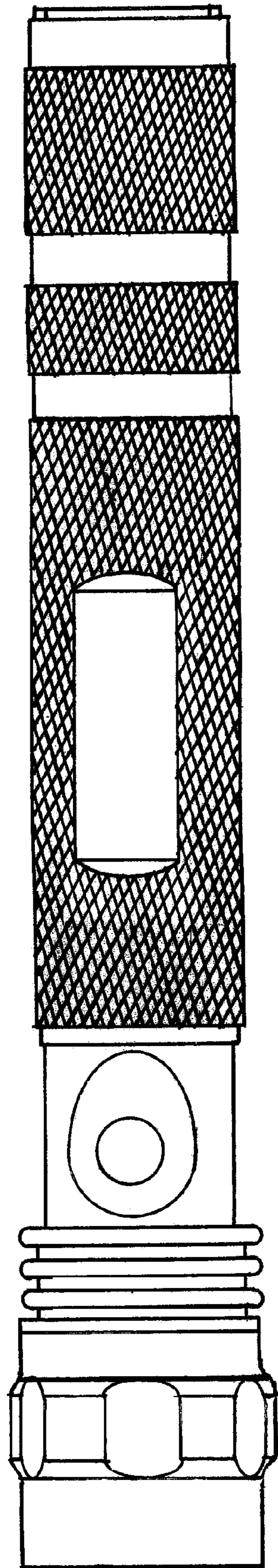


FIG. 1

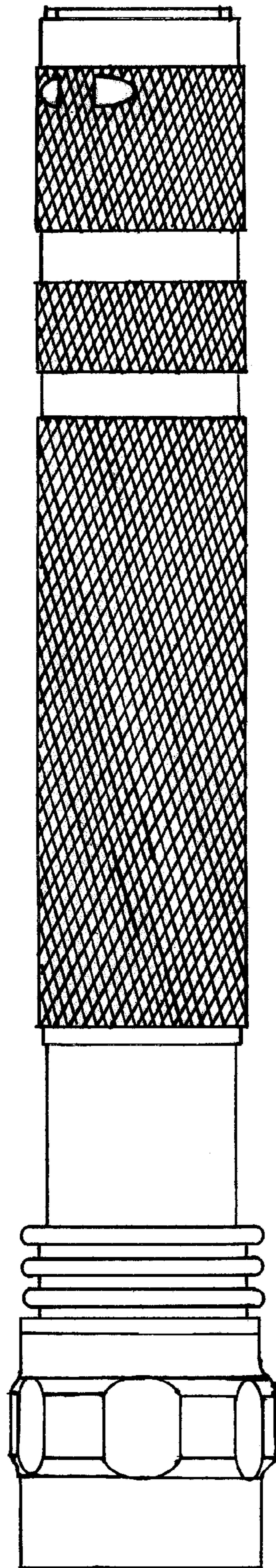


FIG. 2

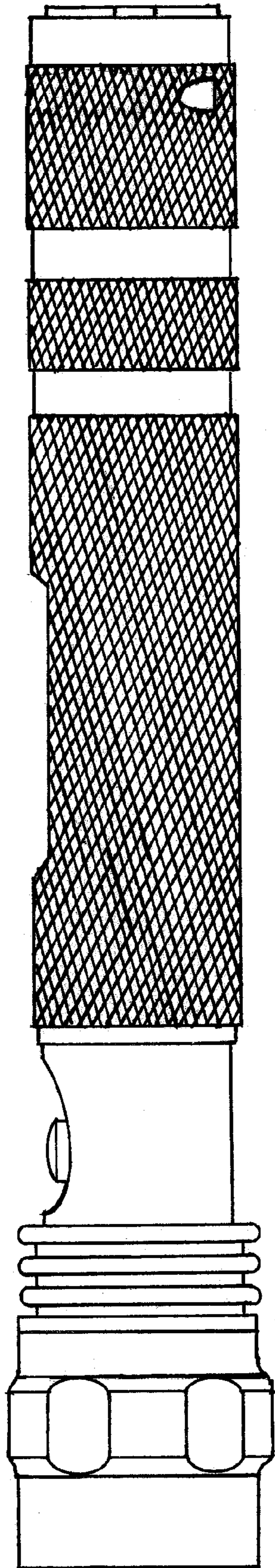


FIG. 3

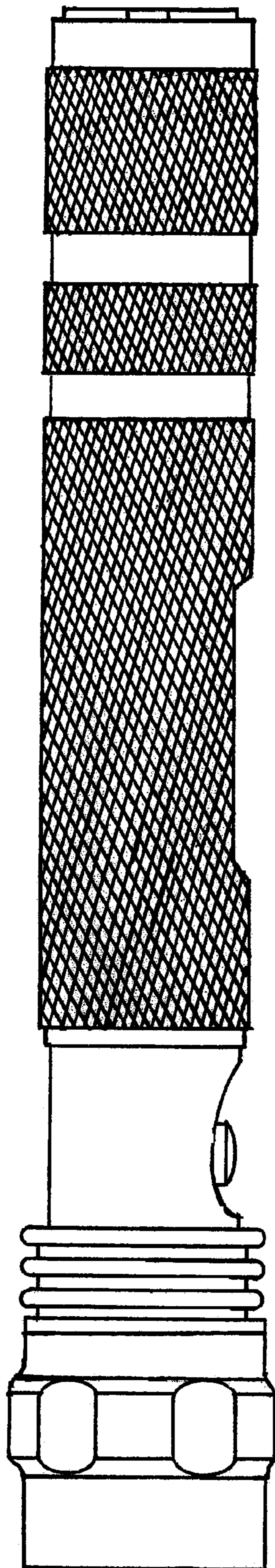


FIG. 4

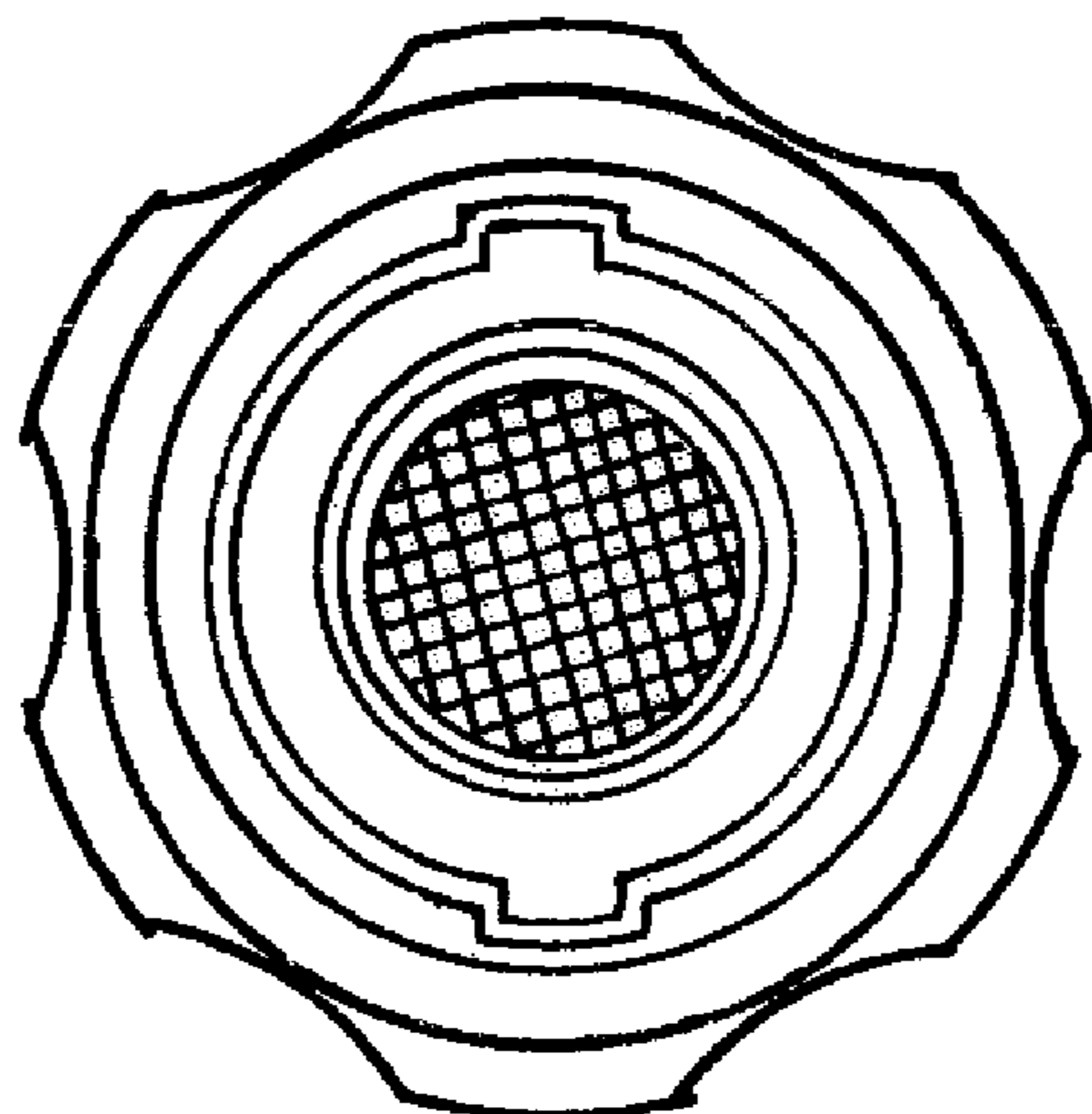


FIG. 5

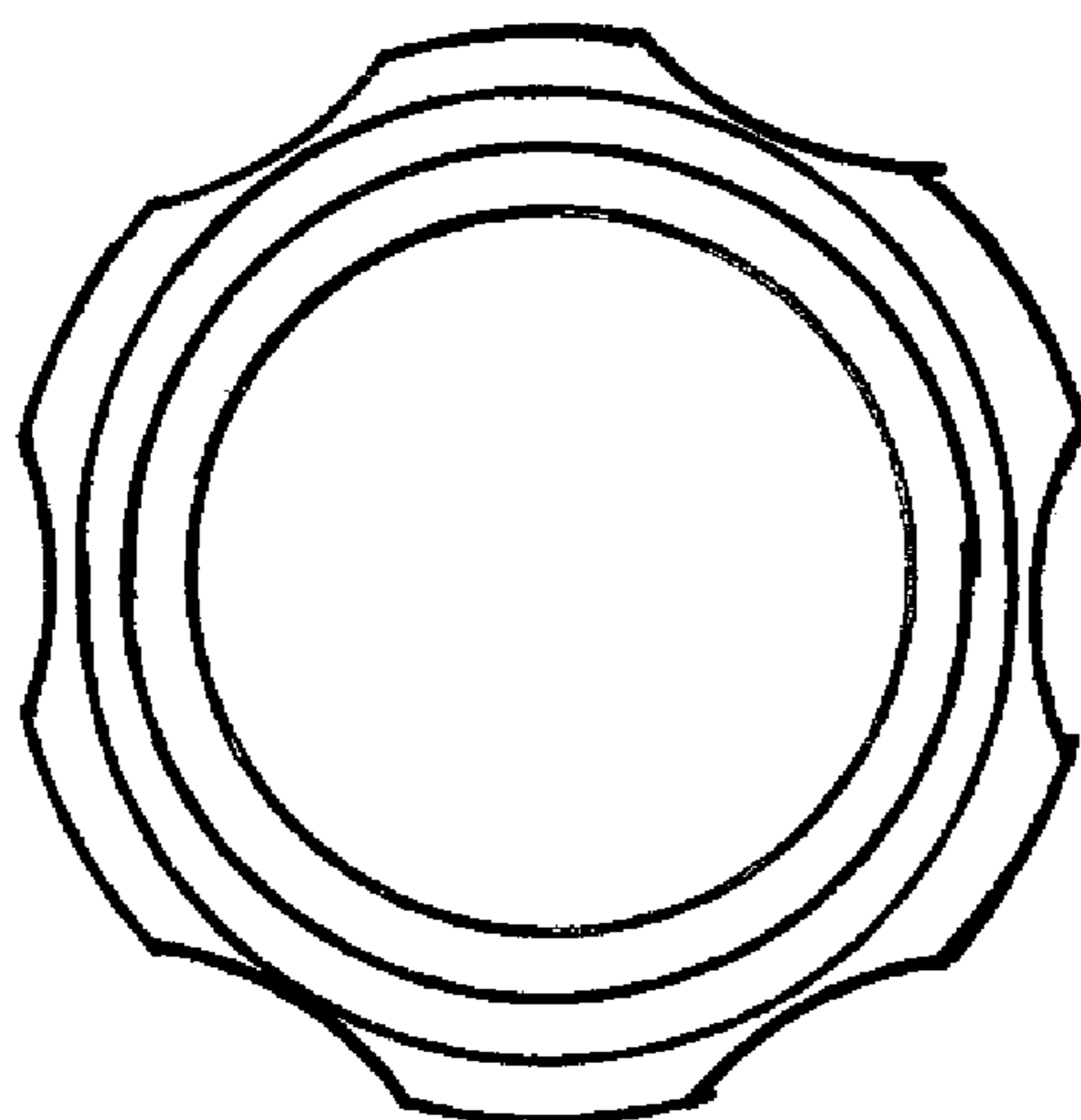


FIG. 6

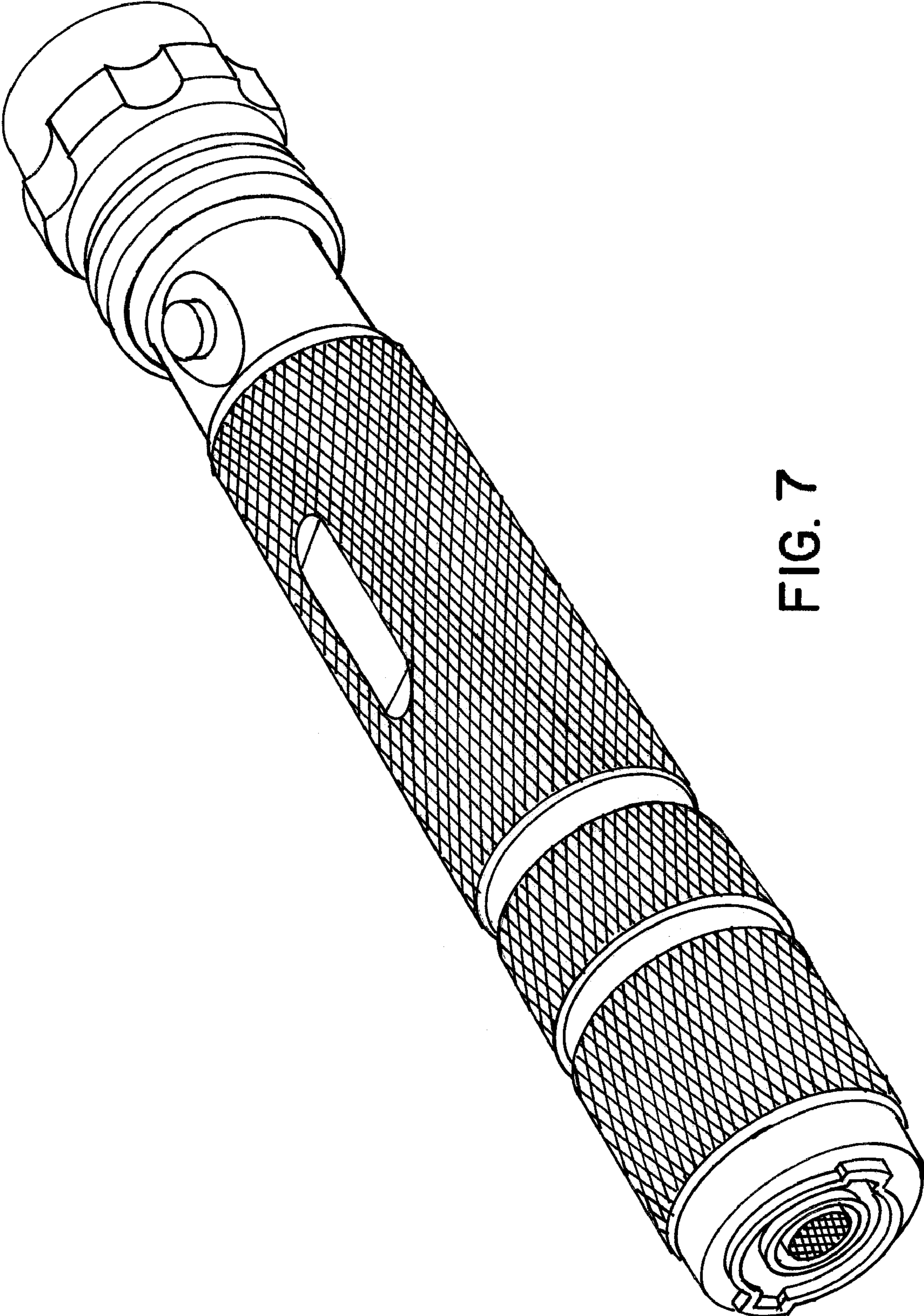


FIG. 7

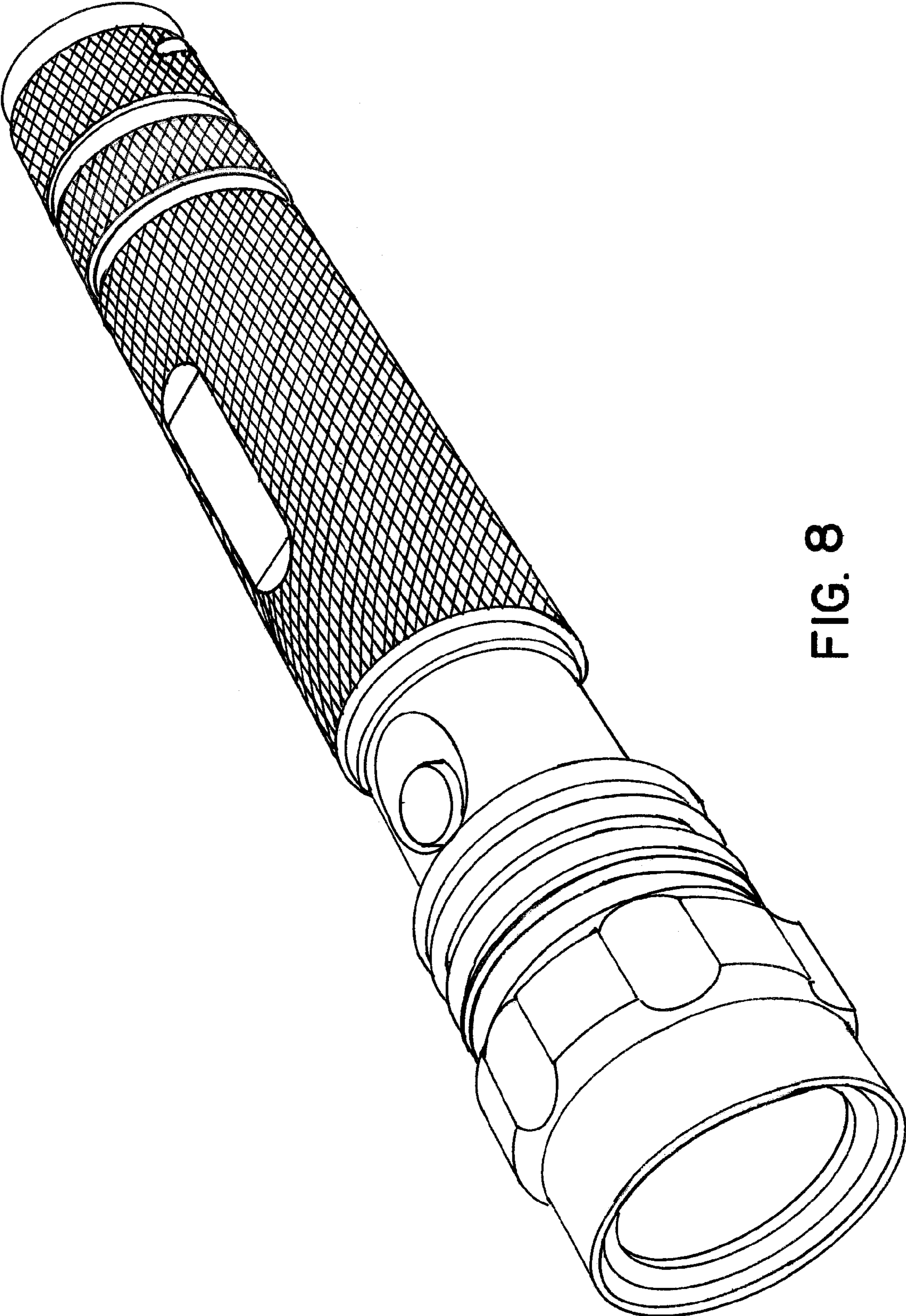


FIG. 8