



US00D564114S

(12) **United States Design Patent**
Wei

(10) **Patent No.:** **US D564,114 S**

(45) **Date of Patent:** **** Mar. 11, 2008**

(54) **FLASHLIGHT**

(75) Inventor: **Gan Wei**, Nanjing (CN)

(73) Assignee: **Nanjing Chervon Industry Co., Ltd.**,
Nanjing (JP)

(**) Term: **14 Years**

(21) Appl. No.: **29/268,984**

(22) Filed: **Nov. 17, 2006**

(30) **Foreign Application Priority Data**

May 19, 2006 (CN) 2006 3 0086548

(51) **LOC (8) Cl.** **26-02**

(52) **U.S. Cl.** **D26/44**

(58) **Field of Classification Search** D26/37,
D26/38, 43, 44, 45, 48; 362/612, 555, 578,
362/33, 109, 157, 158, 159, 174, 183, 187,
362/188, 192, 193

See application file for complete search history.

(56) **References Cited**

U.S. PATENT DOCUMENTS

D405,552 S * 2/1999 Howard et al. D26/44
D413,994 S * 9/1999 Clowers et al. D26/44
D422,730 S * 4/2000 Byler et al. D26/44

D428,175 S * 7/2000 Lynch et al. D26/44
D479,351 S * 9/2003 Ashfield D26/44
D493,555 S * 7/2004 Kung D26/45
D507,371 S * 7/2005 Heun D26/44

* cited by examiner

Primary Examiner—Ian Simmons

Assistant Examiner—Carissa C Fitts

(74) *Attorney, Agent, or Firm*—Butzel Long

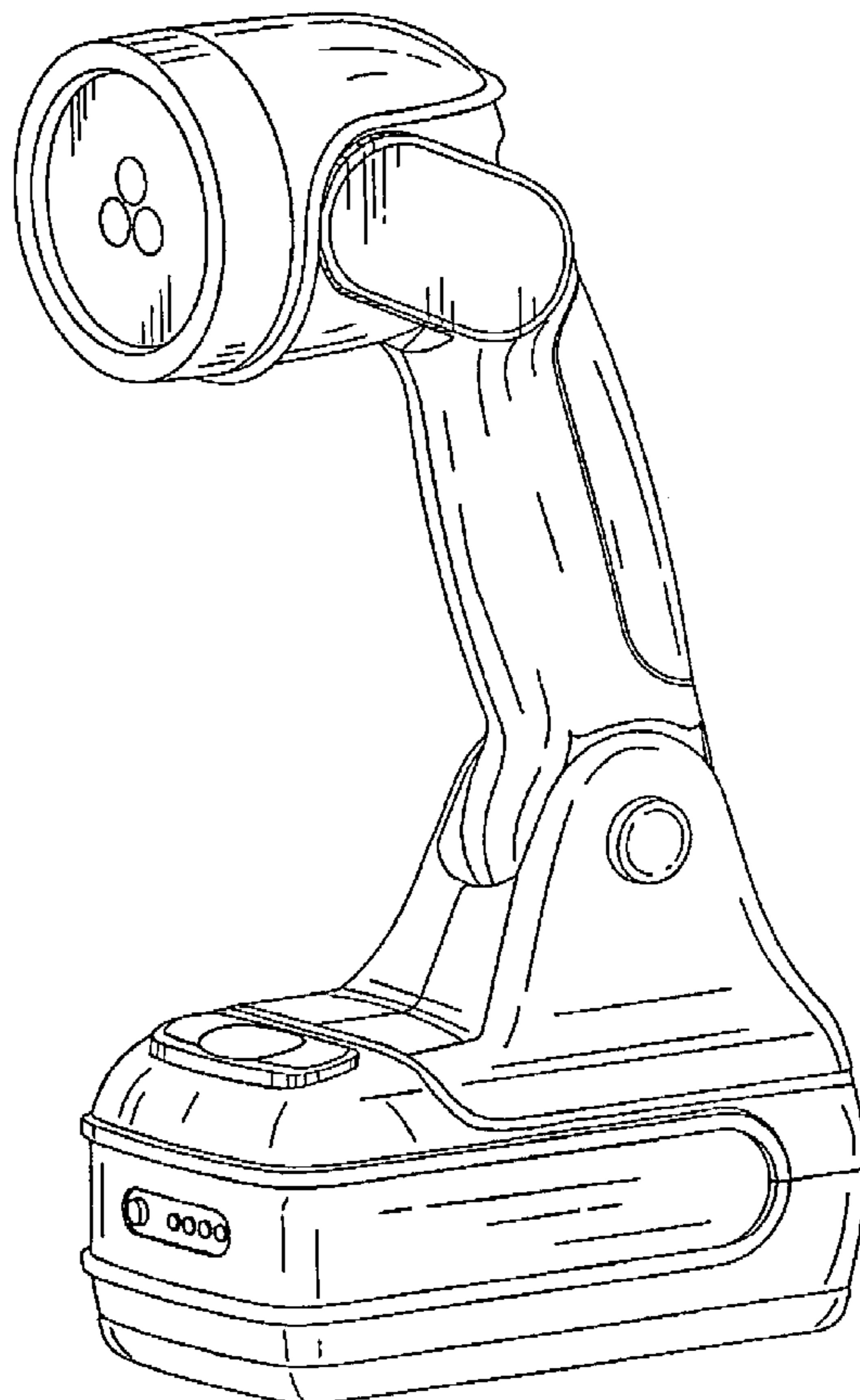
(57) **CLAIM**

The ornamental design for a flashlight, as shown and described.

DESCRIPTION

FIG. 1 is a front elevational view of the design;
FIG. 2 is a rear elevational view of the flashlight in FIG. 1;
FIG. 3 is a left side elevational view of the flashlight in FIG. 1;
FIG. 4 is a right side elevational view of the flashlight in FIG. 1;
FIG. 5 is a top plan view of the flashlight in FIG. 1;
FIG. 6 is a bottom plan view of the flashlight in FIG. 1; and,
FIG. 7 is a perspective view of the flashlight of FIG. 1.

1 Claim, 6 Drawing Sheets



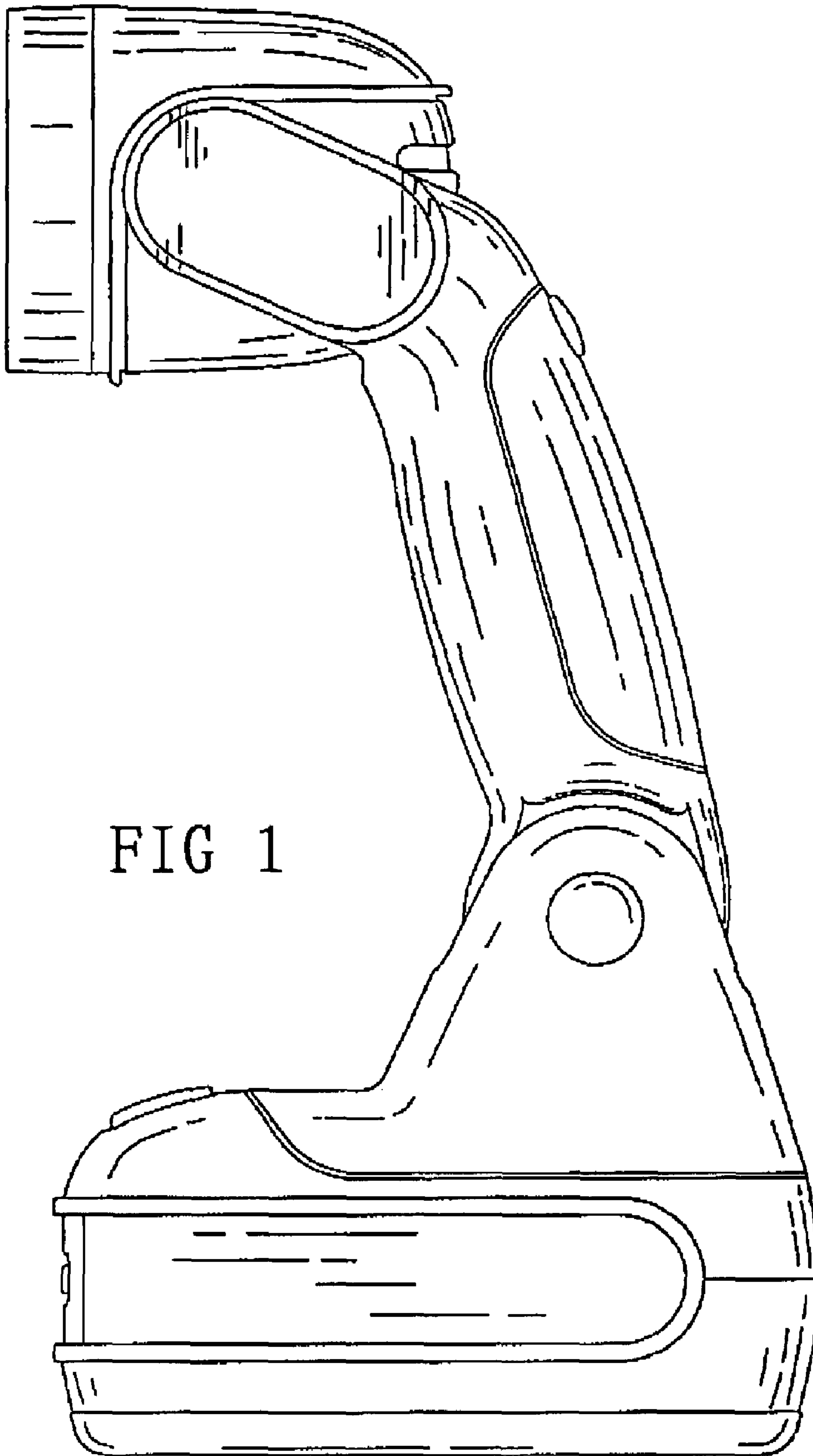


FIG 1

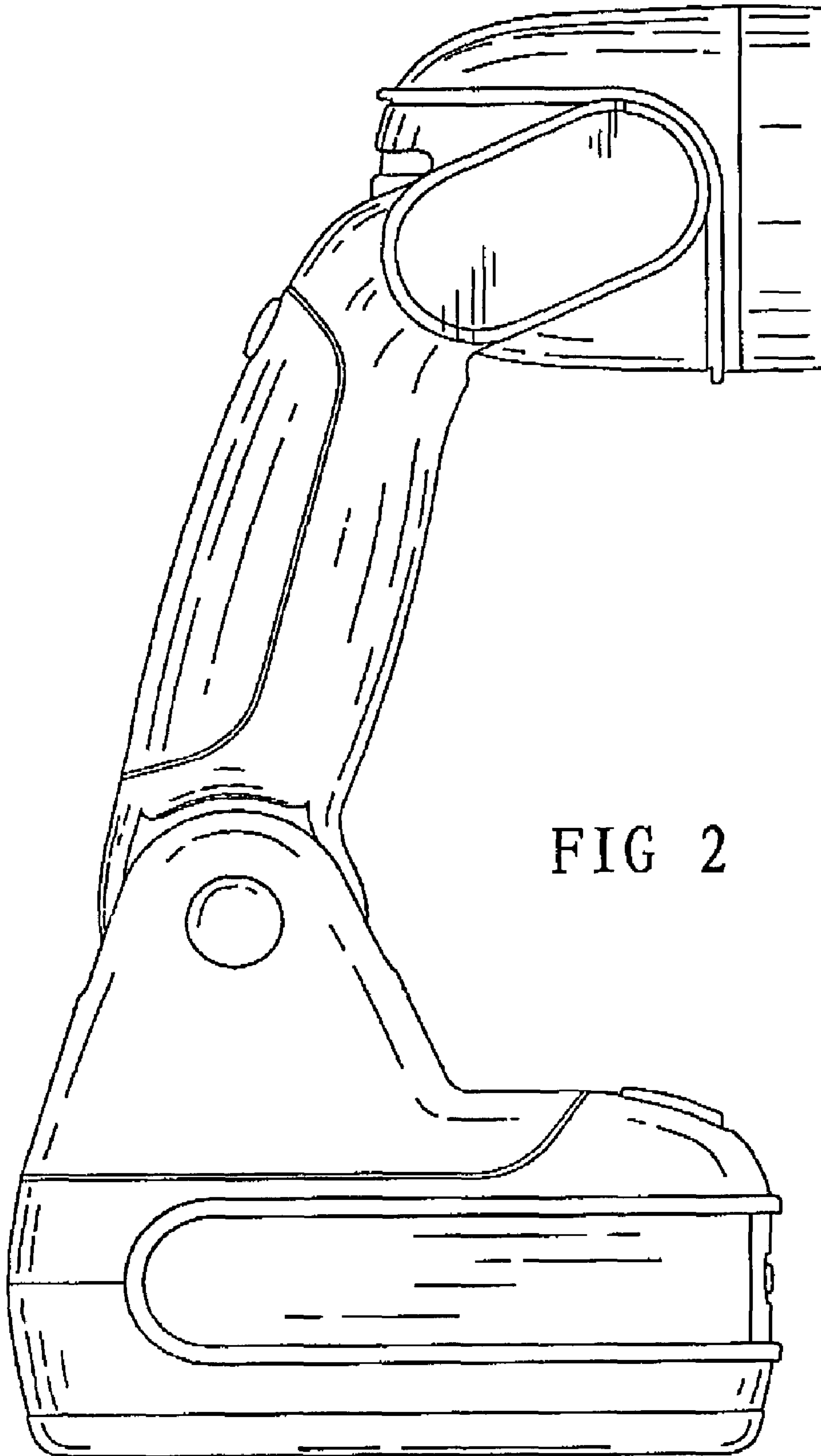


FIG 2

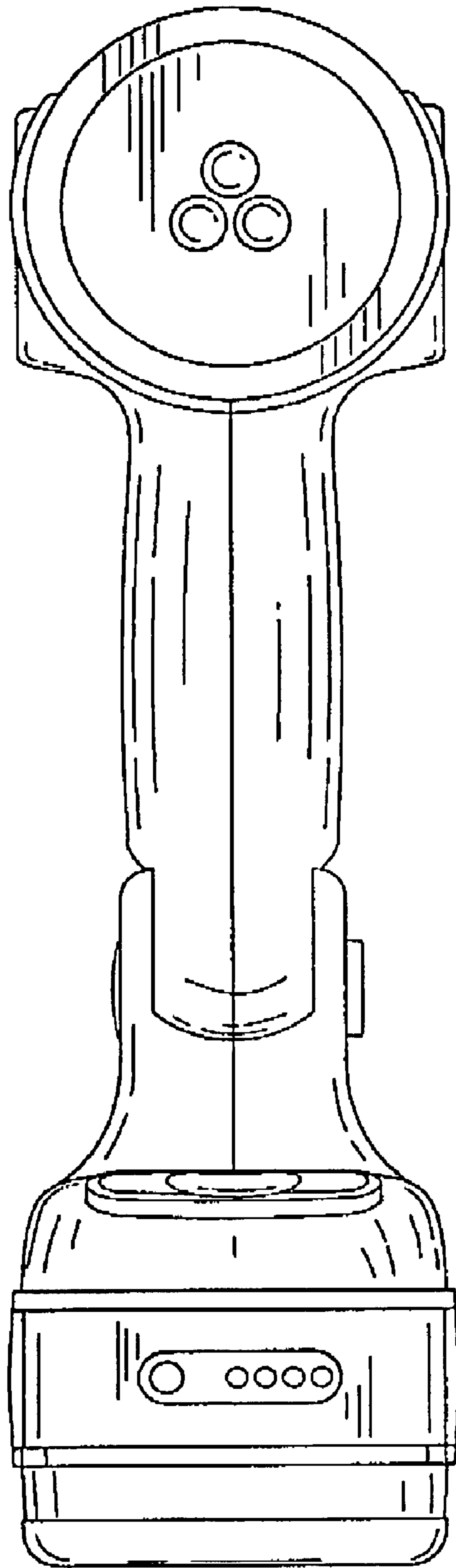


FIG 3

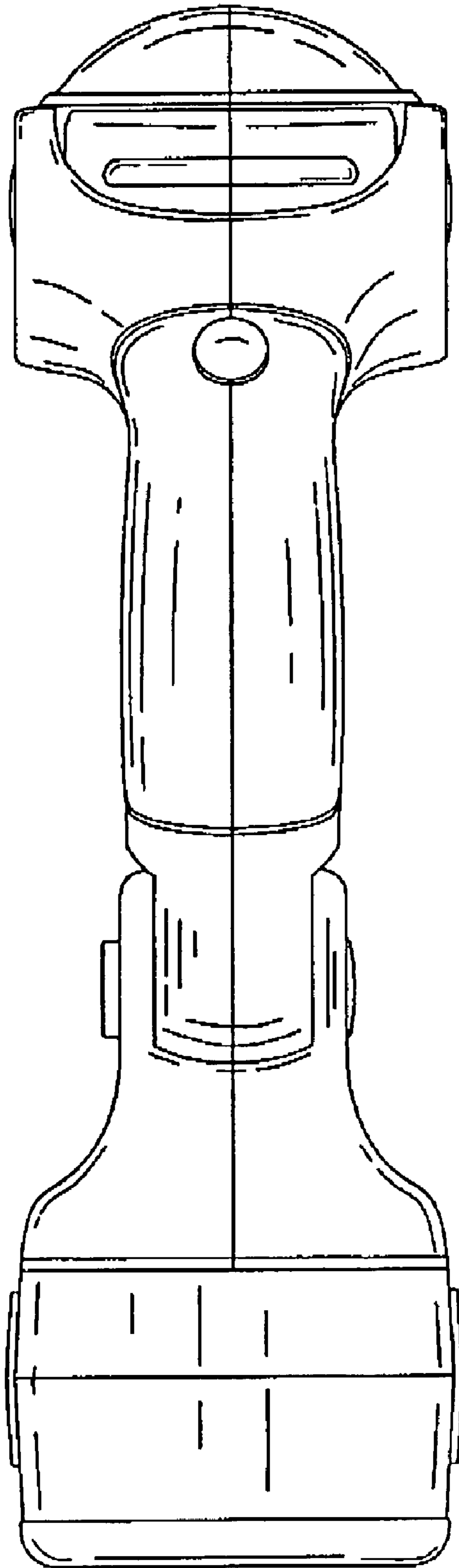


FIG 4

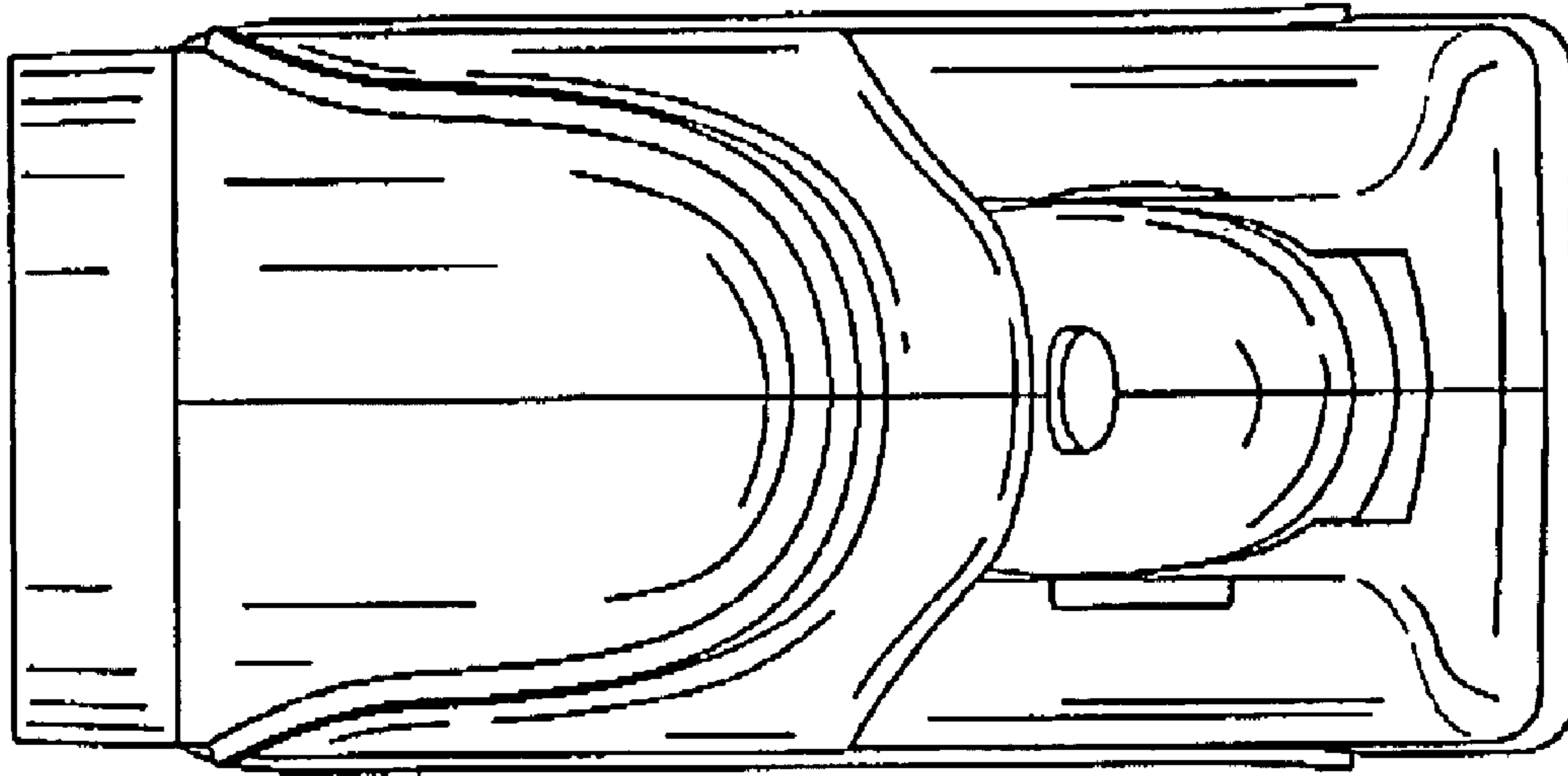


FIG 5

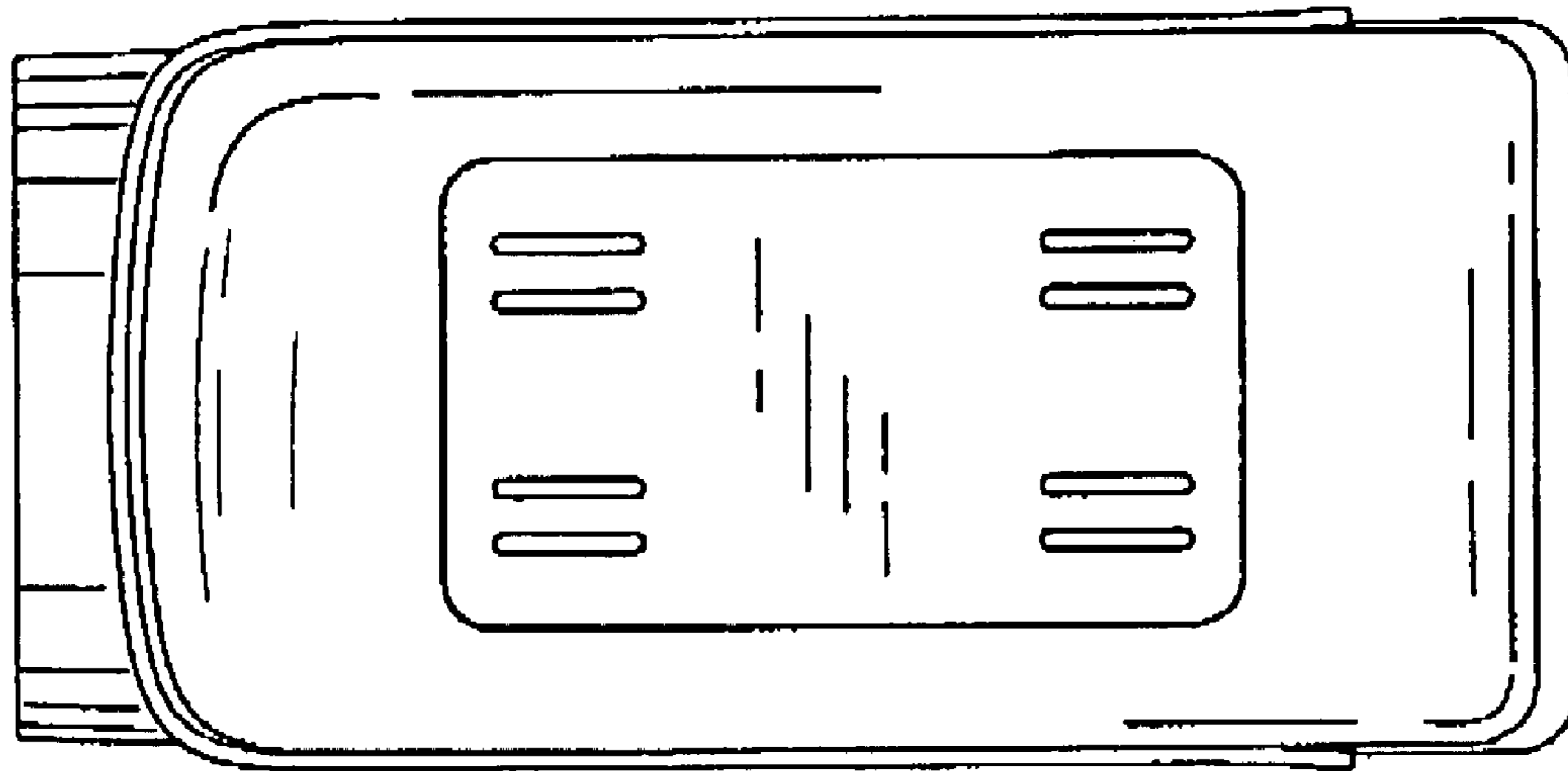


FIG 6

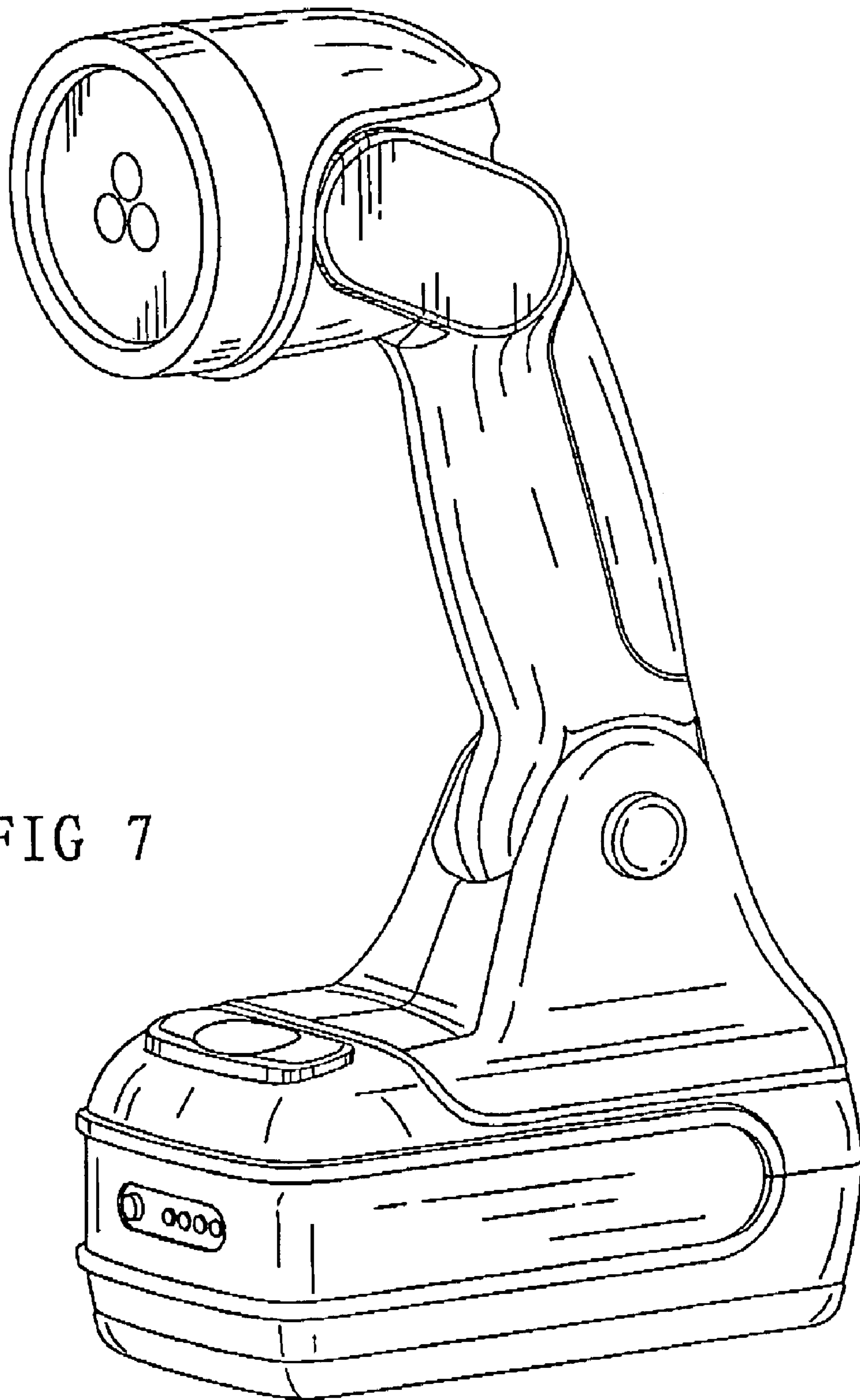


FIG 7