

US00D564113S

(12) **United States Design Patent**
Yuen

(10) **Patent No.:** **US D564,113 S**
(45) **Date of Patent:** **** Mar. 11, 2008**

(54) **RECHARGEABLE DYNAMO SPOTLIGHT**

Primary Examiner—Marcus A. Jackson
(74) *Attorney, Agent, or Firm*—Akerman Senterfitt

(76) **Inventor:** **Se Kit Yuen**, 6/F, Yau Lee Centre, 45
Hoi Yuen Road, Kwun Tong, Kowloon,
Hong Kong (HK)

(57) **CLAIM**

The ornamental design for a rechargeable dynamo spotlight,
as shown and described.

(**) **Term:** **14 Years**

(21) **Appl. No.:** **29/282,986**

(22) **Filed:** **Aug. 3, 2007**

DESCRIPTION

(51) **LOC (8) Cl.** **26-02**

(52) **U.S. Cl.** **D26/42**

(58) **Field of Classification Search** D26/37-50;
362/157, 158, 171-174, 183-208

See application file for complete search history.

FIG. 1 is a front view of the rechargeable dynamo spotlight;
FIG. 2 is a rear view thereof;
FIG. 3 is a side view thereof;
FIG. 4 is an other side view thereof;
FIG. 5 is a top view thereof;
FIG. 6 is a bottom view thereof;
FIG. 7 is a front, top and side perspective view thereof; and,
FIG. 8 is a rear, bottom and other side perspective view
thereof.

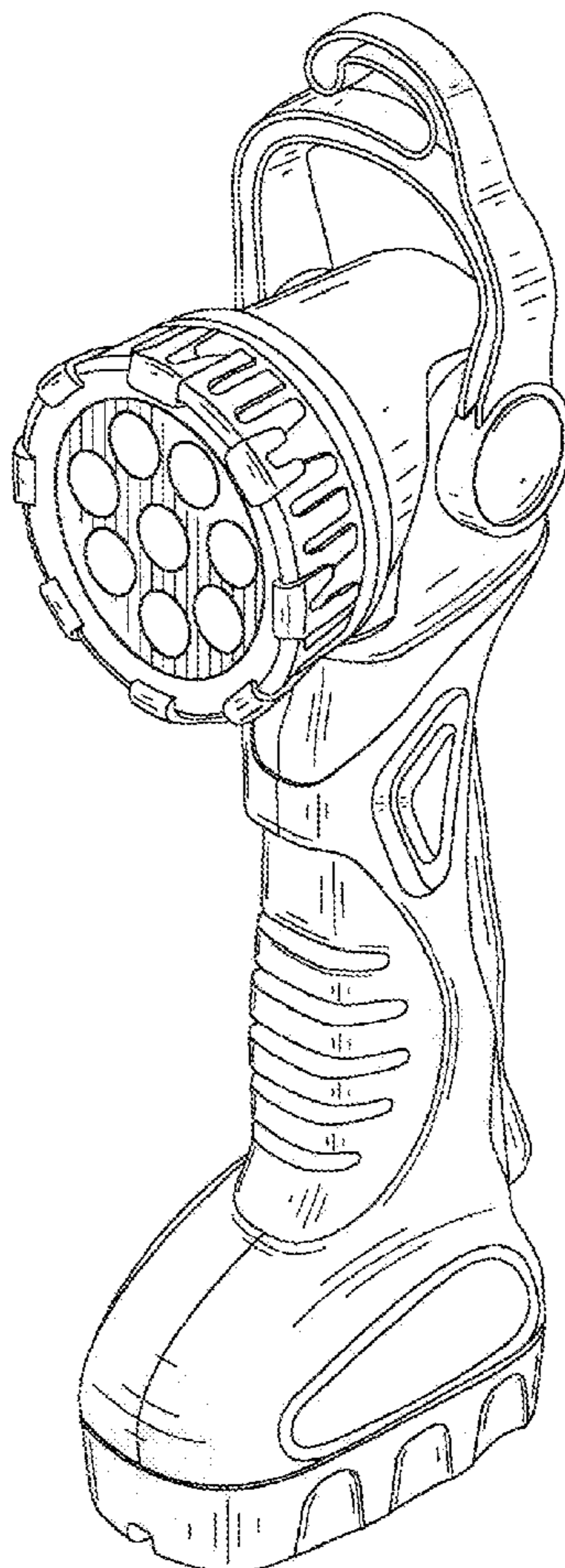
(56) **References Cited**

U.S. PATENT DOCUMENTS

D393,324 S *	4/1998	Howard et al.	D26/50
D427,697 S *	7/2000	Brazell et al.	D26/42
D523,161 S *	6/2006	Hussaini et al.	D26/42

* cited by examiner

1 Claim, 8 Drawing Sheets



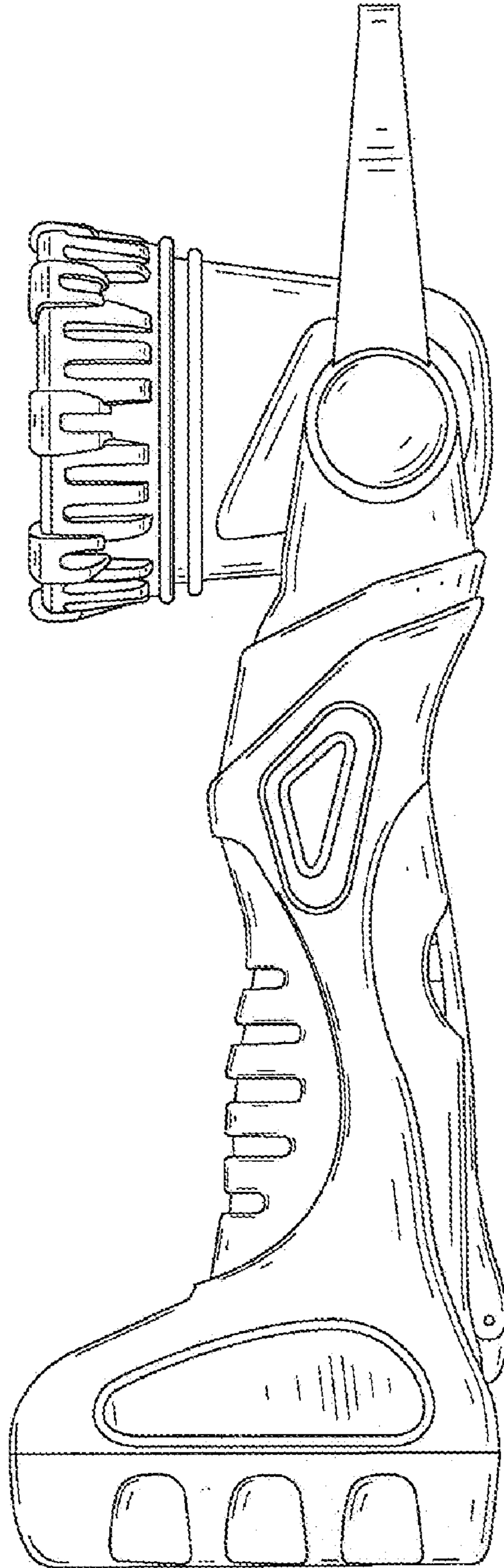


FIG. 1

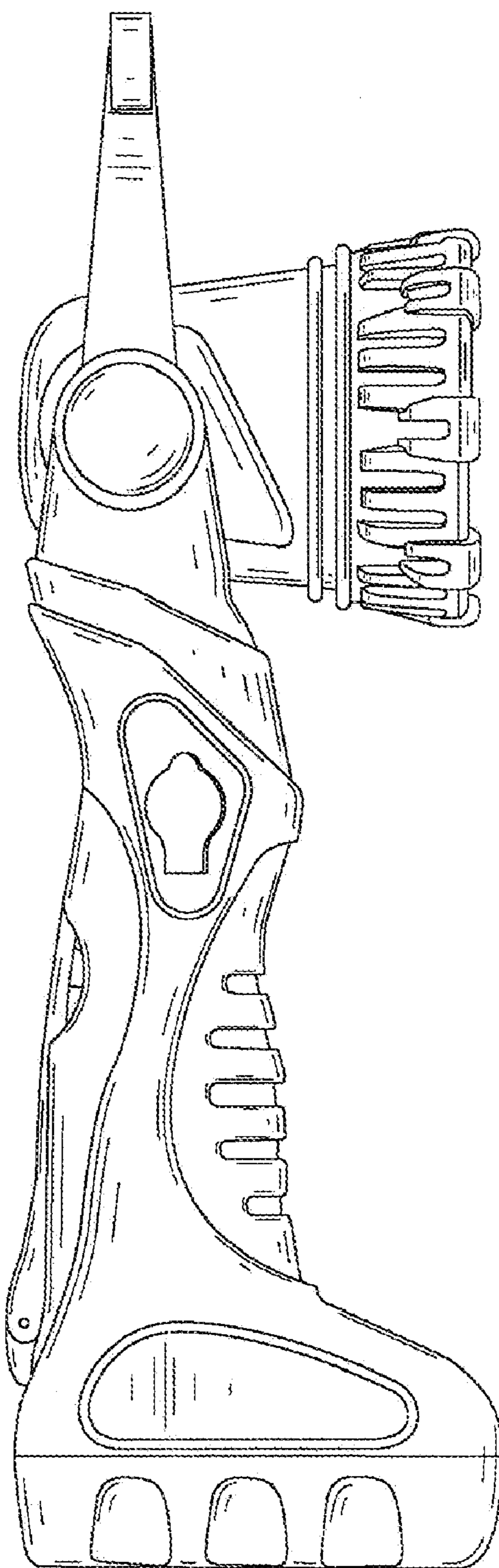


FIG. 2

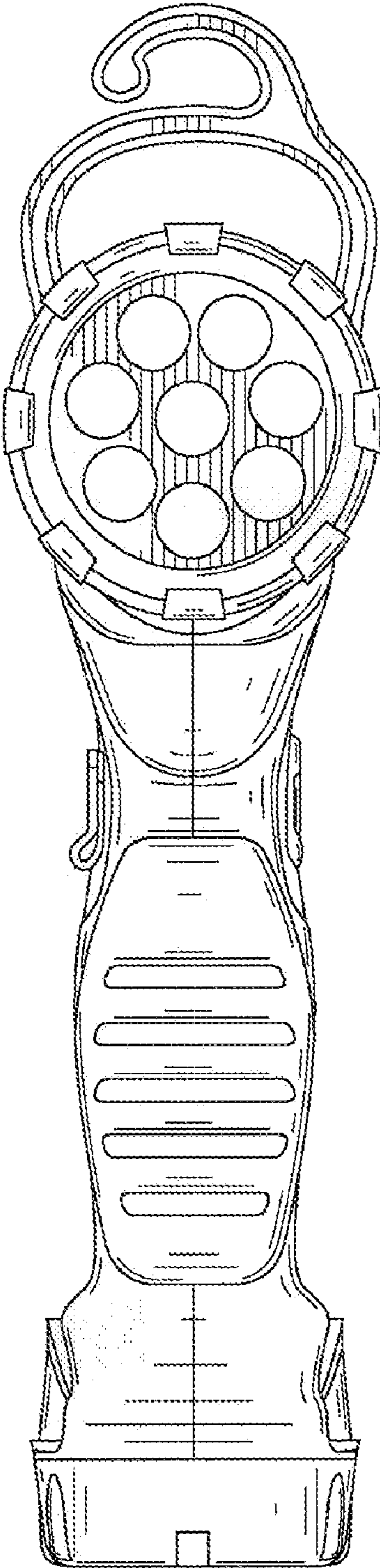


FIG. 3

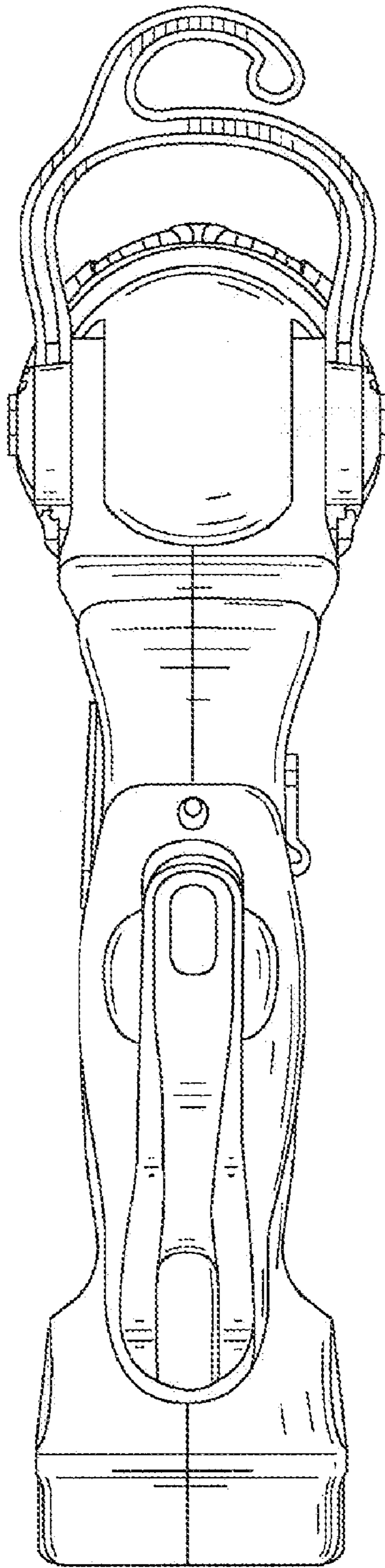


FIG. 4

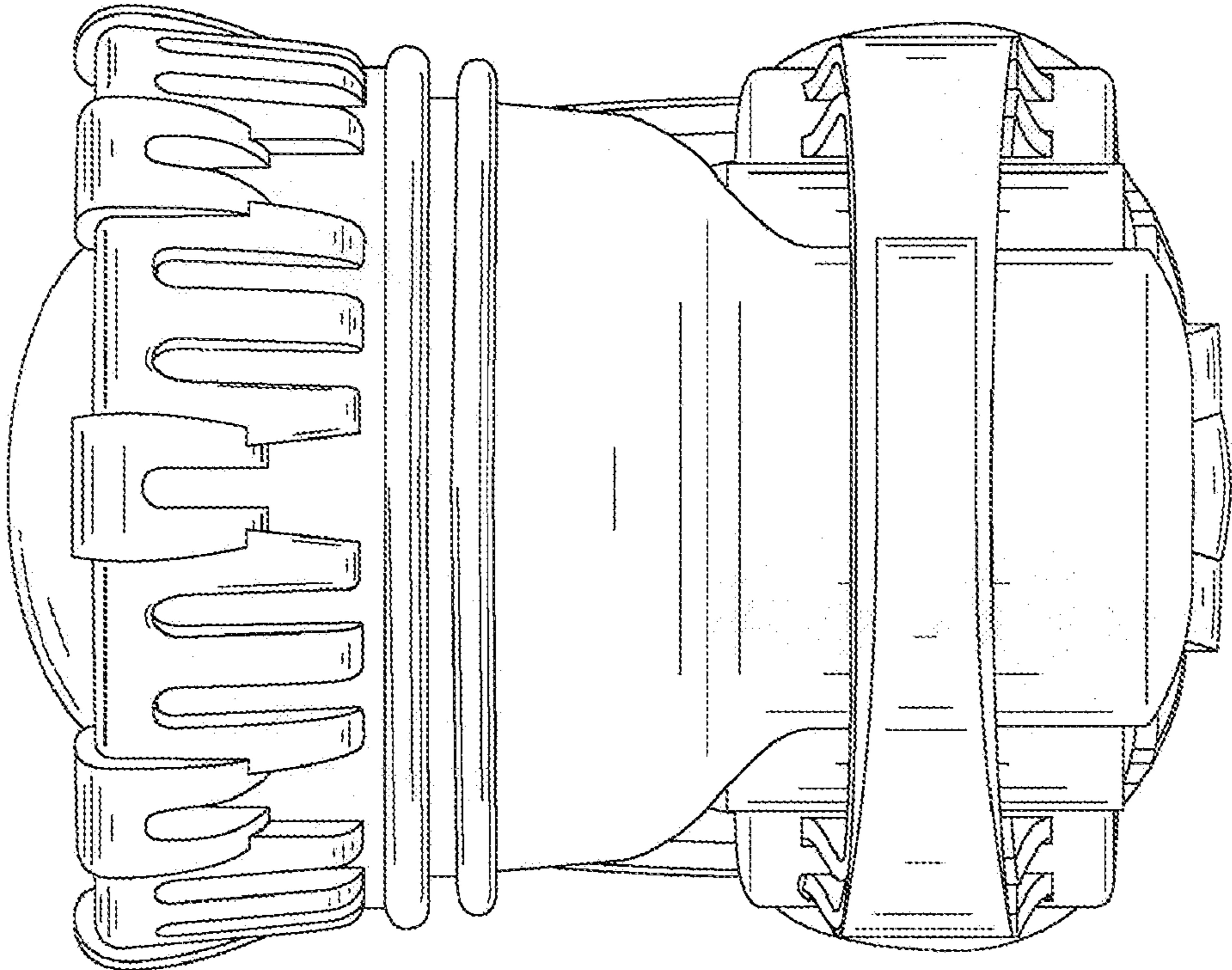


FIG. 5

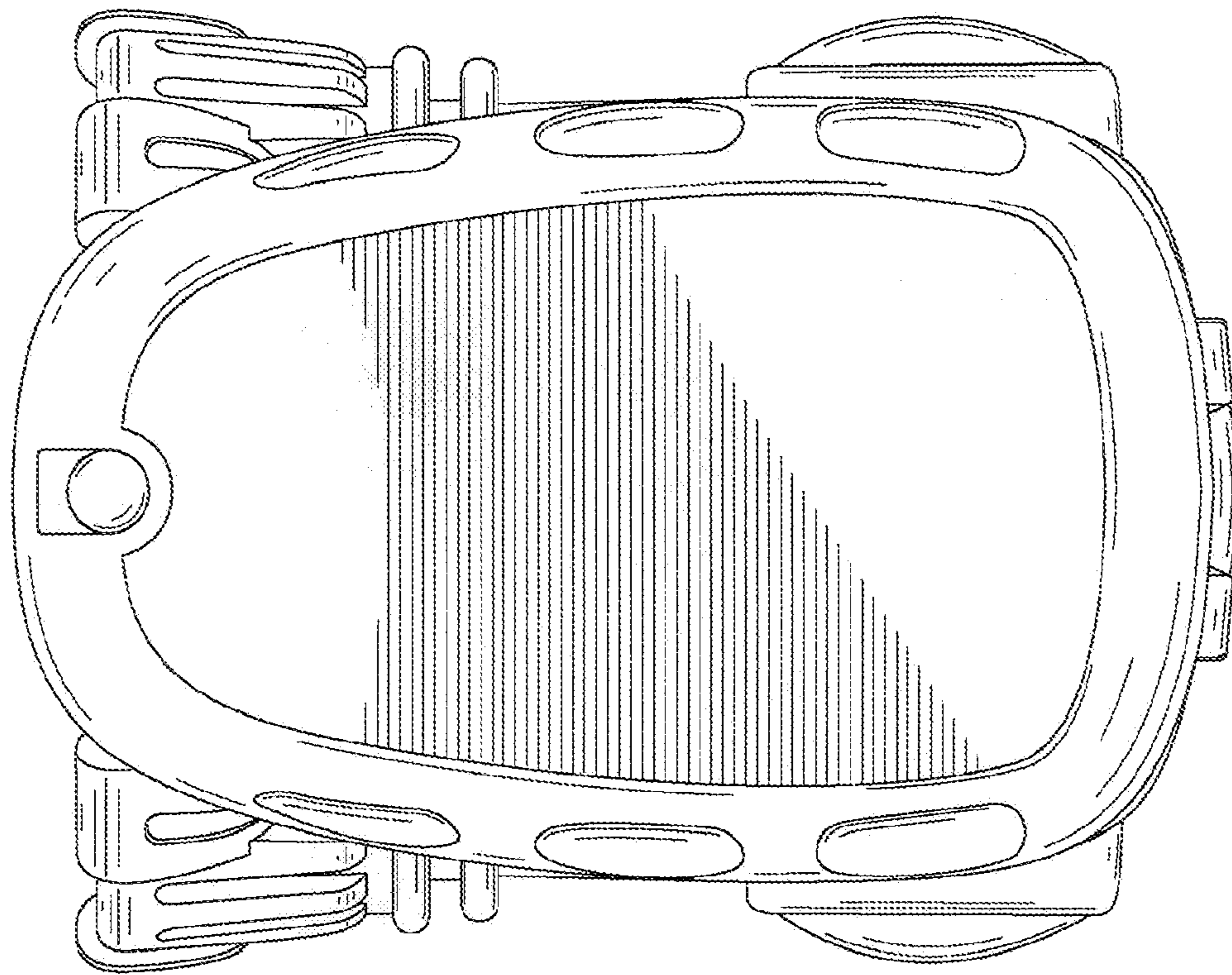


FIG. 6

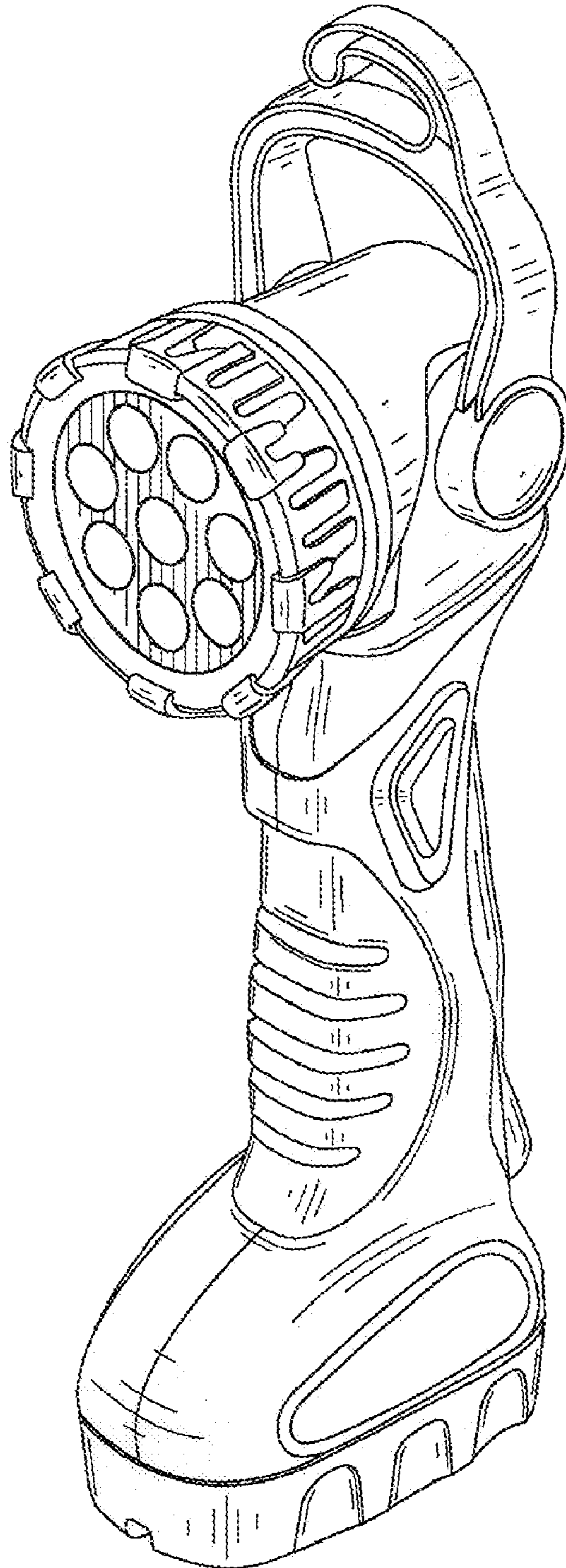


FIG. 7

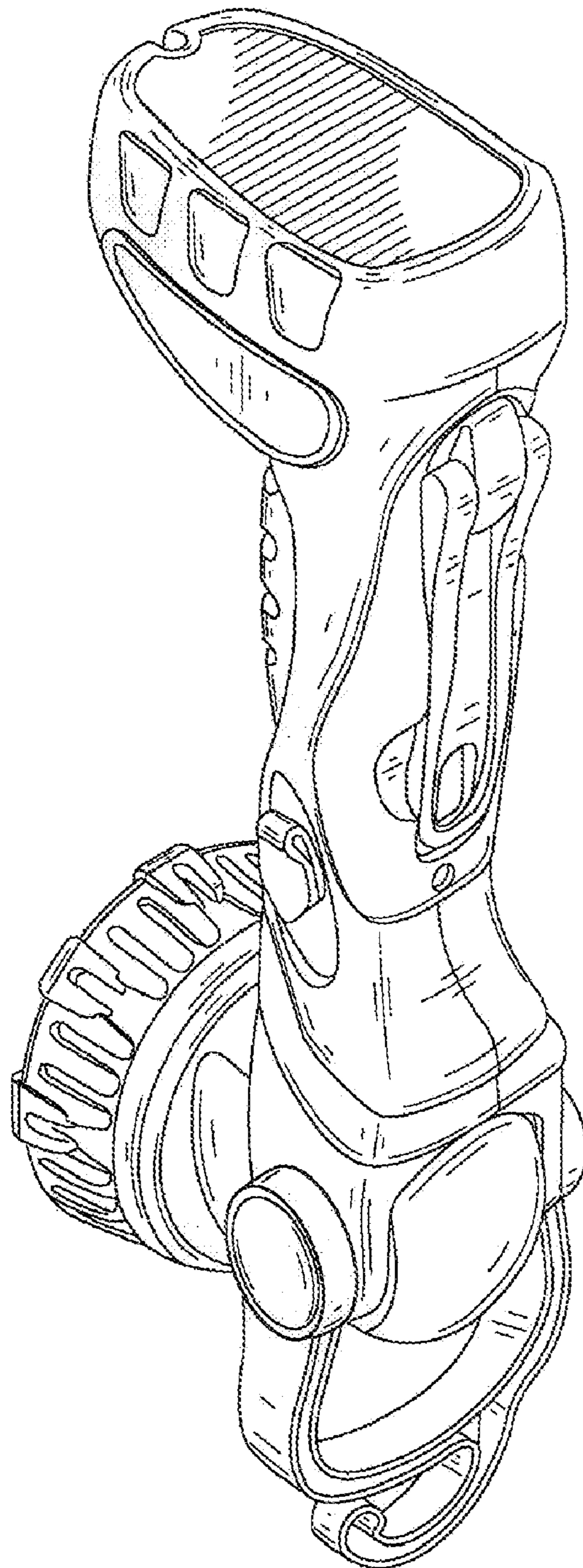


FIG. 8