

US00D564112S

(12) **United States Design Patent**
Jen

(10) **Patent No.:** **US D564,112 S**

(45) **Date of Patent:** **** Mar. 11, 2008**

(54) **CAMP LAMP**

D539,954 S * 4/2007 Yen D26/40
D544,617 S * 6/2007 Johnson D26/37

(76) Inventor: **Yen Yen Jen**, 235 Chung-Ho Box 8-24,
Taipei (TW)

* cited by examiner

(**) Term: **14 Years**

Primary Examiner—Marcus A. Jackson

(21) Appl. No.: **29/283,259**

(57) **CLAIM**

(22) Filed: **Aug. 9, 2007**

The ornamental design for a camp lamp, as shown and described.

(51) **LOC (8) Cl.** **26-02**

(52) **U.S. Cl.** **D26/40**

(58) **Field of Classification Search** D26/37–50,
D26/40; 362/157, 158, 171–174, 183–208
See application file for complete search history.

DESCRIPTION

FIG. 1 is a perspective view of a camp lamp showing my new design;

FIG. 2 is a front elevational view thereof;

FIG. 3 is a rear elevational view thereof;

FIG. 4 is a left side view thereof;

FIG. 5 is a right side view thereof;

FIG. 6 is a top plan view thereof; and,

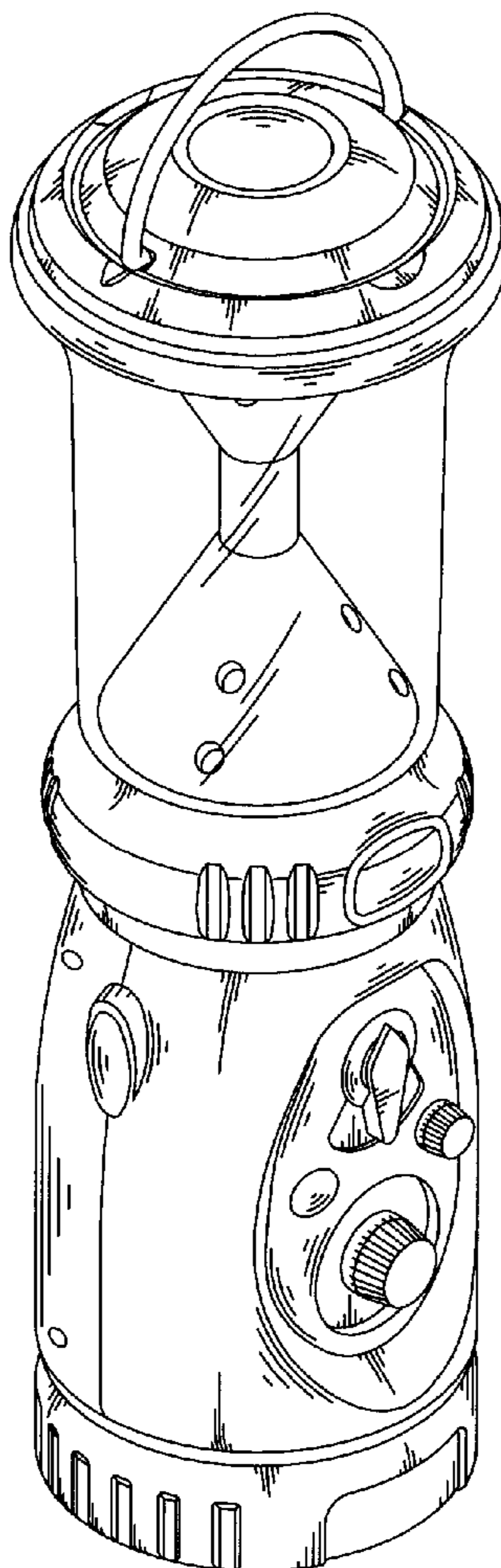
FIG. 7 is a bottom plan view thereof.

(56) **References Cited**

U.S. PATENT DOCUMENTS

D424,726 S * 5/2000 Petterson et al. D26/40
D468,039 S * 12/2002 Poon D26/40
D485,385 S * 1/2004 Lo D26/40
D486,598 S * 2/2004 Lo D26/40
D527,128 S * 8/2006 Lo et al. D26/40

1 Claim, 4 Drawing Sheets



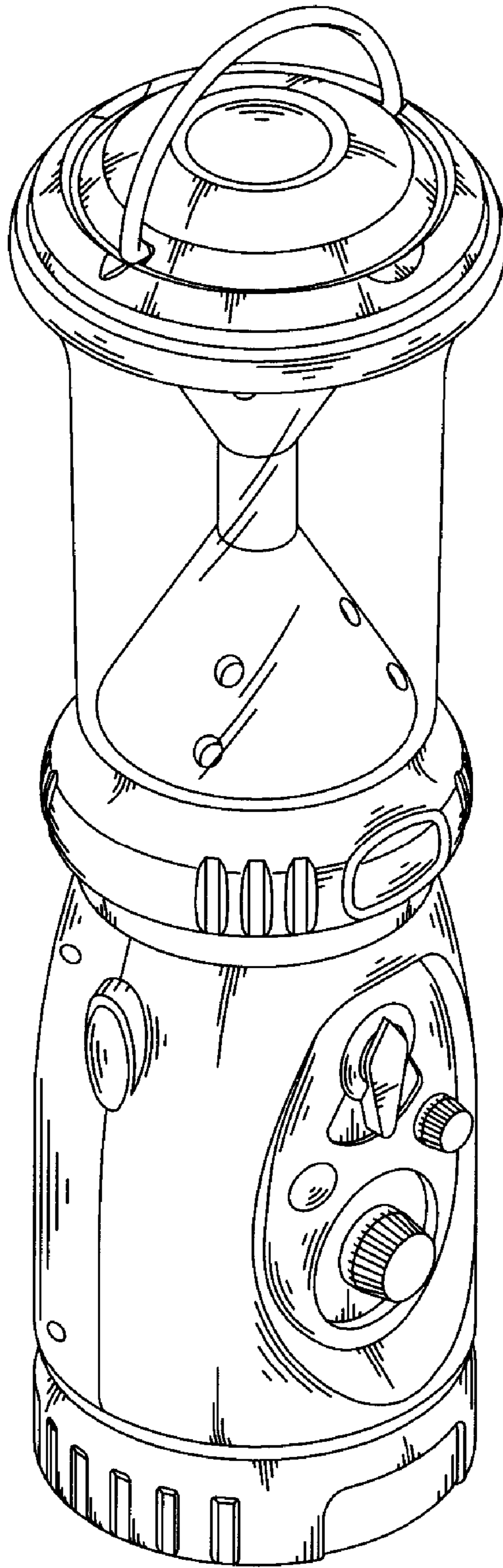


FIG. 1

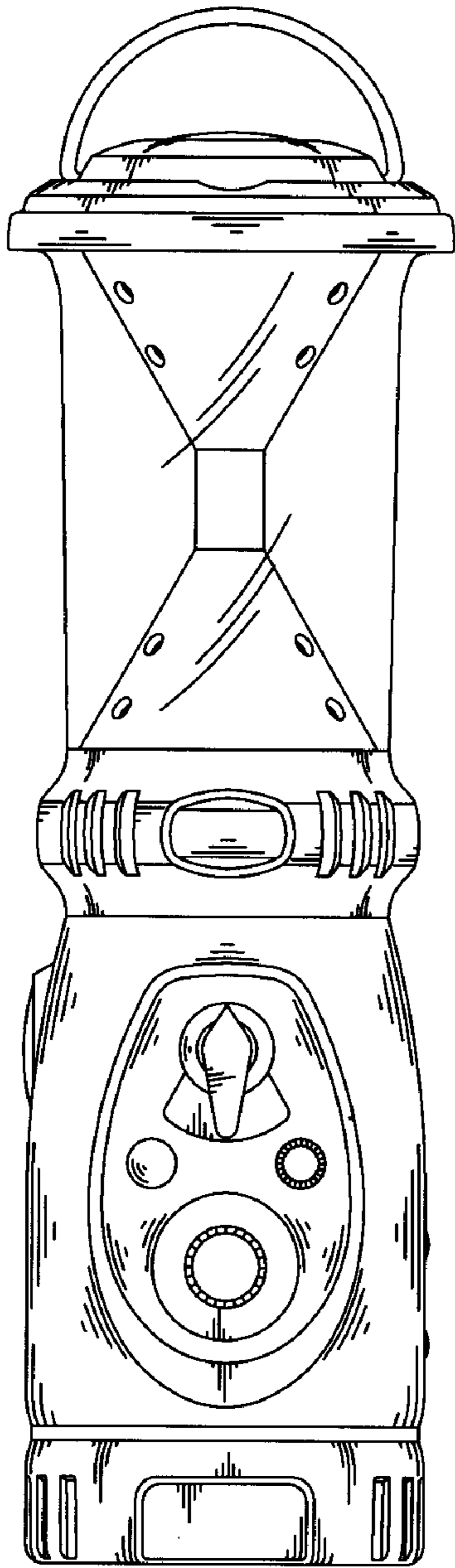


FIG. 2

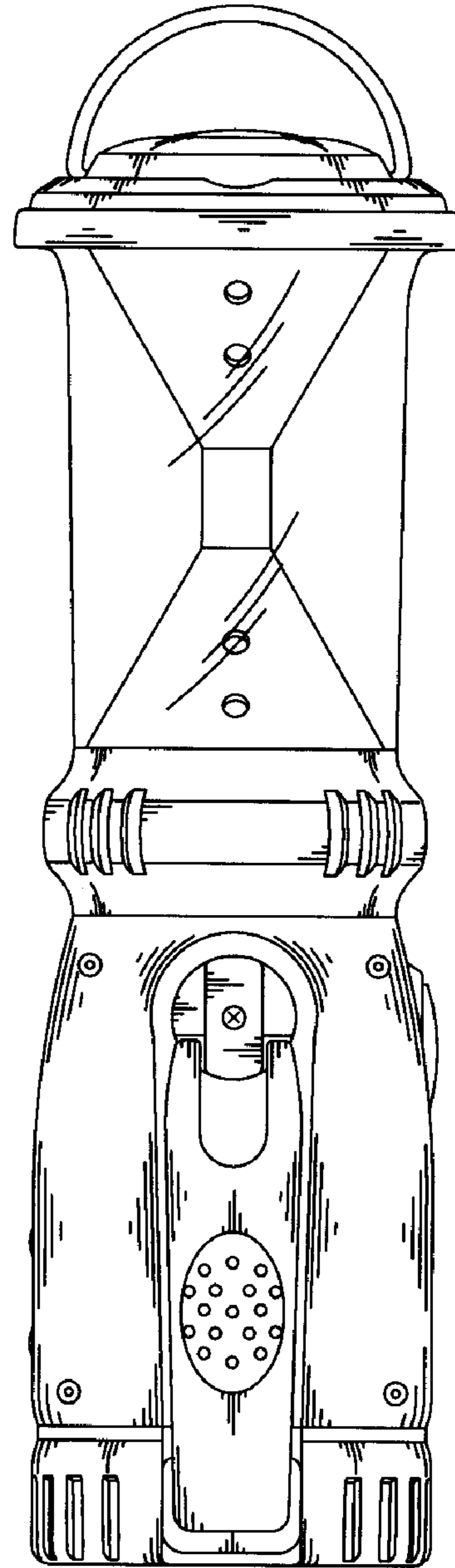


FIG. 3

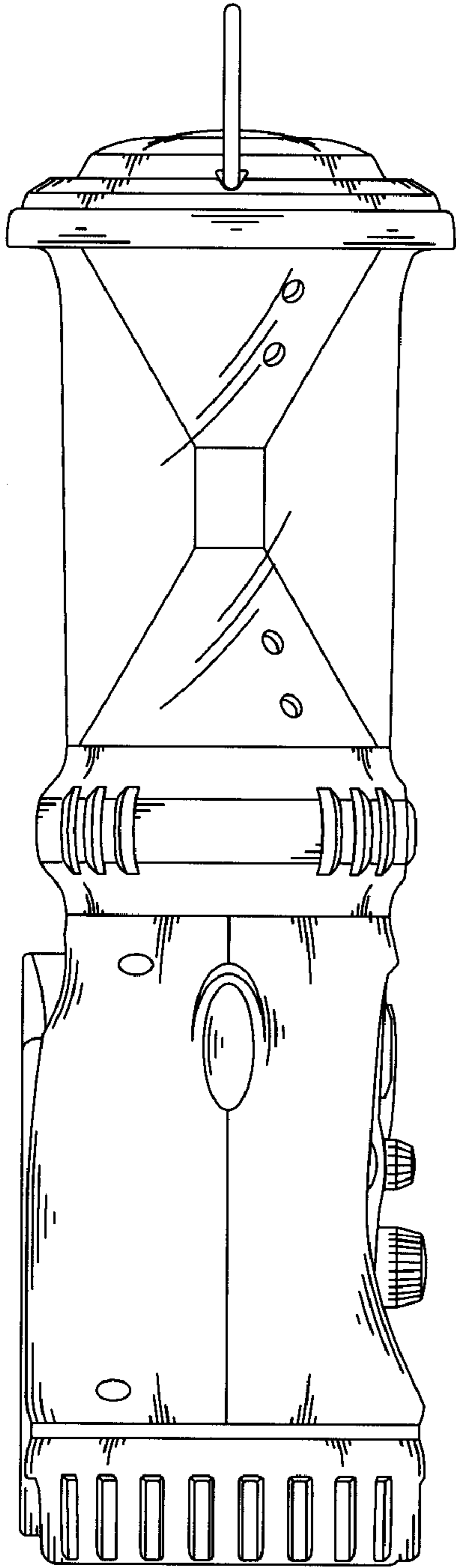


FIG. 4

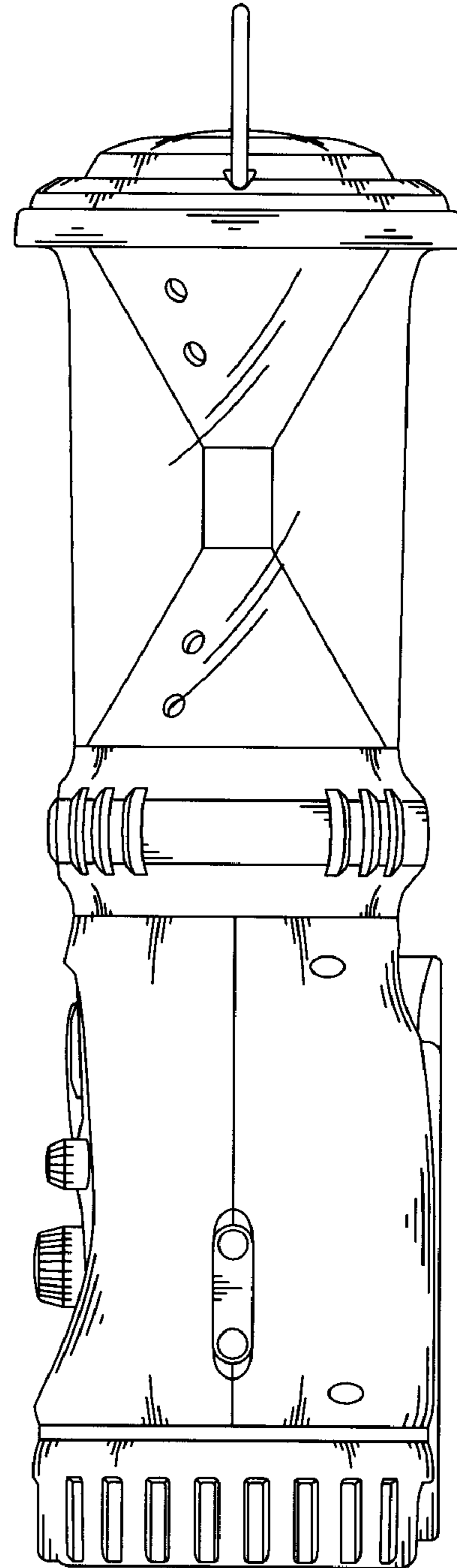


FIG. 5

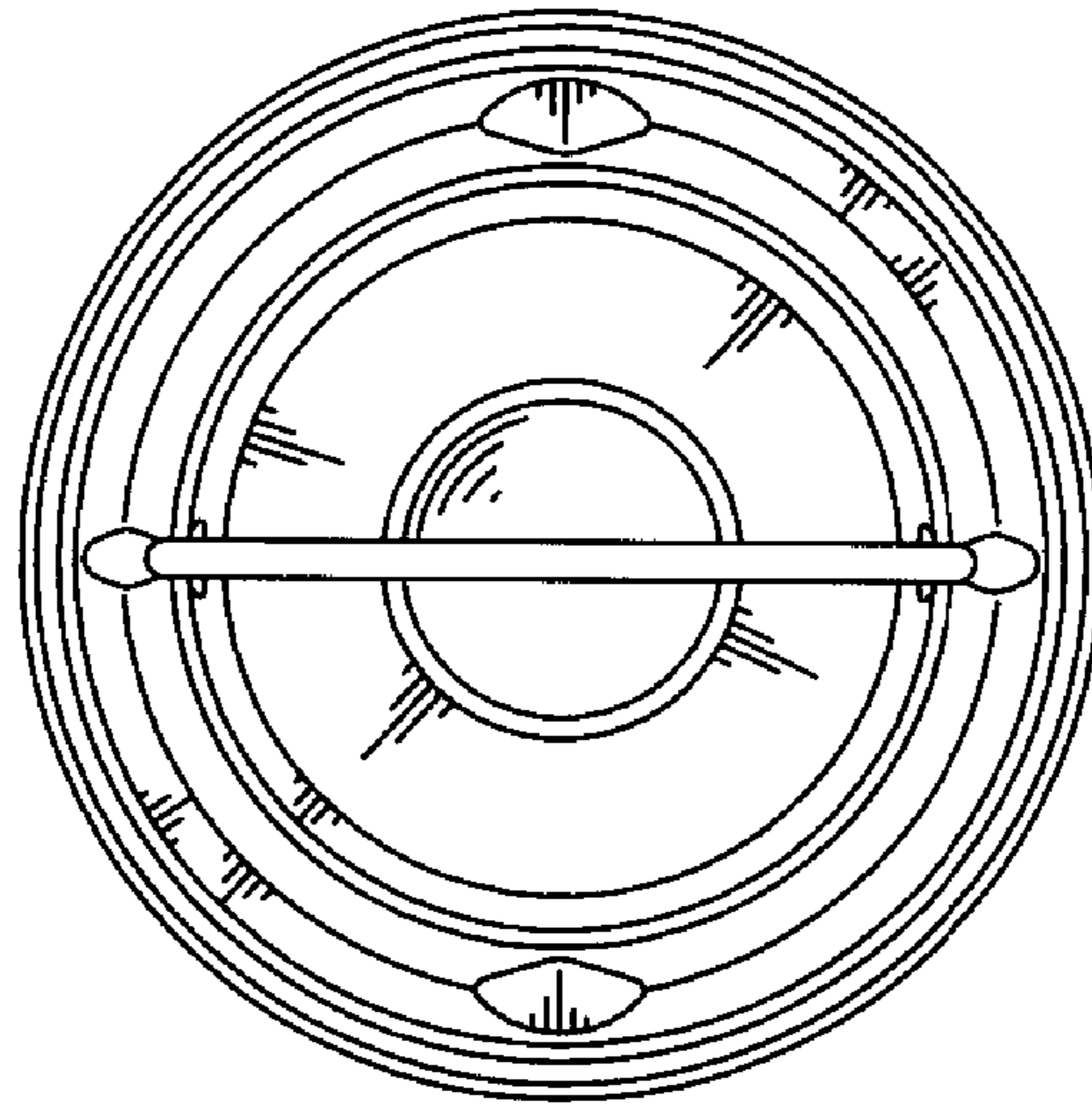


FIG. 6

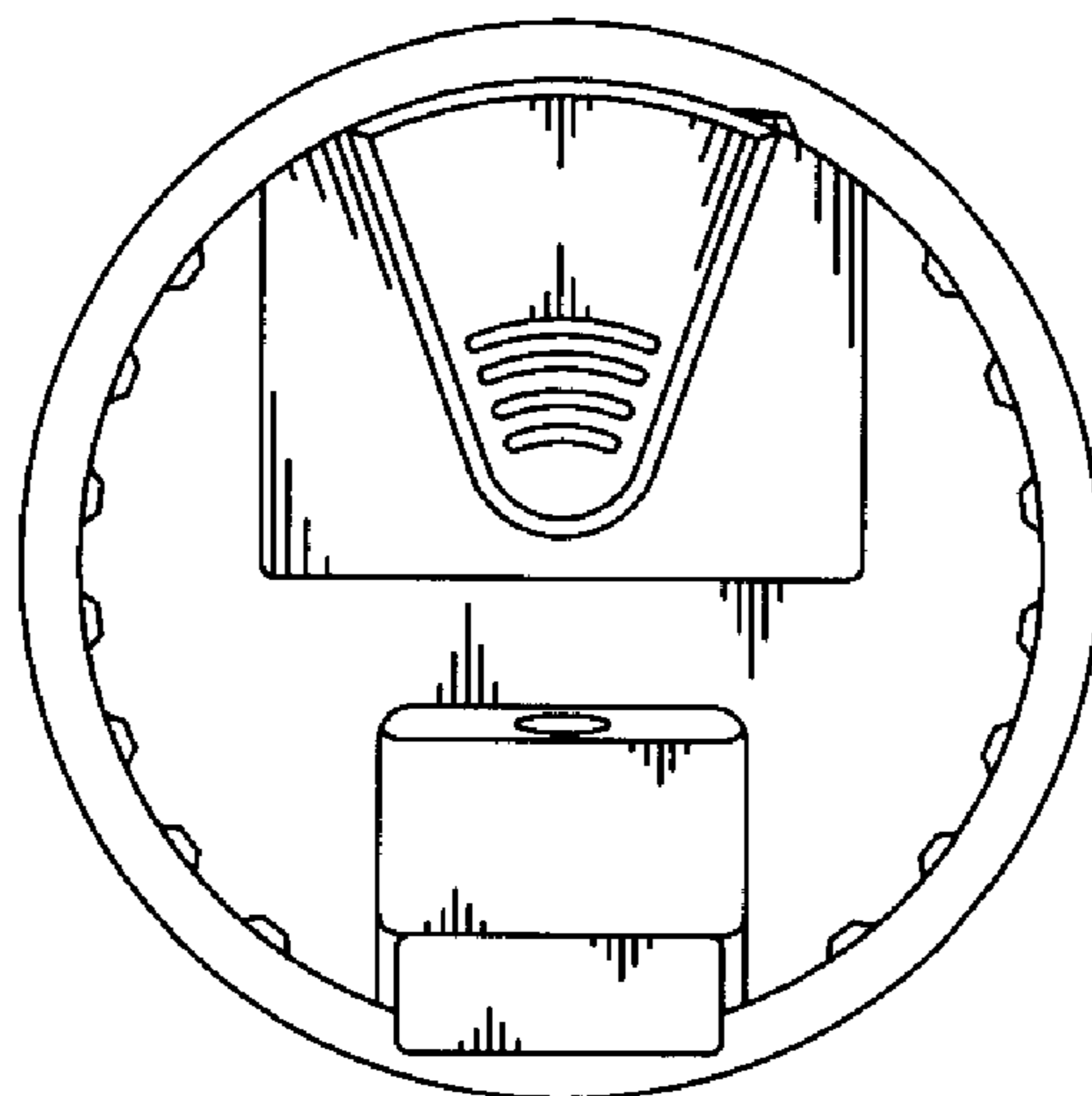


FIG. 7