



US00D564111S

(12) **United States Design Patent**
Hillard

(10) **Patent No.:** **US D564,111 S**

(45) **Date of Patent:** **** Mar. 11, 2008**

(54) **HEADLAMP**

D529,211 S * 9/2006 Lee D26/37

(Continued)

(75) Inventor: **Jake L. Hillard**, Wichita, KS (US)

OTHER PUBLICATIONS

(73) Assignee: **The Coleman Company, Inc.**, Wichita, KS (US)

www.botac.com web page, Energizer 3 LED Headlamp product description, printed Aug. 29, 2006, BotachTactical.com, Los Angeles, CA.

(**) Term: **14 Years**

(Continued)

(21) Appl. No.: **29/246,844**

Primary Examiner—Ian Simmons

Assistant Examiner—Carissa C Fitts

(22) Filed: **May 15, 2006**

(74) *Attorney, Agent, or Firm*—Leydig, Voit & Mayer, Ltd.

(51) **LOC (8) Cl.** **26-02**

(52) **U.S. Cl.** **D26/39**

(58) **Field of Classification Search** D26/37,
D26/38, 39, 51, 46; 362/103, 105, 106, 107,
362/108, 157, 158, 183, 184, 190, 191, 196,
362/197, 198, 208, 804

See application file for complete search history.

(57) **CLAIM**

The ornamental design for a headlamp, as shown and described.

DESCRIPTION

(56) **References Cited**

U.S. PATENT DOCUMENTS

D320,667	S *	10/1991	Smith	D26/39
5,161,879	A	11/1992	McDermott		
5,844,479	A	12/1998	Walton		
5,966,073	A	10/1999	Walton		
6,095,661	A	8/2000	Lebens et al.		
6,305,818	B1	10/2001	Lebens et al.		
6,367,949	B1	4/2002	Pederson		
6,488,390	B1	12/2002	Lebens et al.		
6,517,213	B1	2/2003	Fujita et al.		
6,712,481	B2	3/2004	Parker et al.		
6,749,312	B2	6/2004	Parker et al.		
6,755,562	B2	6/2004	Tachibana et al.		
6,783,269	B2	8/2004	Pashley et al.		
6,808,287	B2	10/2004	Lebens et al.		
6,819,056	B2	11/2004	Lin		
D500,377	S *	12/2004	Yamamoto et al.	D26/39
D503,817	S *	4/2005	Shiu	D26/39
6,886,964	B2	5/2005	Gardiner et al.		
6,911,917	B2	6/2005	Higgs		
D507,065	S *	7/2005	Son	D26/39
6,957,897	B1	10/2005	Nelson et al.		
6,957,907	B2	10/2005	Fischer et al.		

FIG. 1 is a side perspective of the first embodiment of my new headlamp;

FIG. 2 is a front elevation view thereof;

FIG. 3 is a rear elevation view thereof;

FIG. 4 is a left side elevation view thereof;

FIG. 5 is a right side elevation view thereof;

FIG. 6 is a top plan view thereof;

FIG. 7 is a bottom plan view thereof;

FIG. 8 is a side perspective of the second embodiment of my new headlamp;

FIG. 9 is a front elevation view thereof;

FIG. 10 is a rear elevation view thereof;

FIG. 11 is a left side elevation view thereof;

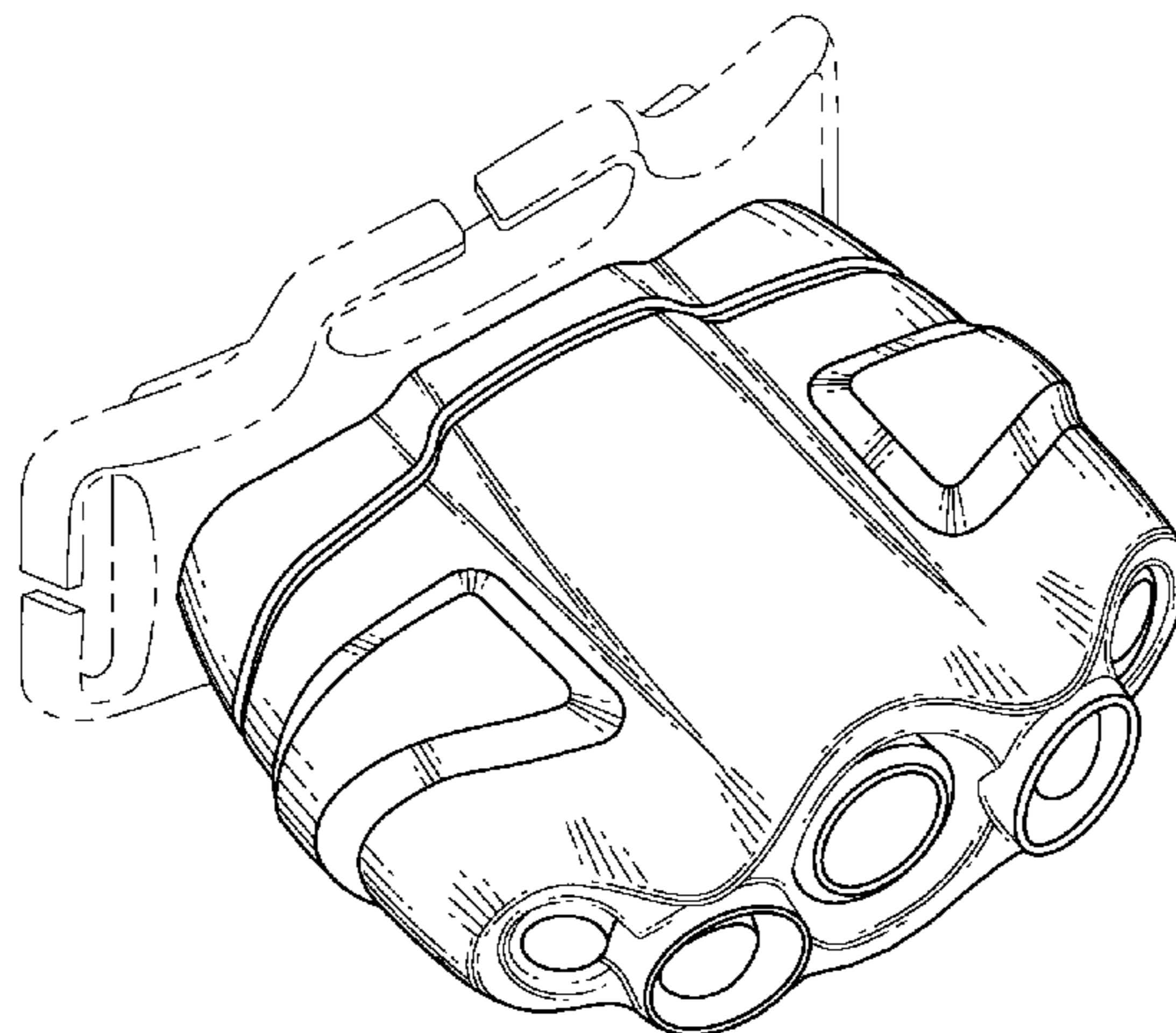
FIG. 12 is a right side elevation view thereof;

FIG. 13 is a top plan view thereof; and,

FIG. 14 is a bottom plan view thereof.

The broken line showing is for illustrative purposes only and forms no part of the claimed design.

1 Claim, 8 Drawing Sheets



U.S. PATENT DOCUMENTS

D531,335 S * 10/2006 Garrity D26/39
 D541,452 S * 4/2007 Schnell D26/39
 D544,121 S * 6/2007 Yang D26/39
 2002/0021573 A1 2/2002 Zhang
 2002/0051364 A1 5/2002 Ishikawa
 2002/0080623 A1 6/2002 Pashley et al.
 2002/0093820 A1 7/2002 Pederson
 2002/0141174 A1 10/2002 Parker et al.
 2002/0154513 A1 10/2002 Yagi et al.
 2002/0159270 A1 10/2002 Lynam et al.
 2003/0081431 A1 5/2003 Brunfeld
 2003/0095406 A1 5/2003 Lebens et al.
 2003/0123245 A1 7/2003 Parker et al.
 2003/0123247 A1 7/2003 Parker et al.
 2003/0169601 A1 9/2003 Tachibana et al.
 2003/0193816 A1 10/2003 Rahn
 2003/0202338 A1 10/2003 Parker
 2004/0012946 A1 1/2004 Parker et al.
 2004/0021580 A1 2/2004 Higgs
 2004/0056779 A1 3/2004 Rast
 2004/0080927 A1 4/2004 Parker et al.

2004/0114384 A1 6/2004 Carter et al.
 2004/0150994 A1 8/2004 Kazar et al.
 2004/0223342 A1 11/2004 Klipstein et al.
 2004/0228115 A1 11/2004 Jacobson et al.
 2004/0240219 A1 12/2004 Oishi et al.
 2005/0018448 A1 1/2005 Pashley et al.
 2005/0030740 A1 2/2005 Kukmthampinij et al.
 2005/0094411 A1 5/2005 Ishida et al.
 2005/0128751 A1 6/2005 Roberge et al.
 2005/0243570 A1 11/2005 Chaves et al.
 2005/0259423 A1 11/2005 Heuser et al.

OTHER PUBLICATIONS

www.brinkmann.net web page, L.E.D. Headlamp product description, printed Aug. 29, 2006, Brinkmann.net, Dallas, TX.
 www.peak62.com web page, Black Diamond Ion LED Headlamp product description, printed Aug. 29, 2006, peak62.com, Liberty Lake, WA.
 www.coolflashlights.com web page, LED Headlamps product descriptions, printed Aug. 29, 2006, CoolFlashlights.com, Crofton, MD.

* cited by examiner

FIG. 1

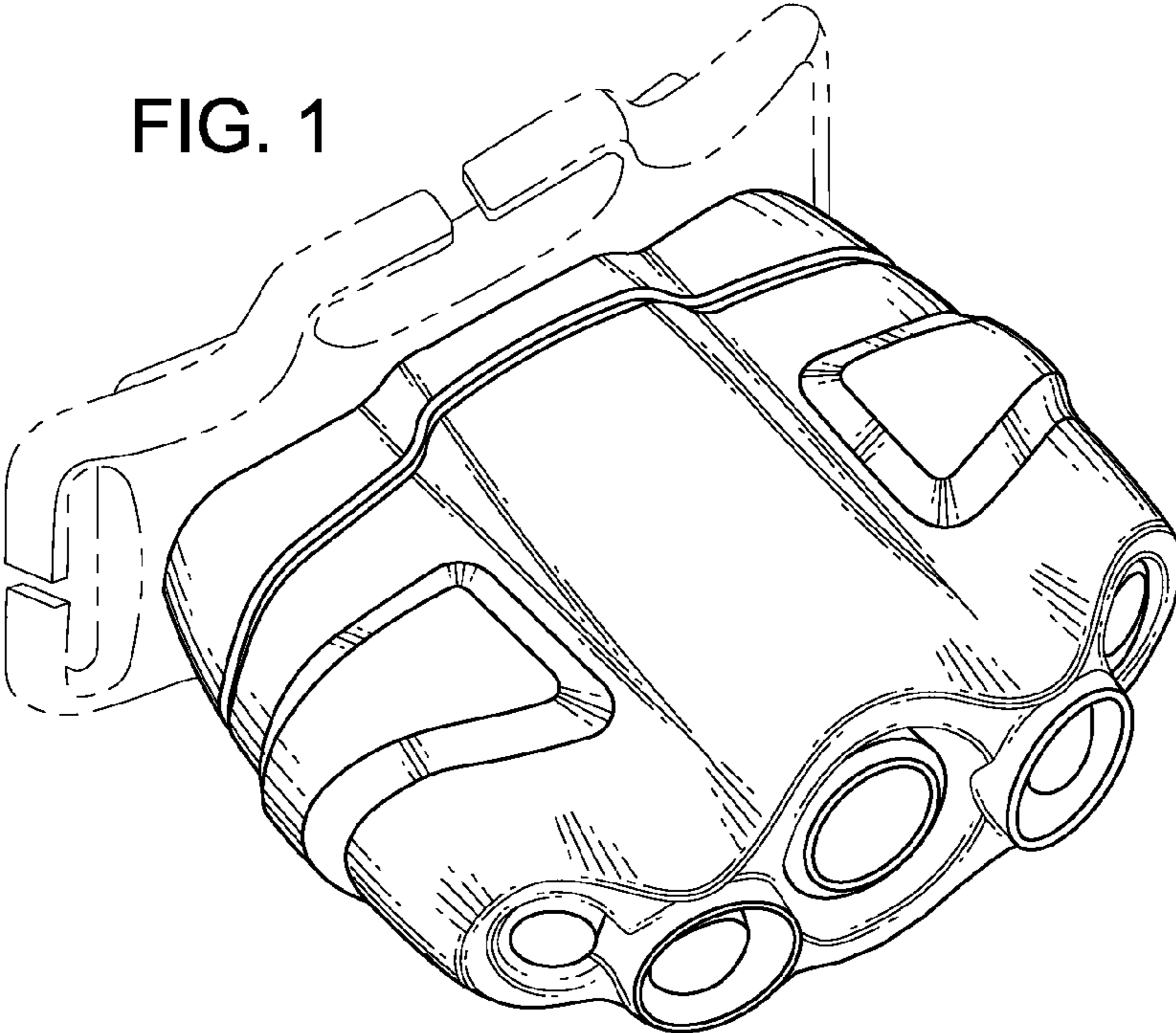


FIG. 2

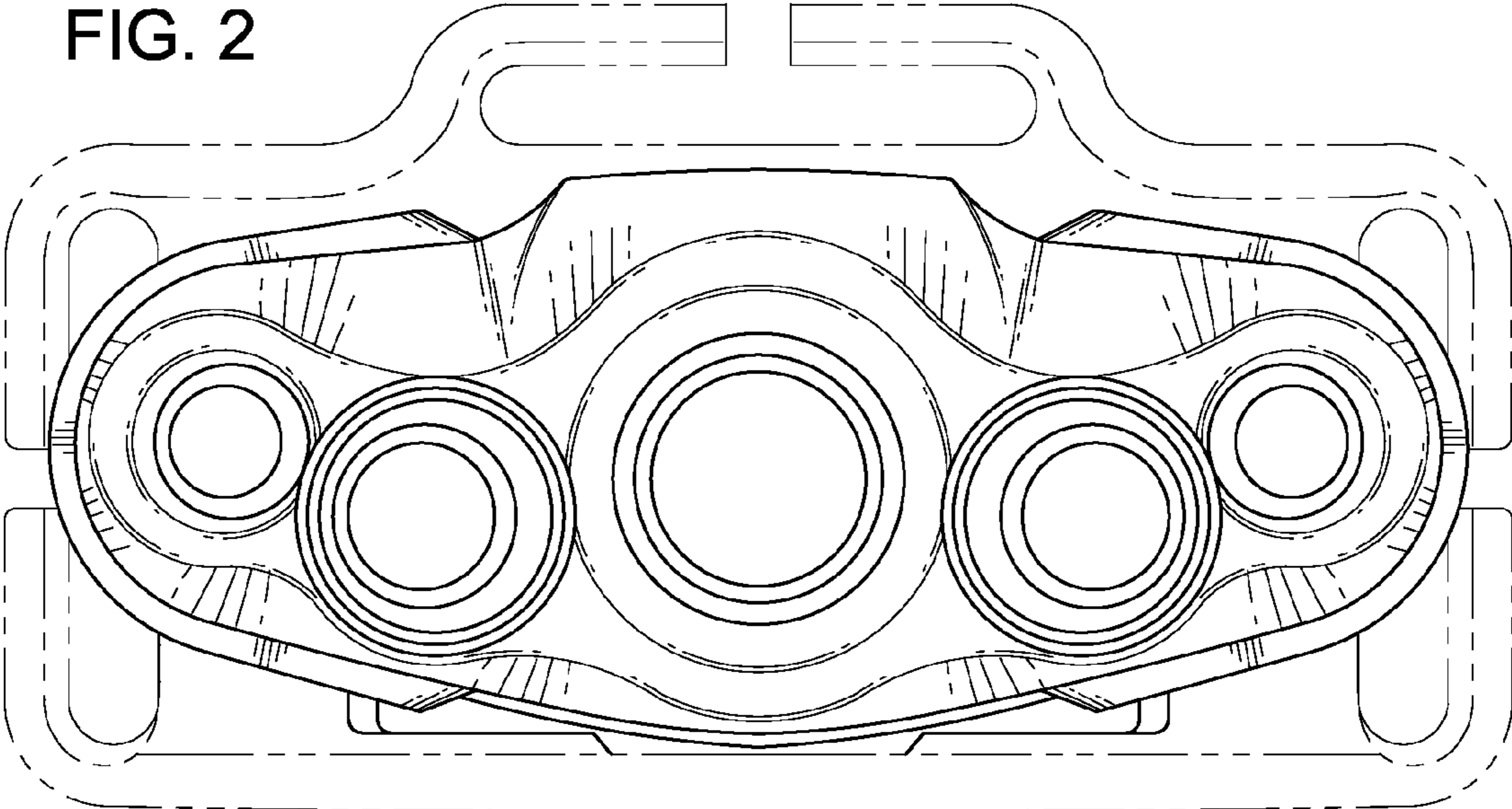


FIG. 3

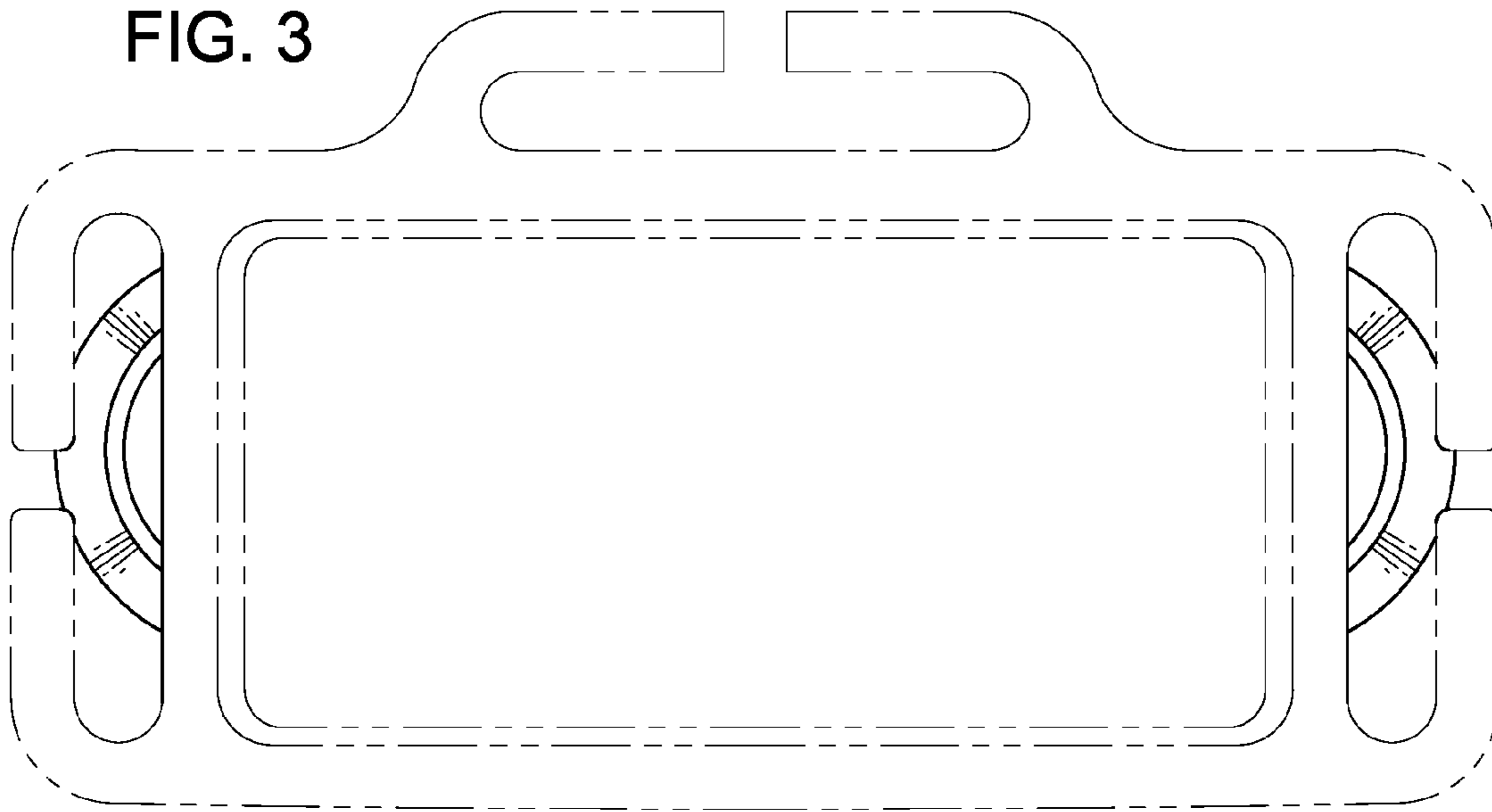


FIG. 4

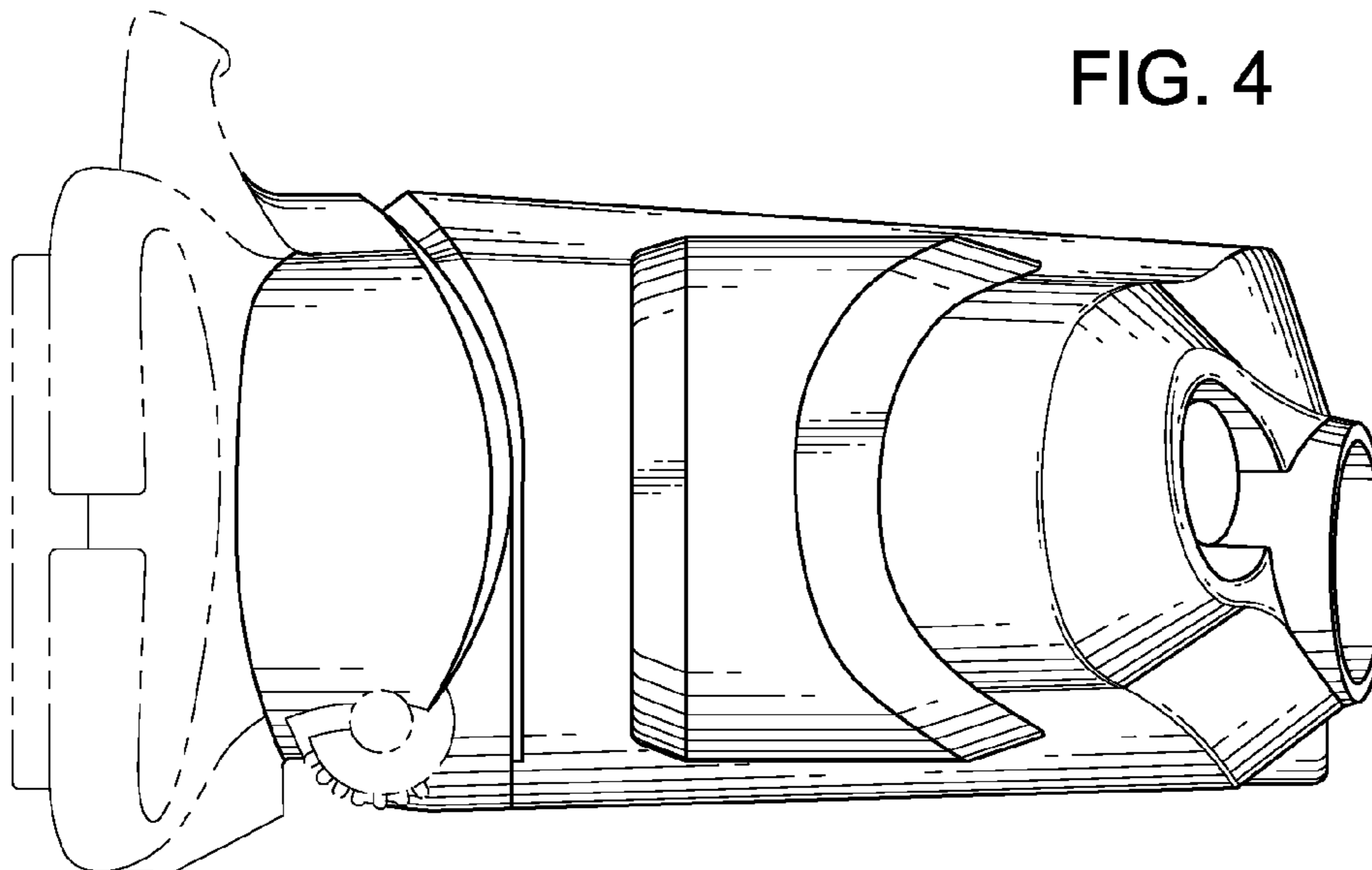


FIG. 5

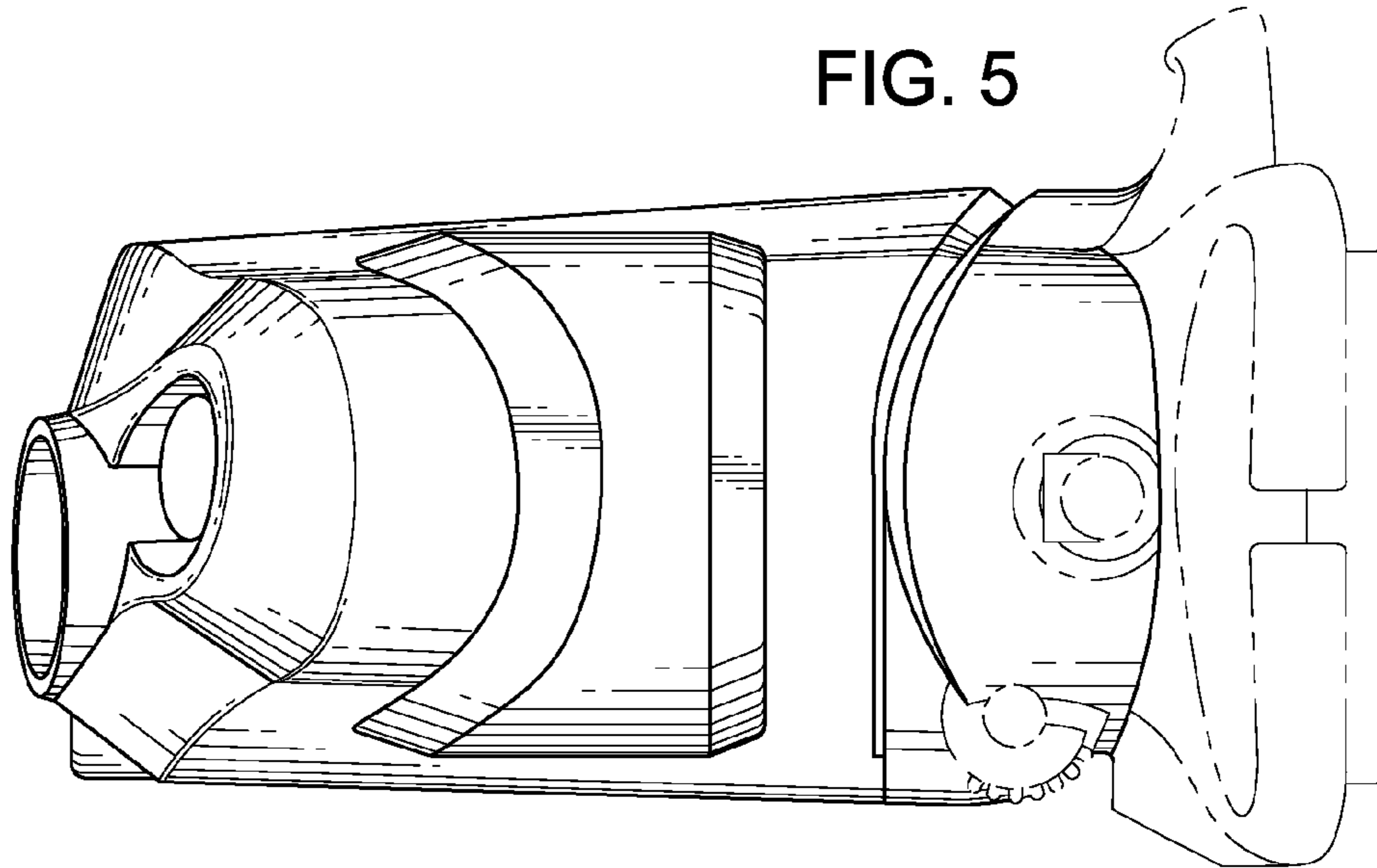


FIG. 6

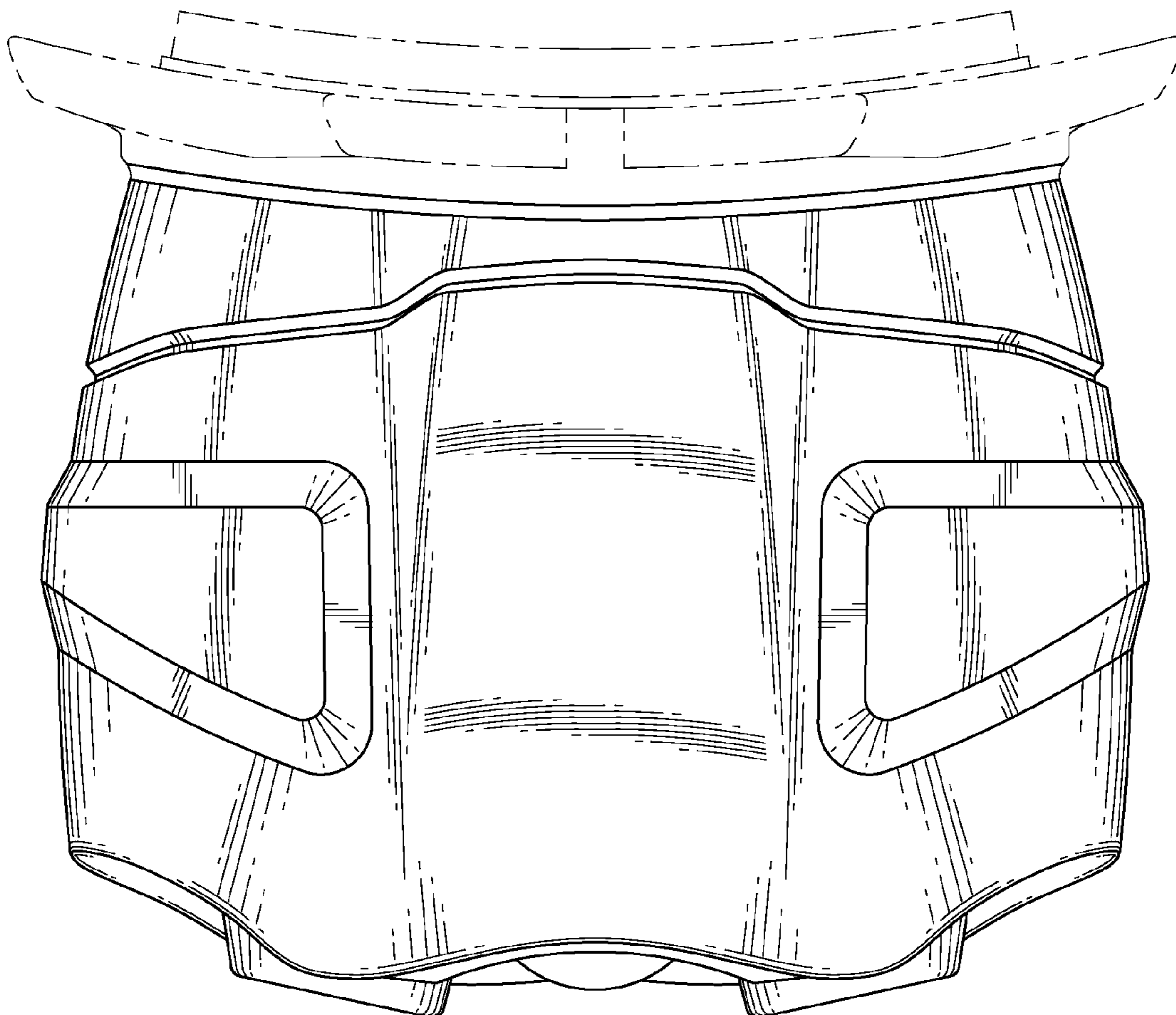


FIG. 7

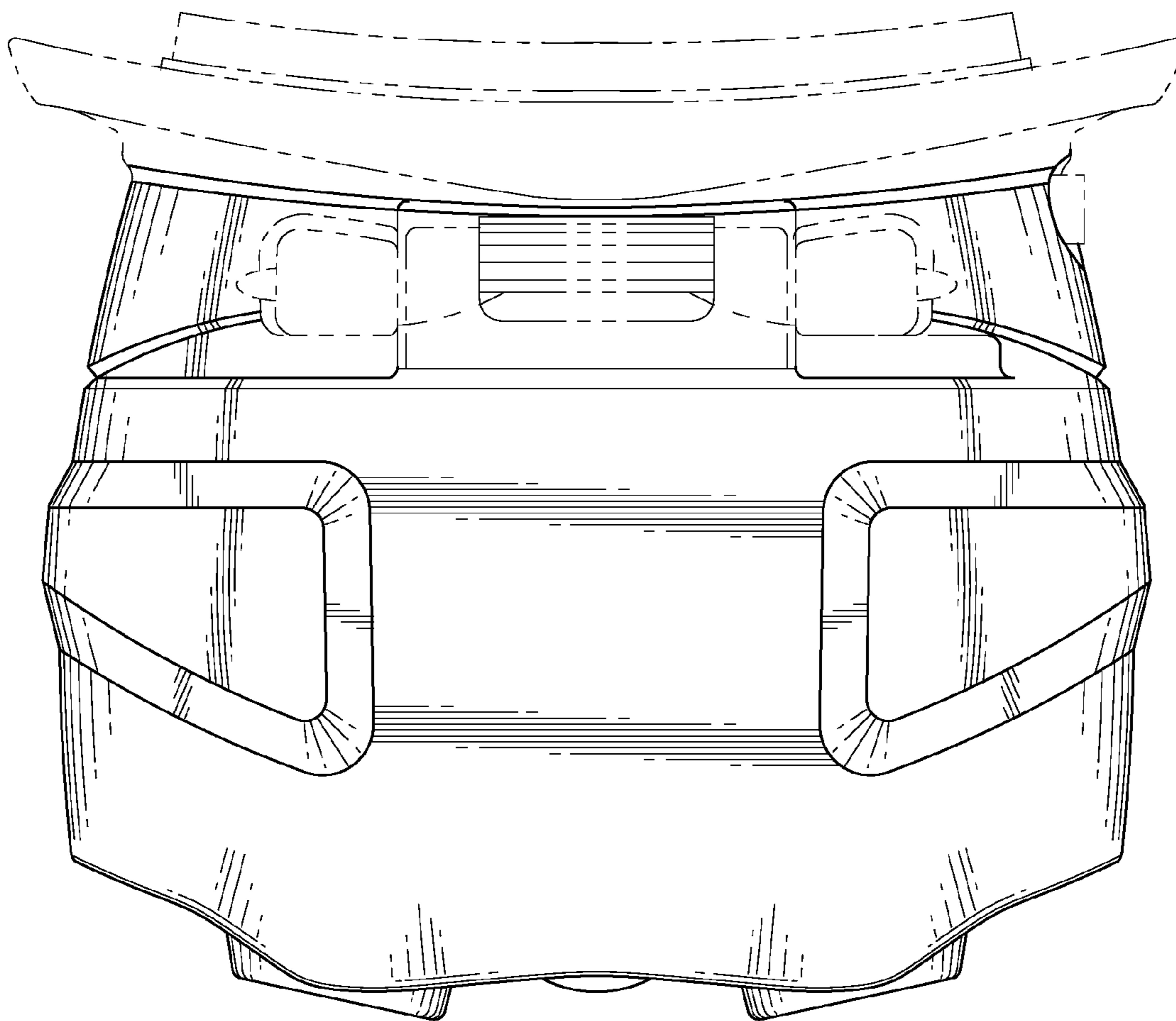


FIG. 8

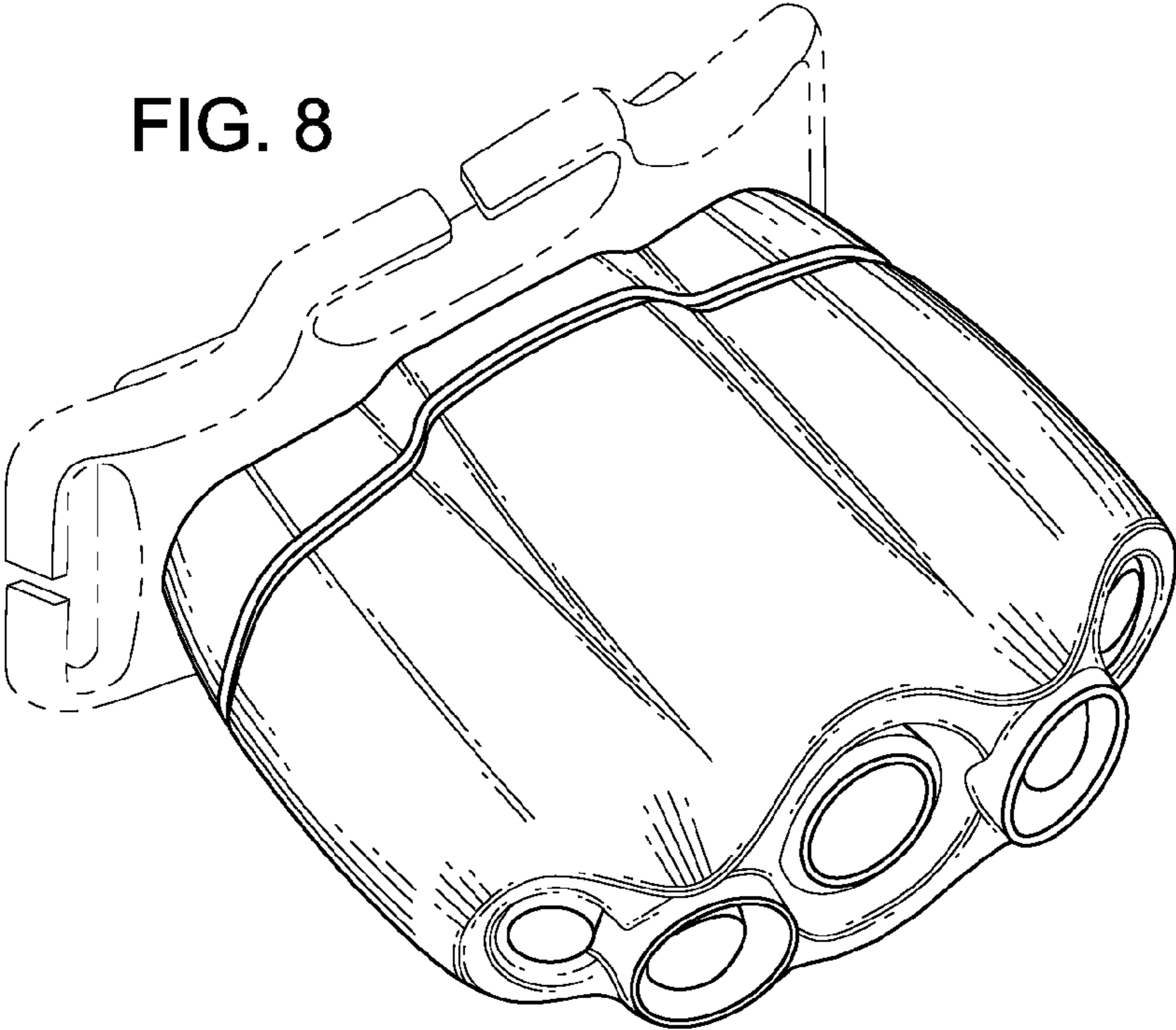


FIG. 9

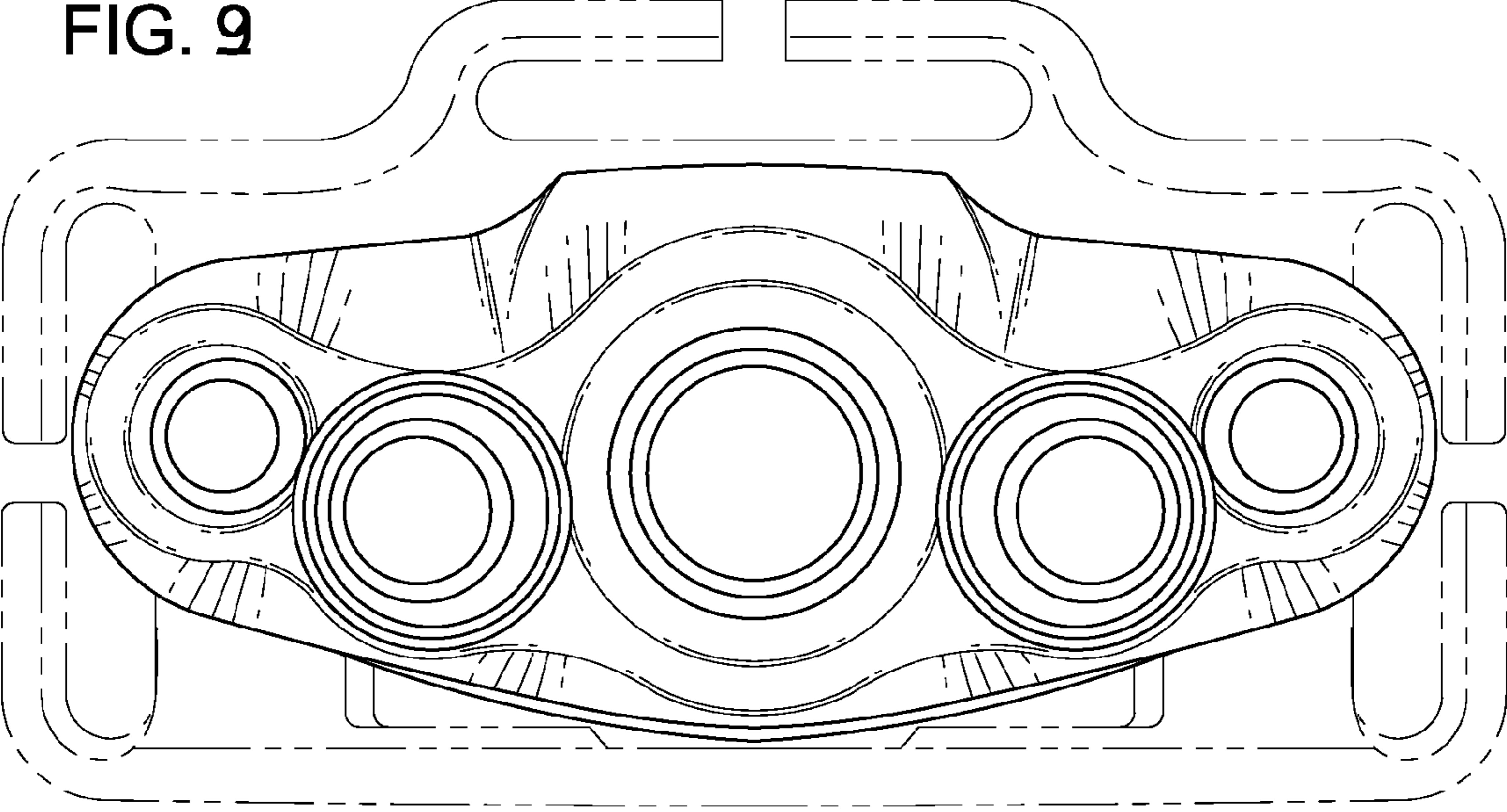


FIG. 10

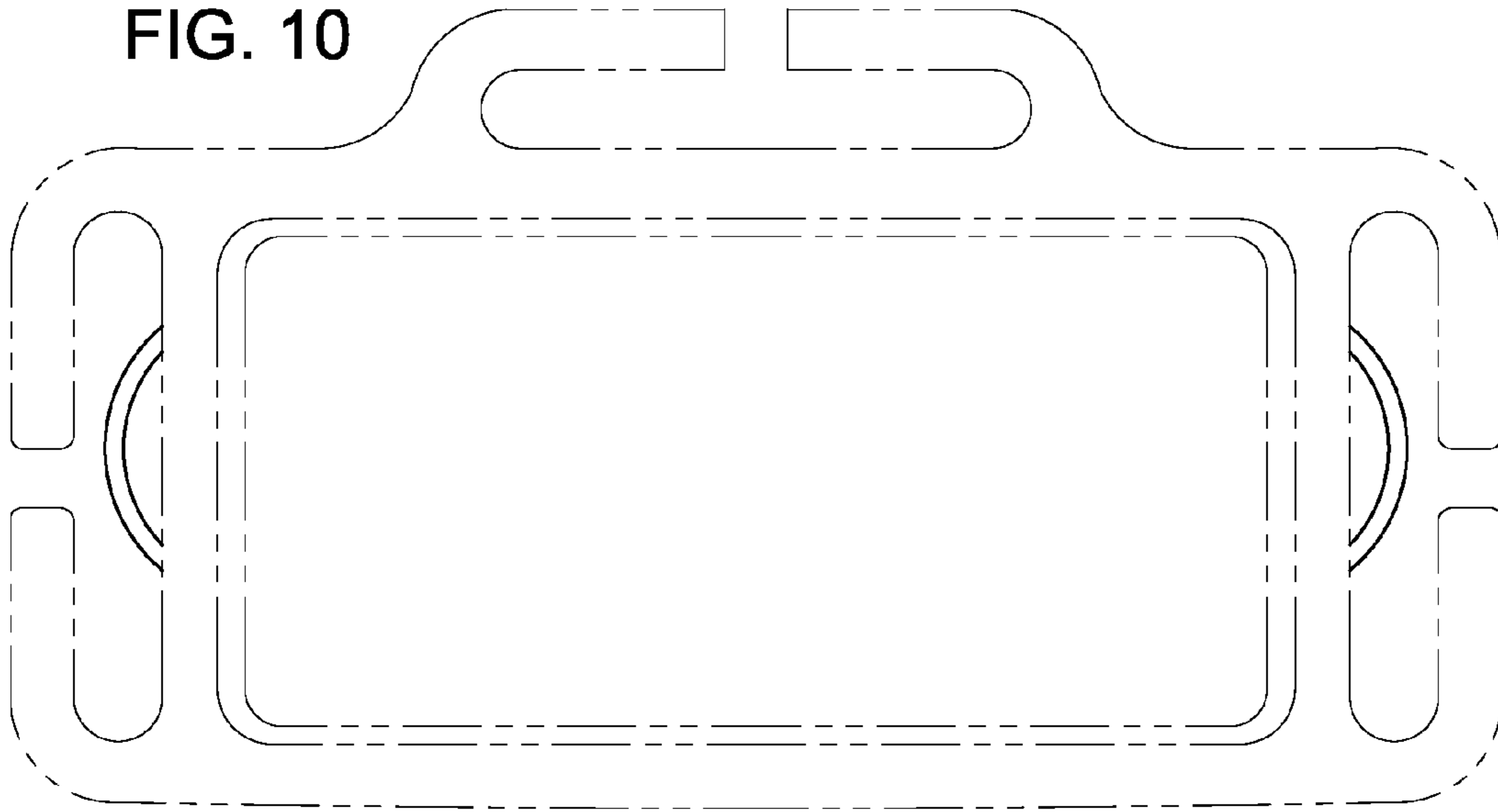


FIG. 11

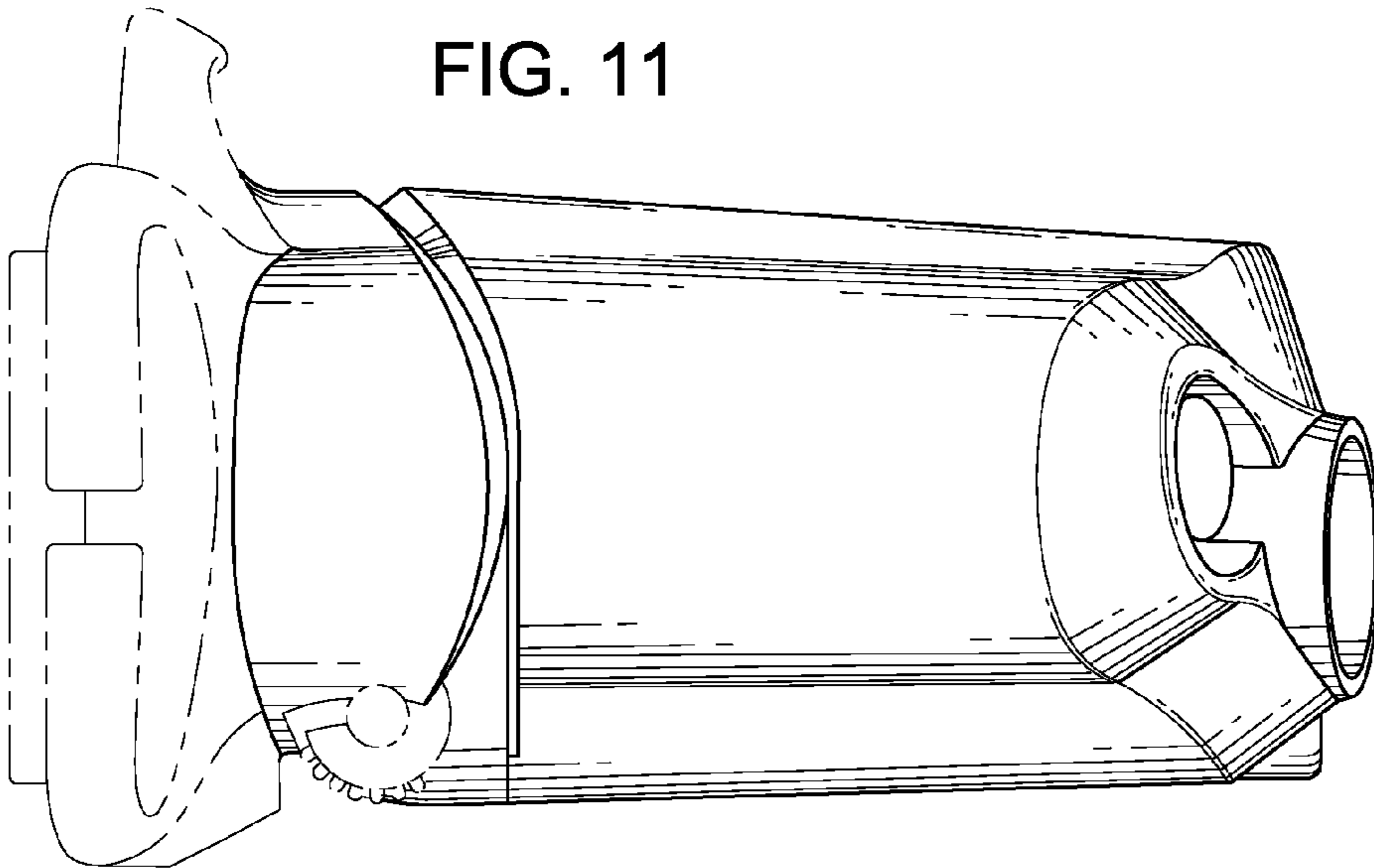


FIG. 12

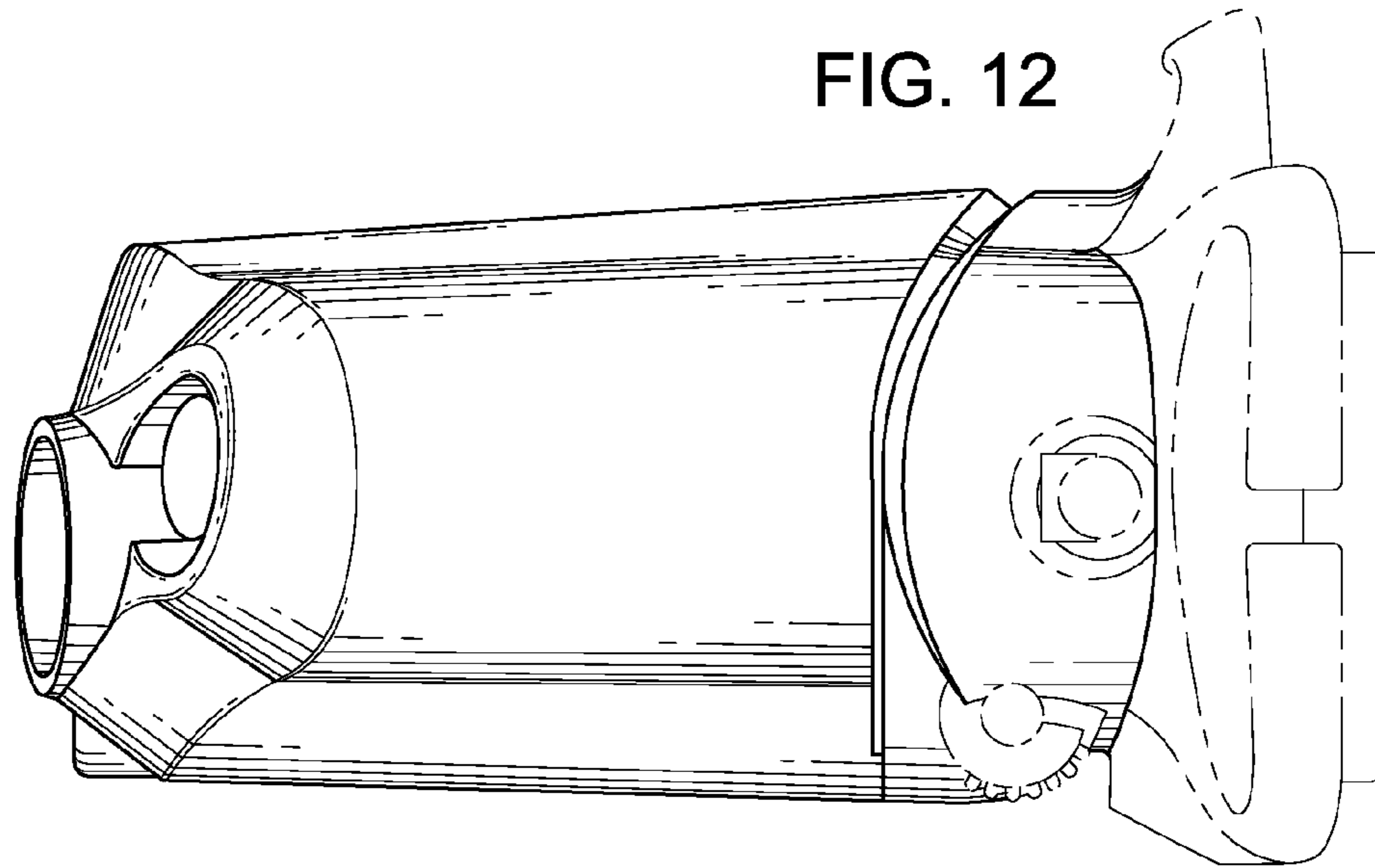


FIG. 13

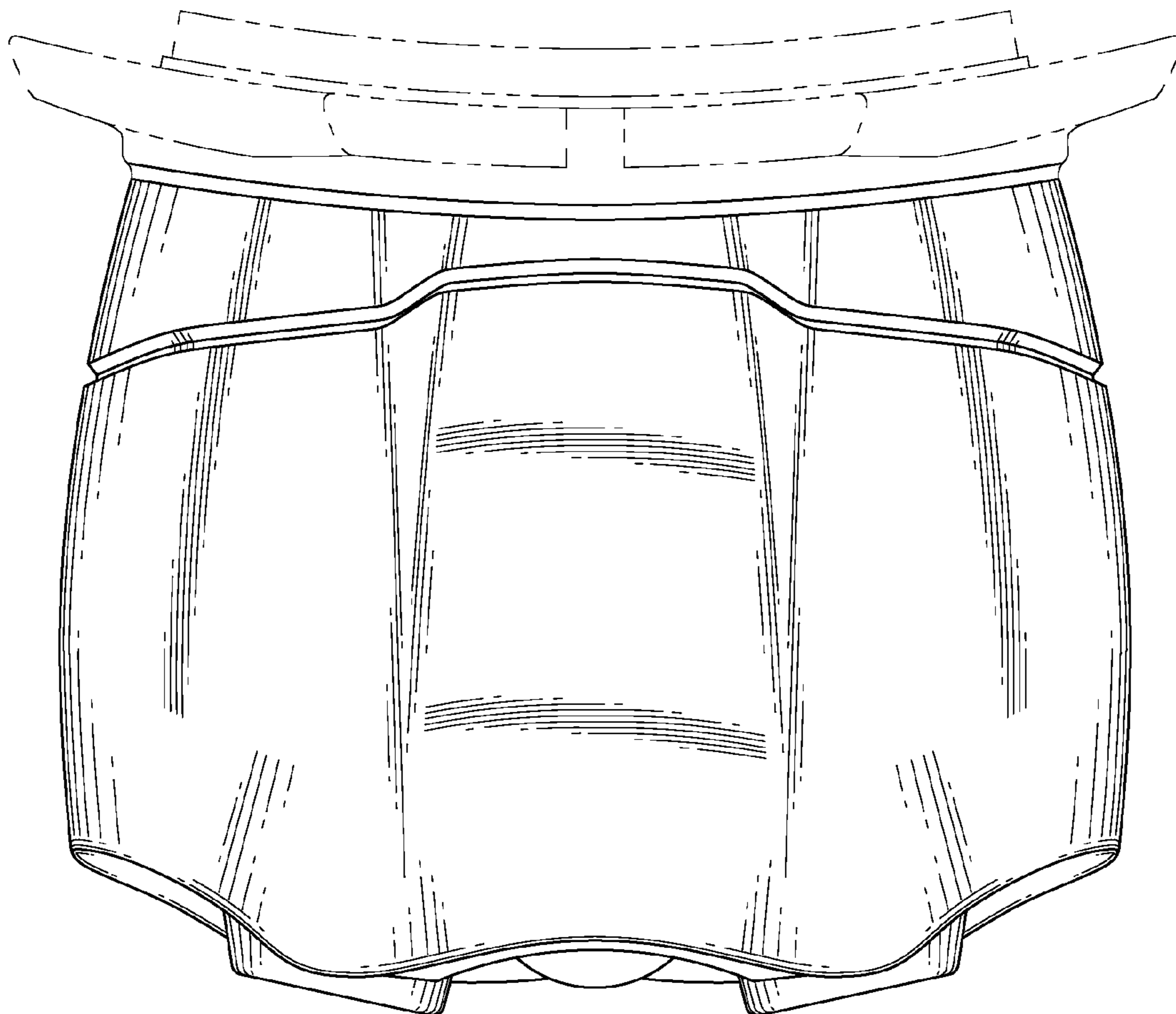


FIG. 14

