

US00D564107S

(12) **United States Design Patent**
Hor

(10) **Patent No.:** **US D564,107 S**
(45) **Date of Patent:** **** Mar. 11, 2008**

(54) **LED MICRO BULB**

(76) Inventor: **Lee Hor**, Flat B, 26/F of Block 49,
City One, Shatin N.T. (HK)

(**) Term: **14 Years**

(21) Appl. No.: **29/233,575**

(22) Filed: **Jul. 5, 2005**

(30) **Foreign Application Priority Data**

May 30, 2005 (CN) 2005 3 0059891

(51) **LOC (8) Cl.** **26-04**

(52) **U.S. Cl.** **D26/2**

(58) **Field of Classification Search** D26/1-4;
313/313, 315, 316, 317, 318, 493; 315/52,
315/53, 56, 57, 58

See application file for complete search history.

(56) **References Cited**

U.S. PATENT DOCUMENTS

D485,376 S *	1/2004	Iida et al.	D26/2
D503,986 S *	4/2005	Yiu	D26/2
D516,229 S *	2/2006	Tang	D26/2
D521,659 S *	5/2006	Chen	D26/2
D529,635 S *	10/2006	Johnson	D26/2

* cited by examiner

Primary Examiner—Marcus A. Jackson

(74) *Attorney, Agent, or Firm*—Blakely, Sokoloff, Taylor &
Zafman; Stephen M. De Klerk

(57) **CLAIM**

The new, original, and ornamental design for an LED micro bulb, as shown and described.

DESCRIPTION

FIG. 1 is a perspective view of the LED micro Bulb in accordance with the design;

FIG. 2 is a front view of the LED micro bulb as shown in FIG. 1;

FIG. 3 is a back view of the LED micro bulb as shown in FIG. 1;

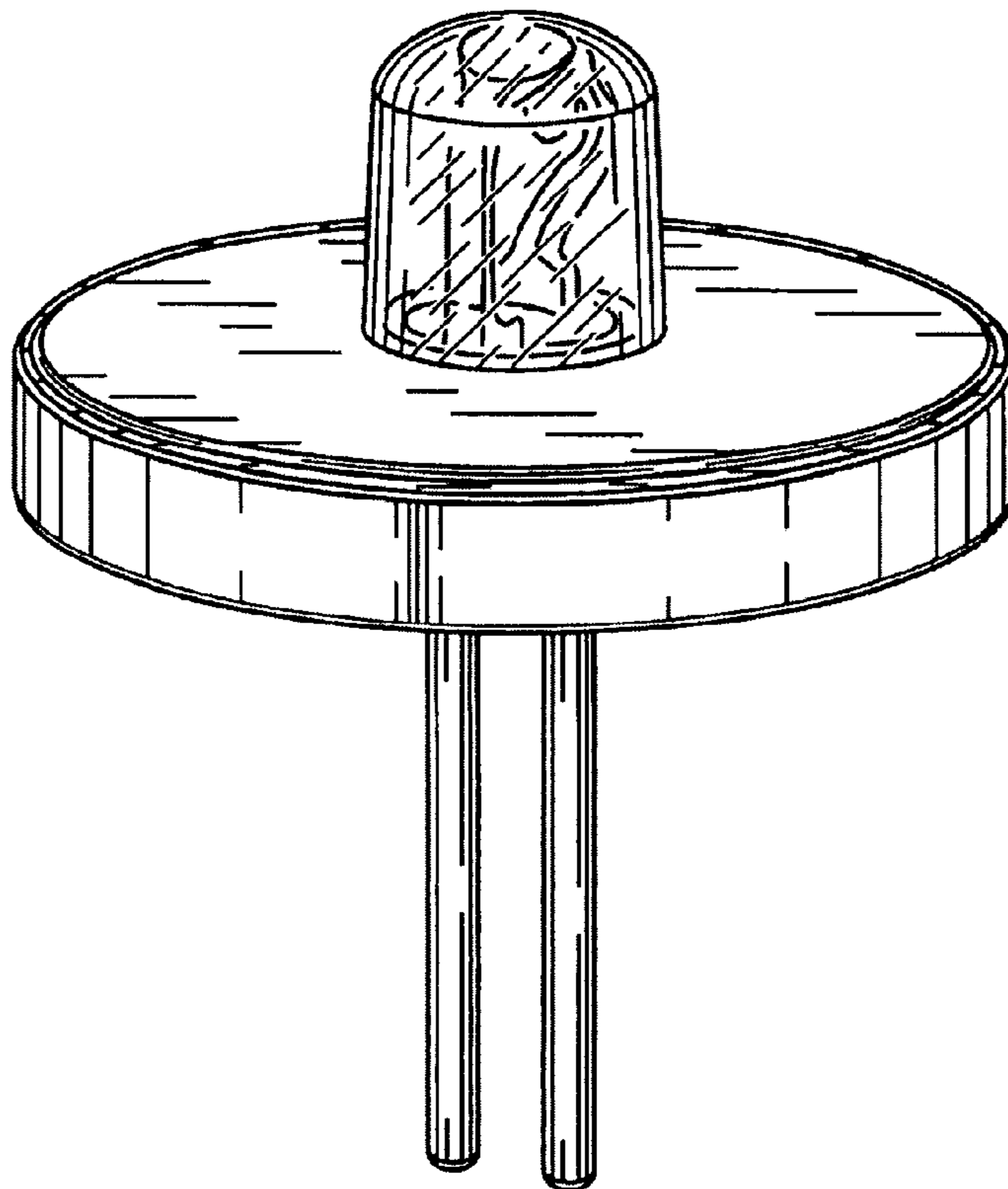
FIG. 4 is a left side elevational view of the LED micro bulb as shown in FIG. 1;

FIG. 5 is a right side elevational view of the LED micro bulb as shown in FIG. 1;

FIG. 6 is a top plan view of the LED micro bulb as shown in FIG. 1; and,

FIG. 7 is a bottom plan view of the LED micro bulb as shown in FIG. 1.

1 Claim, 7 Drawing Sheets



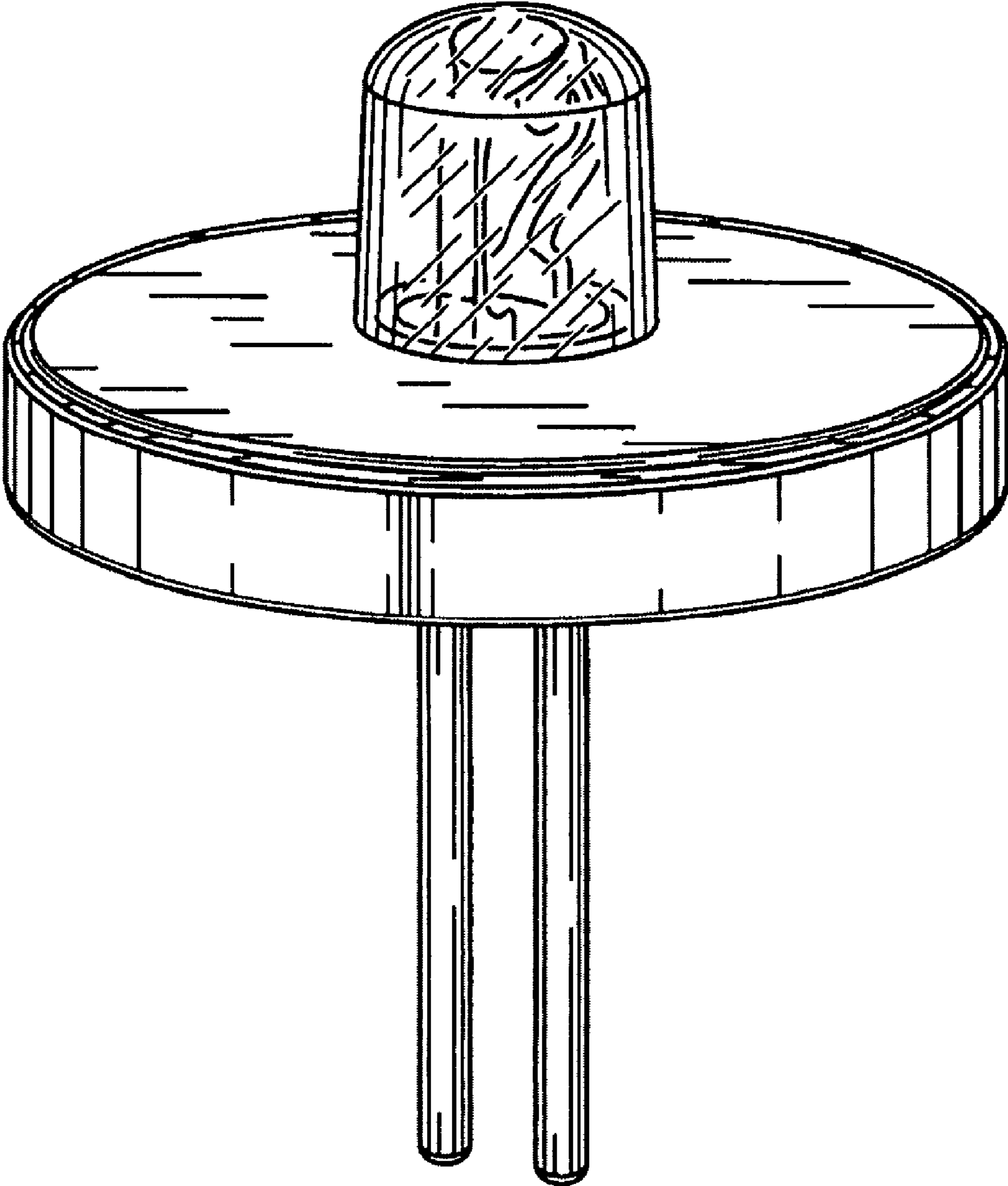


FIG. 1

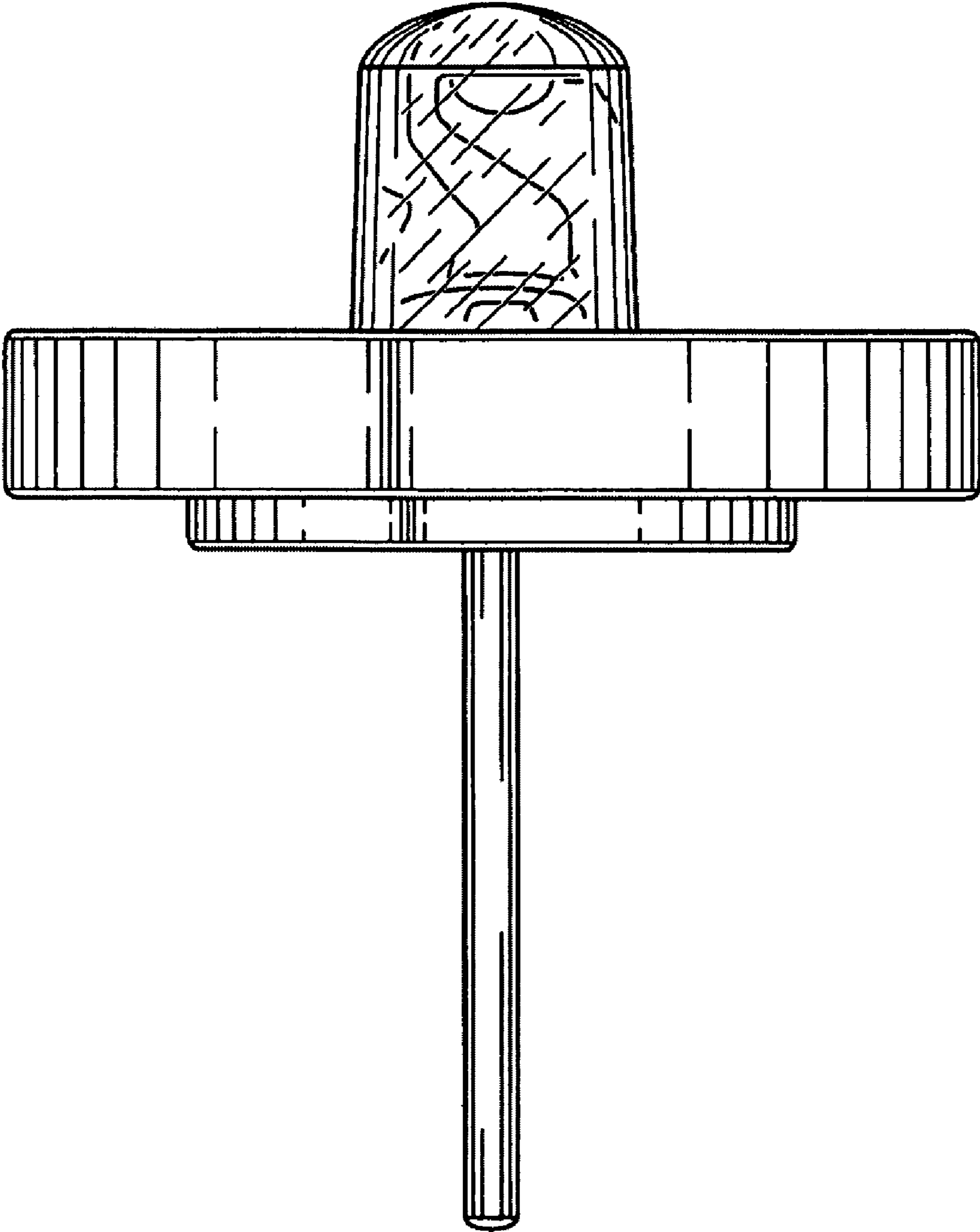


FIG. 2

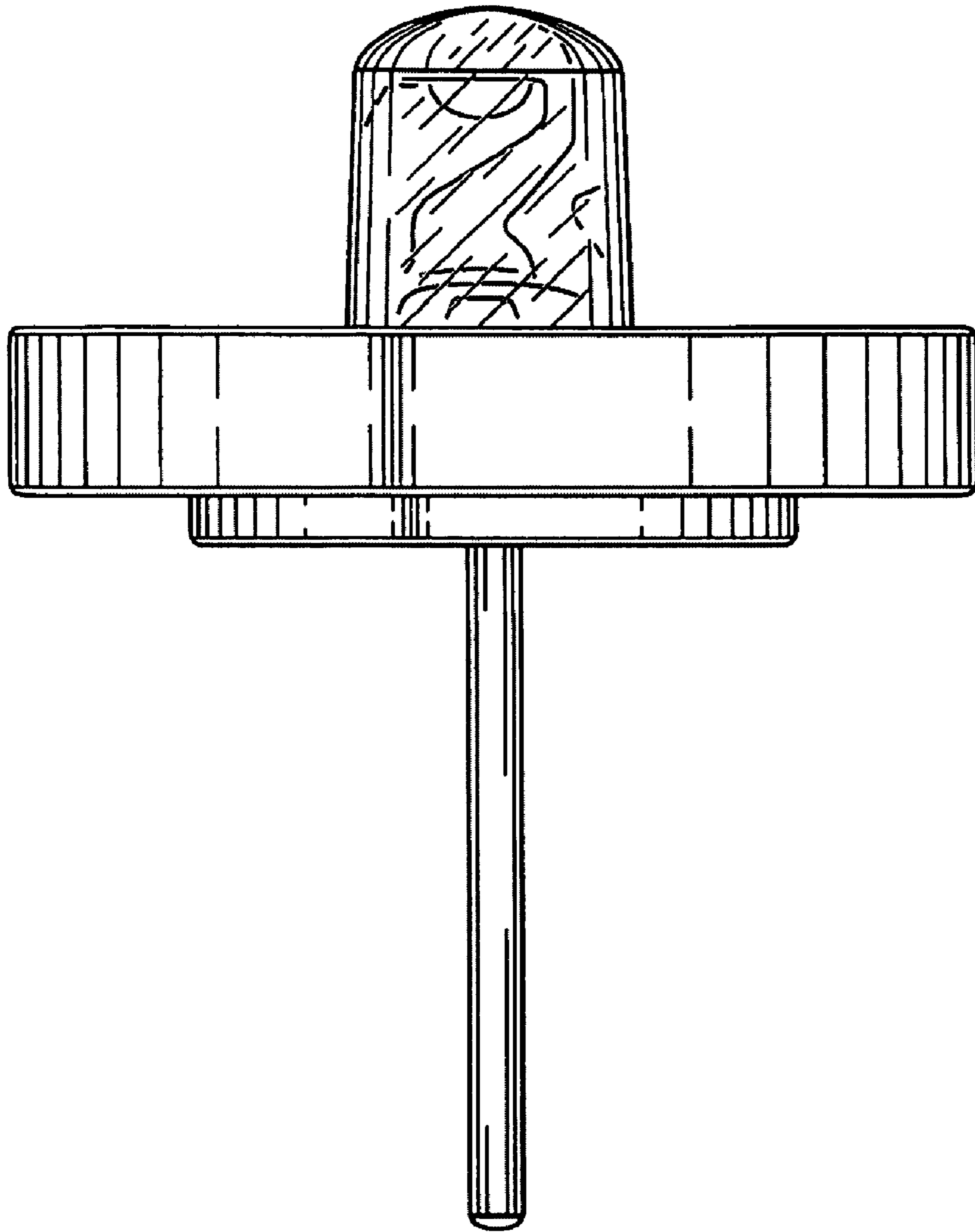


FIG. 3

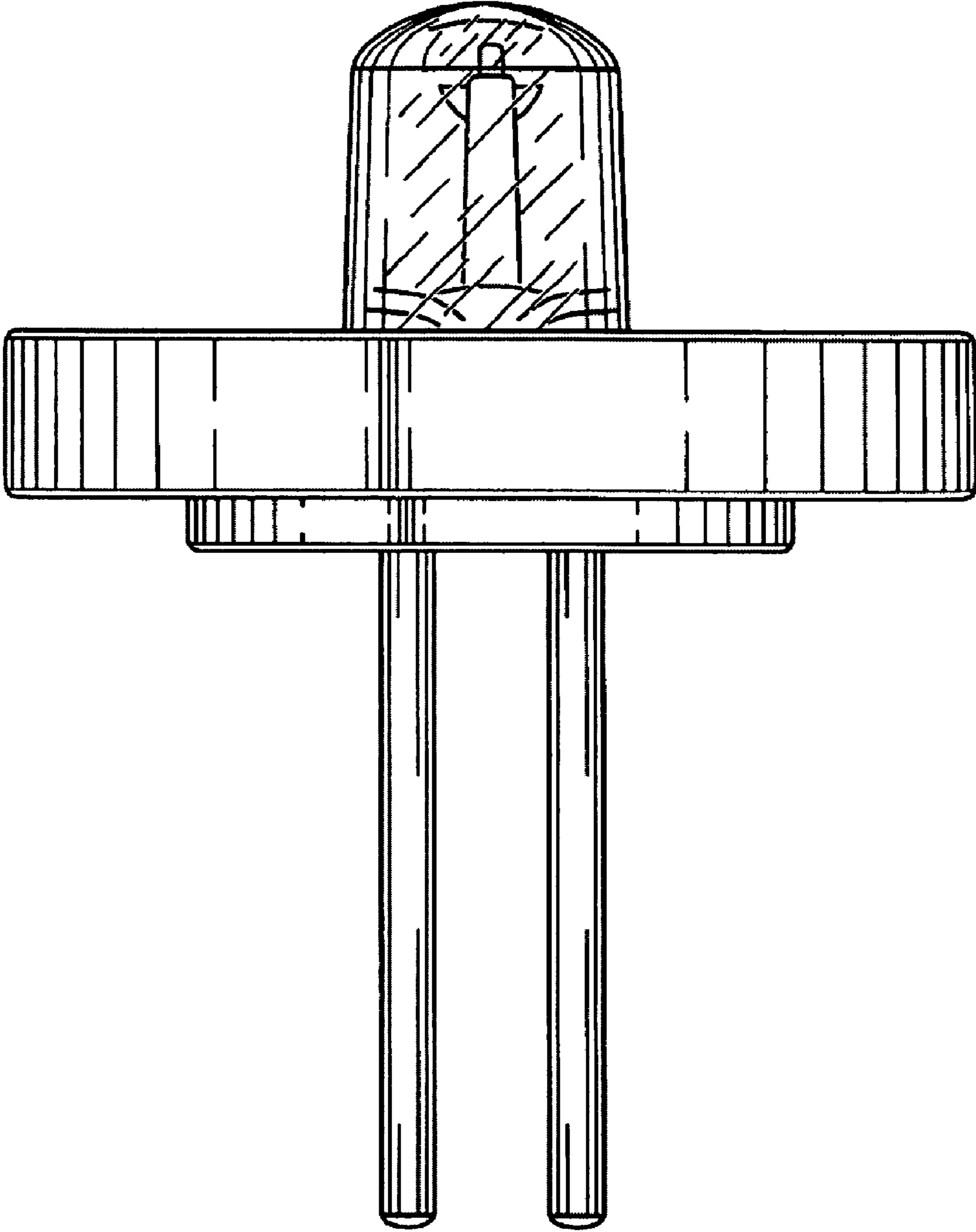


FIG. 4

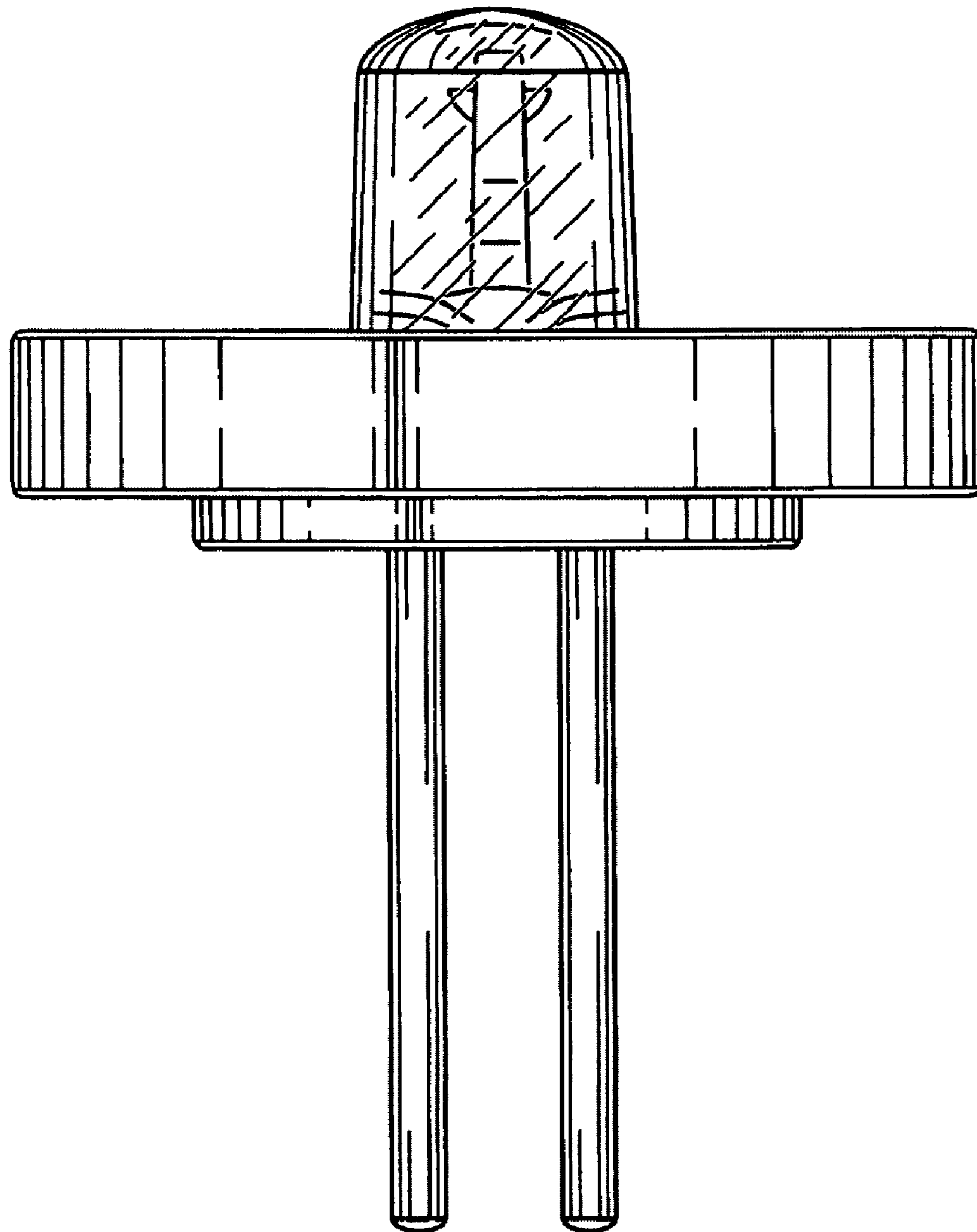


FIG. 5

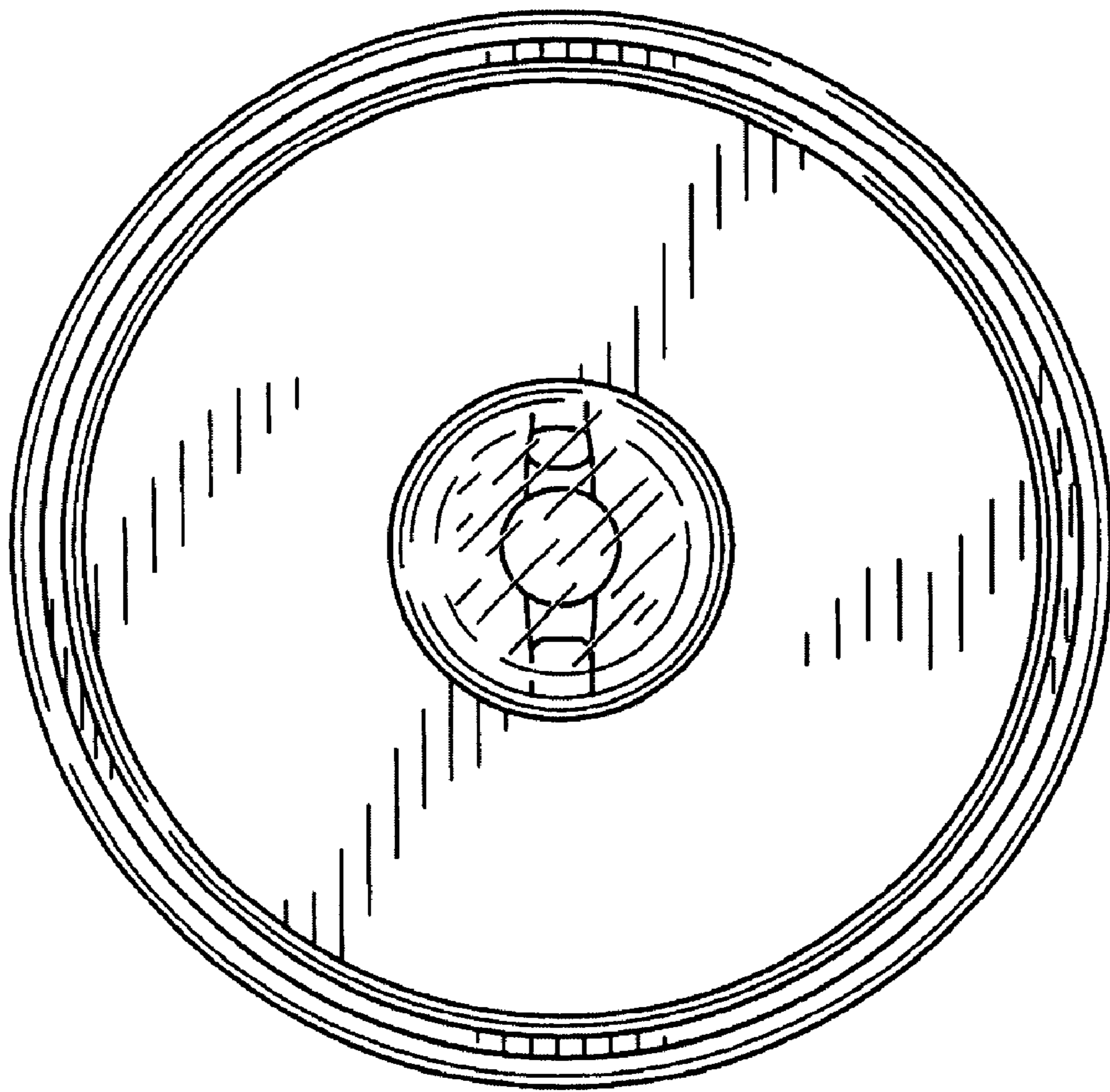


FIG. 6

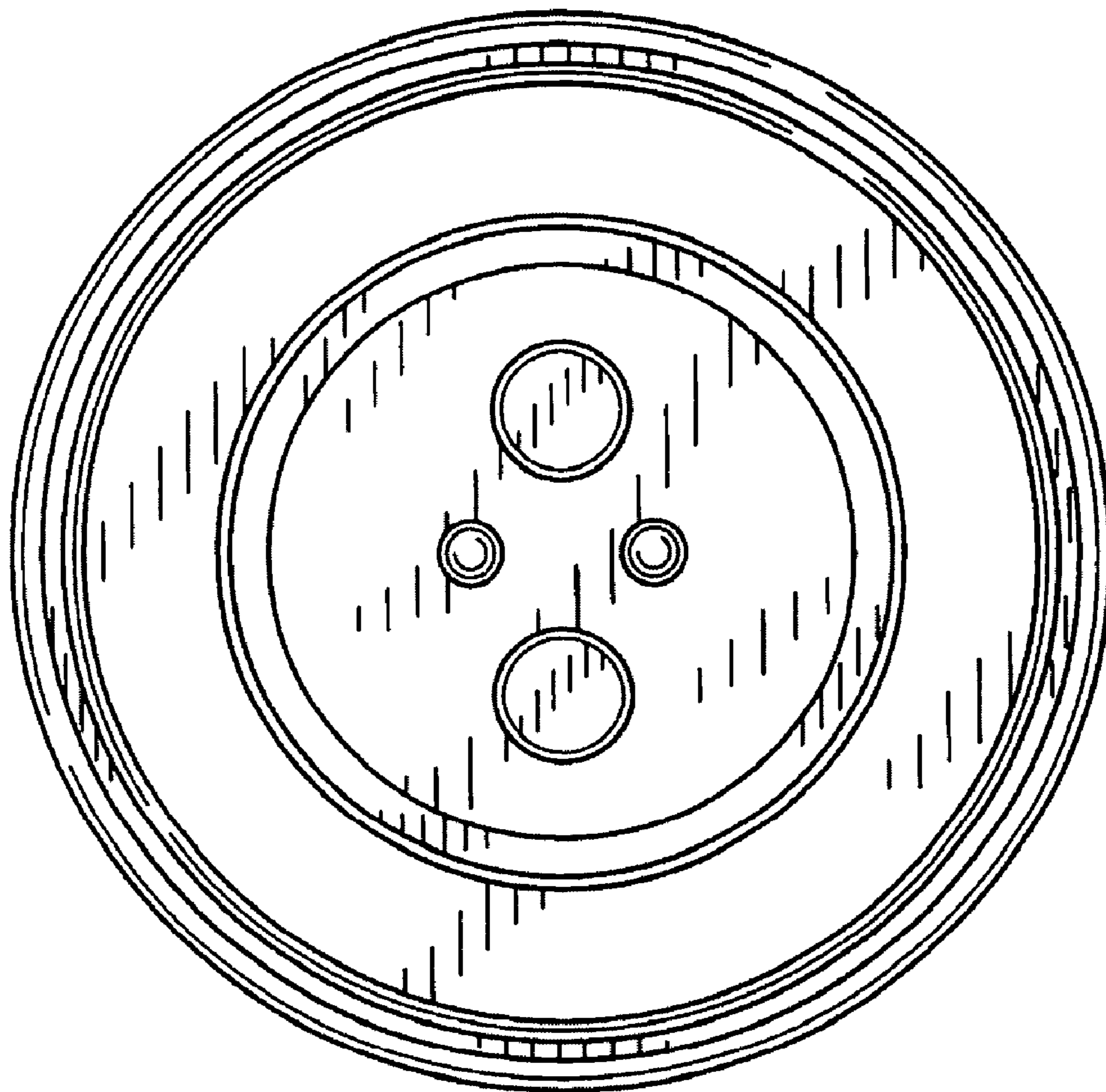


FIG. 7