



US00D564105S

(12) **United States Design Patent**
Amato

(10) **Patent No.:** **US D564,105 S**
(45) **Date of Patent:** **** Mar. 11, 2008**

(54) **DECK PANEL**

(75) Inventor: **Richard F. Amato**, Youngstown, OH
(US)

(73) Assignee: **VinylTech International, LLC**, North
Jackson, OH (US)

(**) Term: **14 Years**

(21) Appl. No.: **29/276,530**

(22) Filed: **Jan. 29, 2007**

(51) **LOC (8) Cl.** **25-01**

(52) **U.S. Cl.** **D25/125**

(58) **Field of Classification Search** 52/177,
52/87, 650.3; 405/196; 14/73; 119/529,
119/530; D25/138, 125

See application file for complete search history.

(56) **References Cited**

U.S. PATENT DOCUMENTS

5,009,045	A *	4/1991	Yoder	52/177
5,050,361	A	9/1991	Hallsten		
5,613,339	A	3/1997	Pollock		
5,647,184	A	7/1997	Davis		
5,660,016	A	8/1997	Erwin et al.		
5,758,467	A	6/1998	Snear et al.		
D418,926	S	1/2000	Owens et al.		
6,199,340	B1 *	3/2001	Davis	52/592.1
6,233,886	B1 *	5/2001	Andres	52/177
6,260,322	B1 *	7/2001	Lindsay	52/474
6,272,808	B1 *	8/2001	Groh et al.	52/592.1
6,324,796	B1	12/2001	Heath		
6,453,630	B1	9/2002	Buhrts et al.		
6,467,118	B2 *	10/2002	Dumlao et al.	14/73
6,594,961	B2	7/2003	Leines		

6,619,002	B2	9/2003	Pettit		
D485,373	S *	1/2004	Morton et al.	D25/125
D485,621	S	1/2004	Deel		
D492,797	S *	7/2004	Simko et al.	D25/125
2003/0192275	A1 *	10/2003	He	52/403.1

* cited by examiner

Primary Examiner—Doris Clark

(74) *Attorney, Agent, or Firm*—Frederick L. Tolhurst, Esq.;
Cohen & Grigsby, P.C.

(57) **CLAIM**

I claim the ornamental design for a deck panel, as shown and described.

DESCRIPTION

The present invention relates to a panel that can be assembled into a walking surface.

FIG. 1 is a perspective view of the panel embodying my new design.

FIG. 2 is a top view of the panel shown in FIG. 1.

FIG. 3 is a bottom view of the panel in FIG. 1.

FIG. 4 is a right side elevation view of the panel shown in FIG. 1.

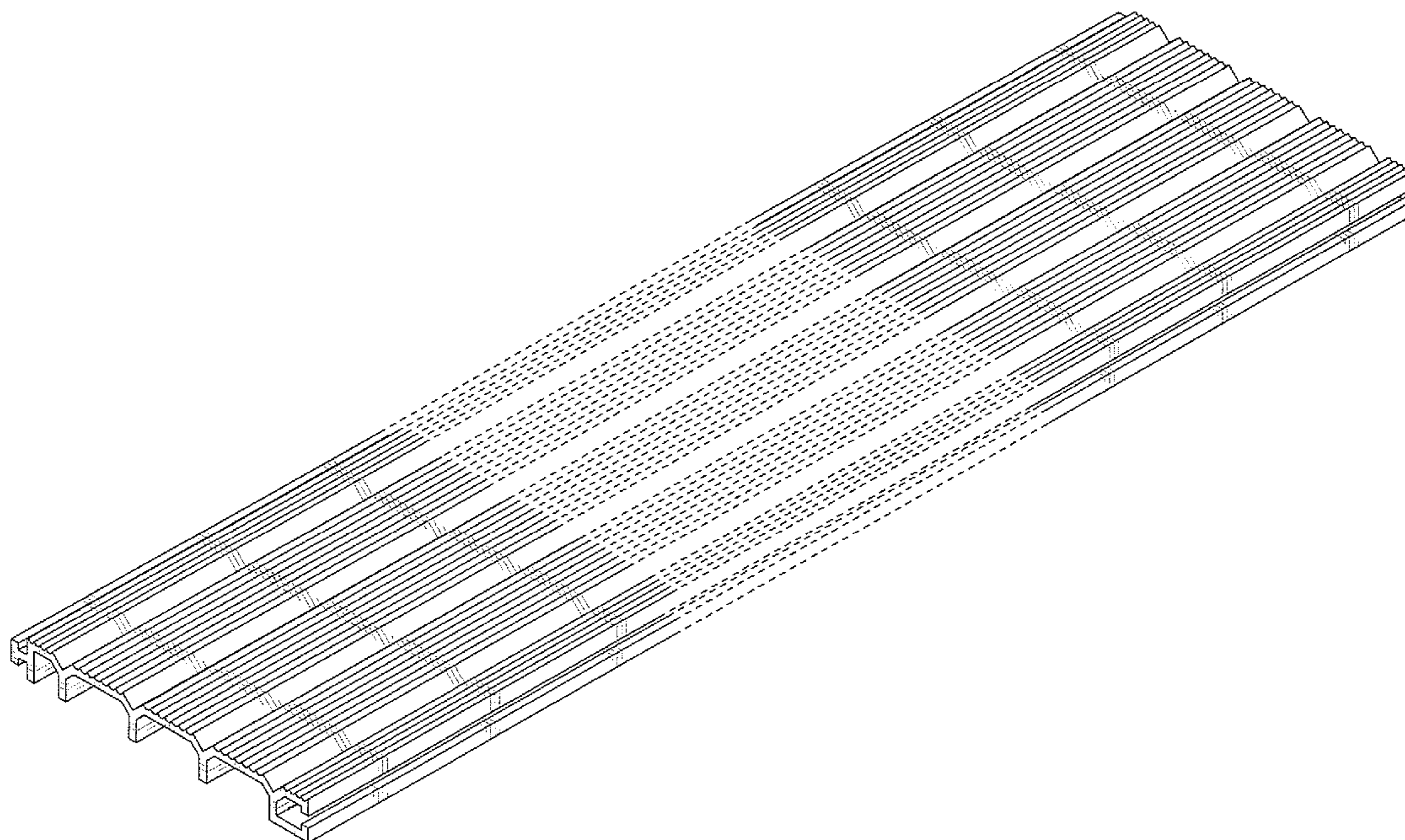
FIG. 5 is a left side elevation view of the panel shown in FIG. 1.

FIG. 6 is a rear end elevation view of the panel shown in FIG. 1; and,

FIG. 7 is a front end elevation view of the panel shown in FIG. 1.

The claimed design is broken in the center to indicate indeterminate length.

1 Claim, 3 Drawing Sheets



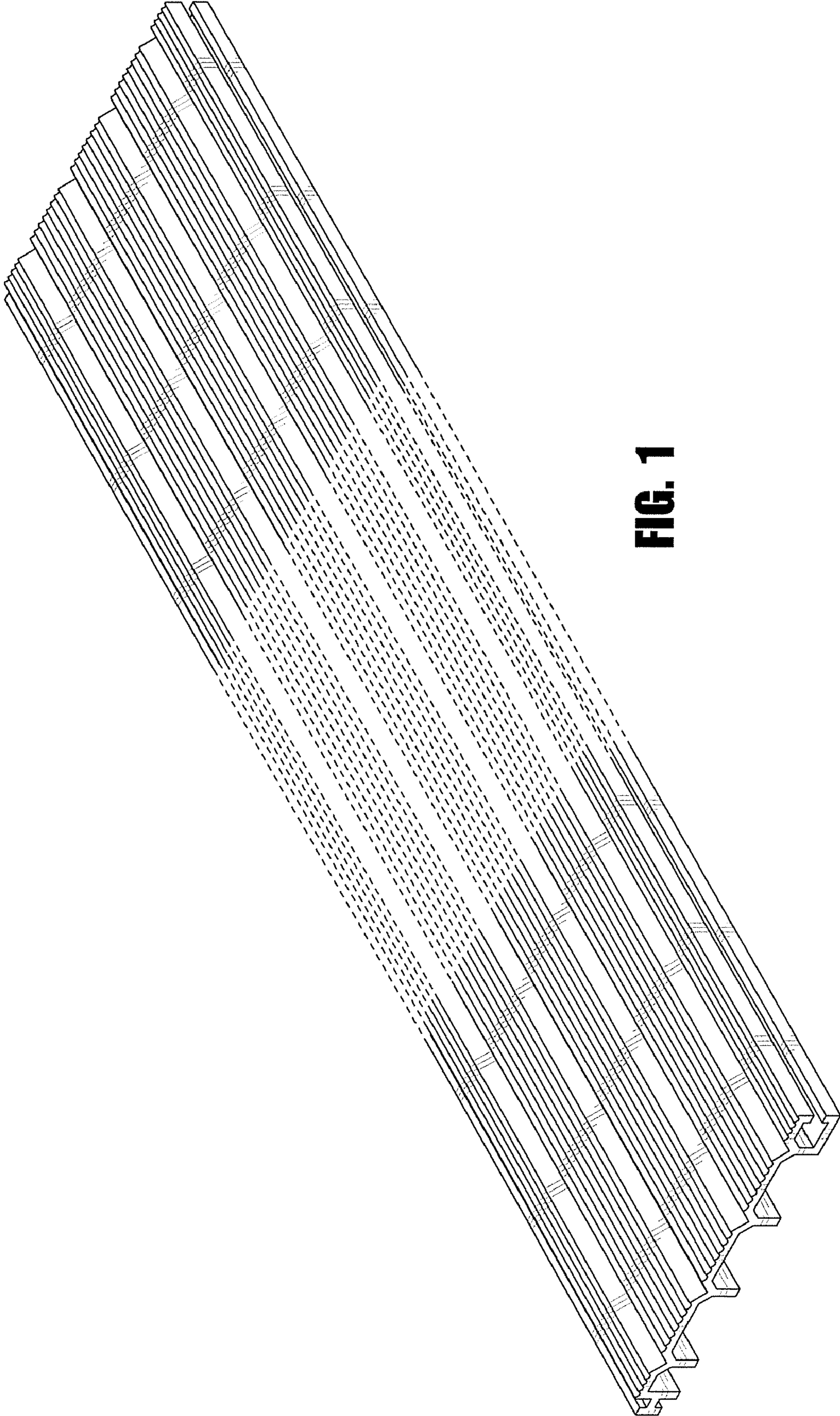


FIG. 1

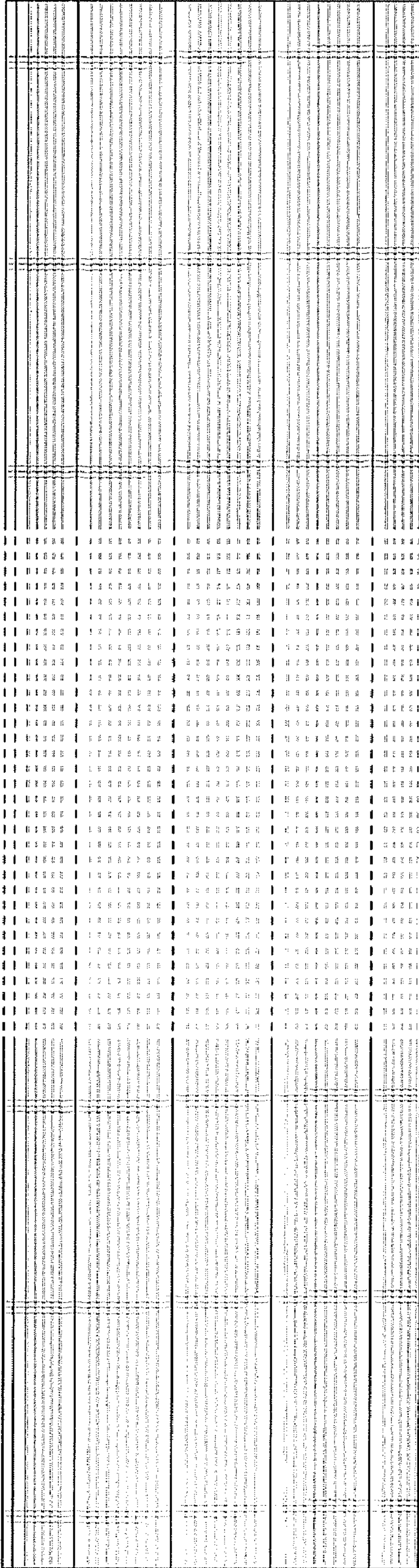


FIG. 2

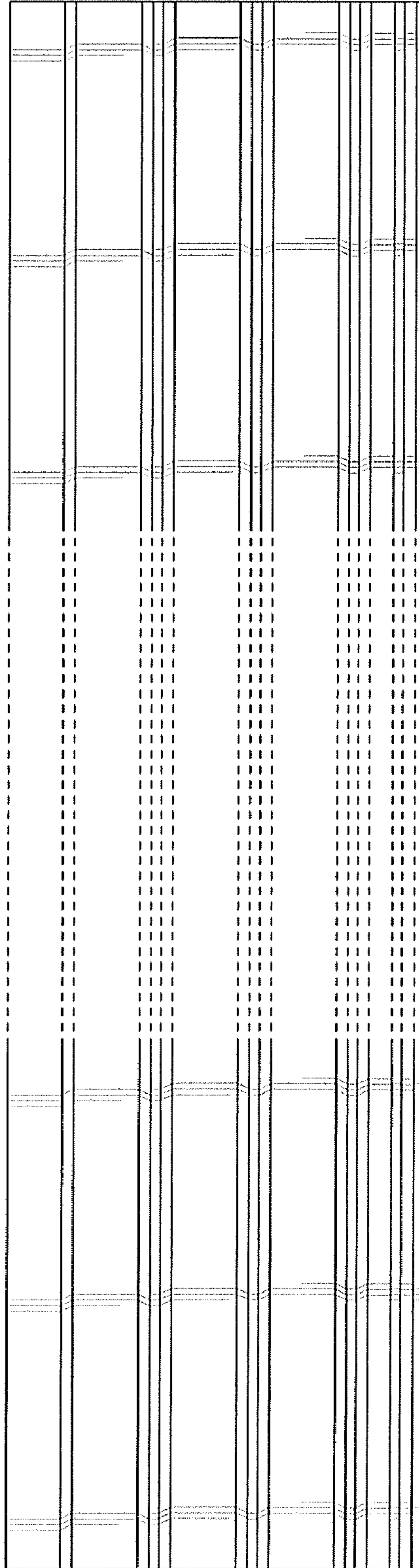


FIG. 3

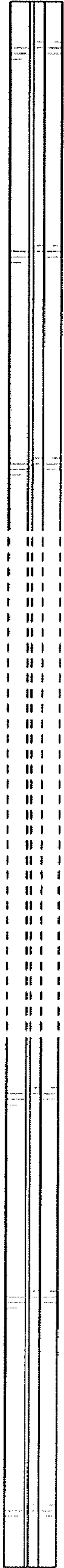


FIG. 4



FIG. 5



FIG. 6

FIG. 7