



US00D564101S

(12) **United States Design Patent**  
**Sugimori et al.**

(10) **Patent No.:** **US D564,101 S**  
(45) **Date of Patent:** **\*\* Mar. 11, 2008**

(54) **FENCE UNIT**

(75) Inventors: **Yuji Sugimori**, Tokyo (JP); **Naoaki Shoui**, Tokyo (JP); **Motohiko Higashiguchi**, Tokyo (JP)

(73) Assignee: **Sega Corporation** (JP)

(\*\*) Term: **14 Years**

(21) Appl. No.: **29/258,642**

(22) Filed: **Apr. 26, 2006**

(30) **Foreign Application Priority Data**

Jan. 12, 2006 (JP) ..... 2006-000397

(51) **LOC (8) Cl.** ..... **25-02**

(52) **U.S. Cl.** ..... **D25/39**

(58) **Field of Classification Search** ..... D25/38,  
D25/39, 43-44, 50; 52/64, 71; 256/22-25,  
256/73, 32-35, 37, 19

See application file for complete search history.

(56) **References Cited**

**U.S. PATENT DOCUMENTS**

D466,614 S *	12/2002	Pettit et al.	.....	D25/42
D509,904 S *	9/2005	Deschenes	.....	D25/38
D519,646 S *	4/2006	Wilmotte	.....	D25/38
D543,639 S *	5/2007	Mertins	.....	D25/38
2007/0090334 A1 *	4/2007	Laws et al.	.....	256/24

\* cited by examiner

*Primary Examiner*—Catherine R. Oliver  
(74) *Attorney, Agent, or Firm*—Dickstein Shapiro LLP

(57) **CLAIM**

The ornamental design for the fence unit, as shown and described.

**DESCRIPTION**

FIG. 1 is a front, top and right side perspective view of our new design for a fence unit;

FIG. 2 is a front elevational view of the fence unit of FIG. 1;

FIG. 3 is a rear elevational view of the fence unit of FIG. 1;

FIG. 4 is a right side elevational view of the fence unit of FIG. 1;

FIG. 5 is a left side elevational view of the fence unit of FIG. 1;

FIG. 6 is a top plan view of the fence unit of FIG. 1;

FIG. 7 is a bottom plan view of the fence unit of FIG. 1;

FIG. 8 is an enlarged sectional view of the fence unit of FIG. 1 taken along the line 8—8 in FIG. 2; and,

FIG. 9 is a reference view showing the fence unit of FIG. 1 in use.

The broken line showing of environment in the drawings is for illustrative purposes only and forms no part of the claimed design.

**1 Claim, 6 Drawing Sheets**

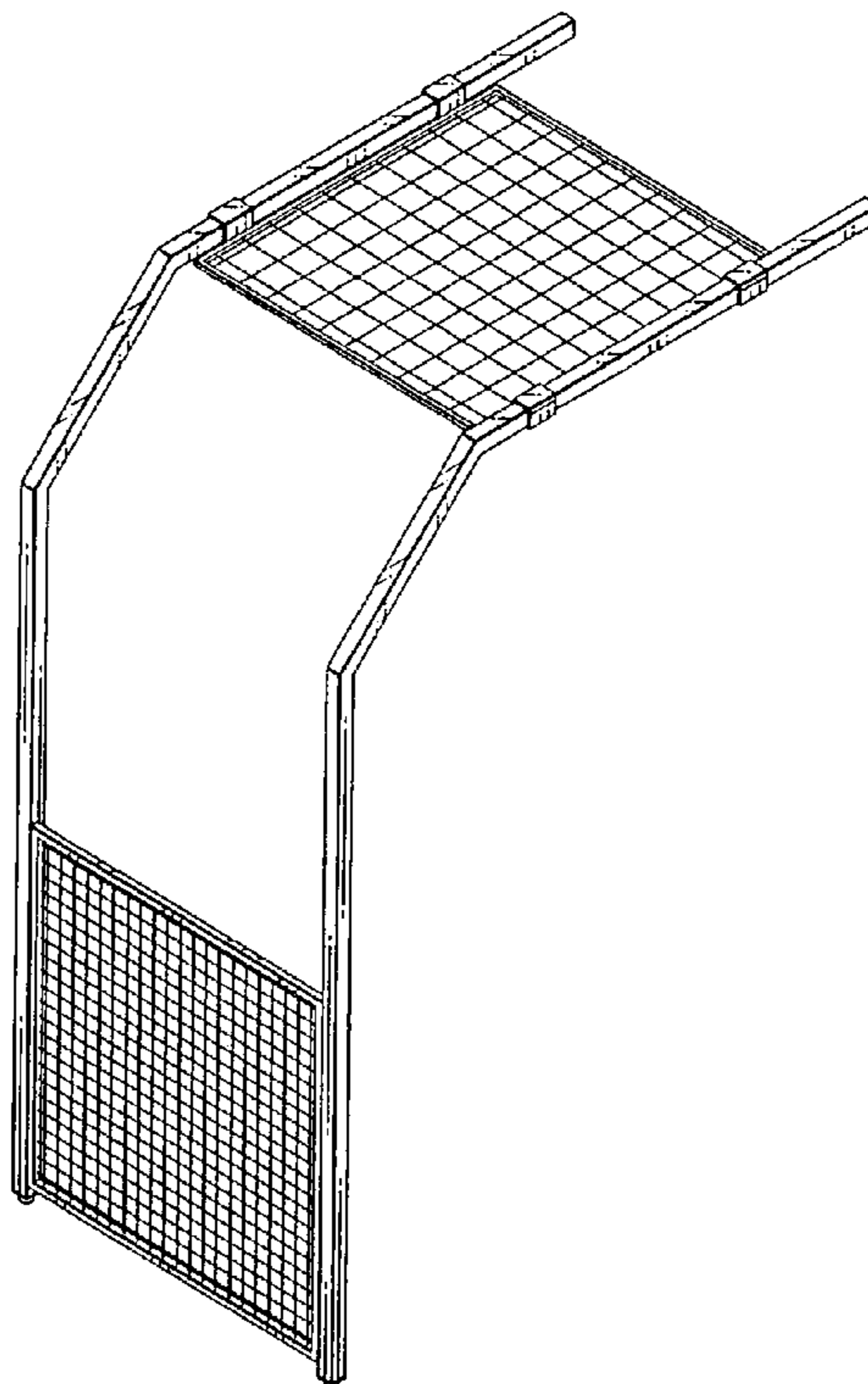


FIG. 1

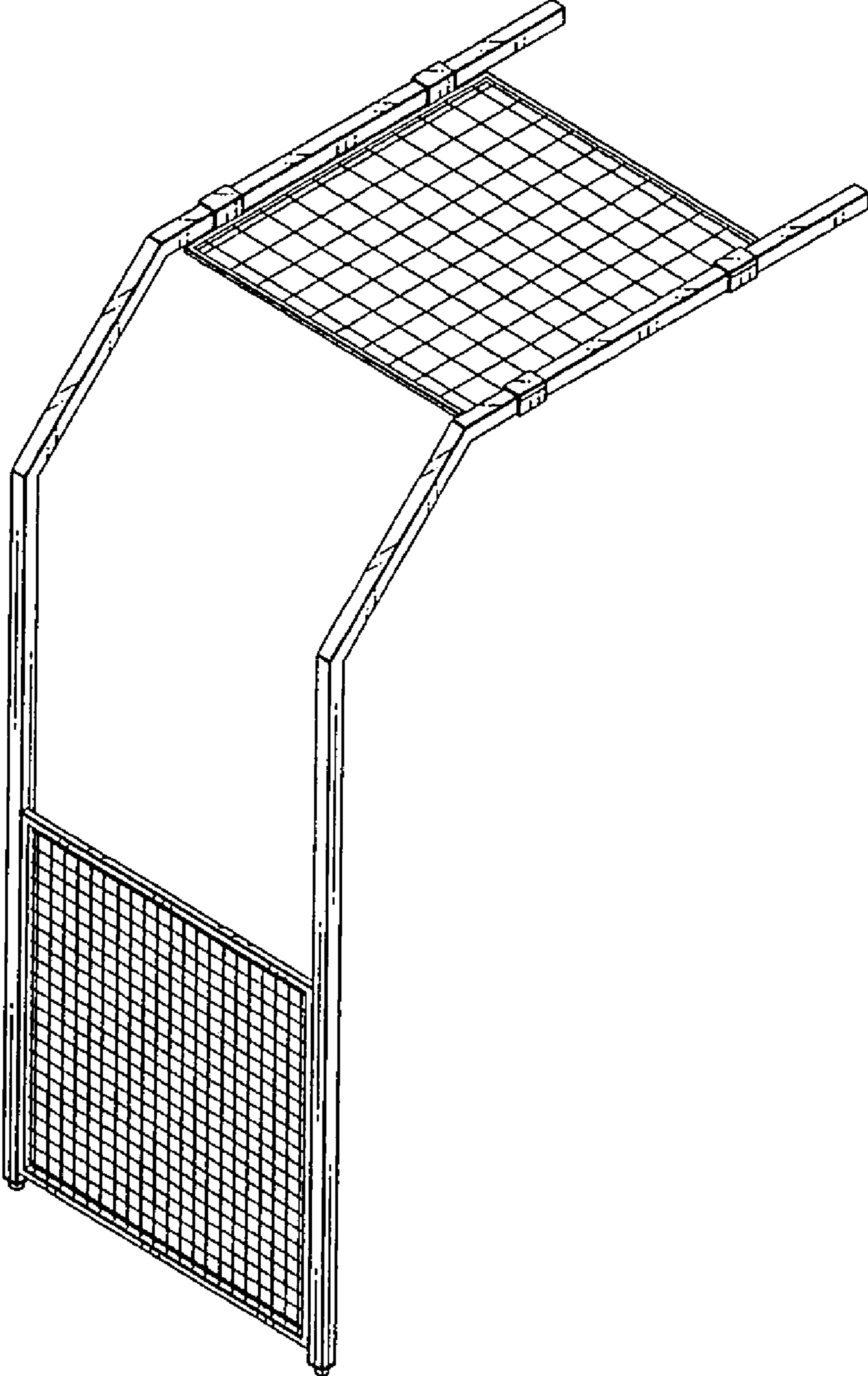
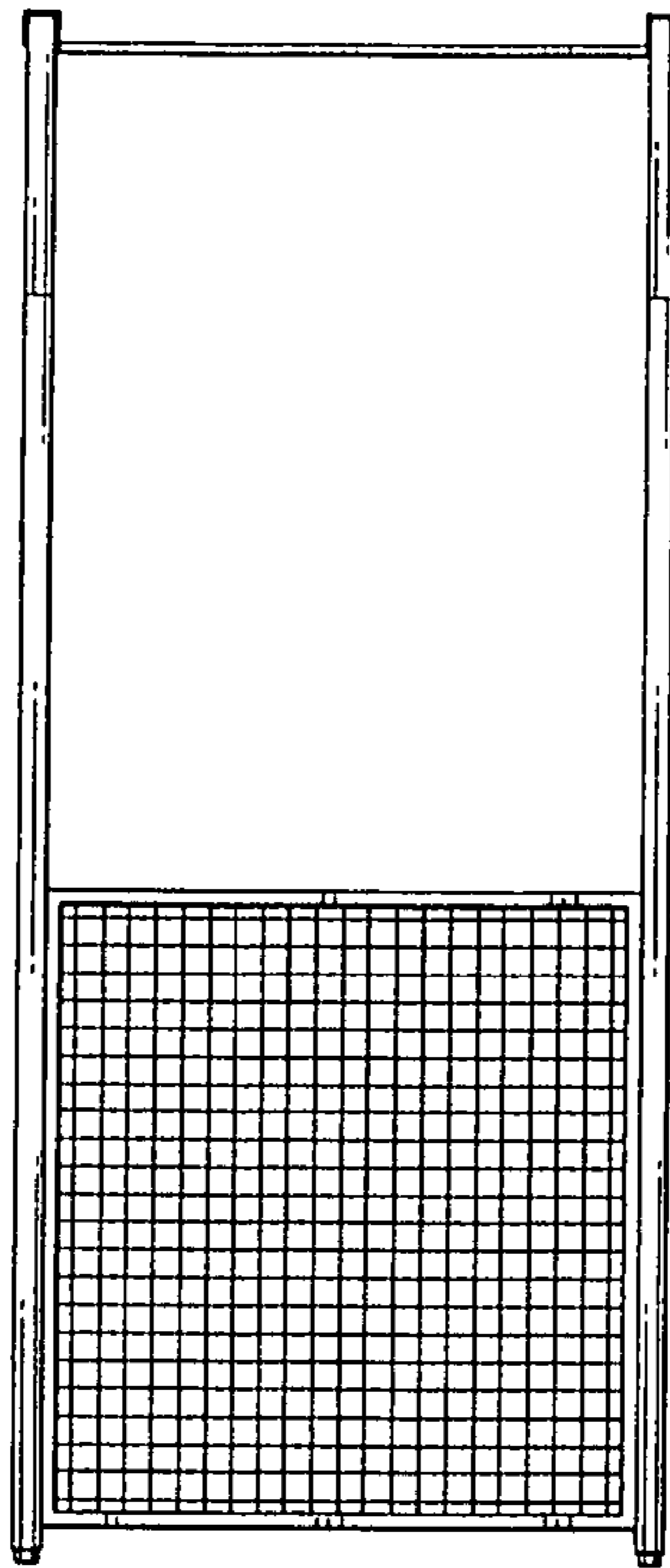


FIG.2

8 ↖



8 ↖

FIG.3

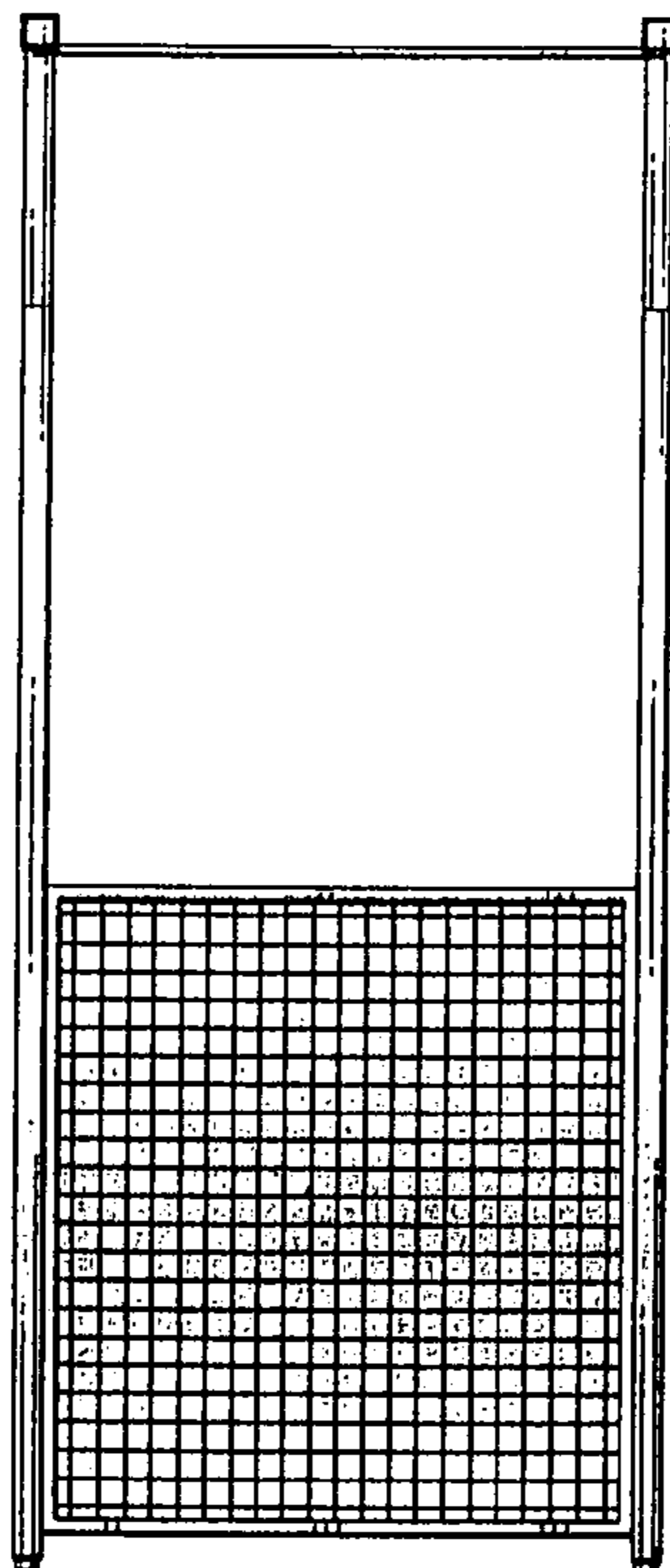


FIG.4

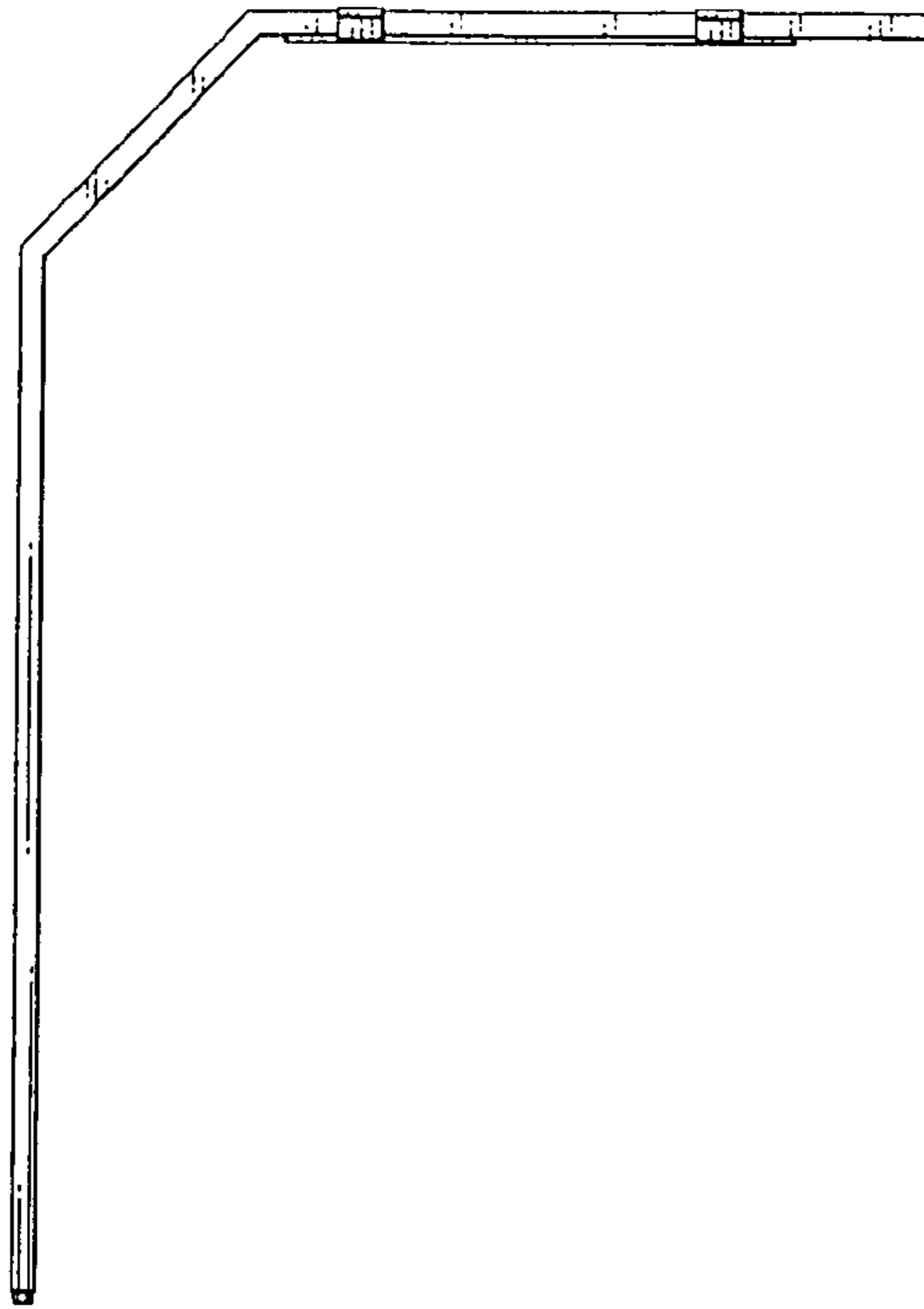


FIG.5

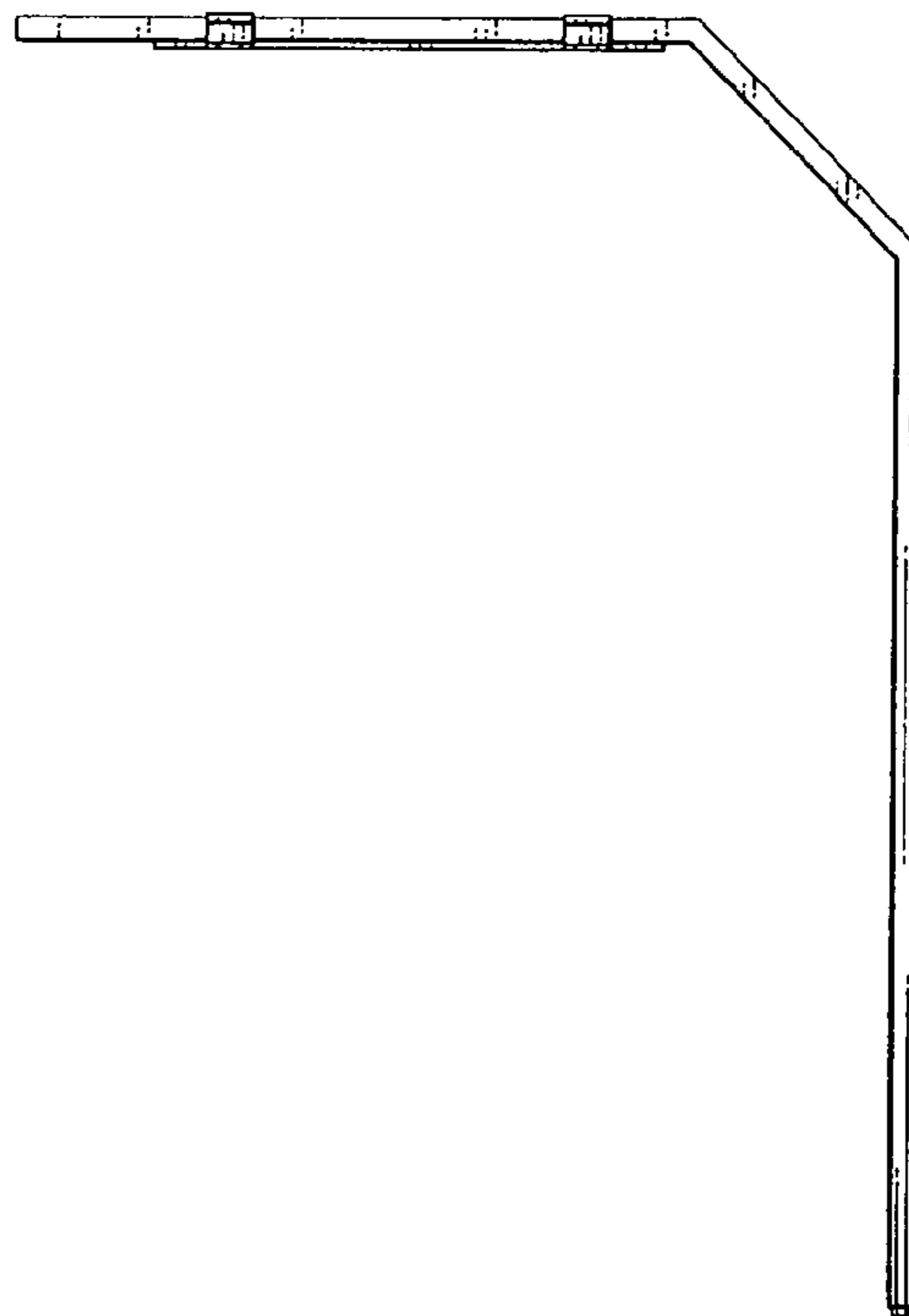


FIG.6

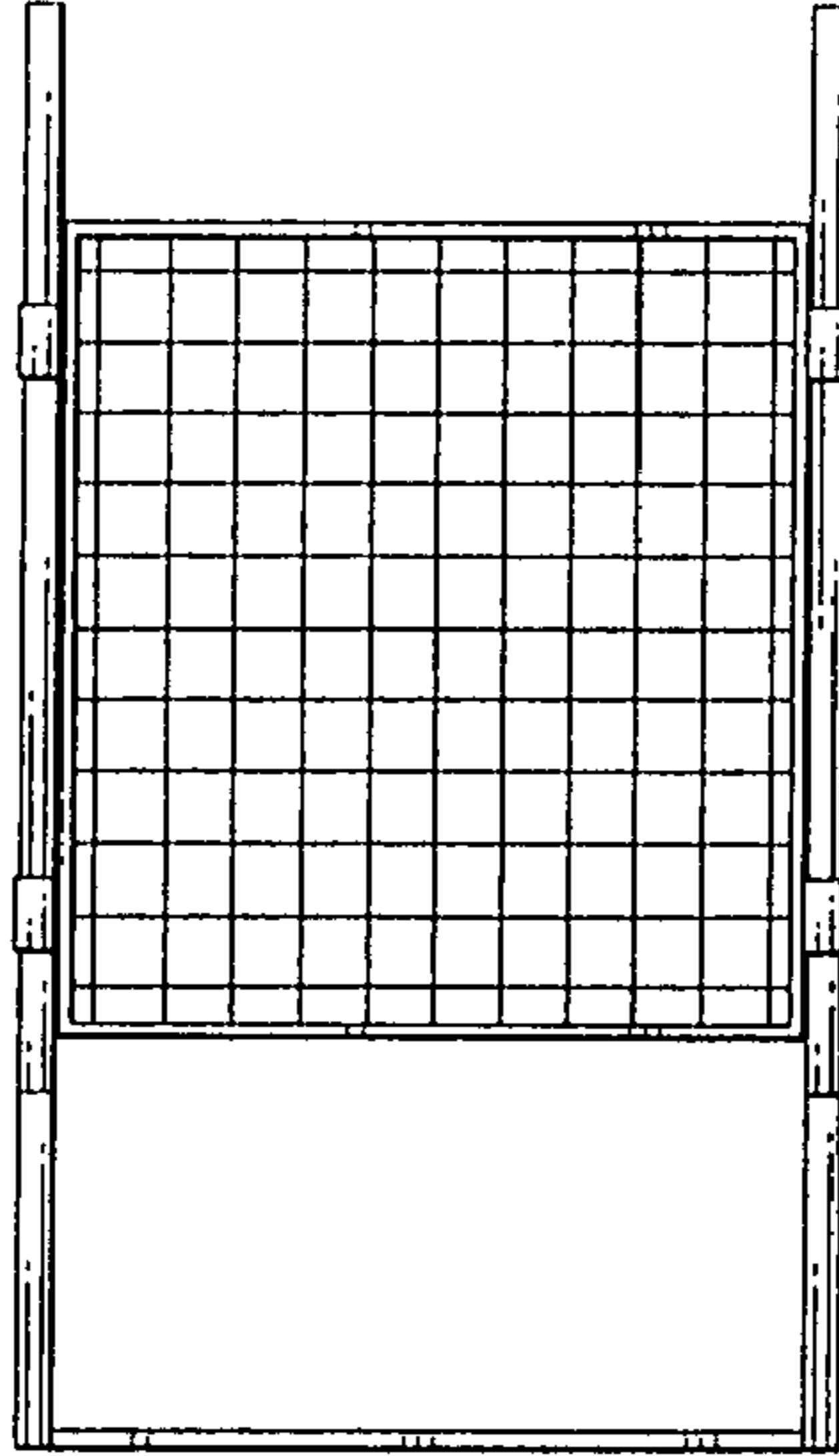


FIG.7

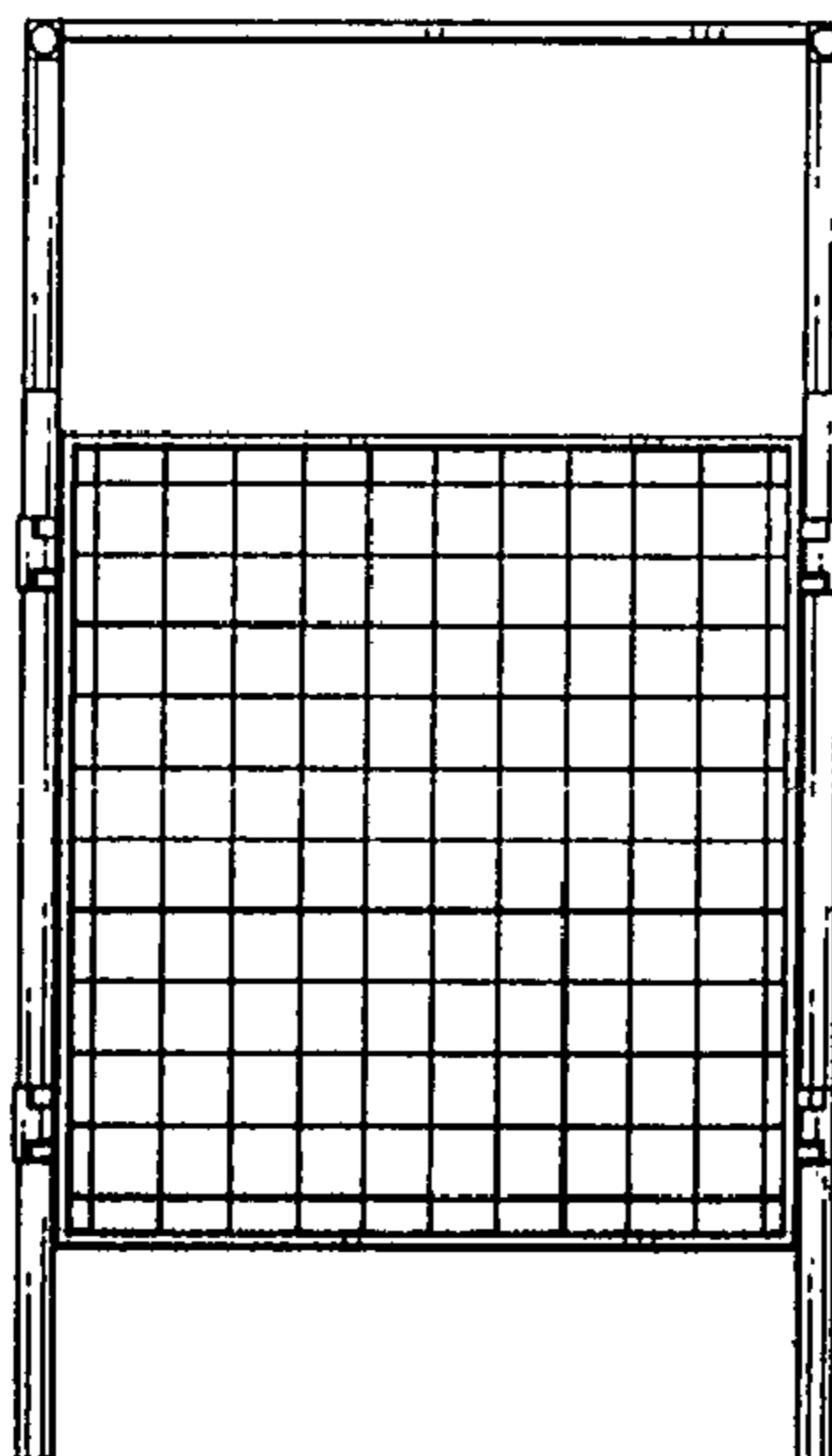


FIG.8

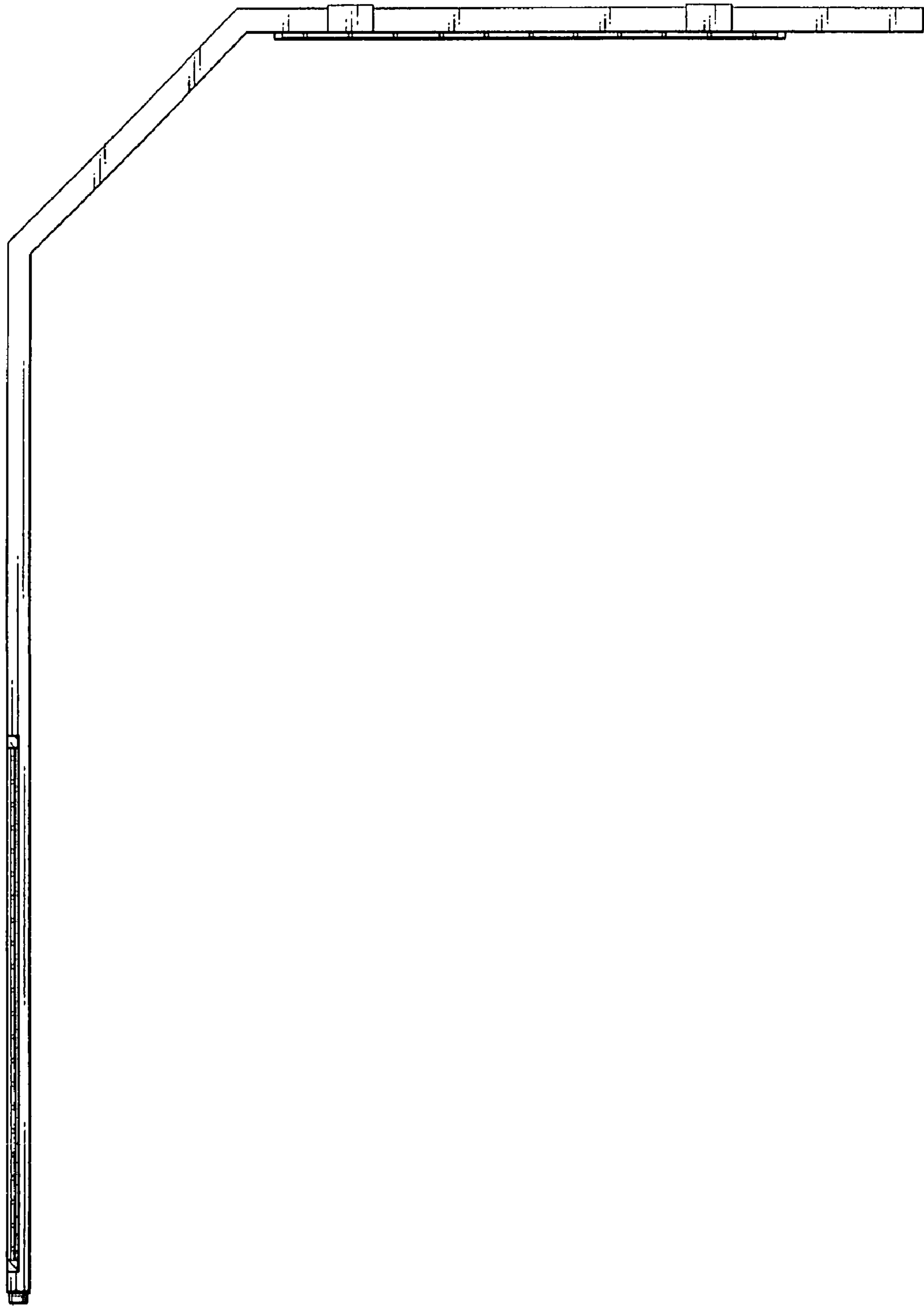


FIG.9

