



US00D564096S

(12) **United States Design Patent**
Banryu

(10) **Patent No.:** **US D564,096 S**
(45) **Date of Patent:** **** Mar. 11, 2008**

(54) **SCANNER FOR A MAGNETIC RESONANCE TOMOGRAPHY DIAGNOSIS APPARATUS**

D399,958 S 10/1998 Hiramatsu
D420,134 S * 2/2000 Kitayama D24/159
D457,885 S 5/2002 Yanagihara et al.
6,917,666 B2 * 7/2005 Wollenweber 378/20
D527,105 S 8/2006 Kitayama et al.

(75) Inventor: **Atsunobu Banryu**, Funabashi (JP)

(73) Assignees: **Kabushiki Kaisha Toshiba (JP);**
Toshiba Medical Systems Corporation
(JP)

FOREIGN PATENT DOCUMENTS

JP D1186202 9/2003

(**) Term: **14 Years**

* cited by examiner

(21) Appl. No.: **29/277,518**

Primary Examiner—Ian Simmons

Assistant Examiner—Anhdao Doan

(22) Filed: **Feb. 28, 2007**

(74) *Attorney, Agent, or Firm*—Banner & Witcoff, Ltd.

(30) **Foreign Application Priority Data**

Nov. 24, 2006 (JP) 2006-032215

(57) **CLAIM**

The ornamental design for a scanner for a magnetic resonance tomography diagnosis apparatus, as shown and described.

(51) **LOC (8) Cl.** **24-01**

(52) **U.S. Cl.** **D24/158**

(58) **Field of Classification Search** D24/158-161;
378/4, 19-21, 23, 25, 27, 146; 324/309,
324/318, 319

DESCRIPTION

See application file for complete search history.

FIG. 1 is a front, top and left side perspective view of a scanner for a magnetic resonance tomography diagnosis apparatus, showing my new design;

FIG. 2 is a front elevational view thereof;

FIG. 3 is a rear elevational view thereof;

FIG. 4 is a top plan view thereof;

FIG. 5 is a bottom plan view thereof;

FIG. 6 is a right side elevational view thereof; and,

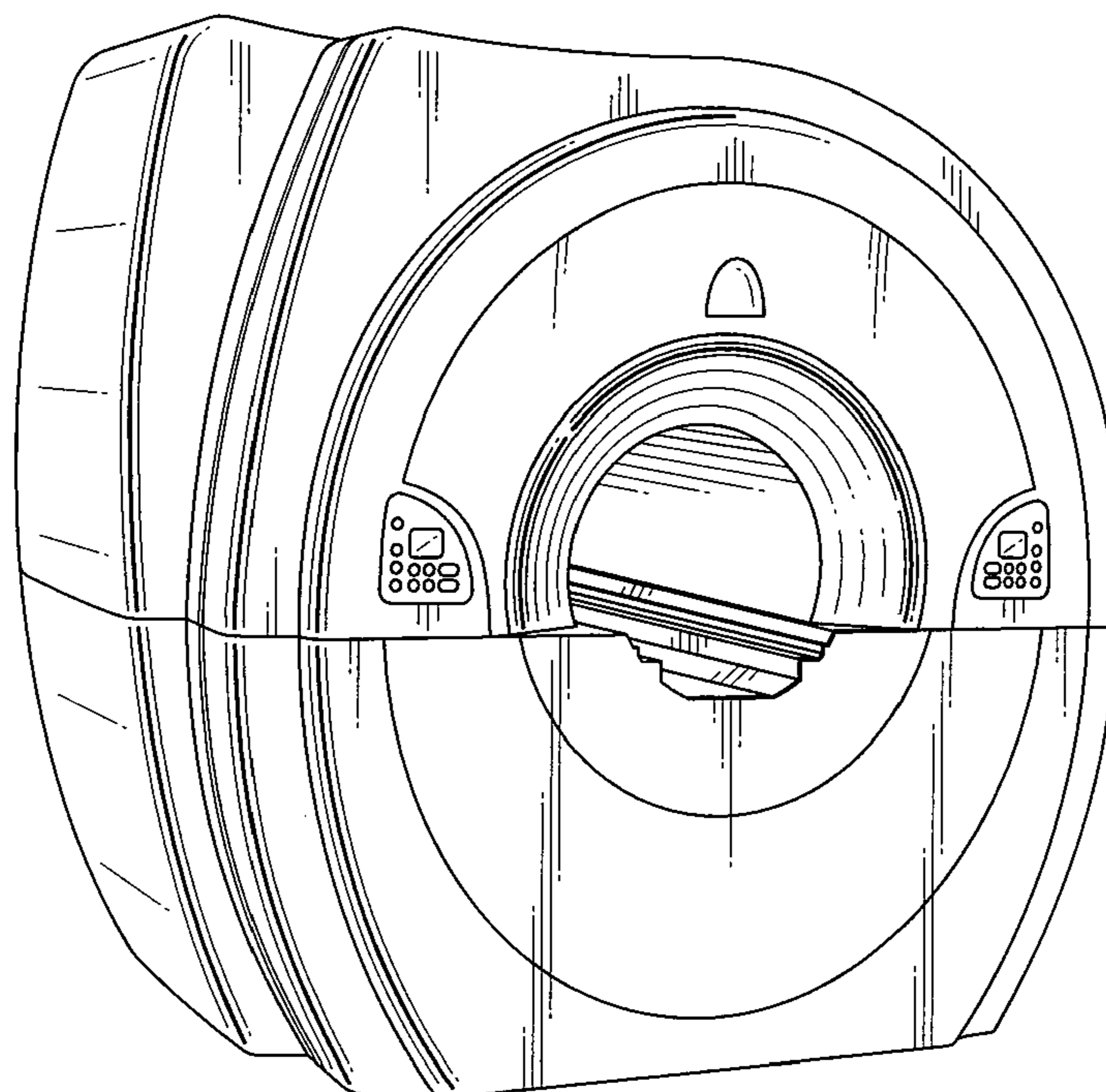
FIG. 7 is a left side elevational view thereof.

(56) **References Cited**

U.S. PATENT DOCUMENTS

D283,729 S 5/1986 Ramsey
D306,577 S 3/1990 Matsutani et al.
D318,726 S 7/1991 Takekoshi et al.
D323,711 S 2/1992 Takekoshi et al.
D325,632 S * 4/1992 Kogane et al. D24/158
D347,063 S 5/1994 Ariyoshi et al.
D364,927 S * 12/1995 Murakami et al. D24/159

1 Claim, 4 Drawing Sheets



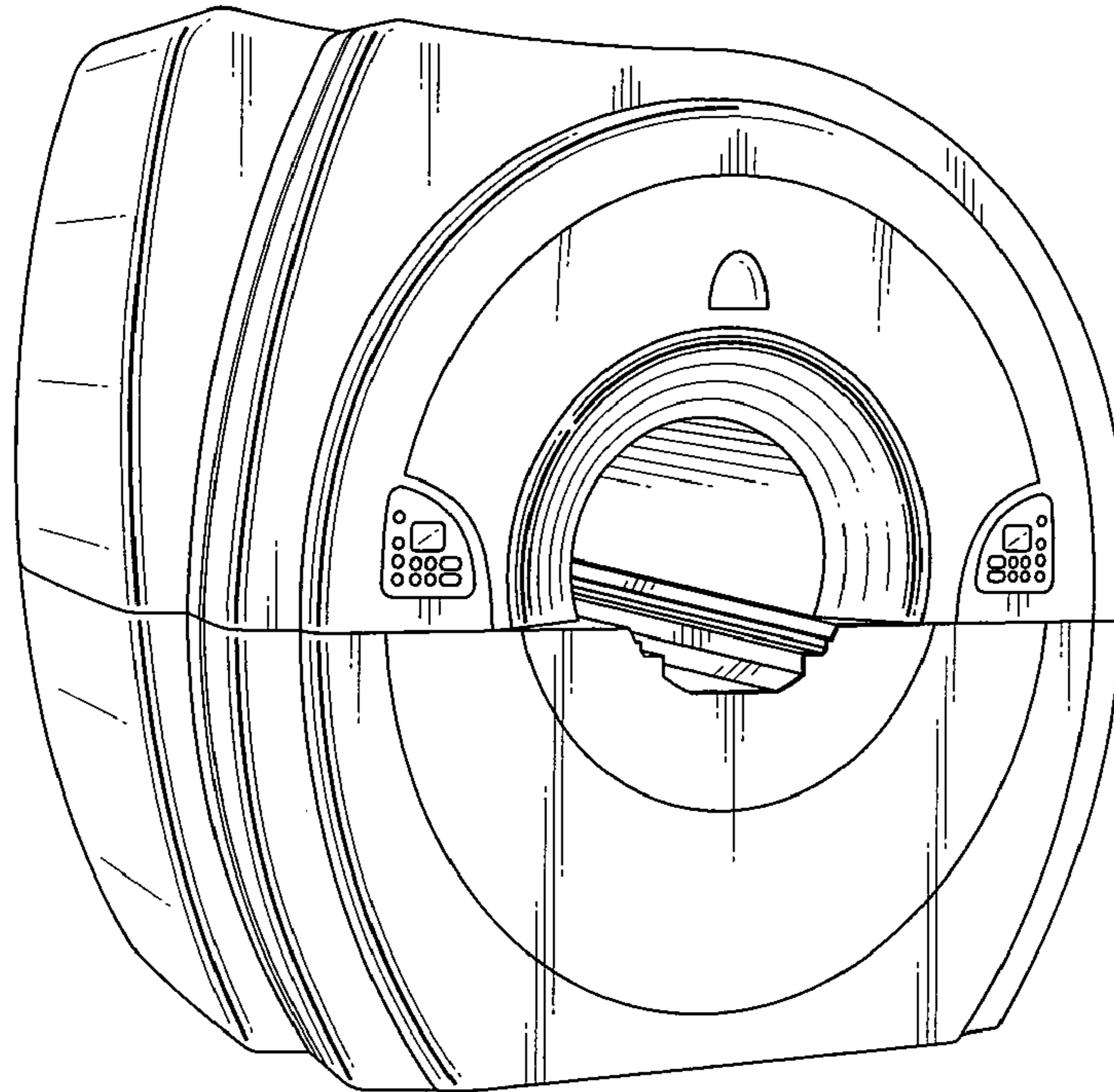


FIG. 1

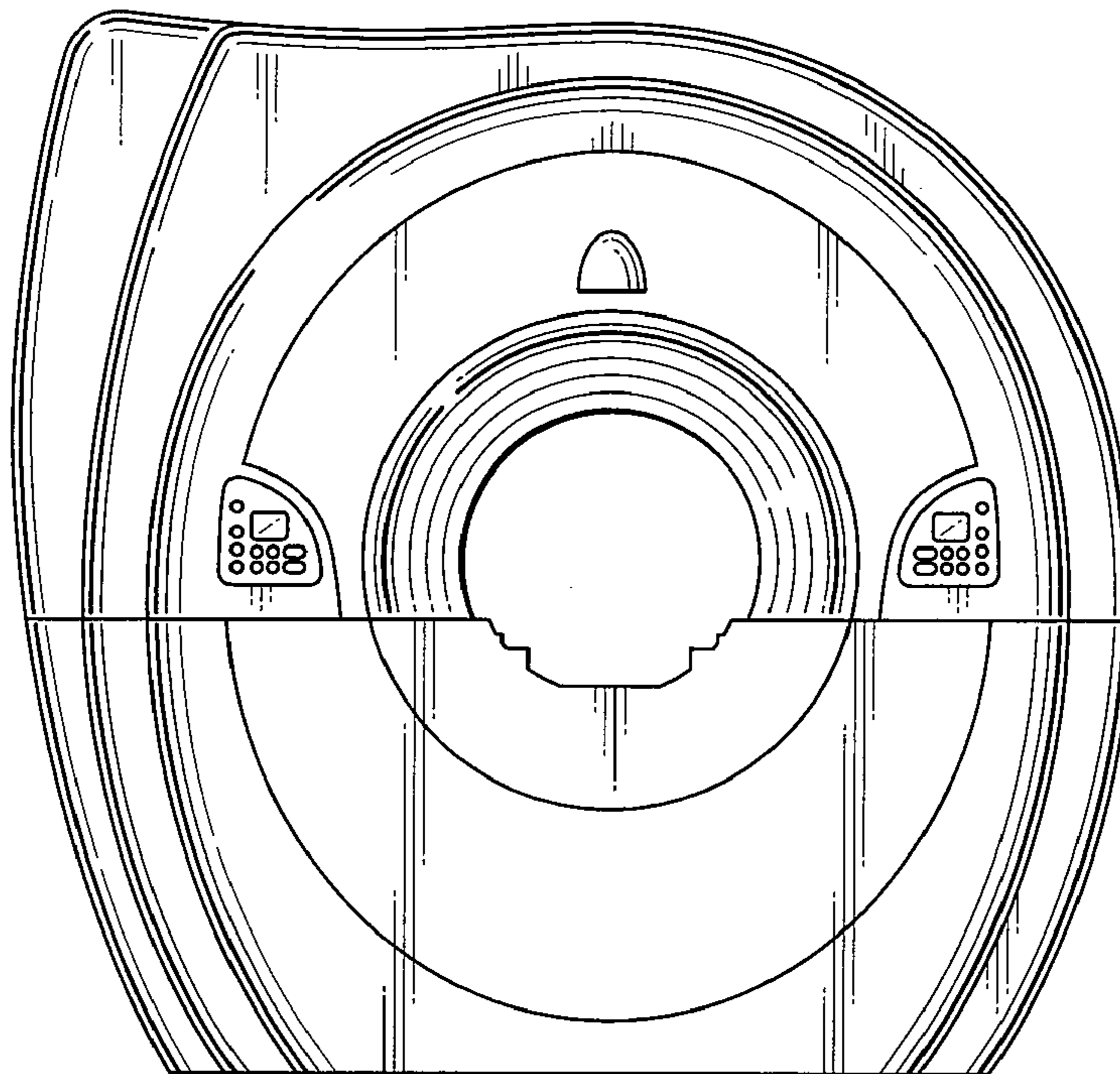


FIG. 2

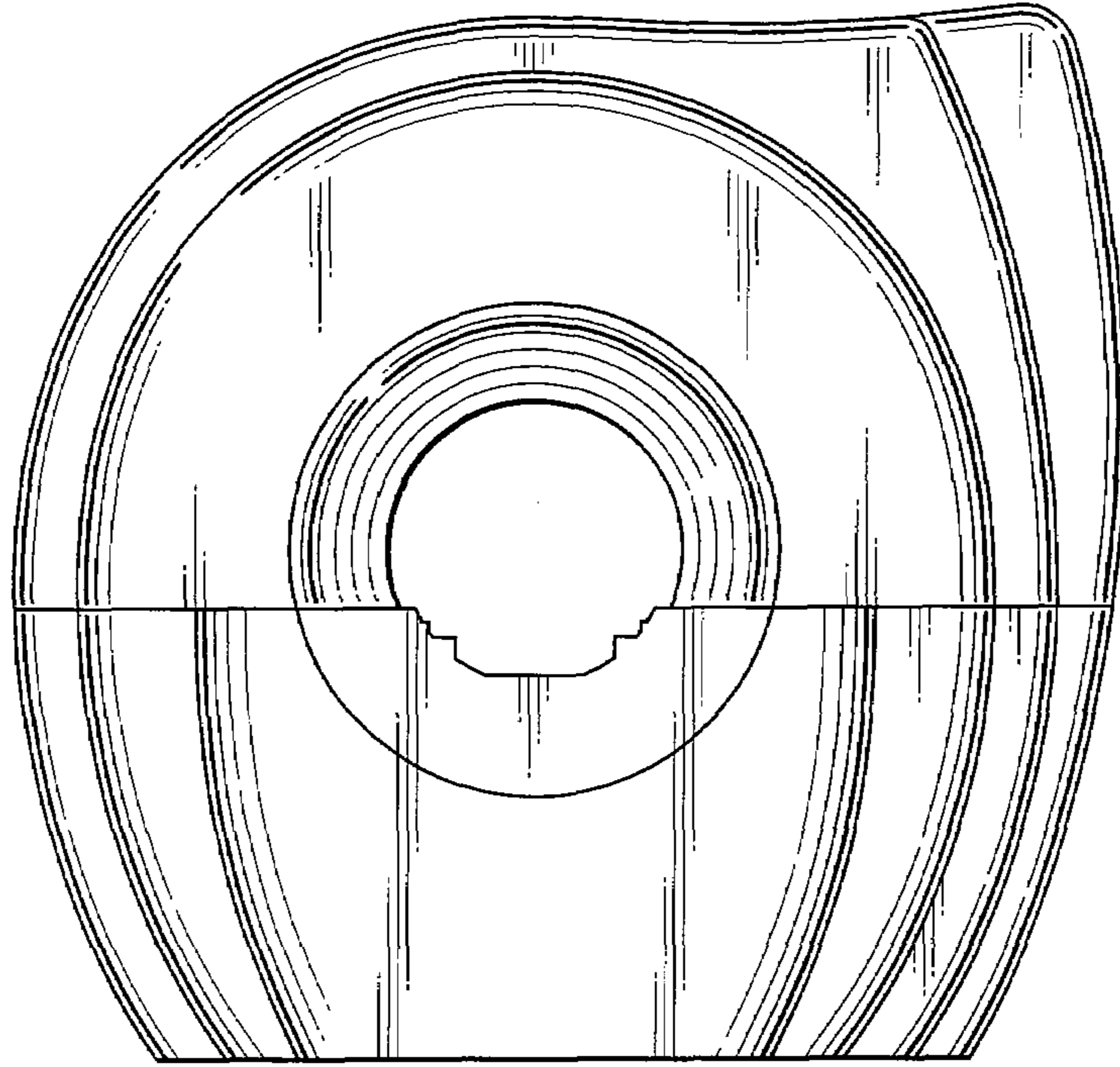


FIG.3

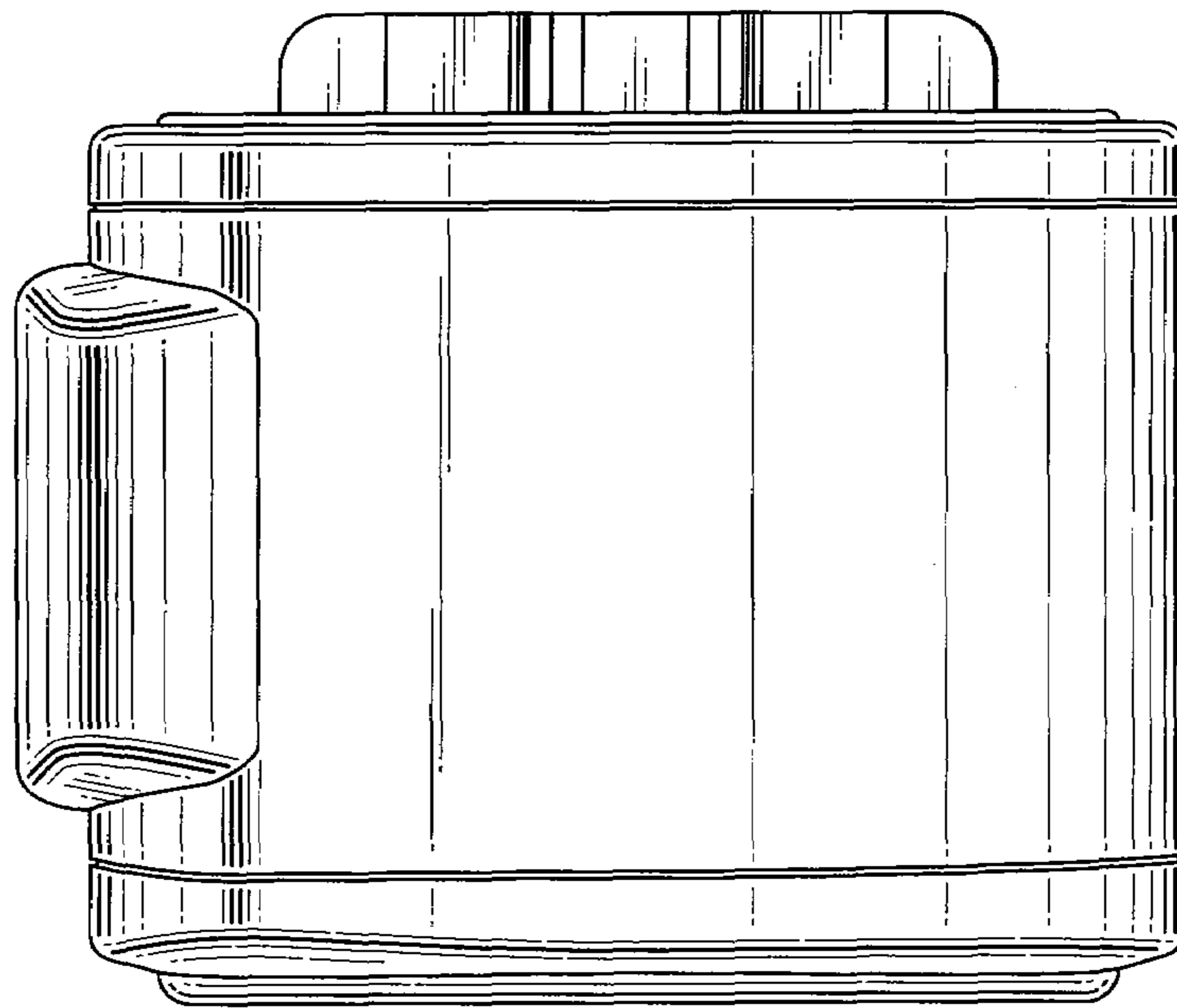


FIG.4

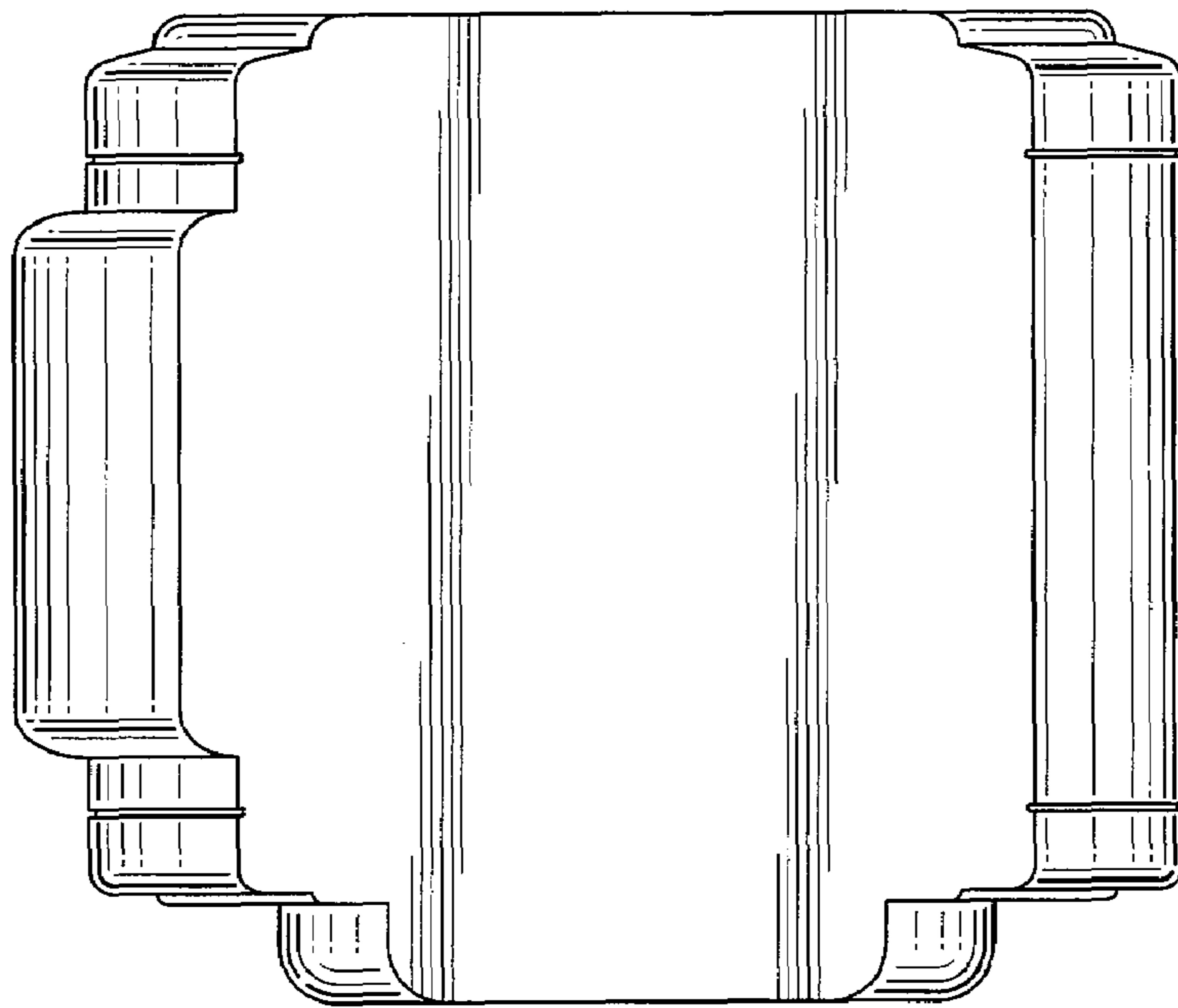


FIG. 5

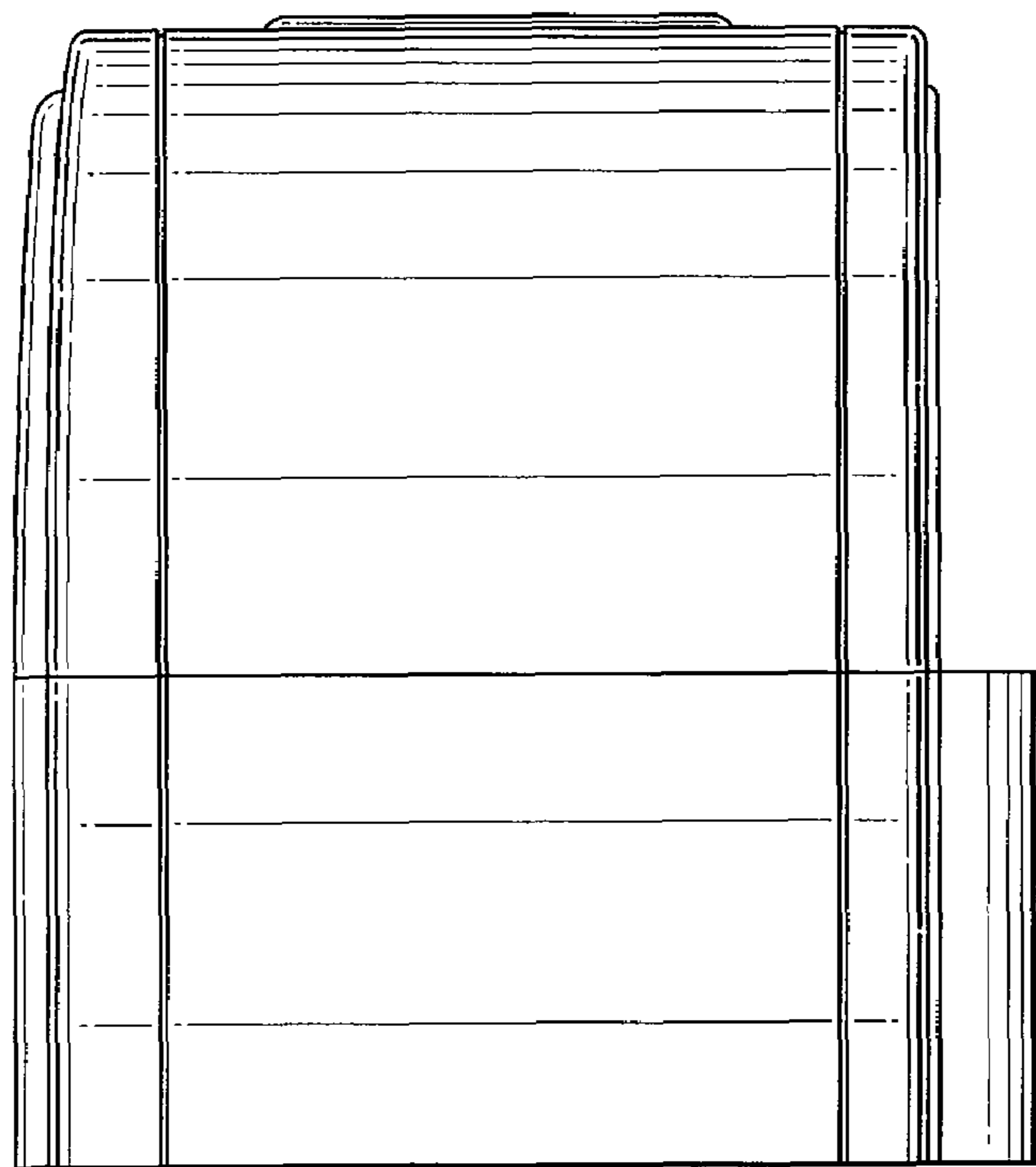


FIG. 6

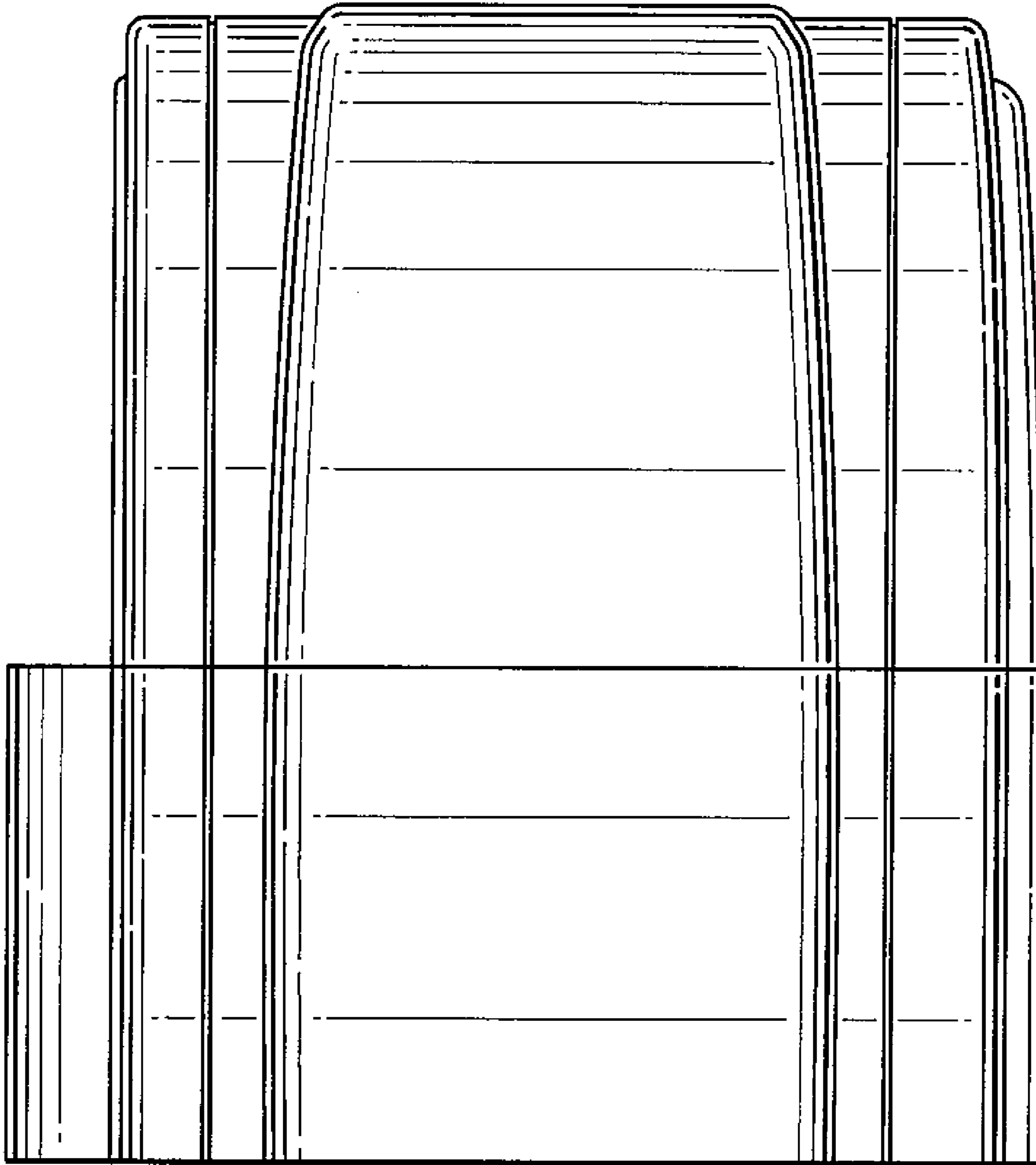


FIG. 7