

US00D564089S

(12) **United States Design Patent**
Chandran et al.

(10) **Patent No.:** **US D564,089 S**
(45) **Date of Patent:** **** Mar. 11, 2008**

(54) **VENTILATION INTERFACE**

2006/0174887 A1* 8/2006 Chandran et al. 128/206.11

(75) Inventors: **Sanjay Chandran**, Boca Raton, FL (US); **Shara Hernandez**, Davie, FL (US); **Louis Javier Collazo**, Atlanta, GA (US)

* cited by examiner

(73) Assignee: **Respcare, Inc.**, Coconut Creek, FL (US)

Primary Examiner—Ian Simmons
Assistant Examiner—Christopher Lee
(74) *Attorney, Agent, or Firm*—Maier & Maier, PLLC

(**) Term: **14 Years**

(57) **CLAIM**

(21) Appl. No.: **29/274,248**

The ornamental design for a ventilation interface, as shown and described.

(22) Filed: **Apr. 9, 2007**

Related U.S. Application Data

DESCRIPTION

(63) Continuation of application No. 29/245,378, filed on Dec. 23, 2005.

(51) **LOC (8) Cl.** **29-02**

(52) **U.S. Cl.** **D24/110.1; D24/110.4**

(58) **Field of Classification Search** D24/110, D24/110.1, 110.4, 110.5, 164; 128/206.11, 128/206.27, 207.11, 207.13, 207.17, 207.18
See application file for complete search history.

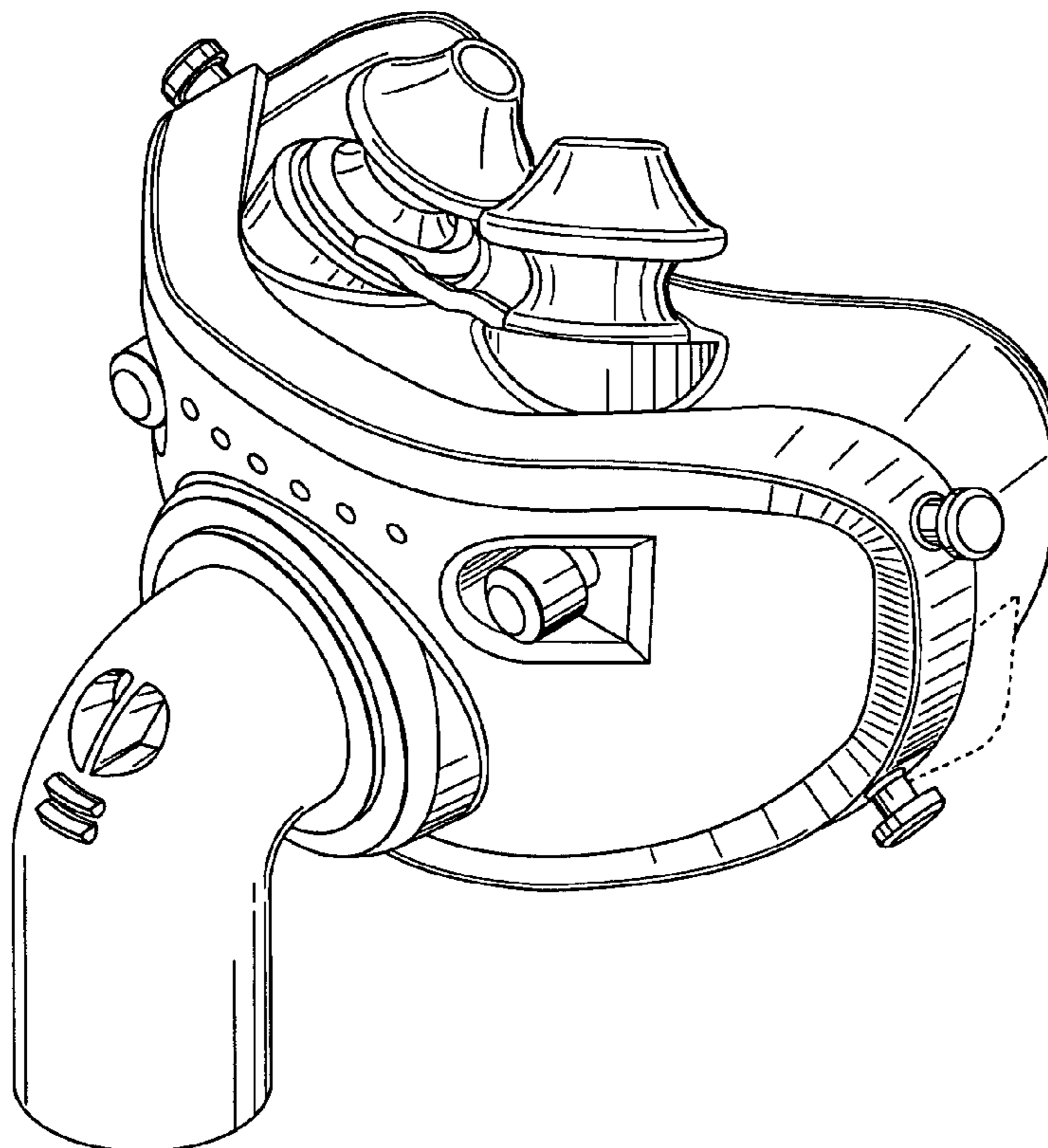
FIG. 1 is a top and right front perspective view of a ventilation interface, showing our design;
FIG. 2 is a right side view thereof;
FIG. 3 is a left side view thereof;
FIG. 4 is a front view thereof;
FIG. 5 is a rear view thereof;
FIG. 6 is a top view thereof; and,
FIG. 7 is a bottom view thereof.

(56) **References Cited**

U.S. PATENT DOCUMENTS

2006/0124131 A1* 6/2006 Chandran et al. 128/206.28

1 Claim, 4 Drawing Sheets



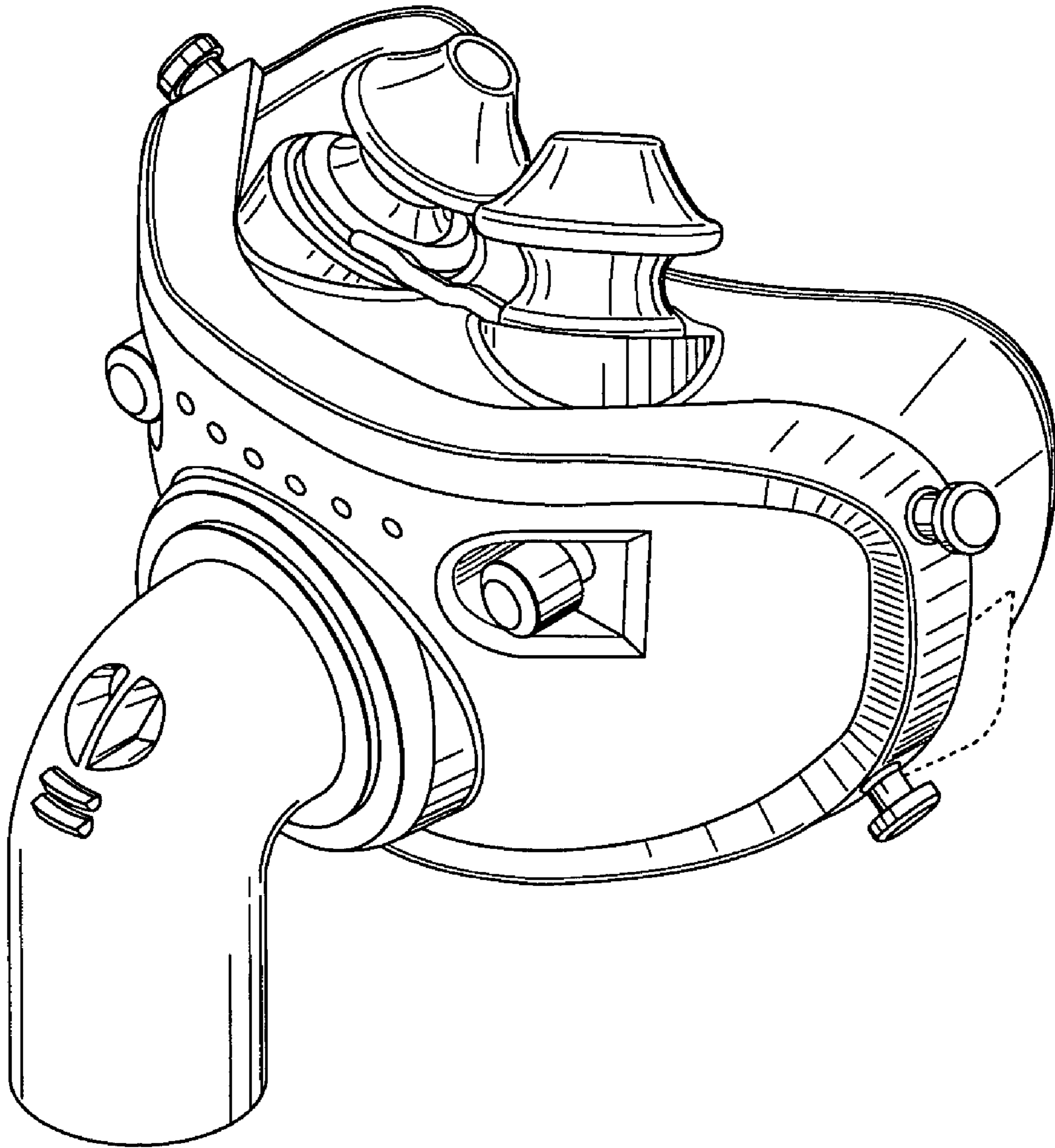


Fig. 1

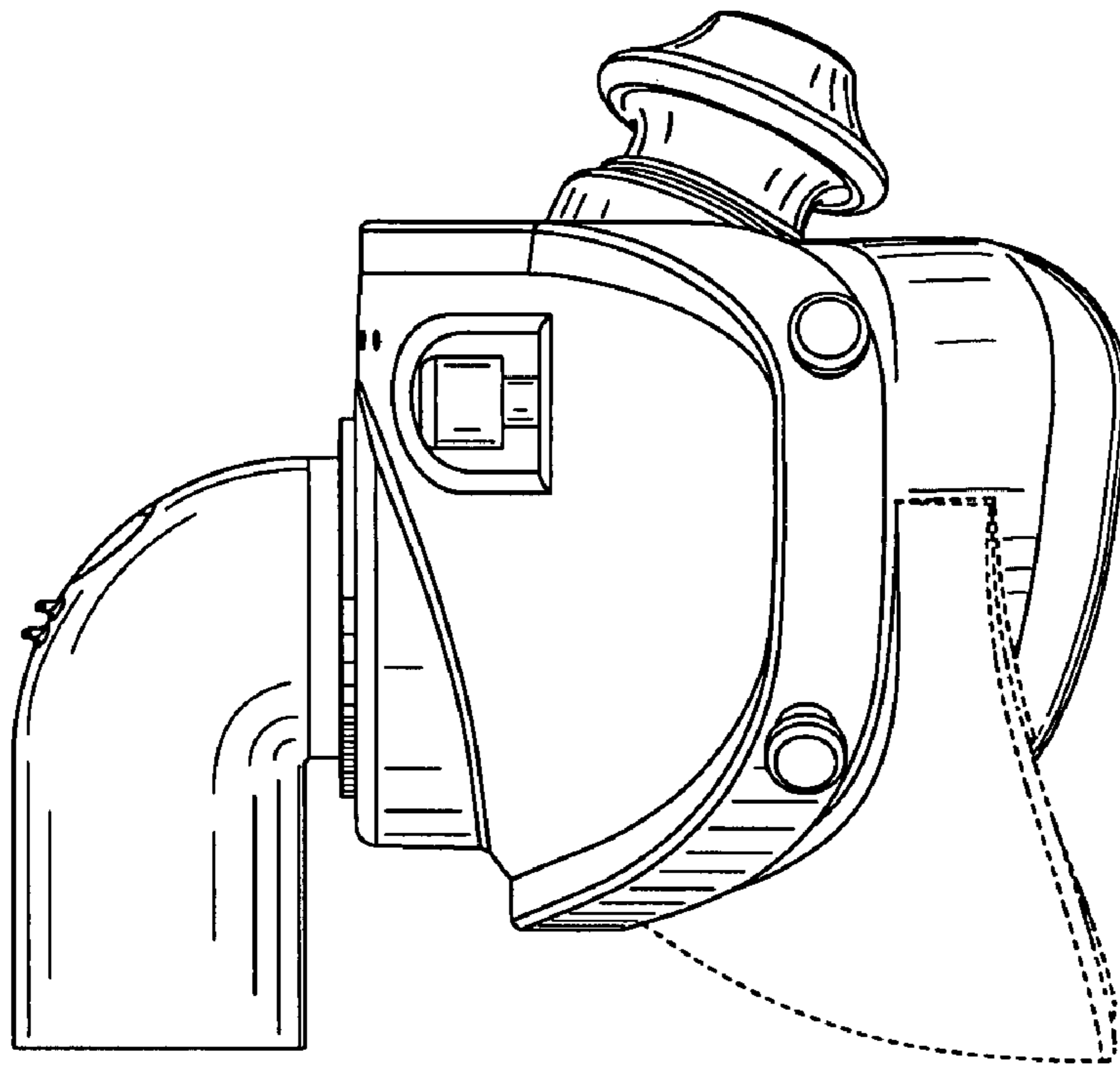


Fig. 2

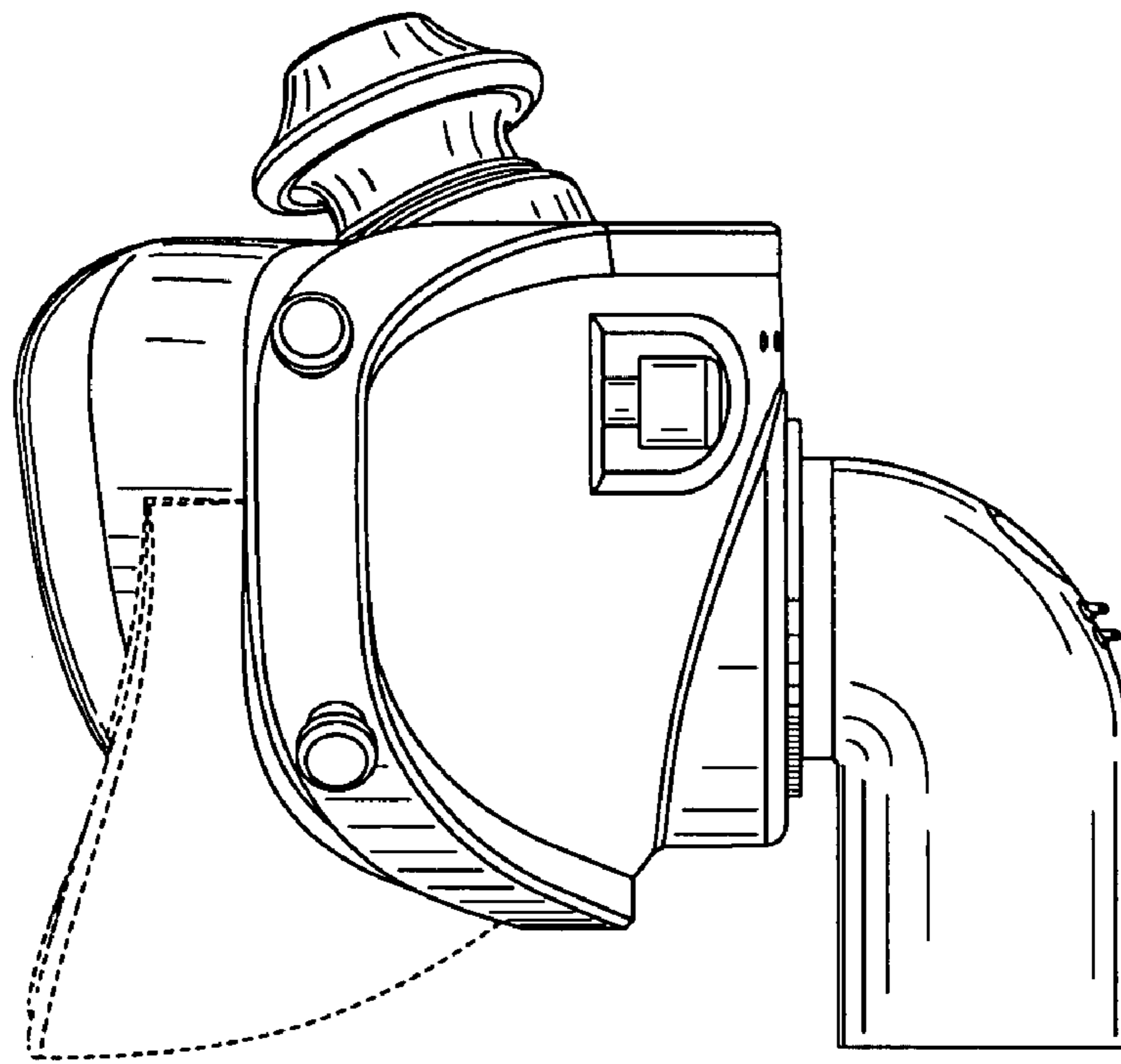


Fig. 3

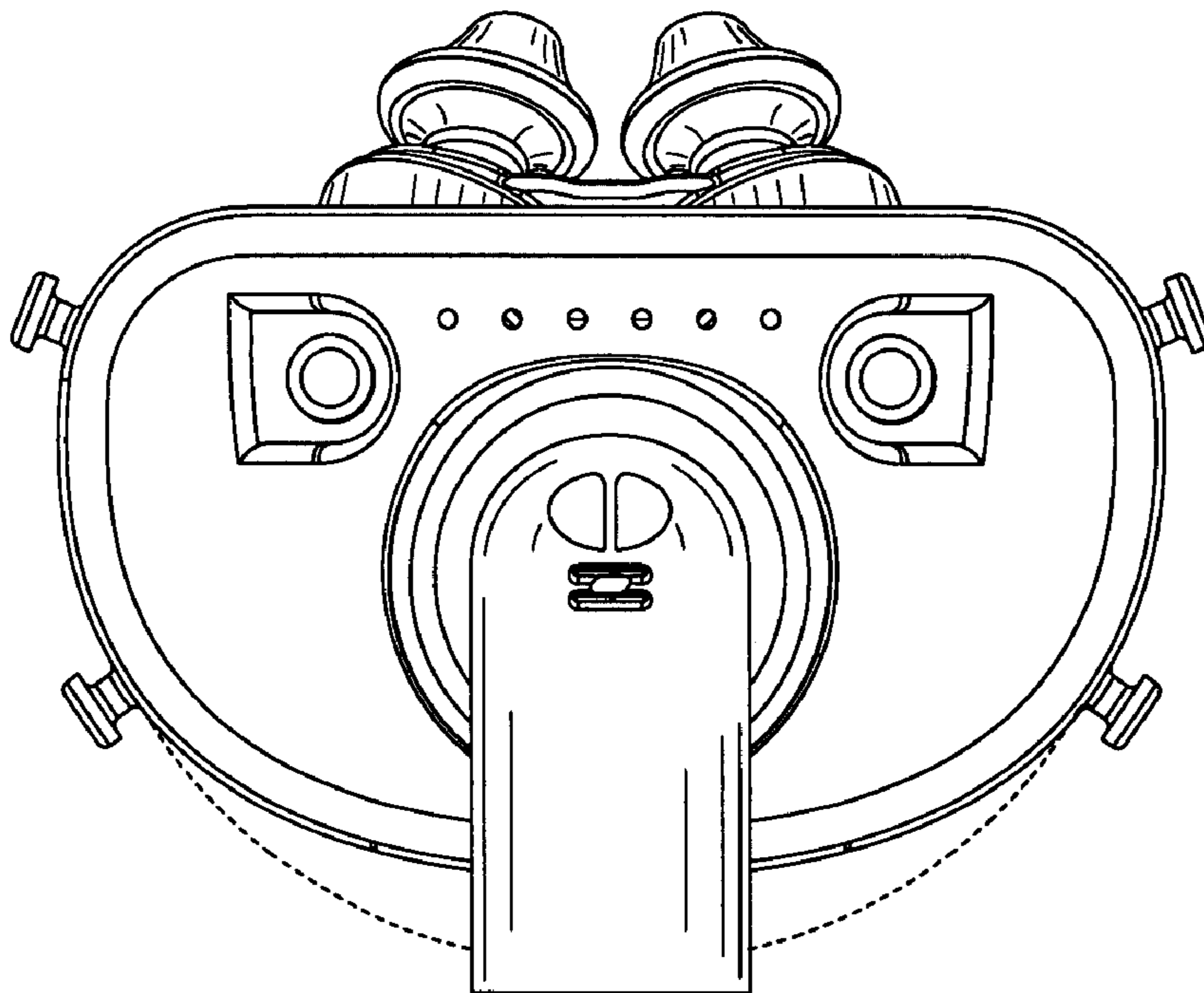


Fig. 4

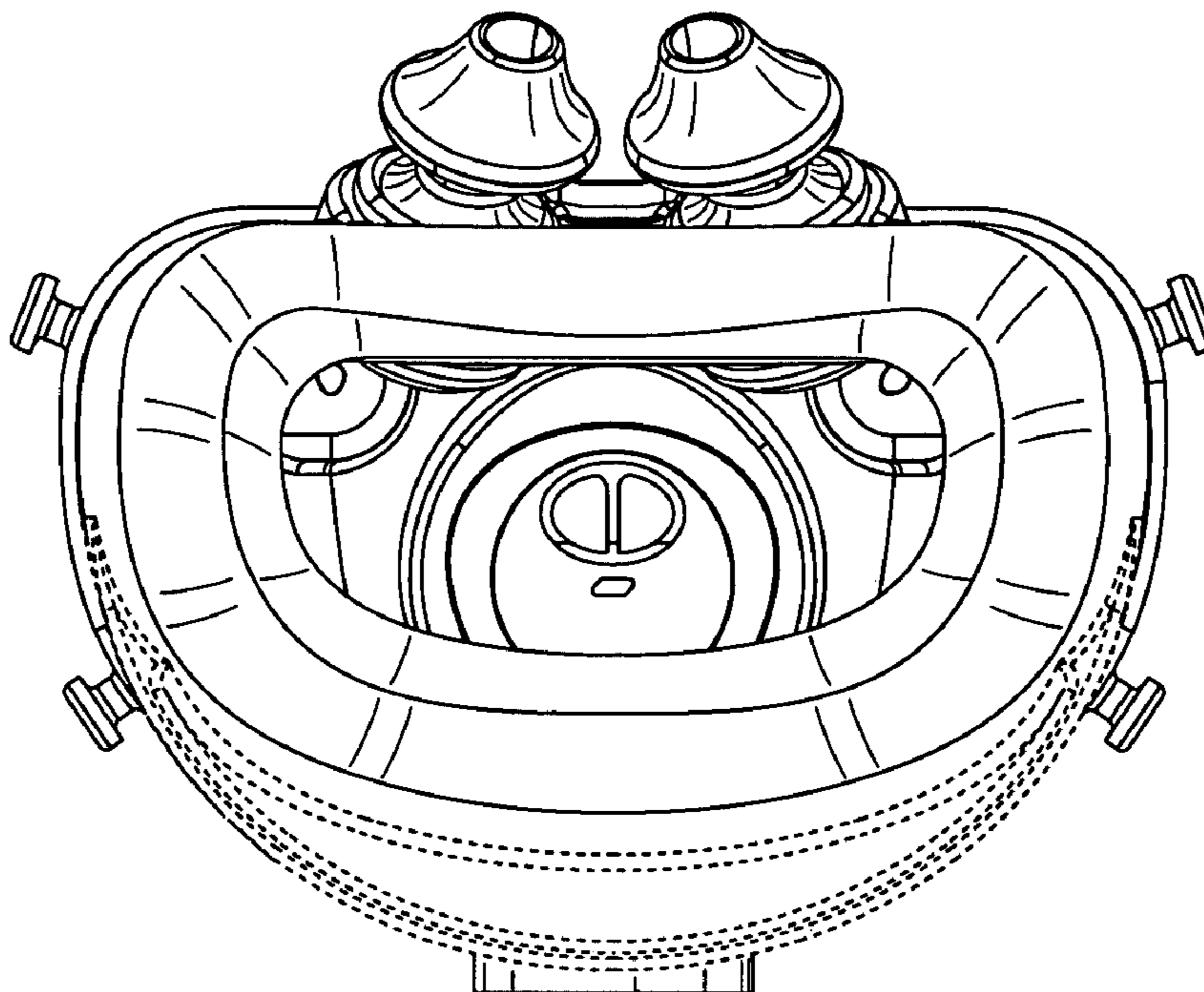


Fig. 5

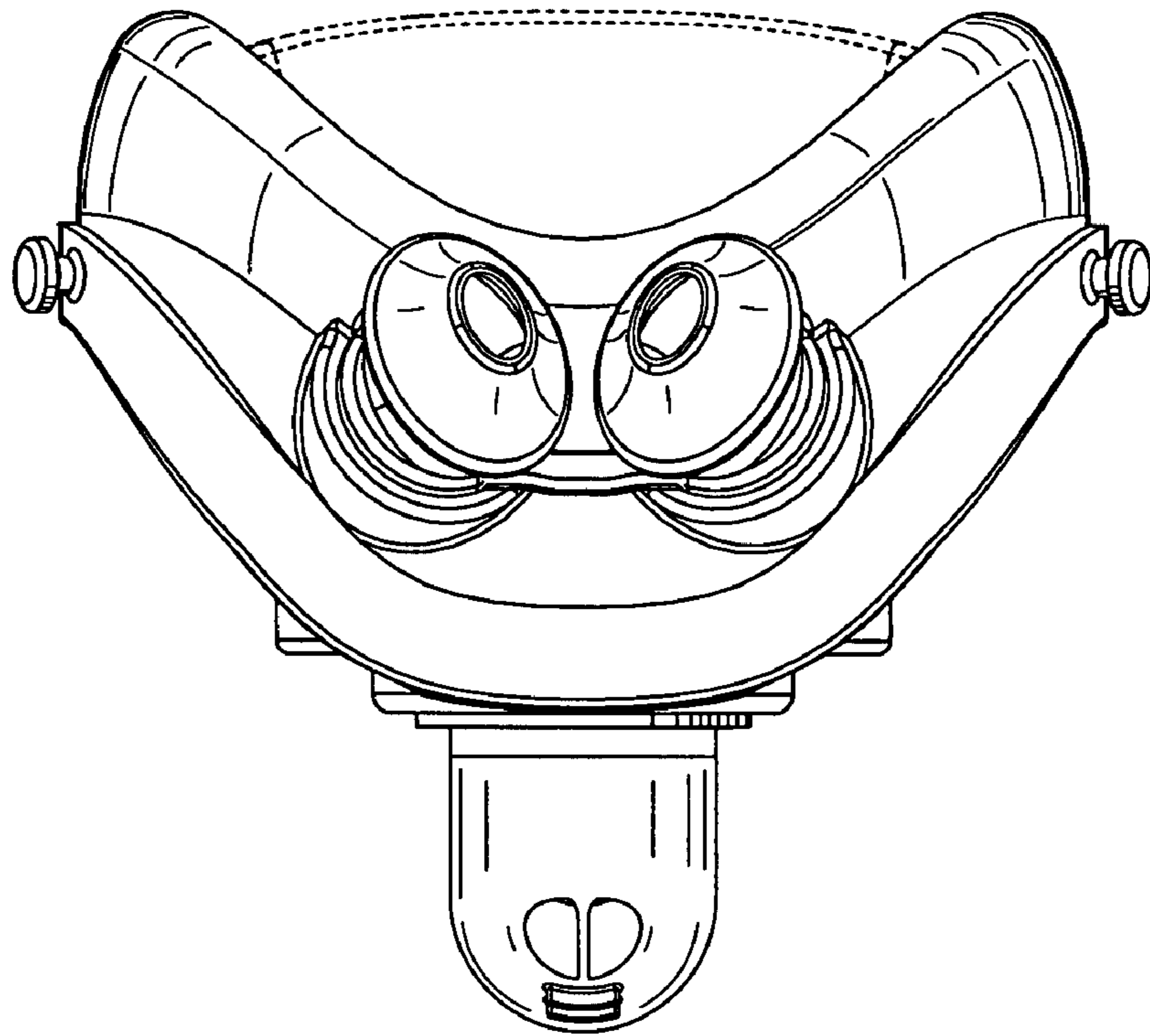


Fig. 6

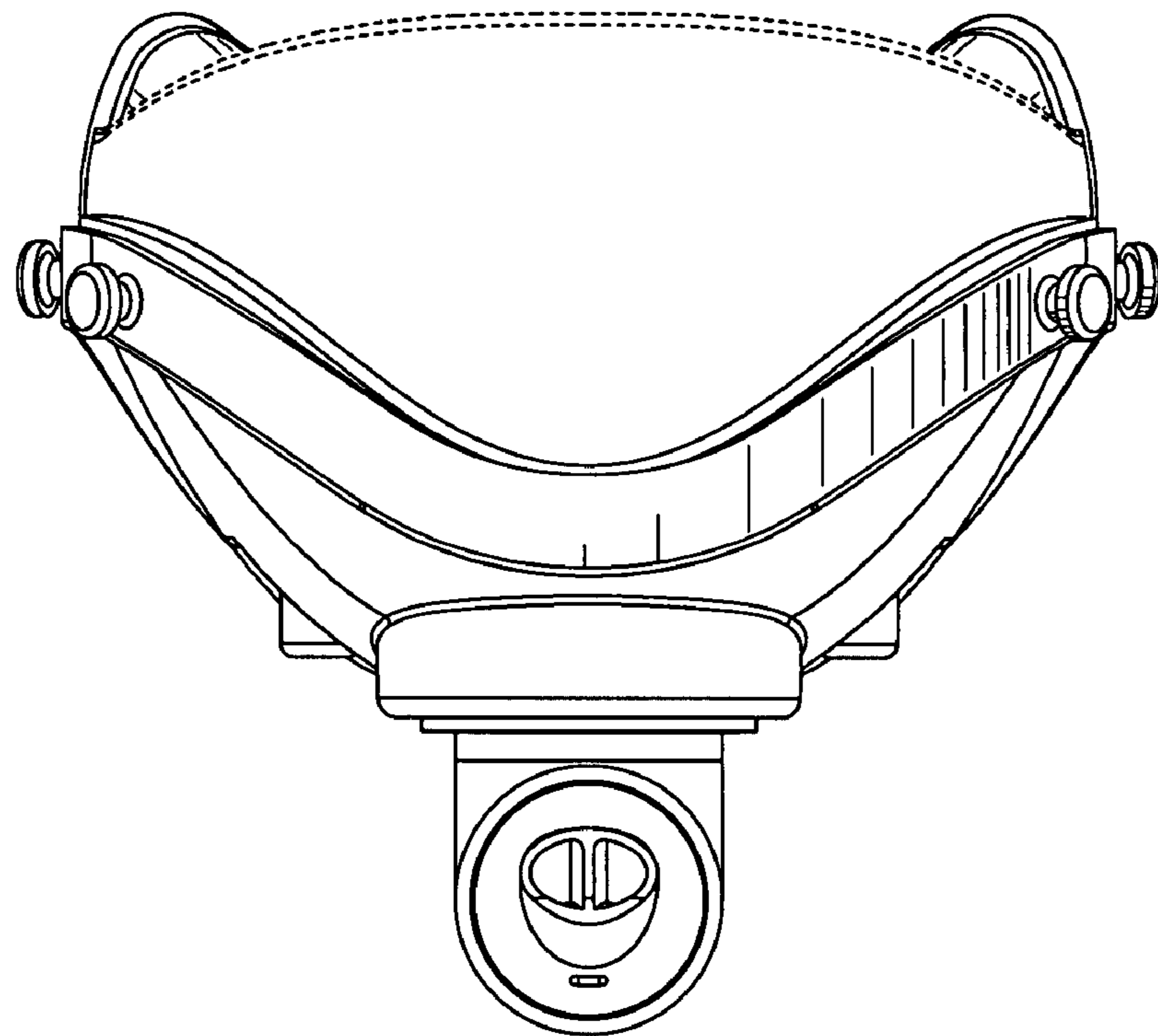


Fig. 7