



US00D564088S

(12) **United States Design Patent**
Stallard

(10) **Patent No.:** **US D564,088 S**

(45) **Date of Patent:** **** Mar. 11, 2008**

(54) **PORTION OF A PORT PLUG FOR A RESPIRATORY MASK**

2002/0157672 A1 10/2002 Gunaratnam et al.
2002/0118406 A1 6/2004 Lithgow et al.

(75) Inventor: **Philip Thomas Stallard**, Denistone East (AU)

OTHER PUBLICATIONS

Parent Application U.S. Appl. No. 29/251,704, filed Jan. 12, 2006.

(73) Assignee: **ResMed Limited**, Bella Vista (AU)

Primary Examiner—Charles A. Rademaker

Assistant Examiner—Christopher Lee

(**) Term: **14 Years**

(74) *Attorney, Agent, or Firm*—Nixon & Vanderhye P.C.

(21) Appl. No.: **29/272,816**

(57) **CLAIM**

(22) Filed: **Feb. 20, 2007**

The ornamental design for a portion of a port plug for a respiratory mask, as shown and described.

Related U.S. Application Data

DESCRIPTION

(63) Continuation of application No. 29/251,704, filed on Jan. 12, 2006, now abandoned.

FIG. 1 is a perspective view of a portion of a port plug for a respiratory mask showing my new design;

(51) **LOC (8) Cl.** **29-02**

FIG. 2 is a front view thereof;

(52) **U.S. Cl.** **D24/110.1; D24/110.4; D24/110.5**

FIG. 3 is a rear view thereof;

(58) **Field of Classification Search** D24/110.1, D24/110.4, 110.5; 128/205.25, 206.21, 206.26, 128/206.27, 207.11, 207.13, 207.17
See application file for complete search history.

FIG. 4 is a right side view thereof;

FIG. 5 is a top view thereof; and,

FIG. 6 is a bottom view thereof.

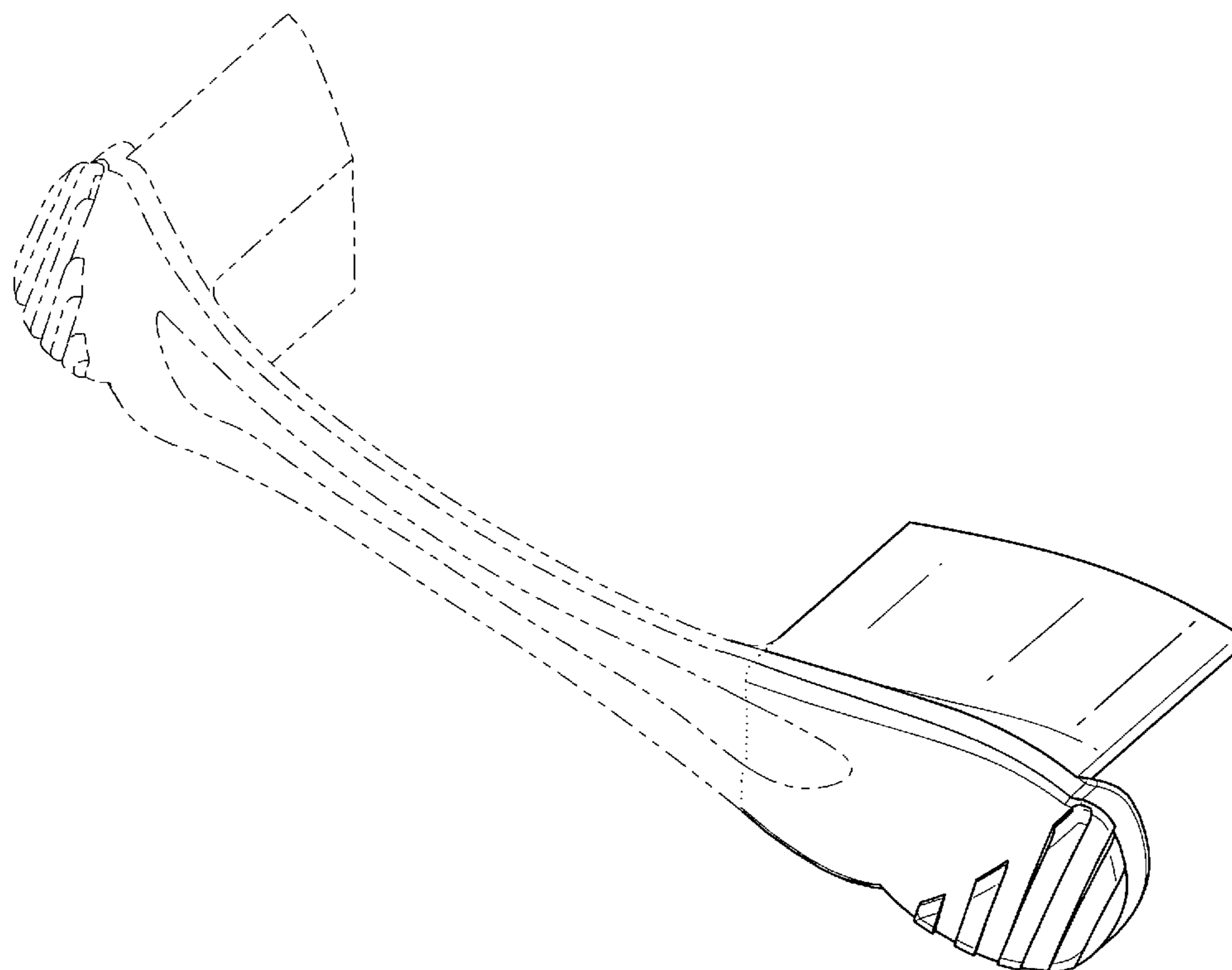
(56) **References Cited**

Where included, broken lines showing environment or structure are for illustrative purposes only and form no part of the claimed design. Where included, dotted lines represent the border between claimed and unclaimed subject matter and form no part of the claimed design.

U.S. PATENT DOCUMENTS

6,439,230 B1 8/2002 Gunaratnam et al.
D486,907 S 2/2004 Guney et al.
D519,207 S 4/2006 Raje et al.

1 Claim, 3 Drawing Sheets



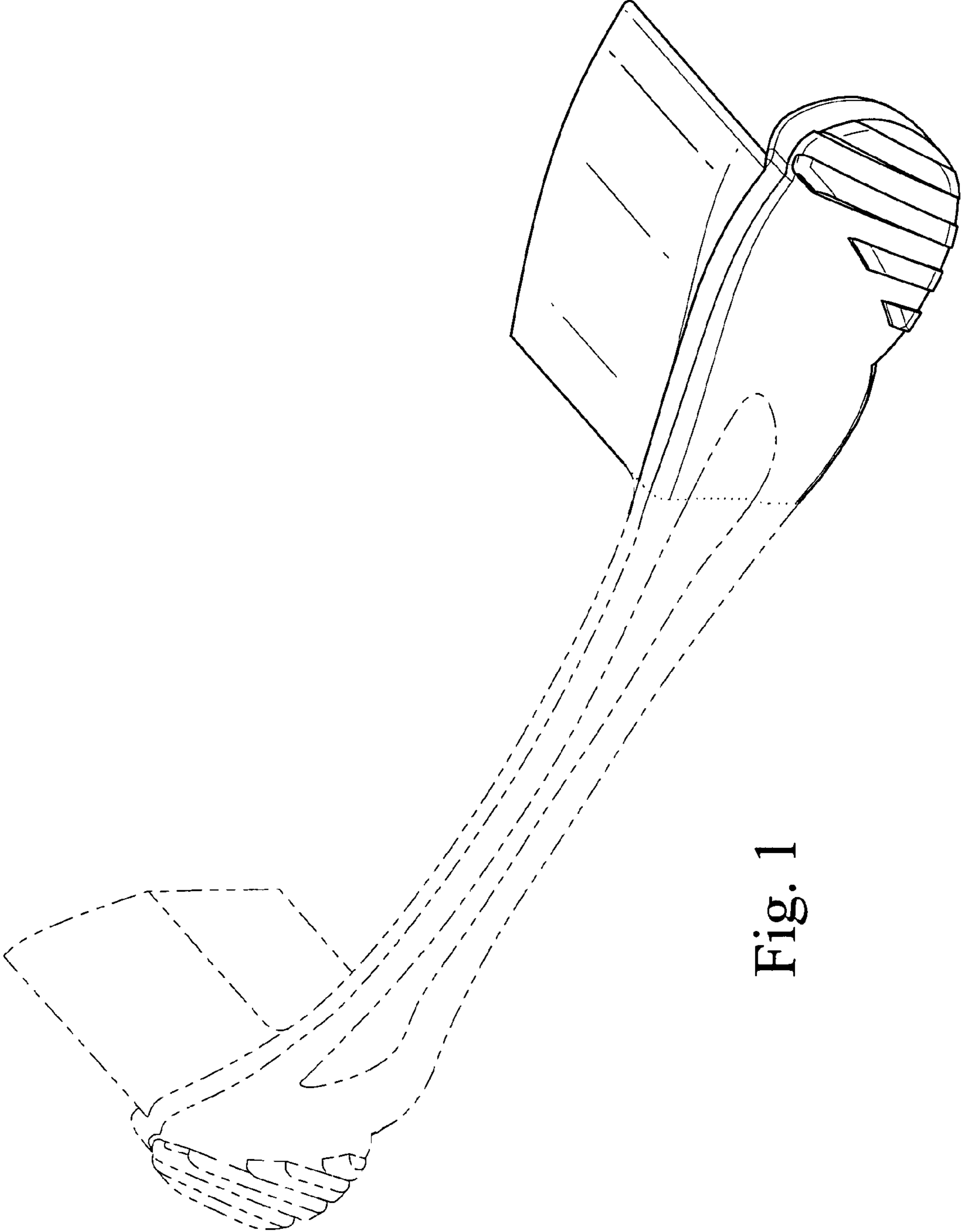


Fig. 1

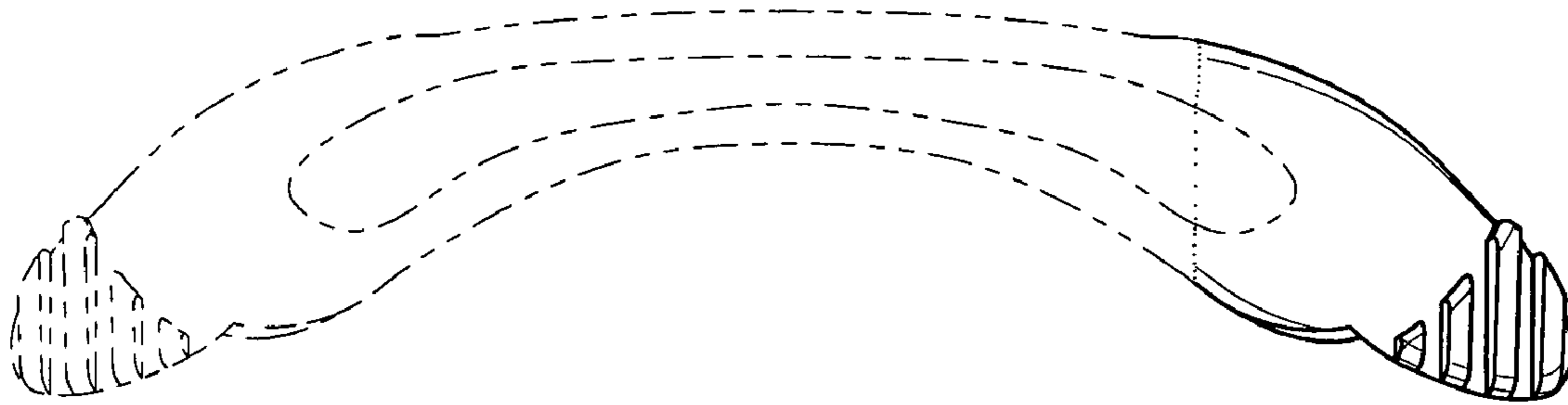


Fig. 2

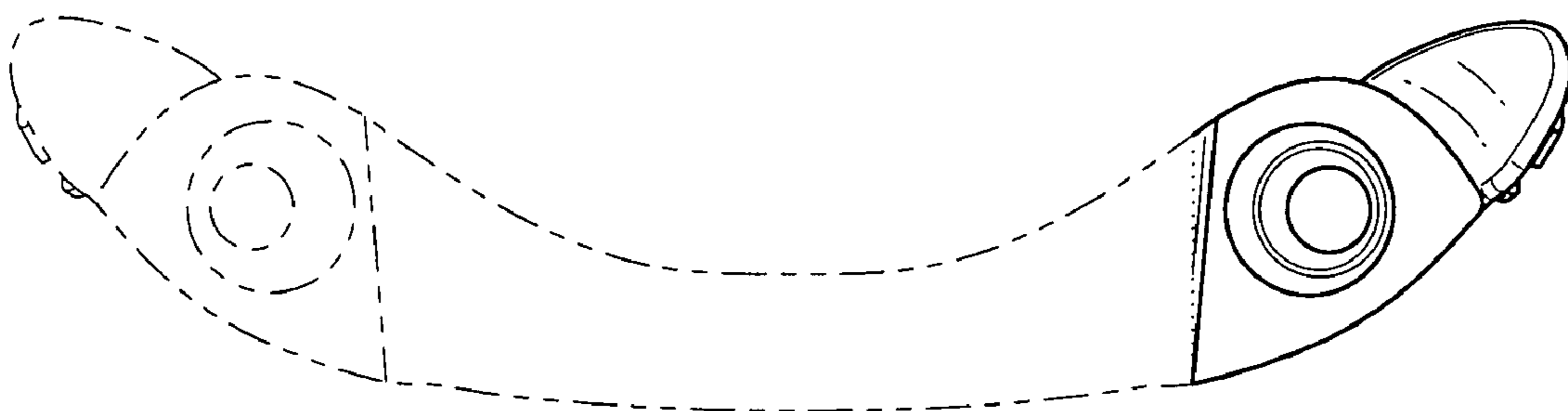


Fig. 3

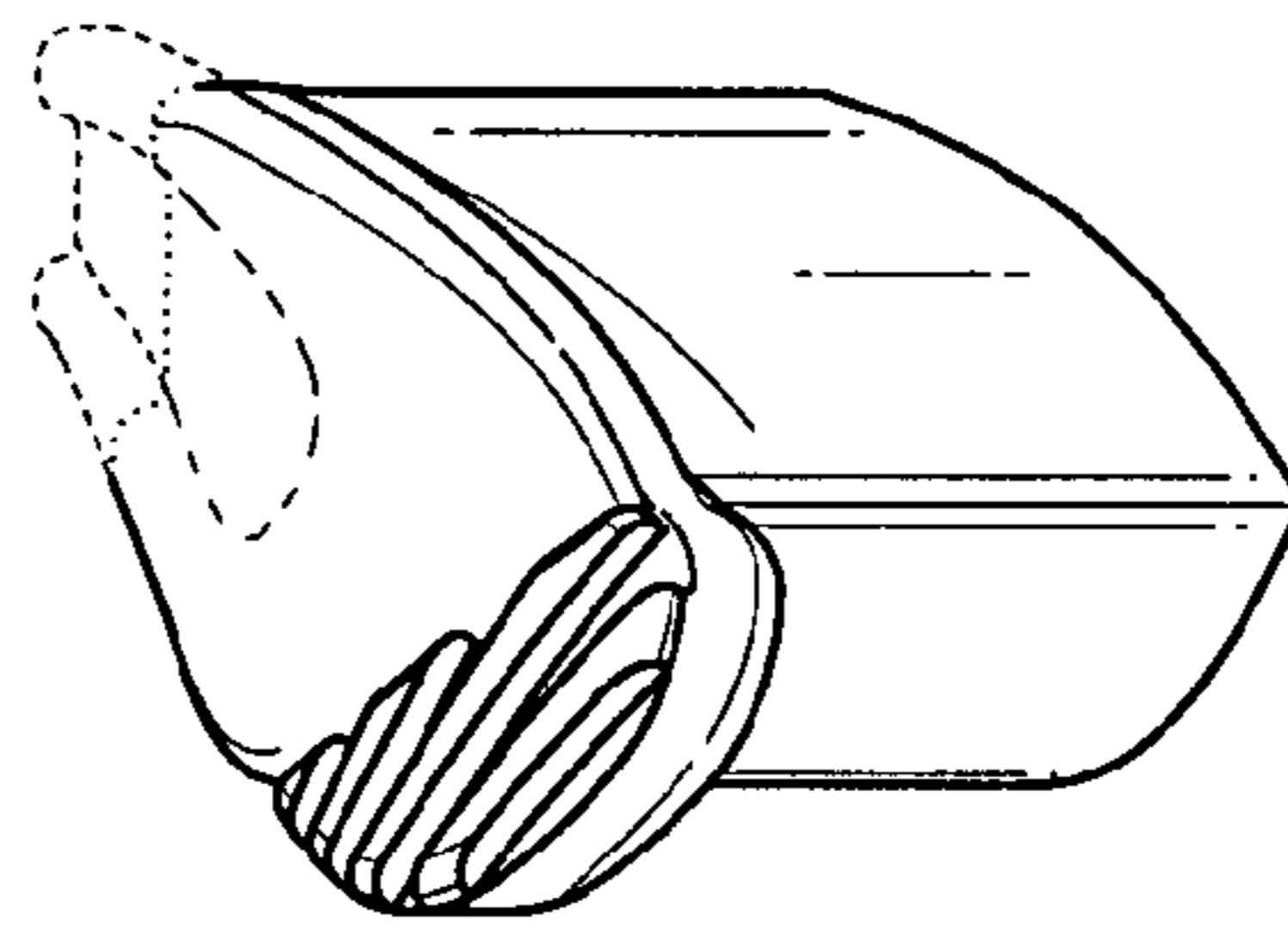


Fig. 4

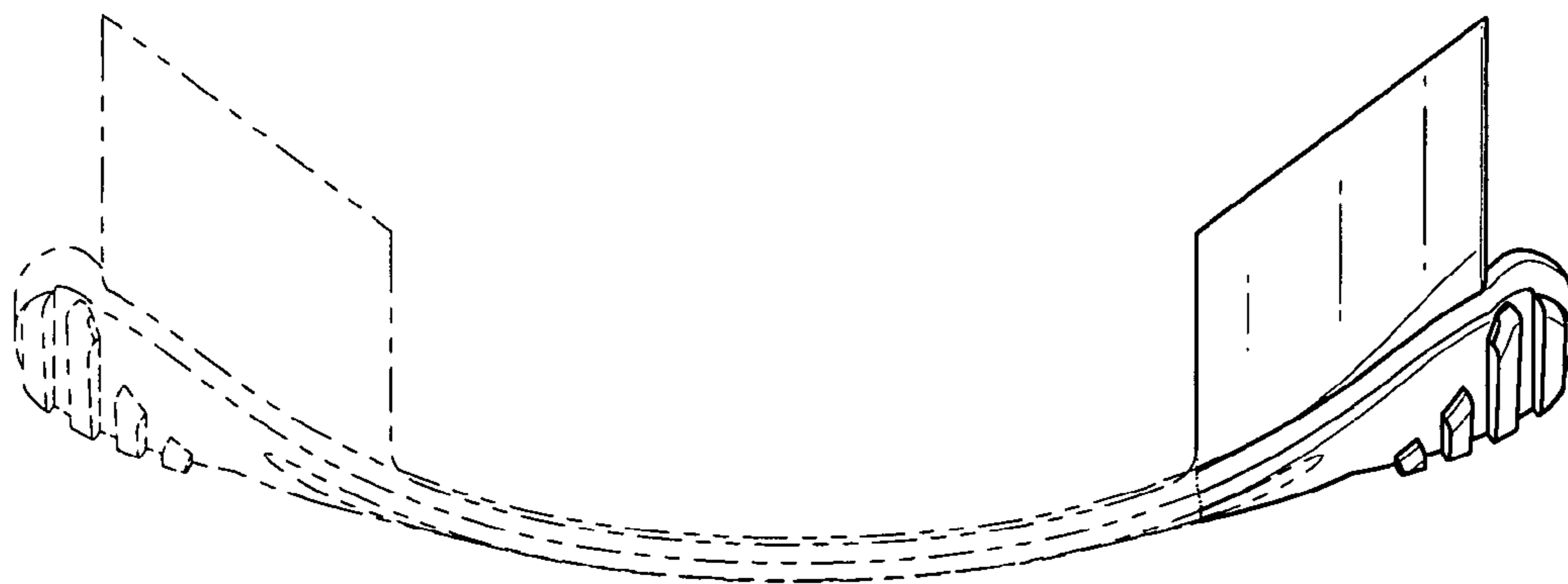


Fig. 5

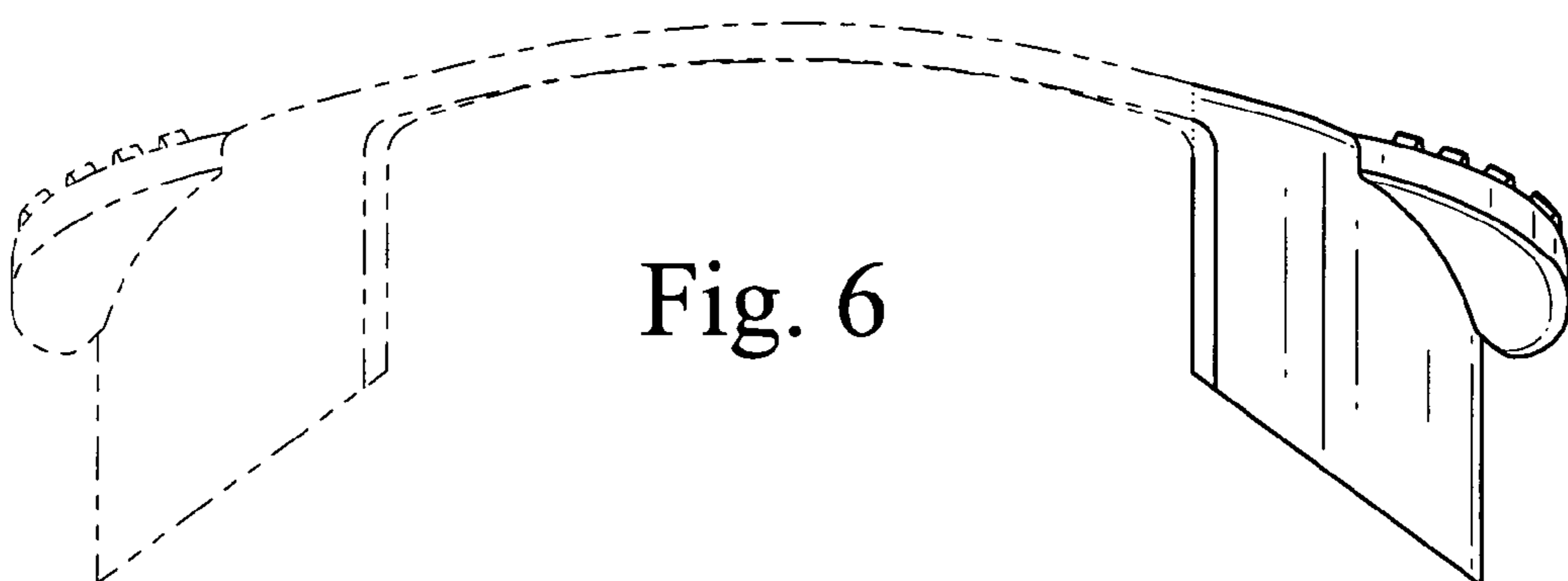


Fig. 6