



US00D564085S

(12) **United States Design Patent**
Huang

(10) **Patent No.:** **US D564,085 S**
(45) **Date of Patent:** **** Mar. 11, 2008**

(54) **HEAT DISSIPATOR**

7,218,518 B2 * 5/2007 Chin et al. 361/697

(75) Inventor: **Yi-He Huang**, Chung-Ho (TW)

* cited by examiner

(73) Assignee: **Cooler Master Co., Ltd.**, Taipei (TW)

Primary Examiner—Lisa Lichtenstein

(**) Term: **14 Years**

(57) **CLAIM**

(21) Appl. No.: **29/249,307**

The ornamental design for a heat dissipator, as shown and described.

(22) Filed: **Sep. 29, 2006**

DESCRIPTION

(30) **Foreign Application Priority Data**

Jun. 1, 2006 (TW) 95302985

FIG. 1 is a perspective view of a heat dissipator showing my new design;

(51) **LOC (8) Cl.** **23-04**

FIG. 2 is a front view thereof;

(52) **U.S. Cl.** **D23/411**

FIG. 3 is a rear view thereof;

(58) **Field of Classification Search** D23/370,

FIG. 4 is a left side view thereof;

D23/411, 377; 415/176, 177, 178, 211.2;

FIG. 5 is a right side view thereof;

361/697, 695; 165/80.3, 121

FIG. 6 is a top view thereof;

See application file for complete search history.

FIG. 7 is a bottom view thereof; and,

(56) **References Cited**

FIG. 8 is a perspective view showing the heat dissipator in use.

U.S. PATENT DOCUMENTS

D481,452 S * 10/2003 Luo D23/377

The broken line showing of heat pipes is included for the purpose of illustrating environmental structure and forms no part of the claimed design.

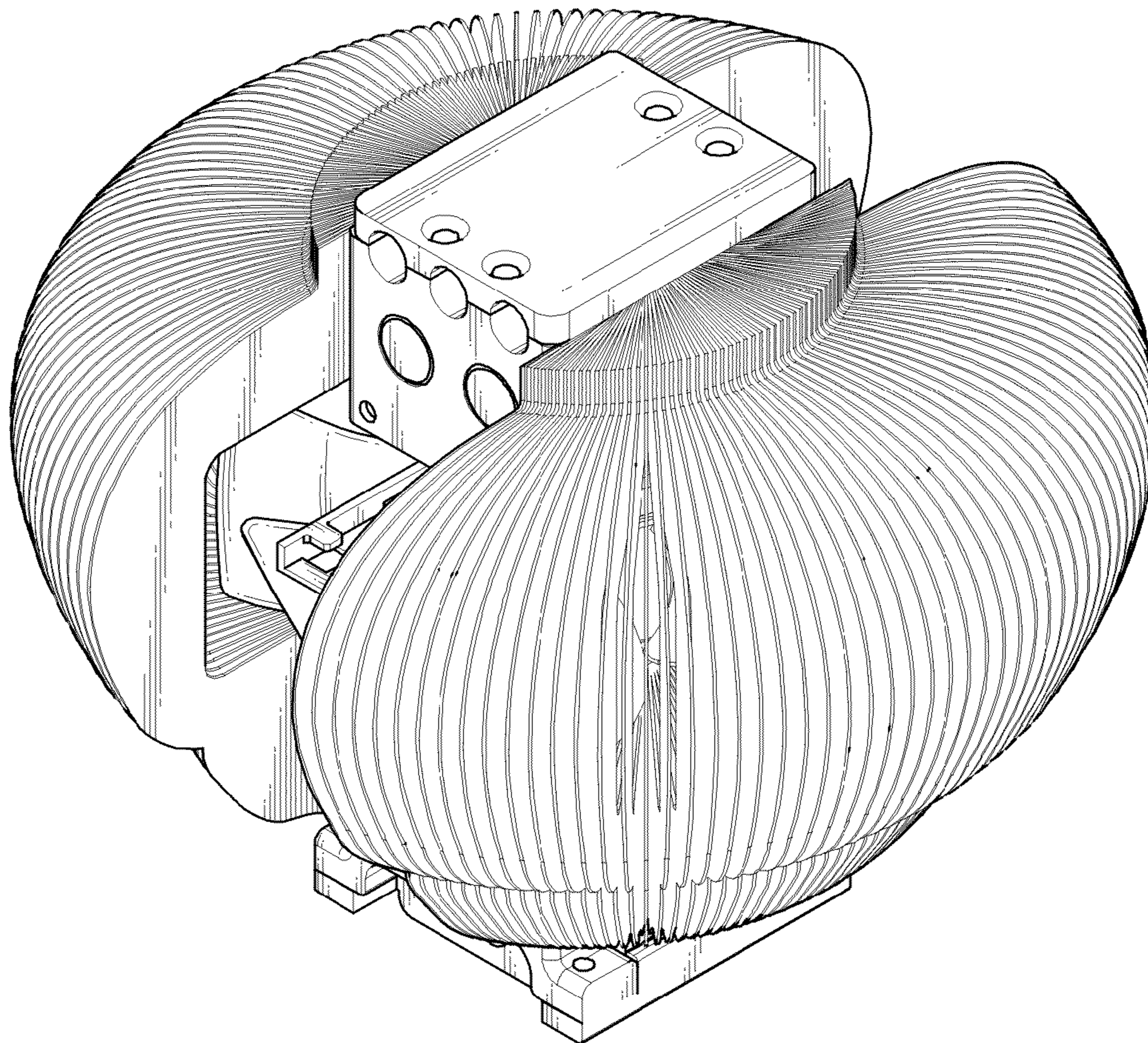
D491,260 S * 6/2004 Luo D23/411

D509,580 S * 9/2005 Lin D23/370

7,025,125 B2 * 4/2006 Sheng et al. 165/104.33

7,130,192 B2 * 10/2006 Wang et al. 361/697

1 Claim, 8 Drawing Sheets



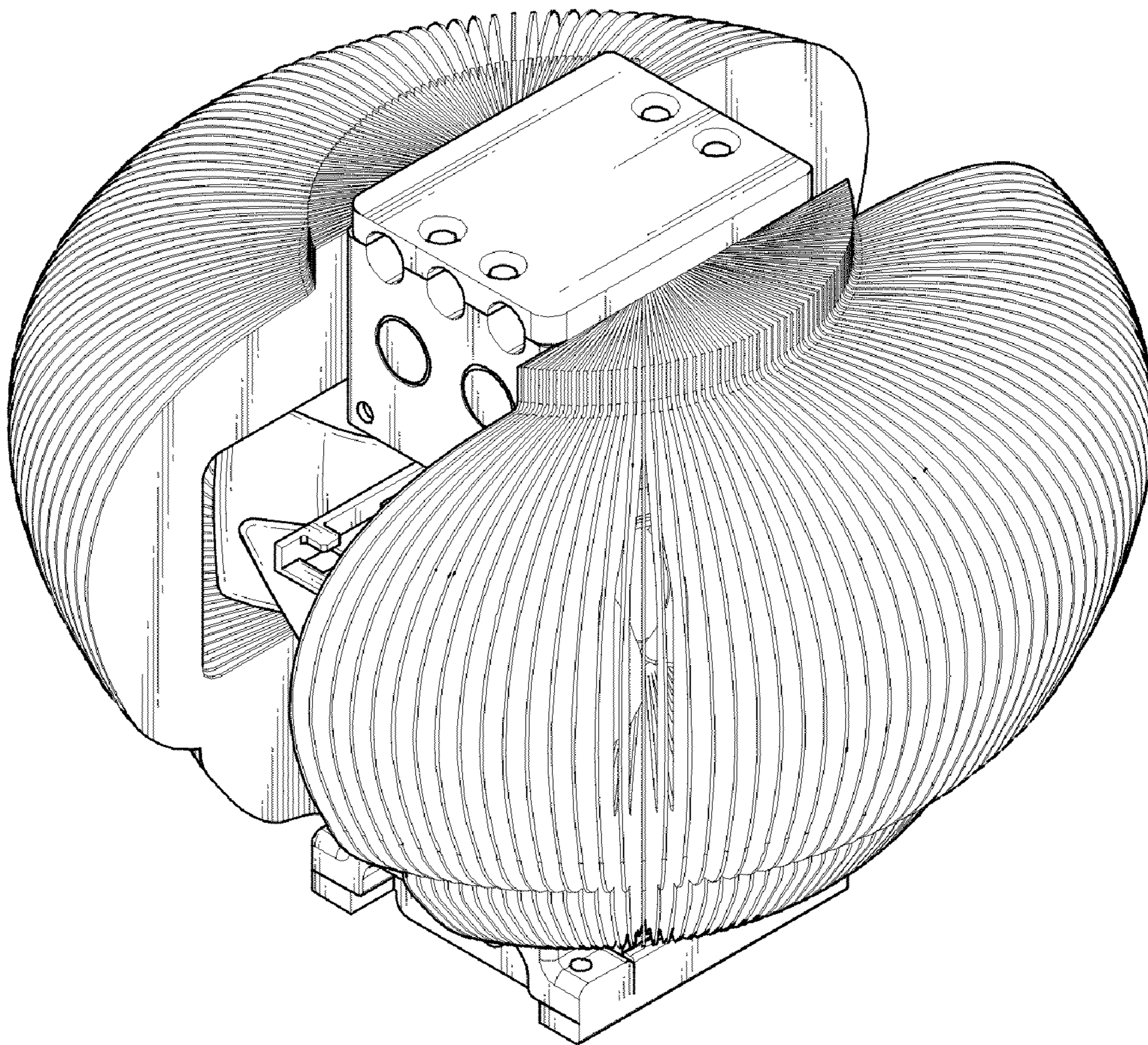


FIG. 1

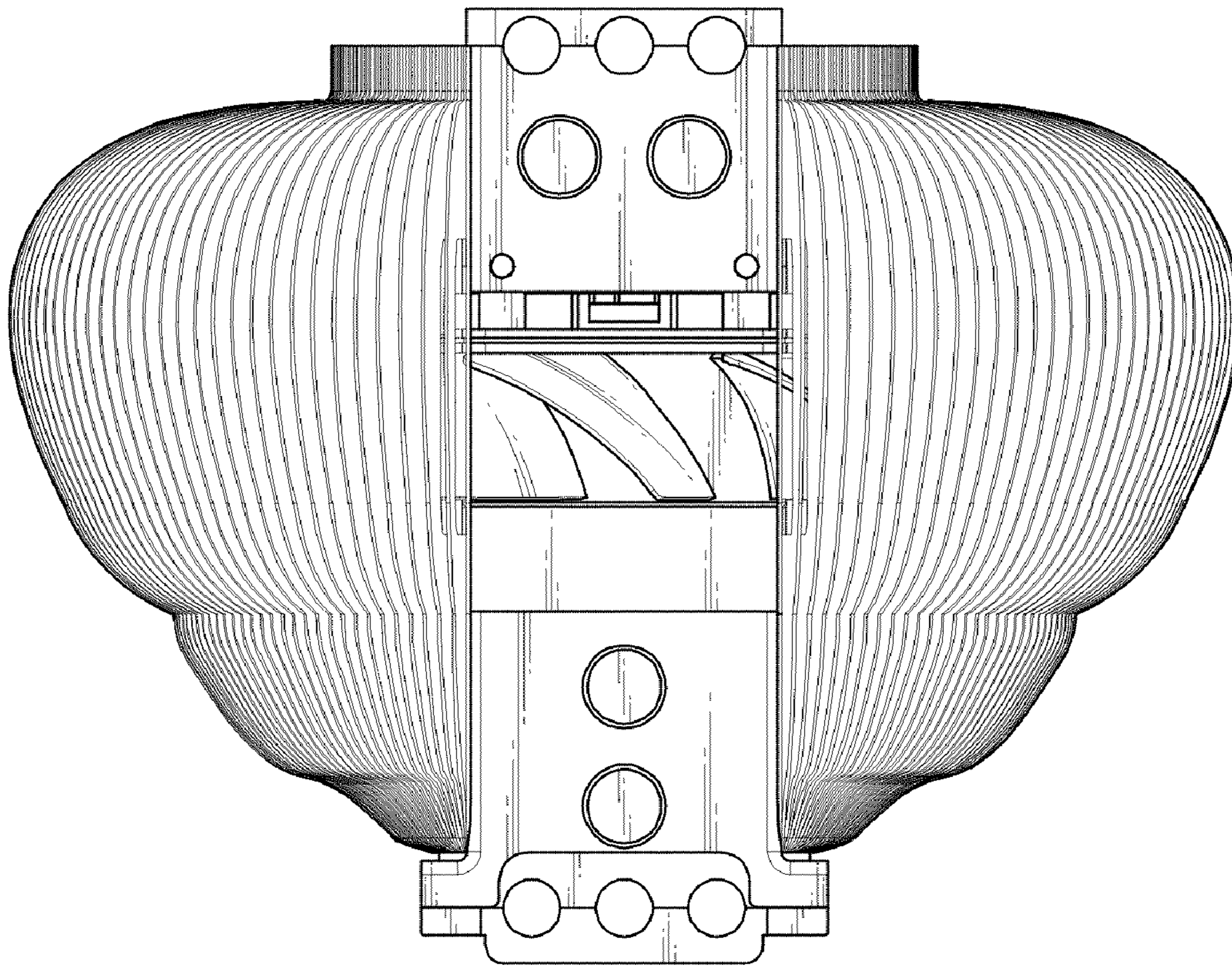


FIG.2

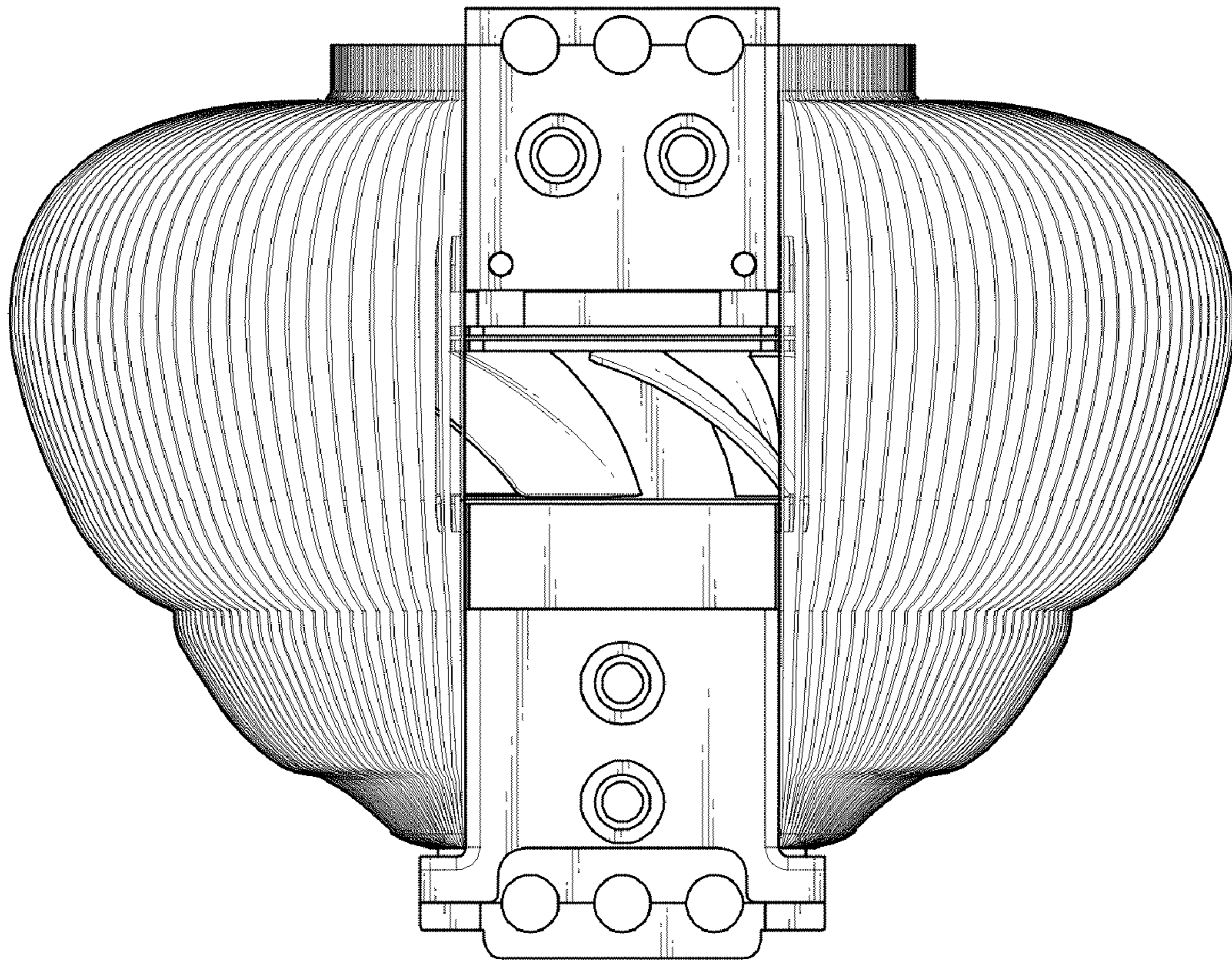


FIG.3

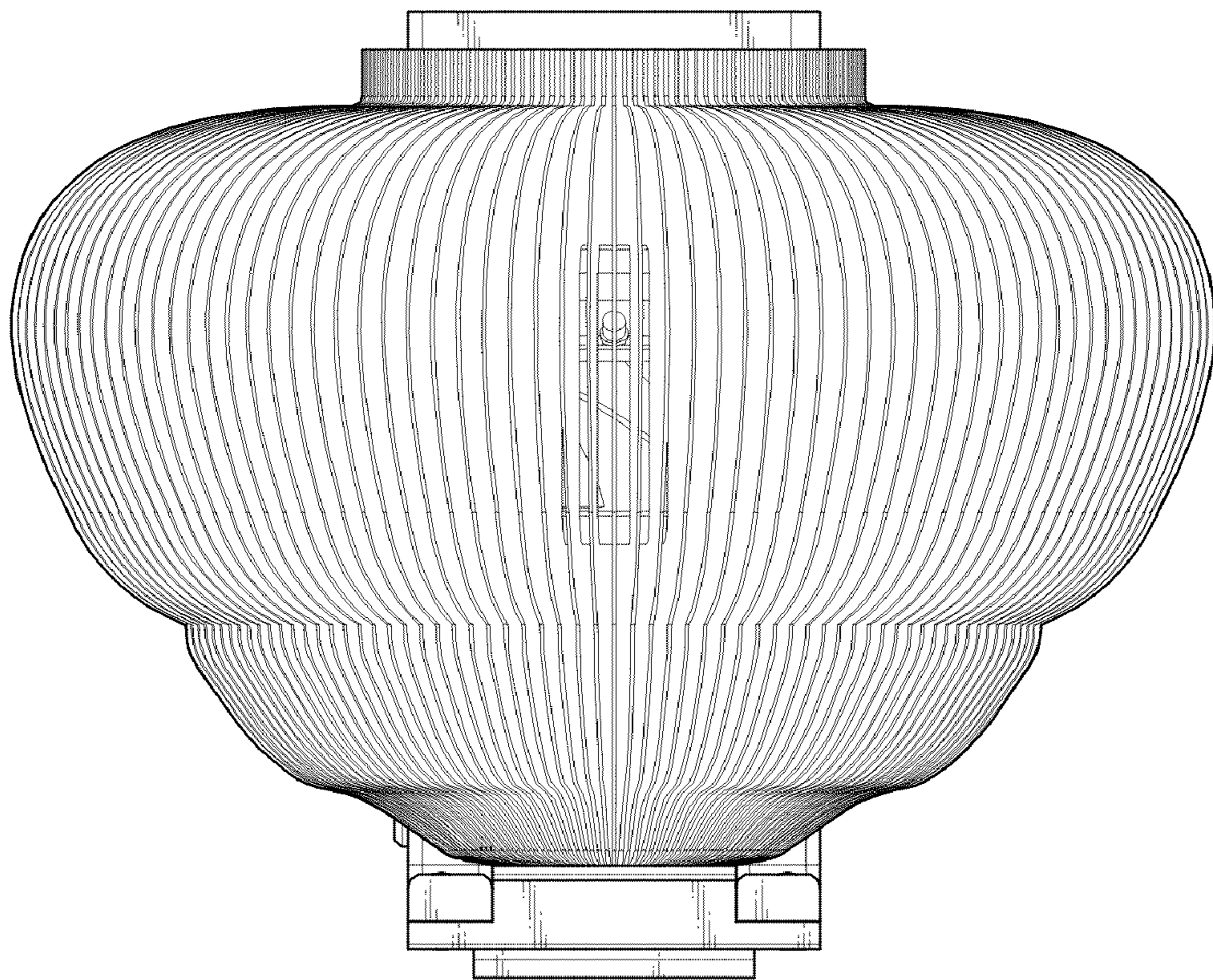


FIG.4

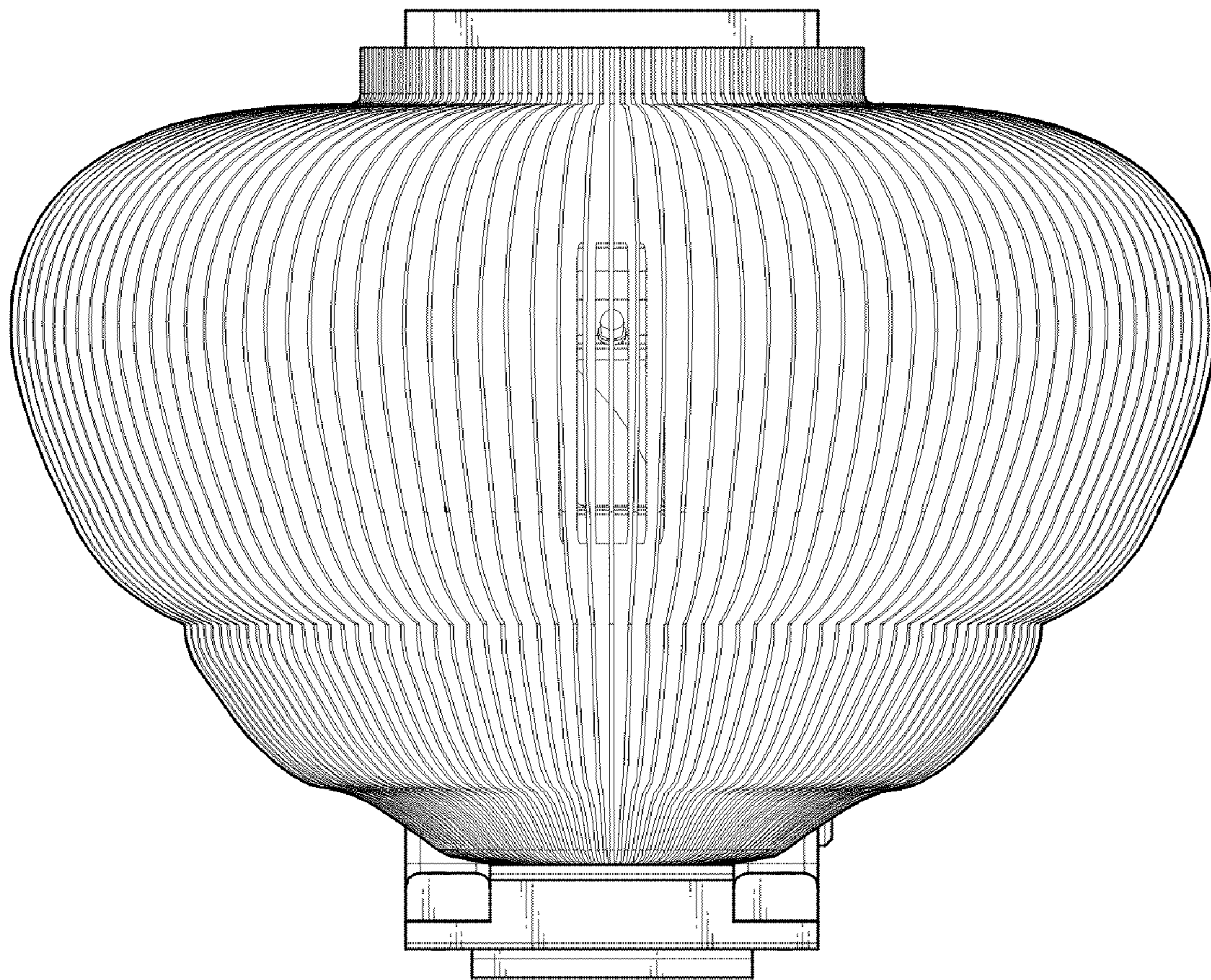


FIG.5

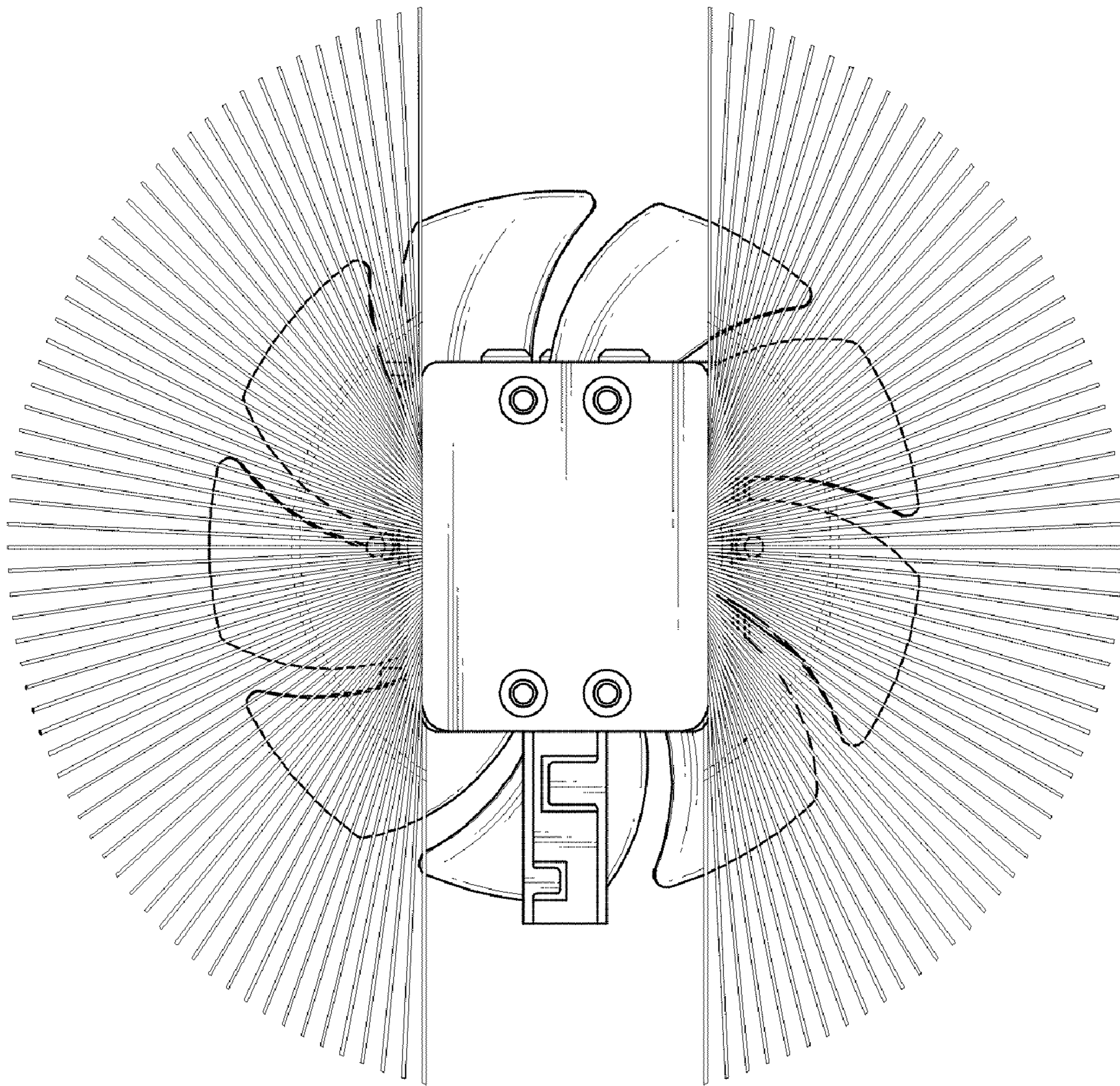


FIG.6

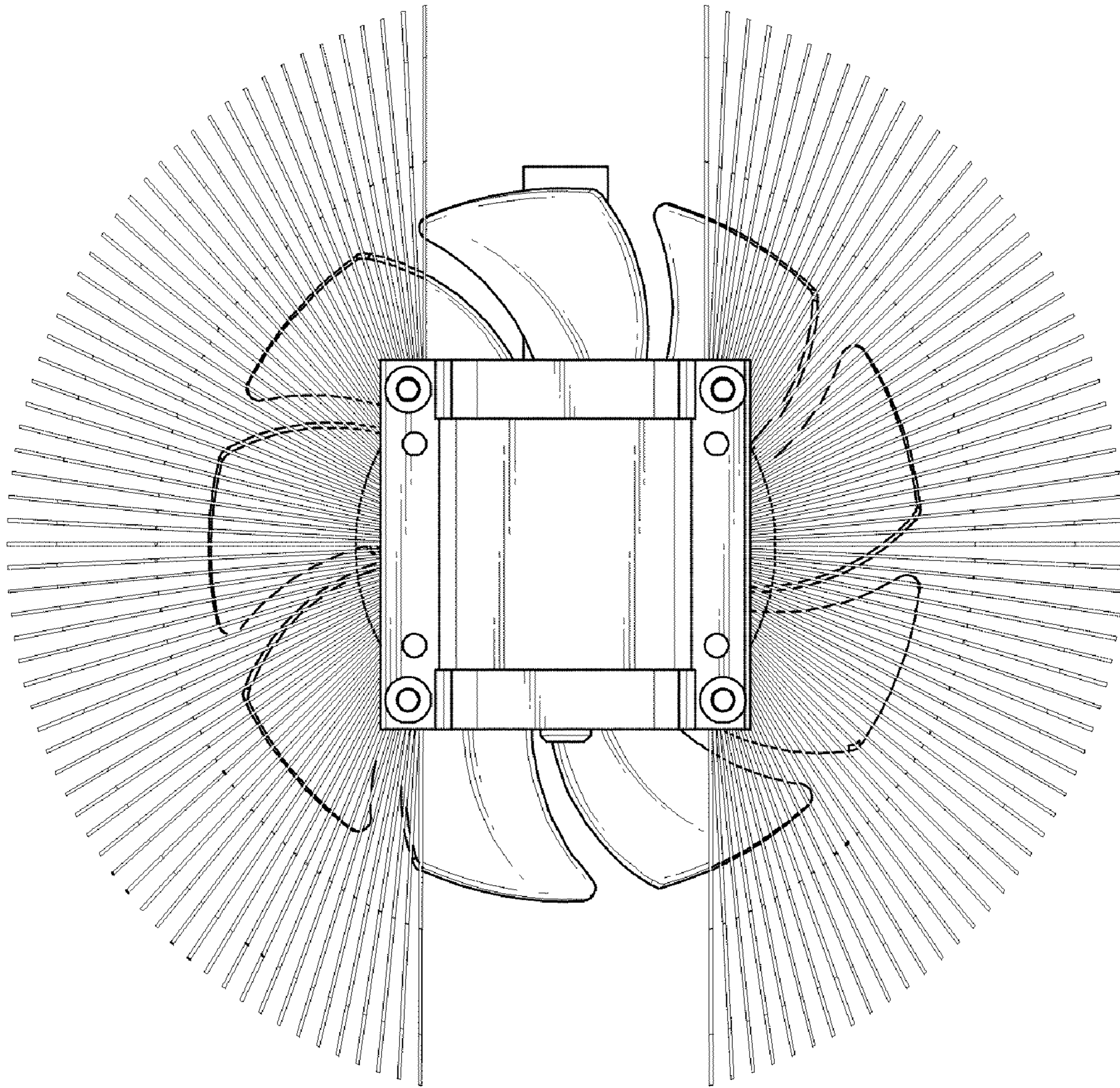


FIG.7

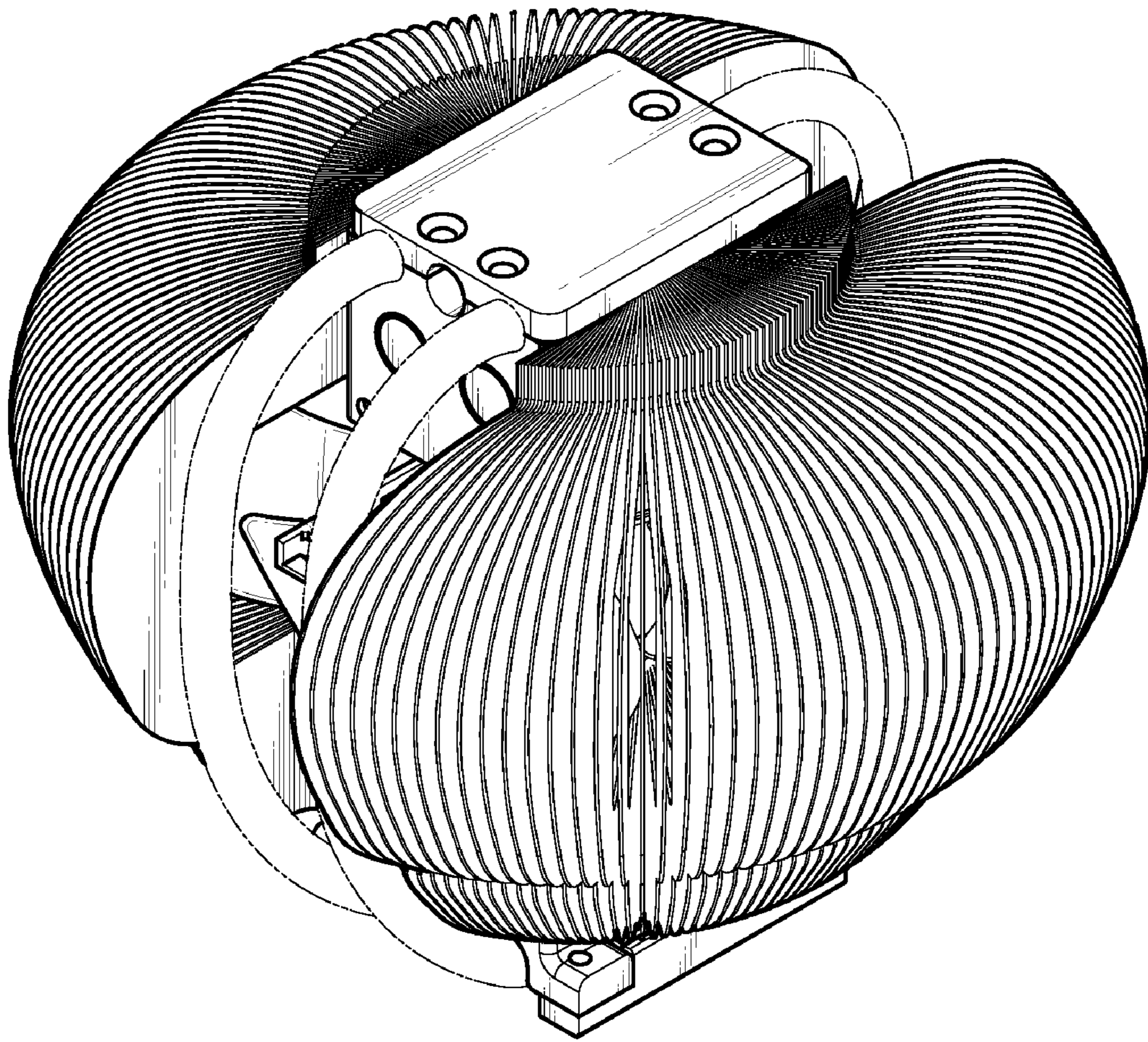


FIG.8