

US00D564084S

(12) **United States Design Patent**  
**Chen**

(10) **Patent No.:** **US D564,084 S**  
(45) **Date of Patent:** **\*\* Mar. 11, 2008**

(54) **DESK FAN WITH A FOLDING STAND**

(76) Inventor: **Yung Chen**, 3 Larkspur La., Clarendon Hills, IL (US) 60514

(\*\*) Term: **14 Years**

(21) Appl. No.: **29/285,069**

(22) Filed: **Mar. 21, 2007**

(51) **LOC (8) Cl.** ..... **23-04**

(52) **U.S. Cl.** ..... **D23/382**

(58) **Field of Classification Search** ..... D23/382,  
D23/381, 332, 370, 411, 412; 416/246 R,  
416/247 R, 244 R

See application file for complete search history.

(56) **References Cited**

**U.S. PATENT DOCUMENTS**

4,341,151	A	*	7/1982	Sakamoto	.....	454/209
D407,478	S	*	3/1999	Wilson, Jr.	.....	D23/370
D449,373	S	*	10/2001	Pinchuk	.....	D23/382
D459,460	S	*	6/2002	Melwani	.....	D23/370
D510,994	S	*	10/2005	Indio Da Costa	.....	D23/382
D546,436	S	*	7/2007	Chen	.....	D23/382

\* cited by examiner

*Primary Examiner*—Lisa Lichtenstein

(74) *Attorney, Agent, or Firm*—Basil Demeur; Alan Samlan; David Hurley

(57) **CLAIM**

The ornamental design for a desk fan with a folding stand, as shown and described.

**DESCRIPTION**

FIG. 1 is a front perspective view of the desk fan with a folding stand in the open position;

FIG. 2 is a rear perspective view of the desk fan with a folding stand in the open position;

FIG. 3 is an enlarged side elevational view of the desk fan with a folding stand in the open position;

FIG. 4 is an enlarged side elevational view of the opposed side of the desk fan with a folding stand in the open position;

FIG. 5 is a greatly enlarged front elevational view of the desk fan with a folding stand in the open position;

FIG. 6 is a greatly enlarged rear elevational view of the desk fan with a folding stand in the open position;

FIG. 7 is an enlarged top view of the desk fan with a folding stand in the open position;

FIG. 8 is an enlarged bottom view of the desk fan with a folding stand in the open position;

FIG. 9 is an enlarged front perspective view of the desk fan with a folding stand in the closed position;

FIG. 10 is an enlarged rear perspective view of the desk fan with a folding stand in the closed position;

FIG. 11 is an enlarged front elevational view of the desk fan with a folding stand in the closed position;

FIG. 12 is an enlarged rear elevational view of the desk fan with a folding stand in the closed position;

FIG. 13 is an enlarged side elevational view showing the desk fan with a folding stand in the closed position;

FIG. 14 is an enlarged side elevational view of the desk fan with a folding stand in the closed position;

FIG. 15 is an enlarged top view showing the desk fan with a folding stand in the closed position; and,

FIG. 16 is an enlarged bottom view of the desk fan with a the folding stand in its closed position.

**1 Claim, 16 Drawing Sheets**

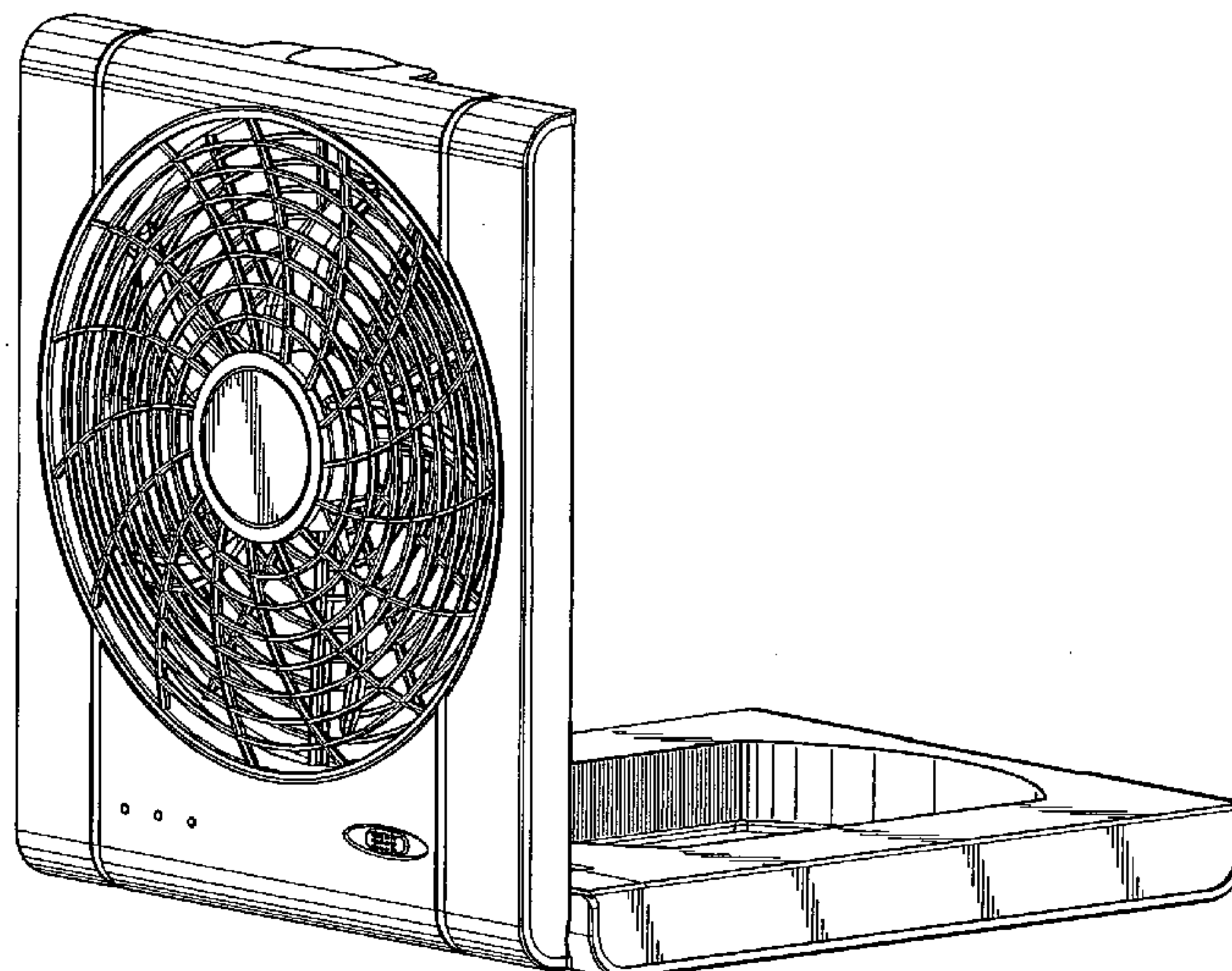


Fig. 1

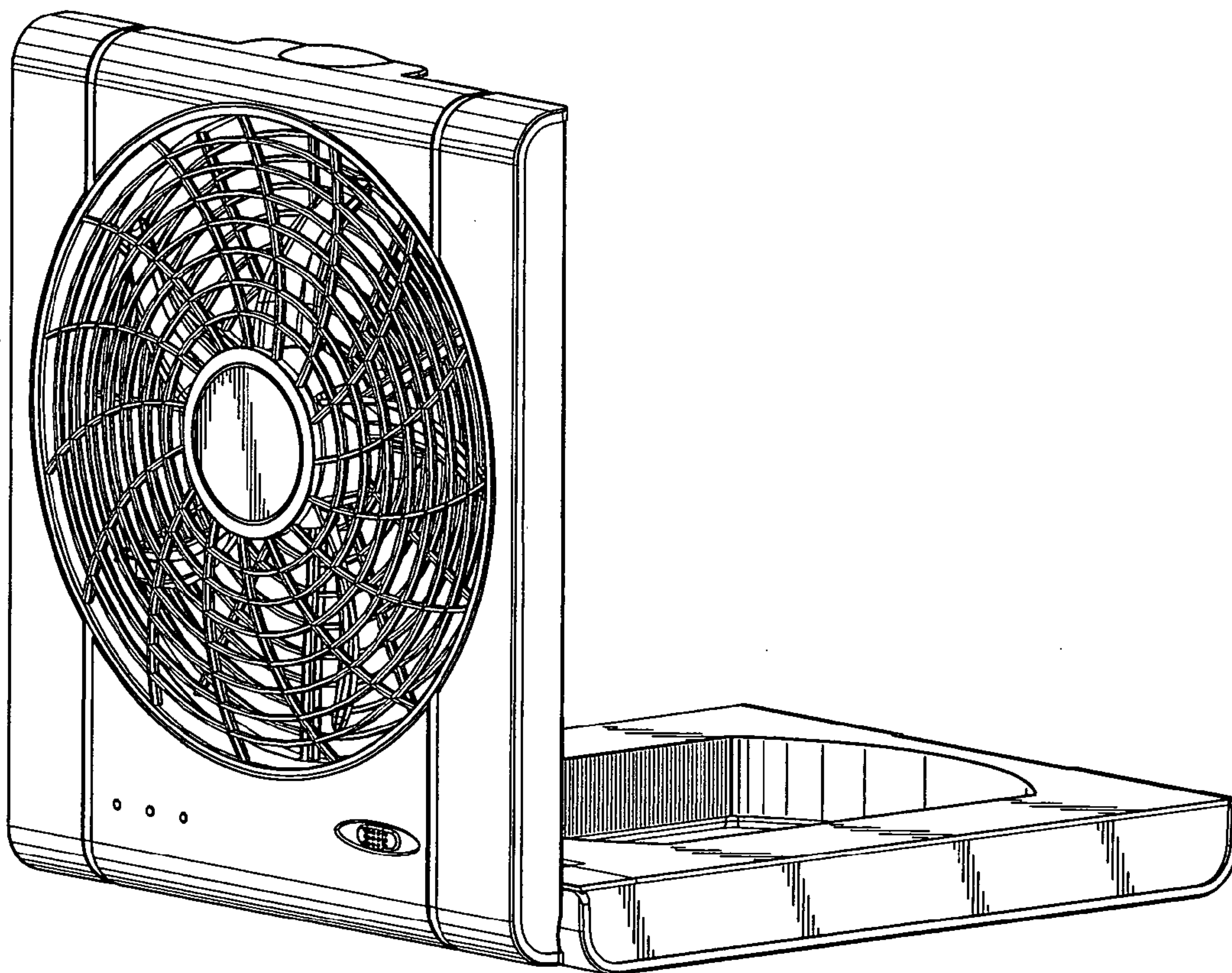




Fig. 2

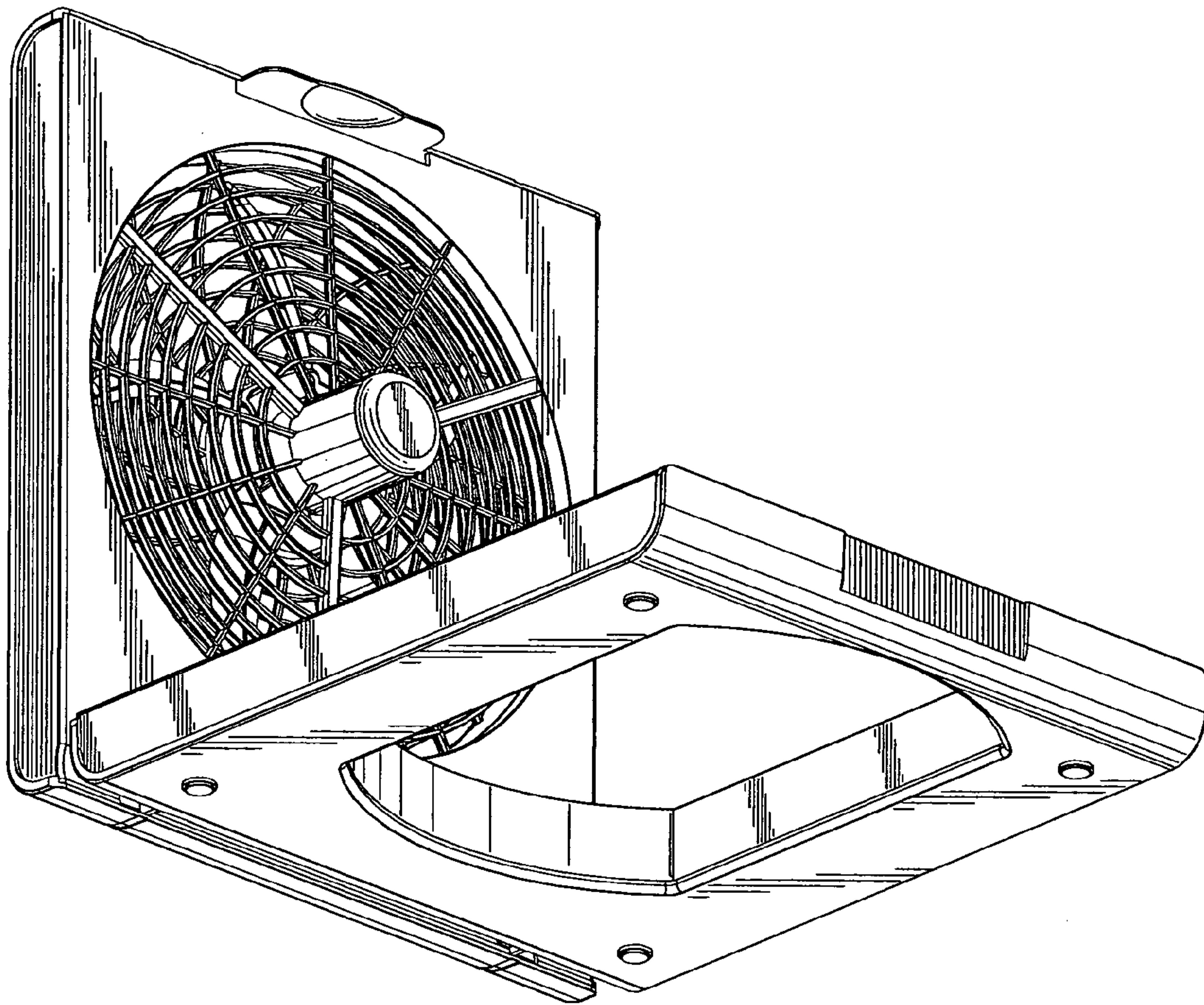


Fig. 3

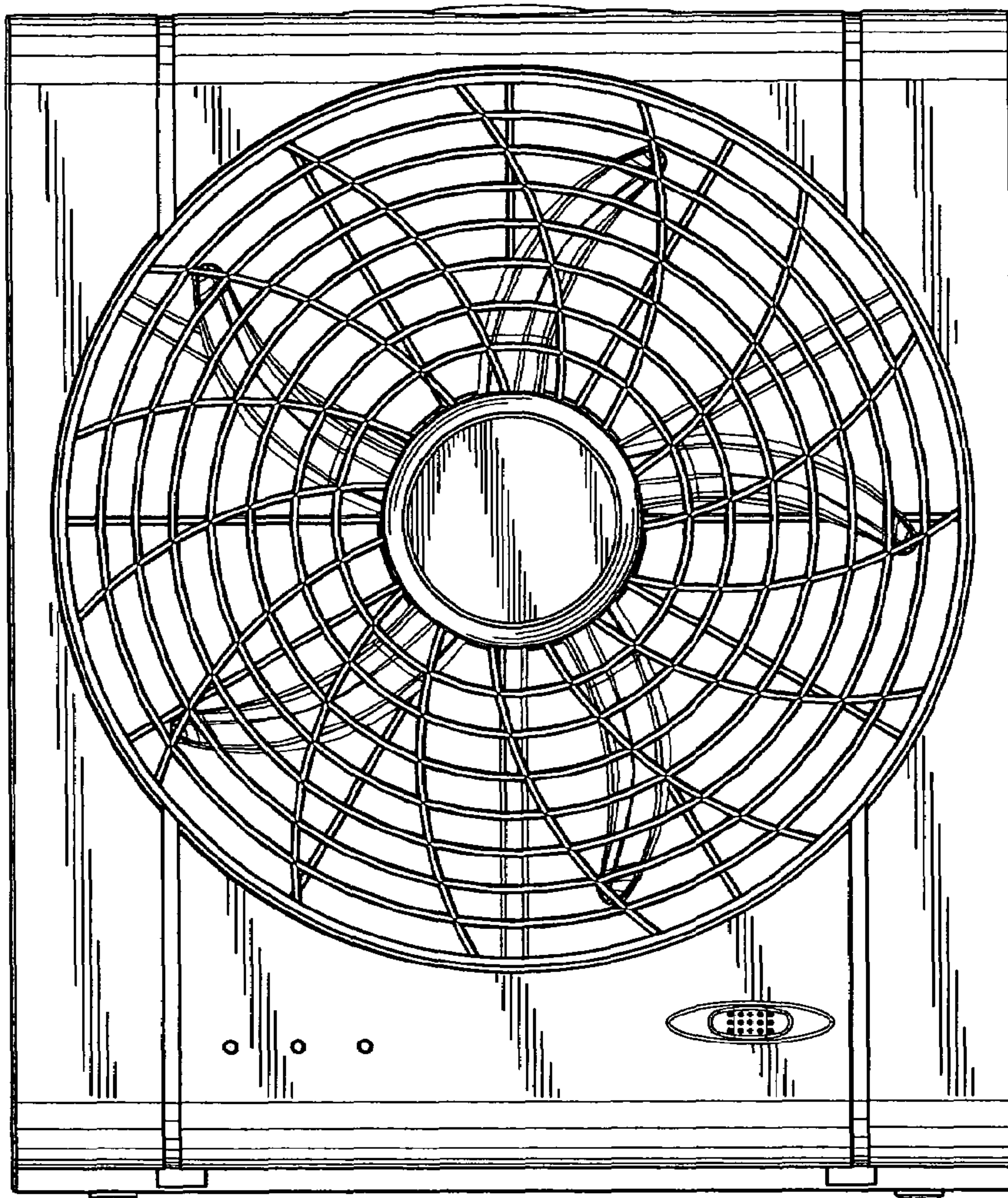




Fig. 4

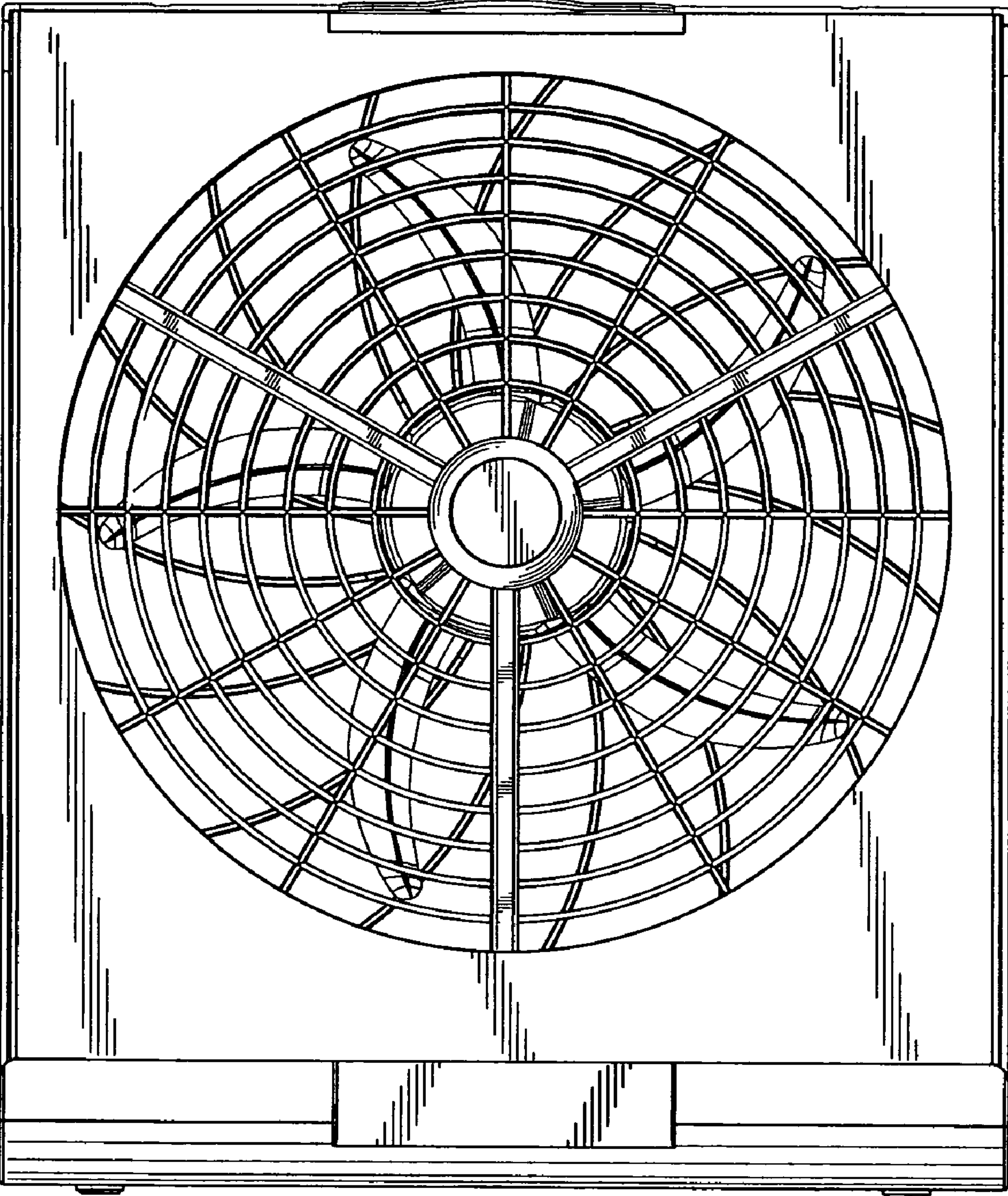


Fig. 5

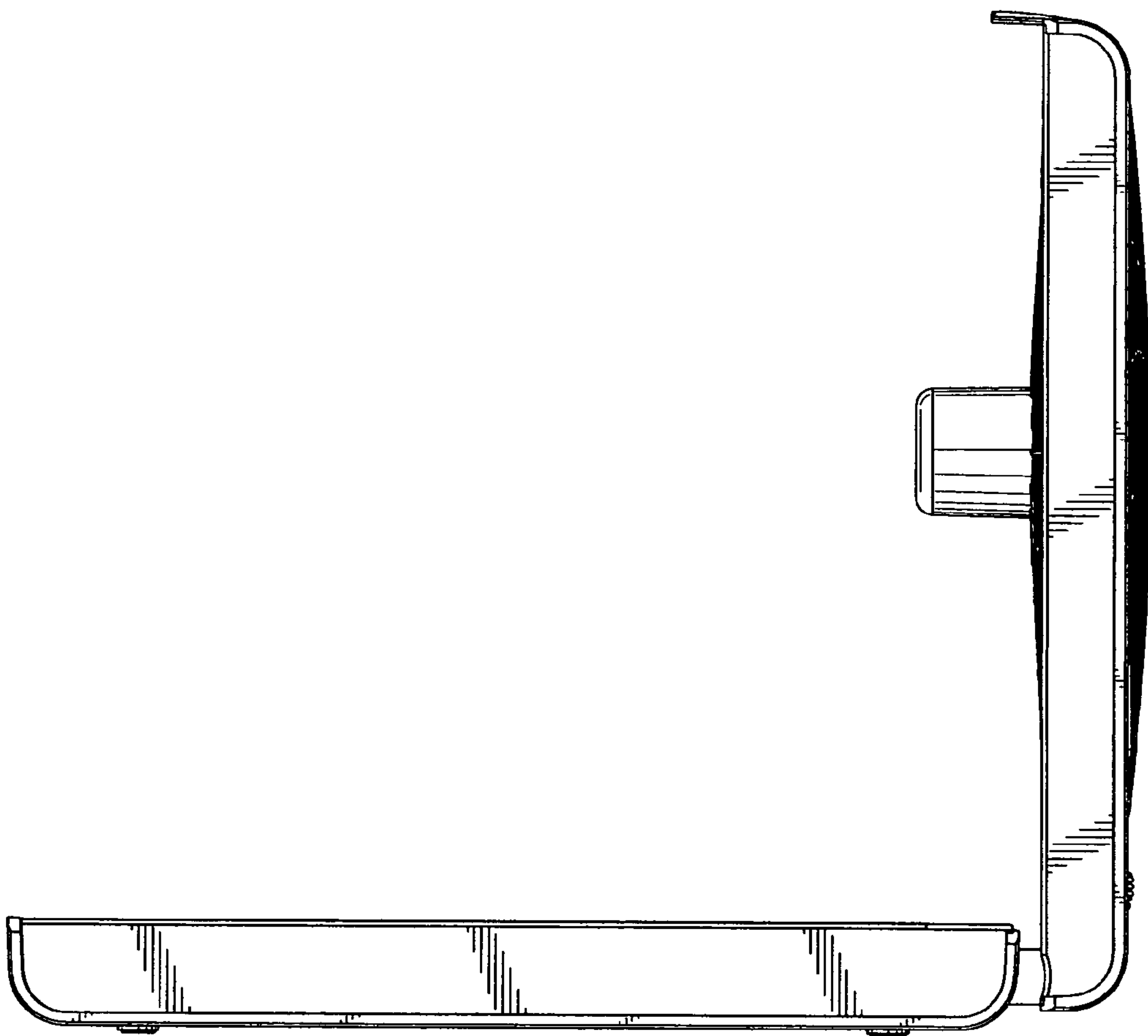
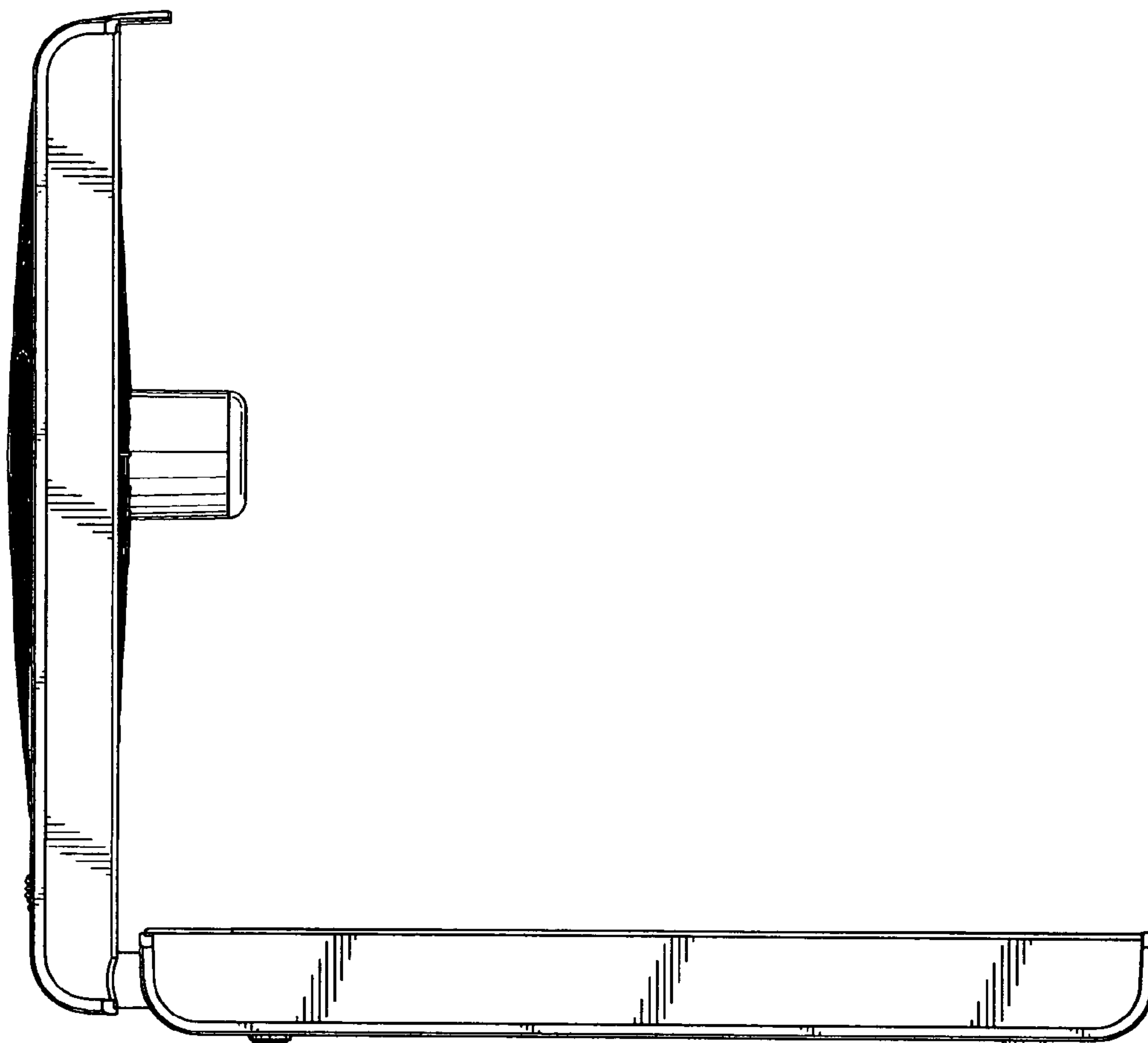


Fig. 6



**Fig. 7**

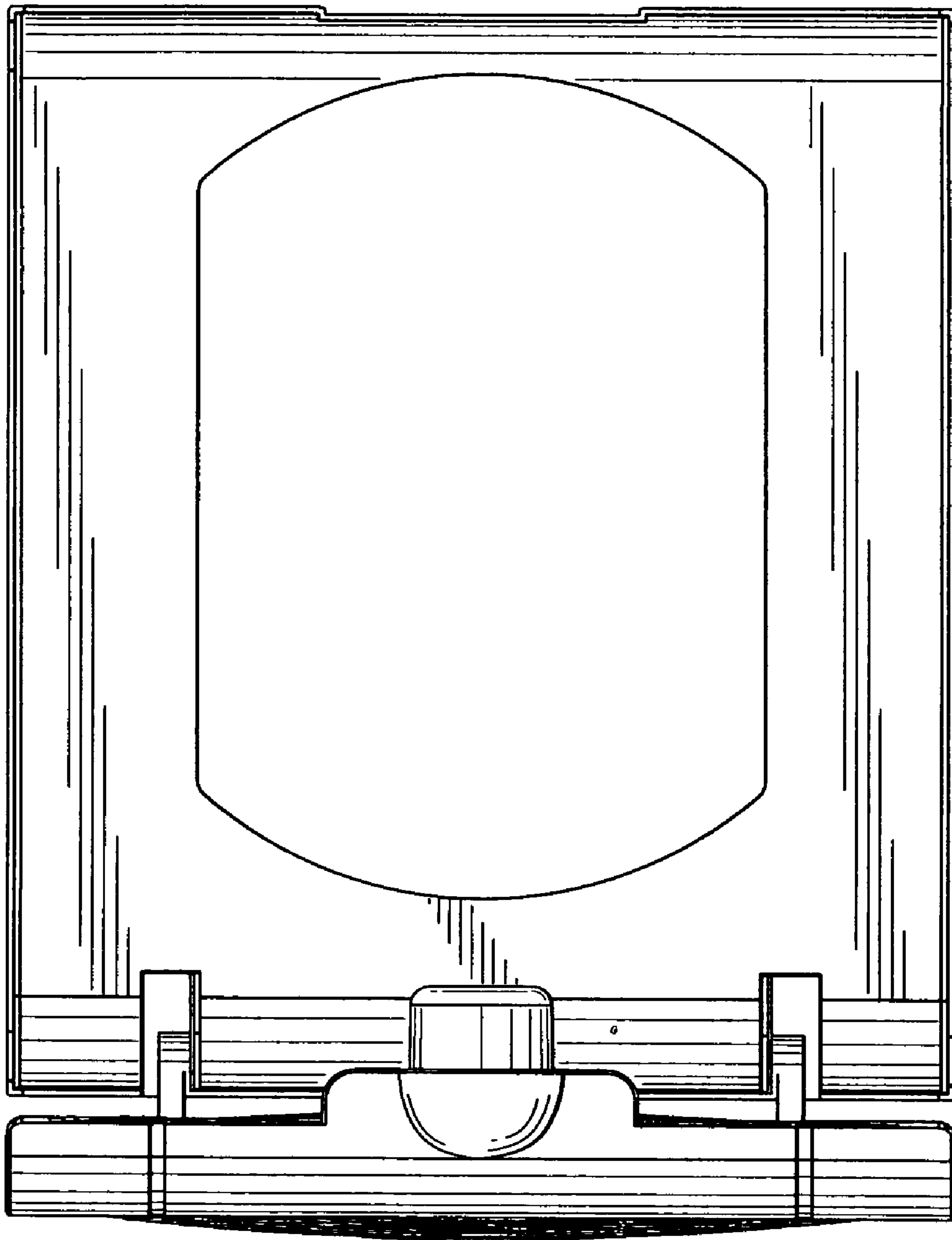




Fig. 8

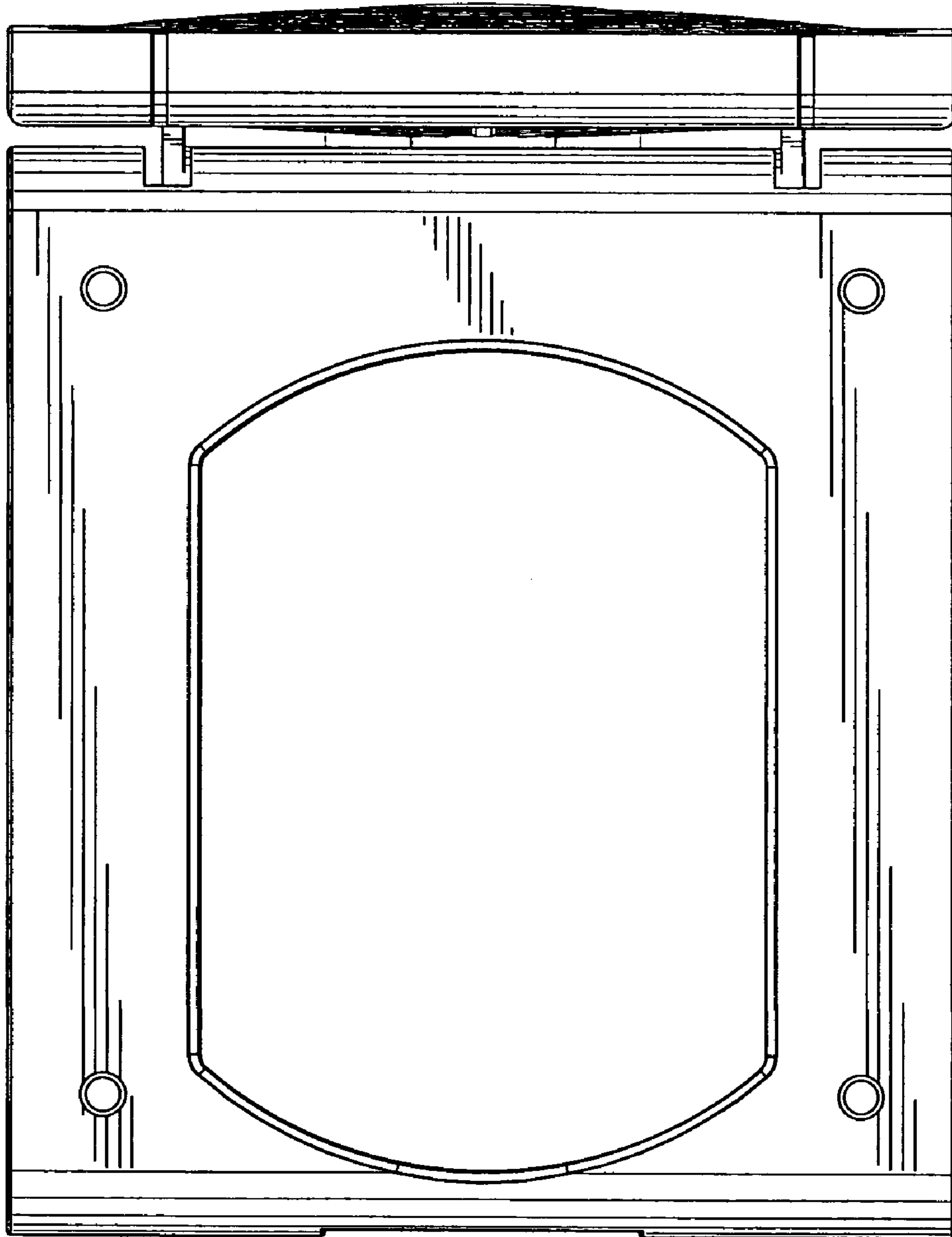
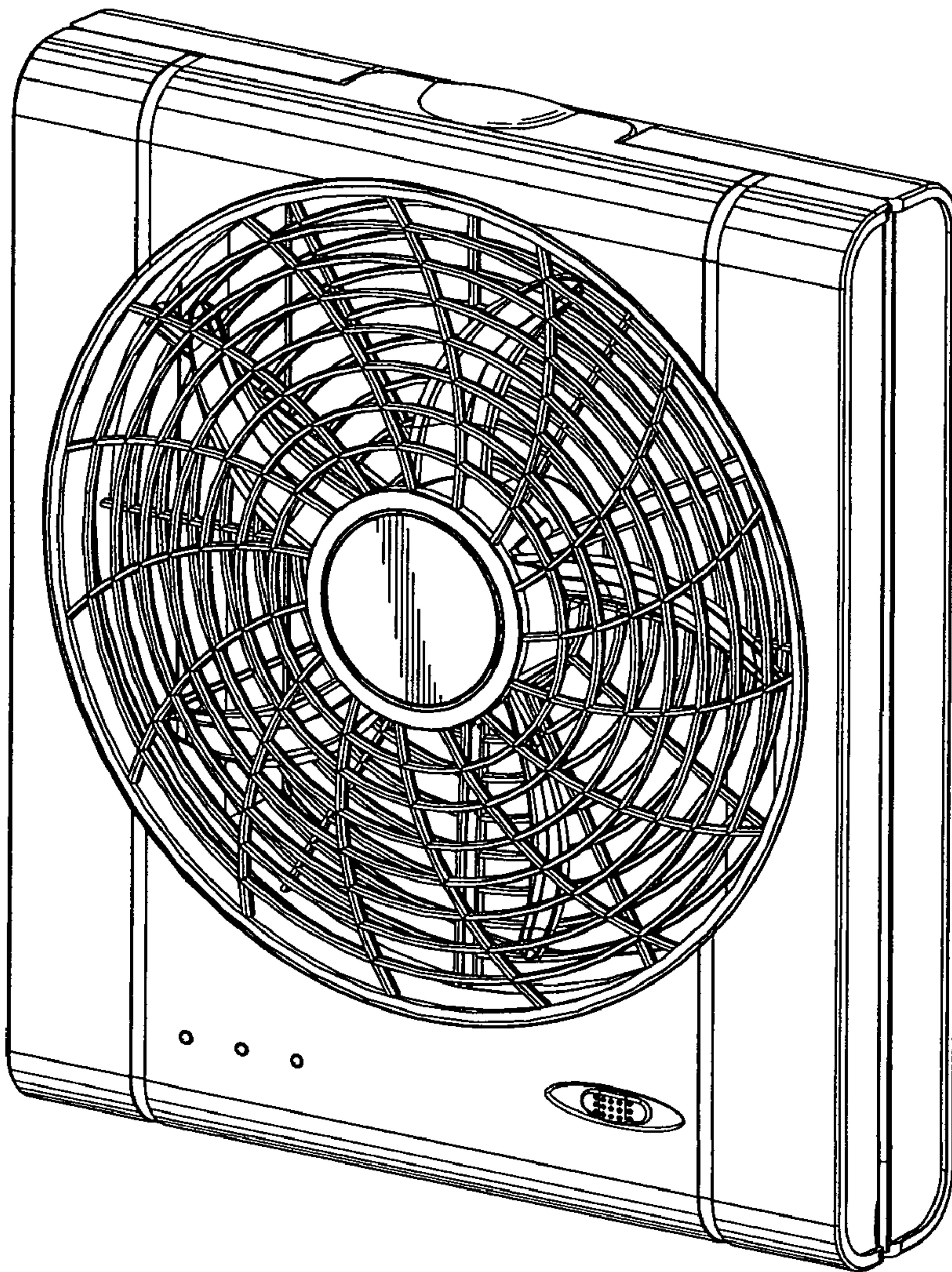


Fig. 9



**Fig. 10**

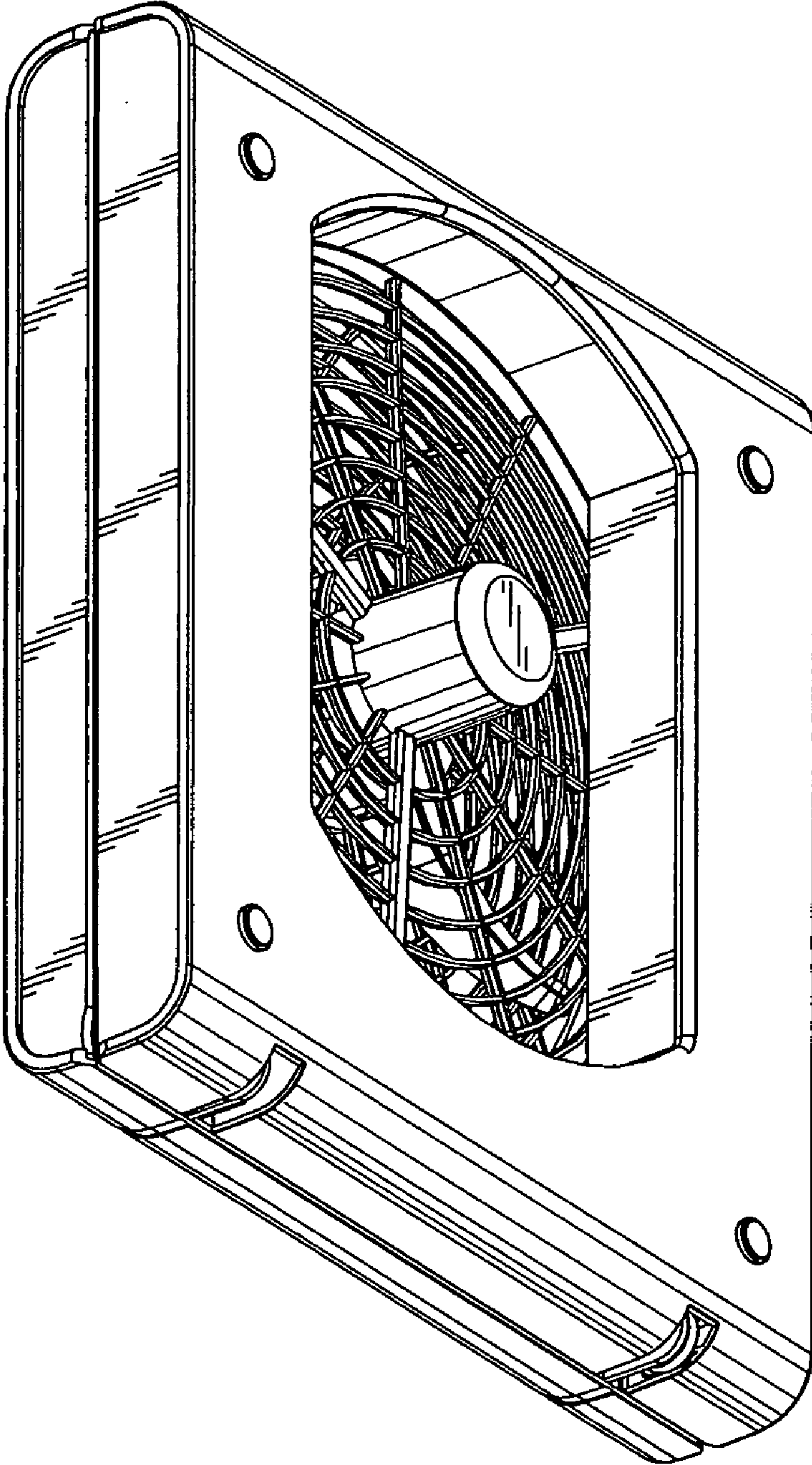




Fig. 11

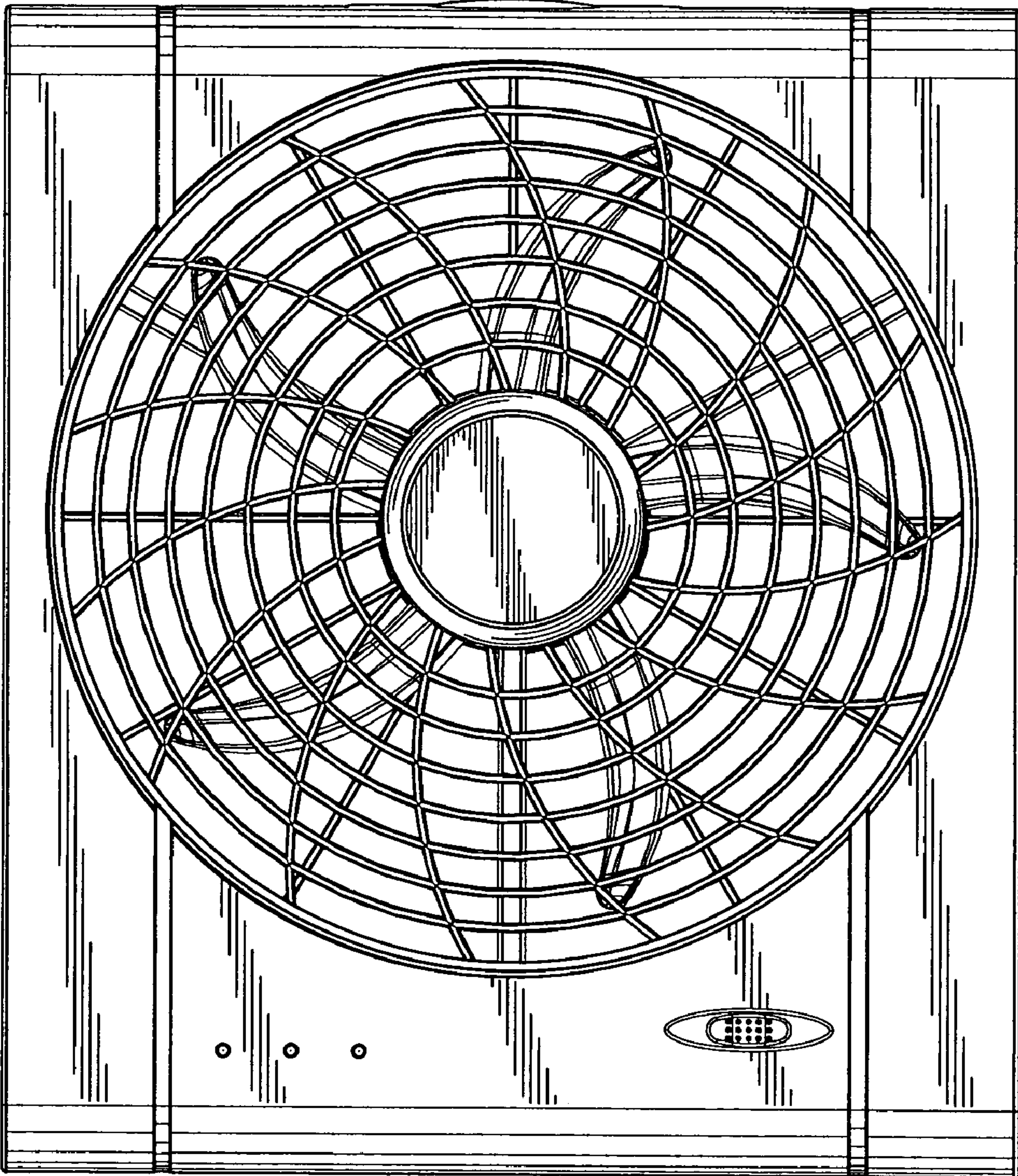
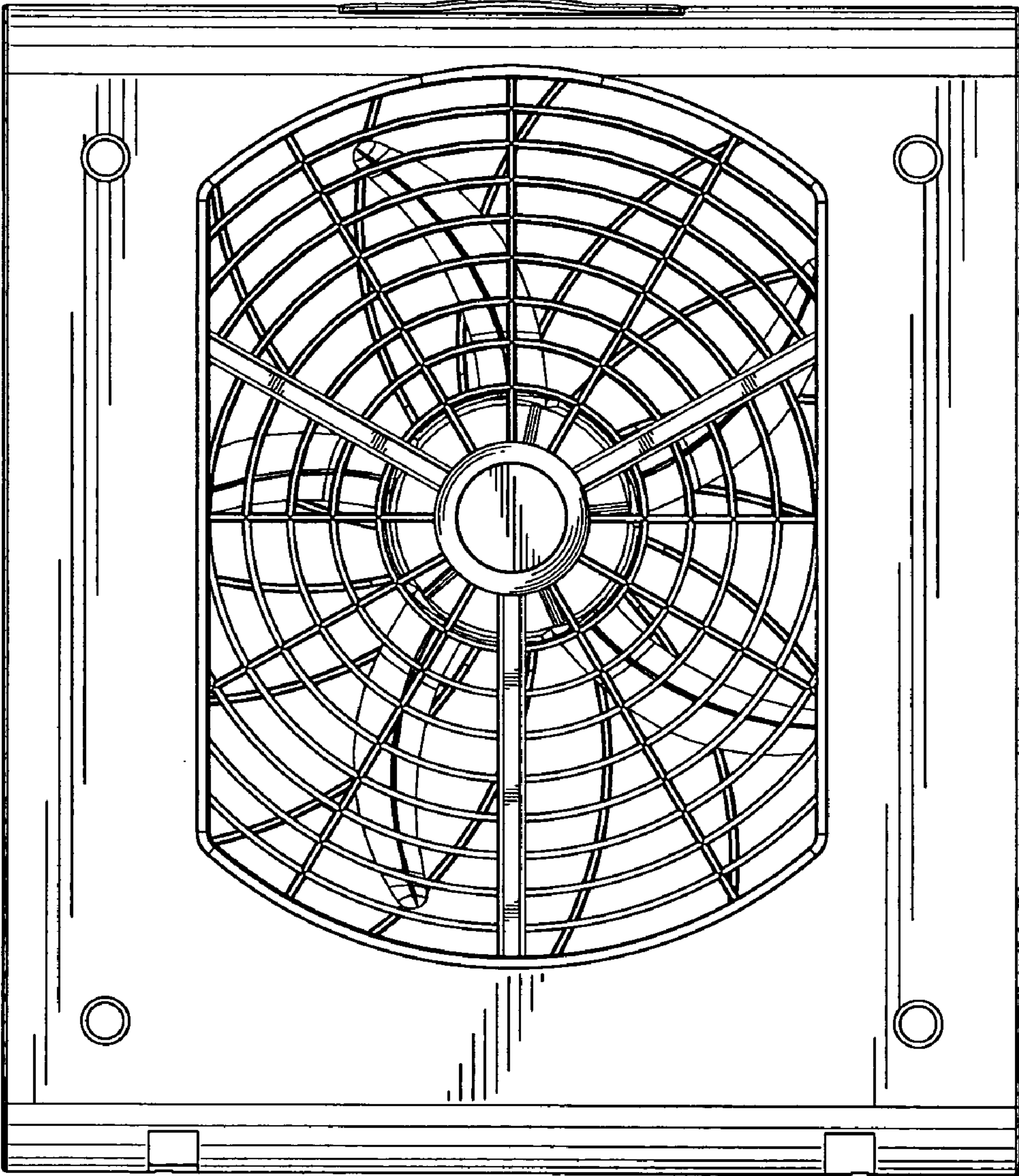
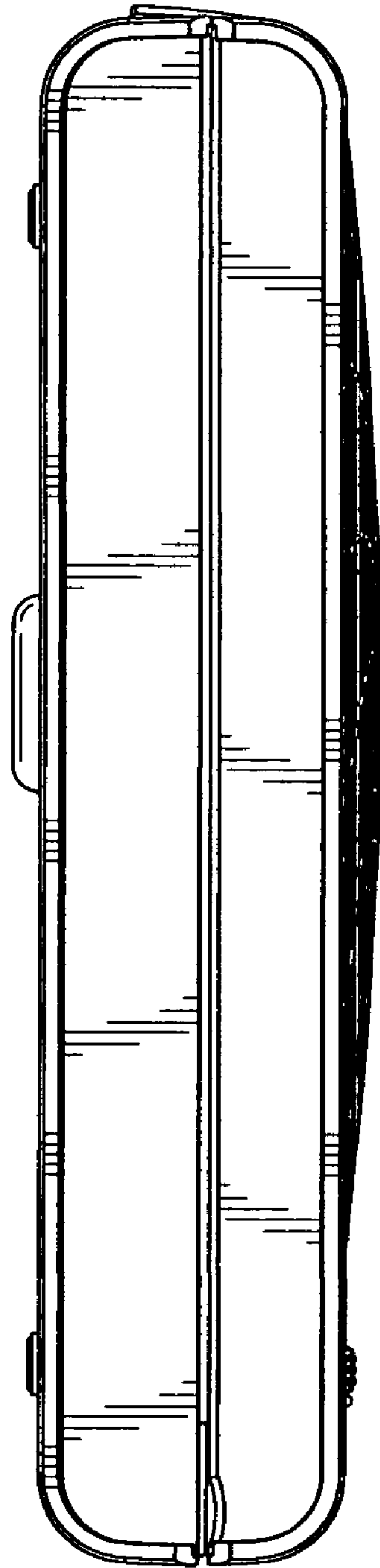




Fig. 12



**Fig. 13**



**Fig. 14**

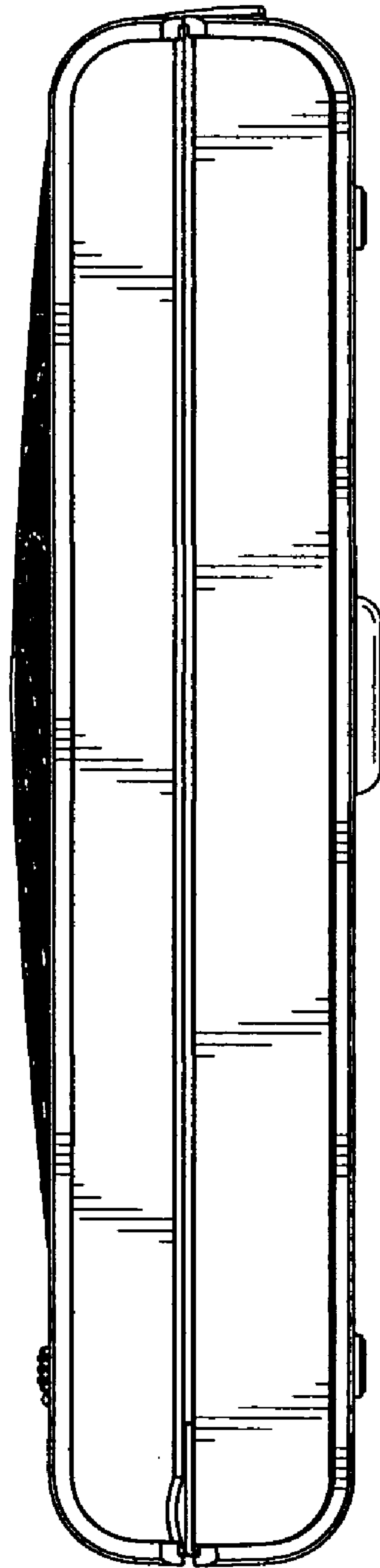


Fig. 15

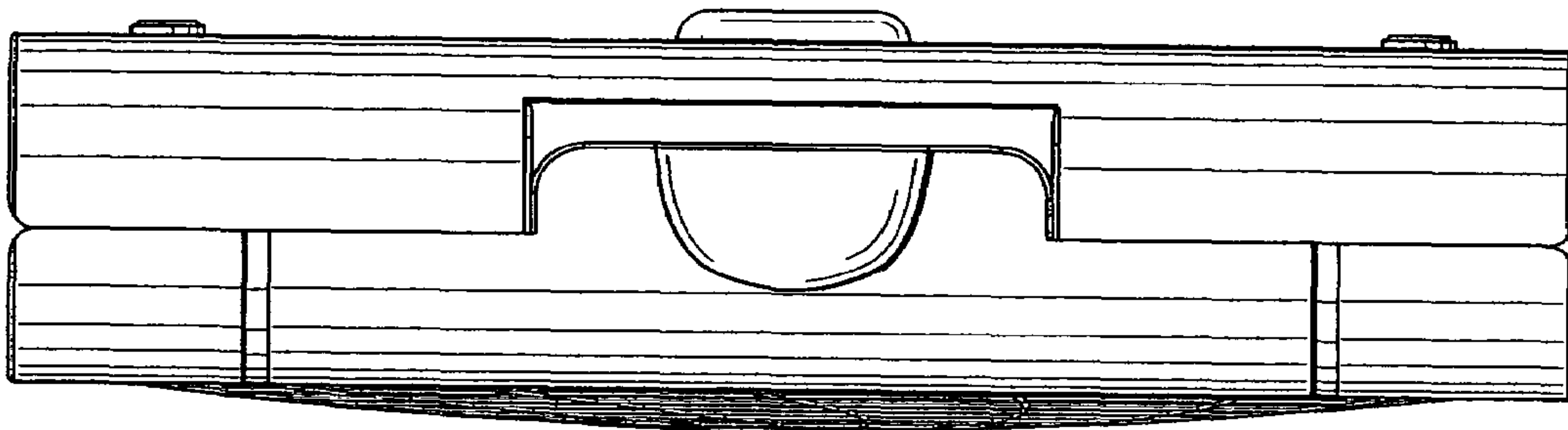




Fig. 16

