

US00D564080S

(12) **United States Design Patent**
Chen

(10) **Patent No.:** **US D564,080 S**
(45) **Date of Patent:** **** Mar. 11, 2008**

(54) **HANDHELD FAN**

(75) Inventor: **Yung Chen**, Clarendon Hills, IL (US)

(73) Assignee: **GLJ, LLC**, Chicago, IL (US)

(**) Term: **14 Years**

(21) Appl. No.: **29/260,208**

(22) Filed: **Jun. 23, 2006**

(51) **LOC (8) Cl.** **23-03**

(52) **U.S. Cl.** **D23/328; D23/314**

(58) **Field of Classification Search** D23/328,
D23/381, 382, 379, 370, 377, 225, 213, 337,
D23/332, 335, 411, 226, 228, 413, 371, 13-18,
D23/89; D9/307, 436, 522, 575, 300, 685,
D9/643, 682, 553; 416/95, 146 R, 63, 244 R,
416/247; 261/28, 30, 82, 89, 90, 24; 239/289,
239/77, 214.25, 222.11, 302, 327, 340, 349,
239/351, 355, 375, 600, 352, 310, 311, 337;
222/333; D28/89, 88, 85, 77; 61/28; 454/370;
34/97; 392/373, 374, 383, 384; D19/43,
D19/51, 48

See application file for complete search history.

(56) **References Cited**

U.S. PATENT DOCUMENTS

1,473,045	A *	11/1923	Puttaert et al.	310/50
2,909,316	A *	10/1959	Prohaczka et al.	416/5
D329,088	S *	9/1992	Yuen	D23/377
D334,976	S *	4/1993	Yuen	D23/377
D425,256	S *	5/2000	Gavin	D28/85
6,109,874	A *	8/2000	Steiner et al.	416/63
D468,060	S *	12/2002	Orsomando	D28/89
D483,155	S *	12/2003	Orsomando	D28/89

2005/0201864 A1 9/2005 Yoshida et al.

FOREIGN PATENT DOCUMENTS

JP	200150190	2/2001
JP	2005256706	9/2005

OTHER PUBLICATIONS

1 page from alibaba.com.*
2 pages from sz-wholesale.com.*
1 page from perkalfifts.co.za.*
1 page from asisupplier.com.*
* cited by examiner

Primary Examiner—Cathron C. Brooks

Assistant Examiner—Anna K Dworzecka

(74) *Attorney, Agent, or Firm*—Gifford, Krass, Sprinkle,
Anderson & Citkowski, P.C.

(57) **CLAIM**

I claim the ornamental design for a handheld fan, as shown and described.

DESCRIPTION

FIG. 1 is a perspective view of a handheld fan with the cover cap on showing my new design;

FIG. 2 is a rear plan view of the handheld fan according to the present design;

FIG. 3 is a top view of the present design;

FIG. 4 is a bottom view of the present design;

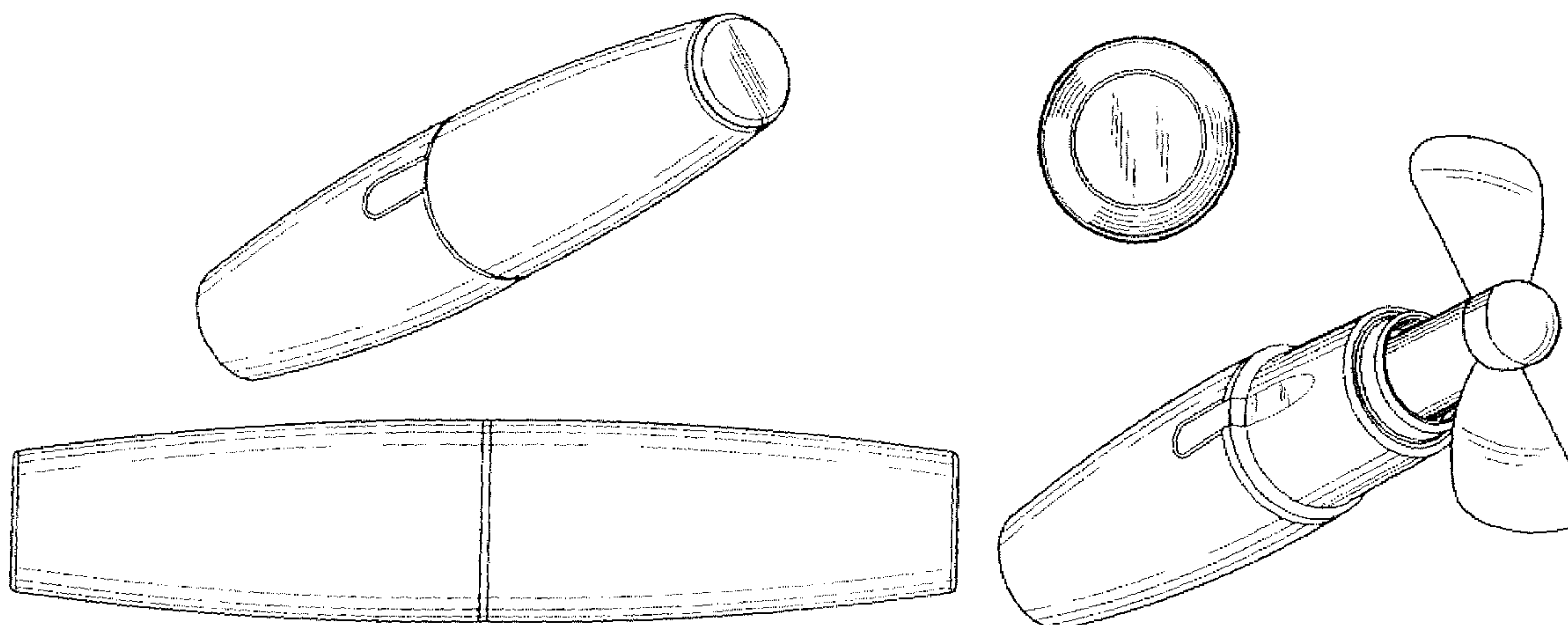
FIG. 5 is a perspective view of the present design with its cover cap removed;

FIG. 6 is a front plan view of the design shown in FIG. 5;

FIG. 7 is a top view of the design shown in FIG. 5; and,

FIG. 8 is a bottom view of the design shown in FIG. 5.

1 Claim, 2 Drawing Sheets



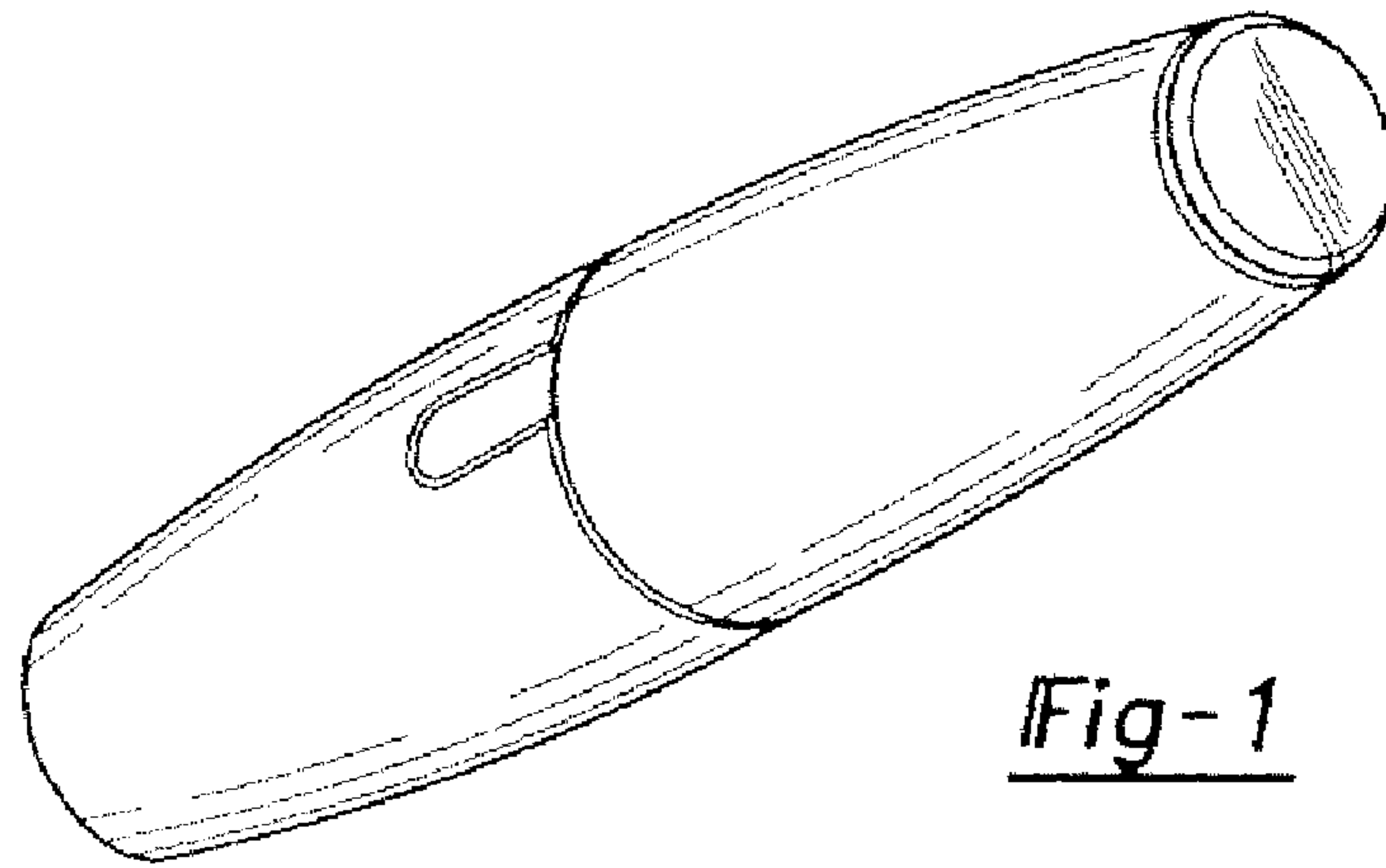


Fig-1

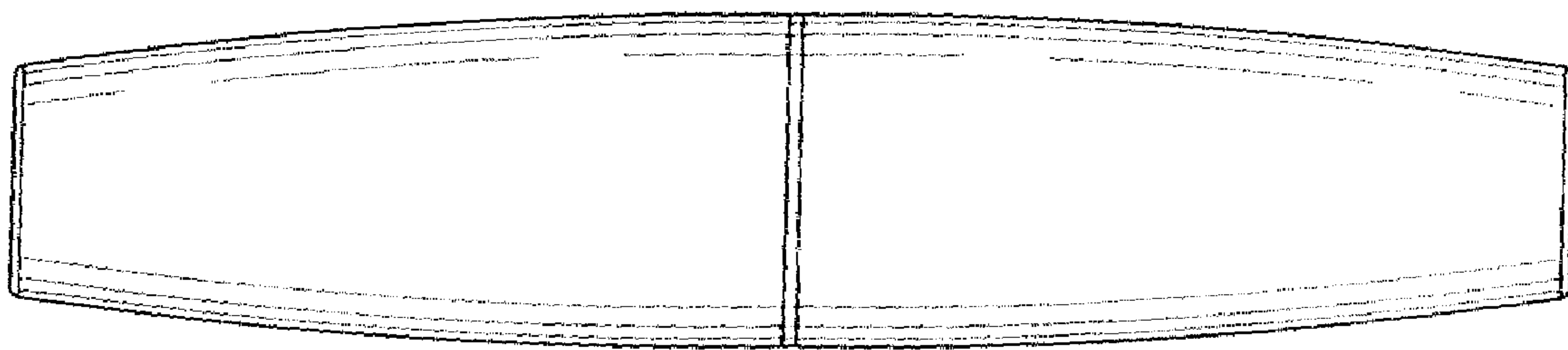


Fig-2

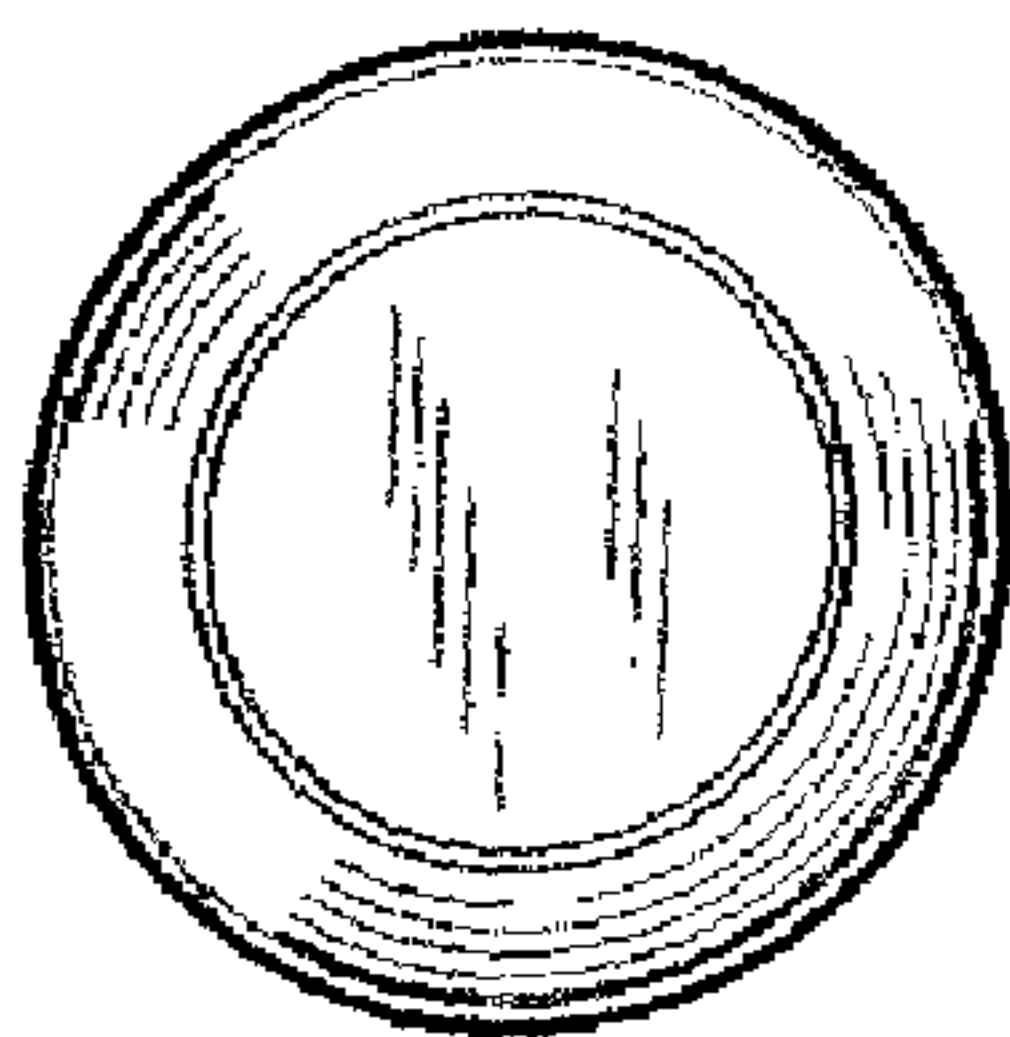


Fig-3

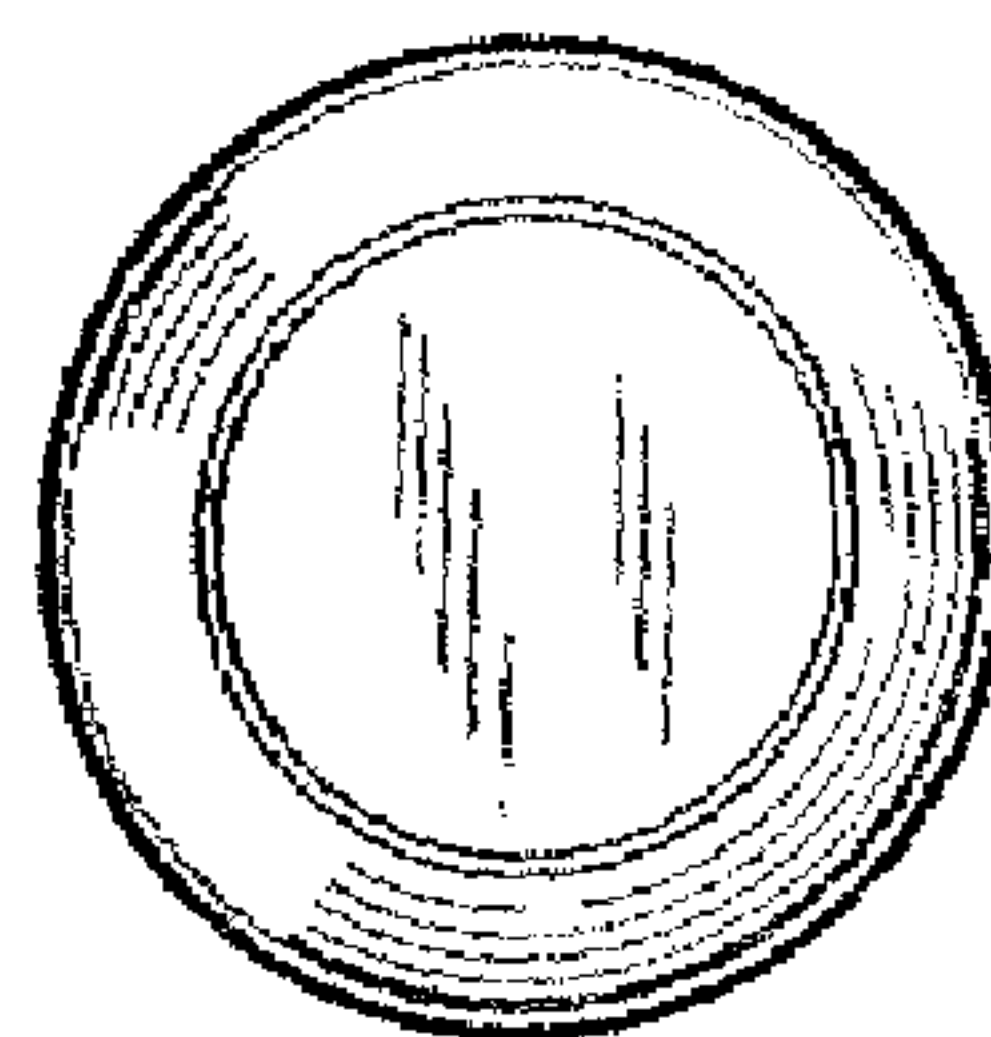


Fig-4

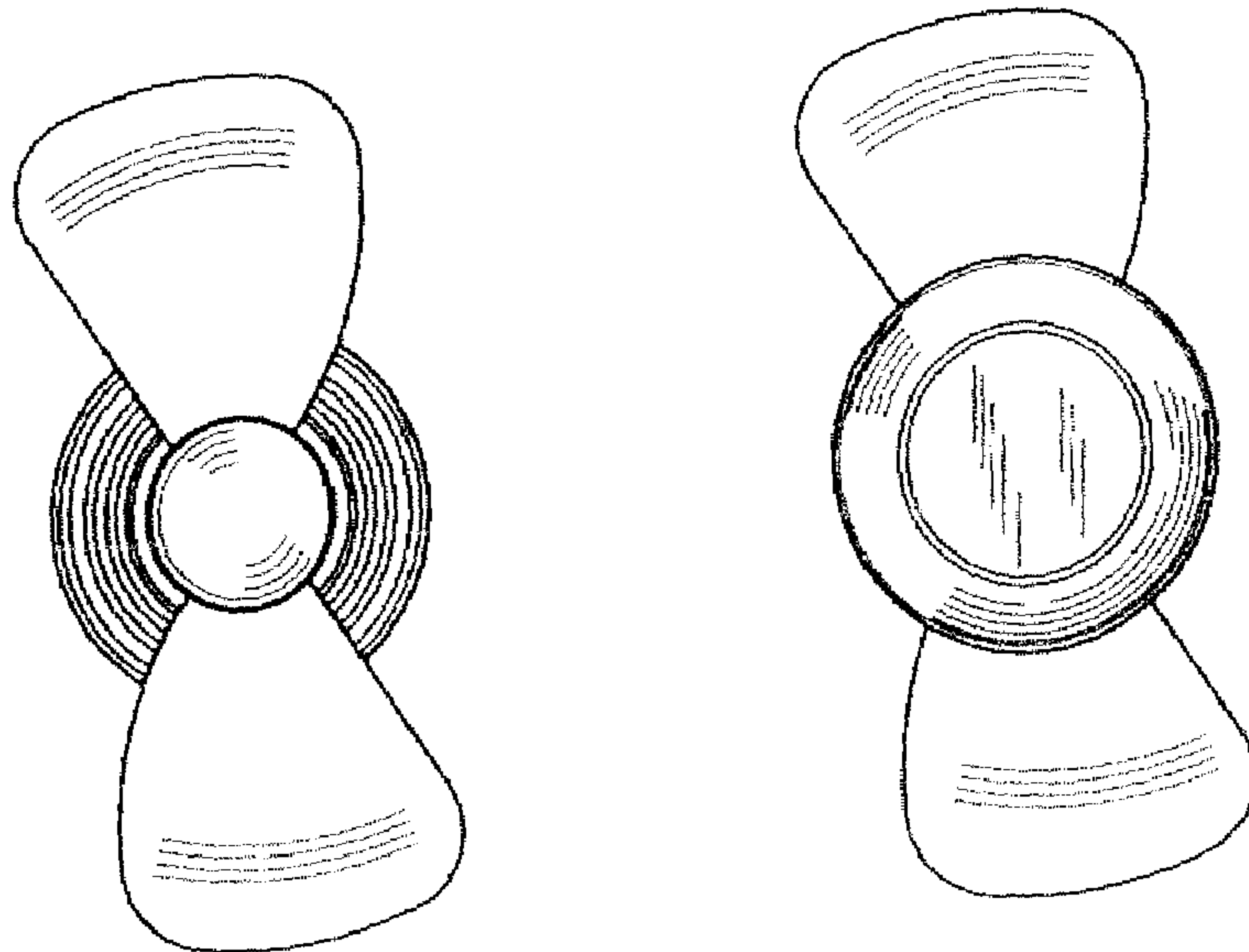
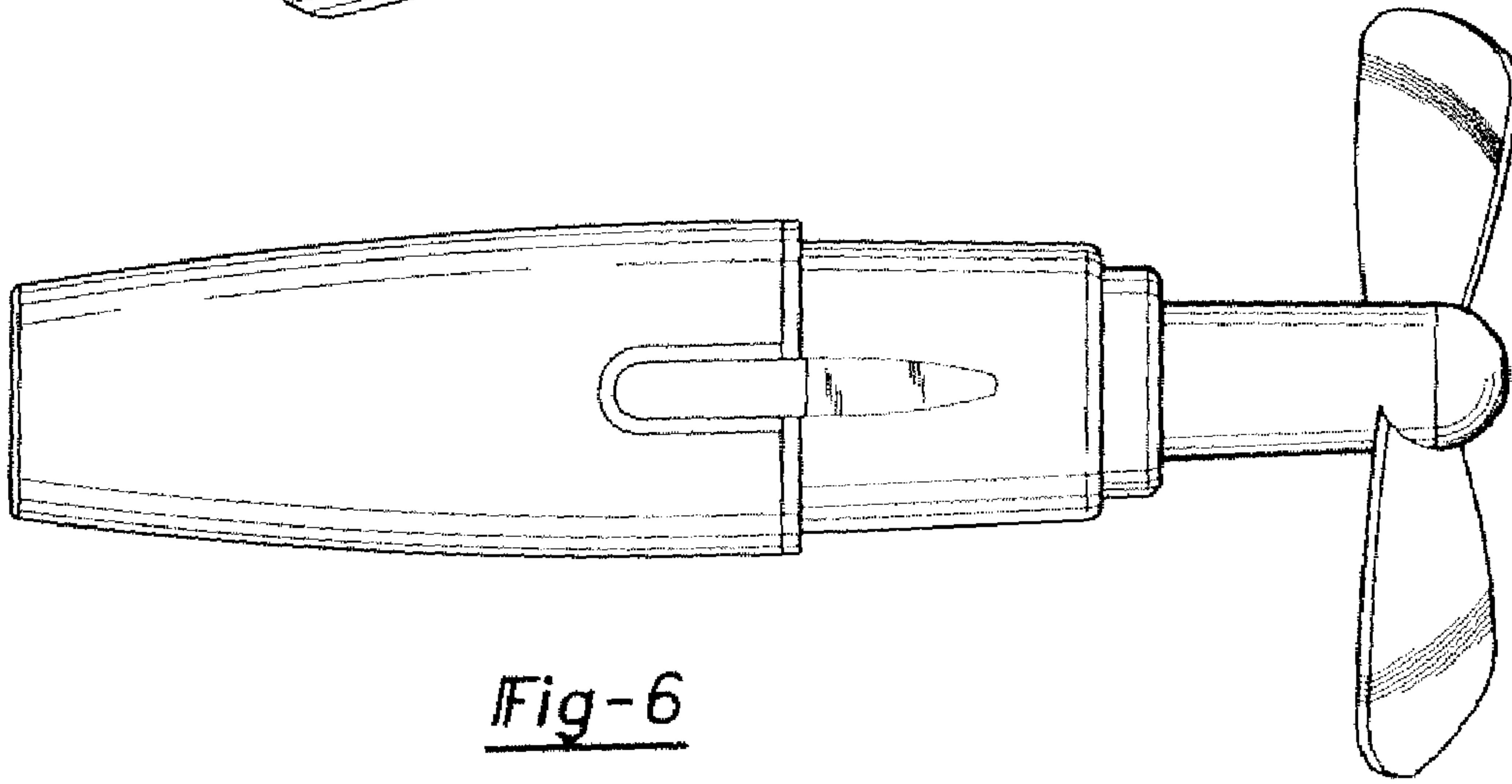
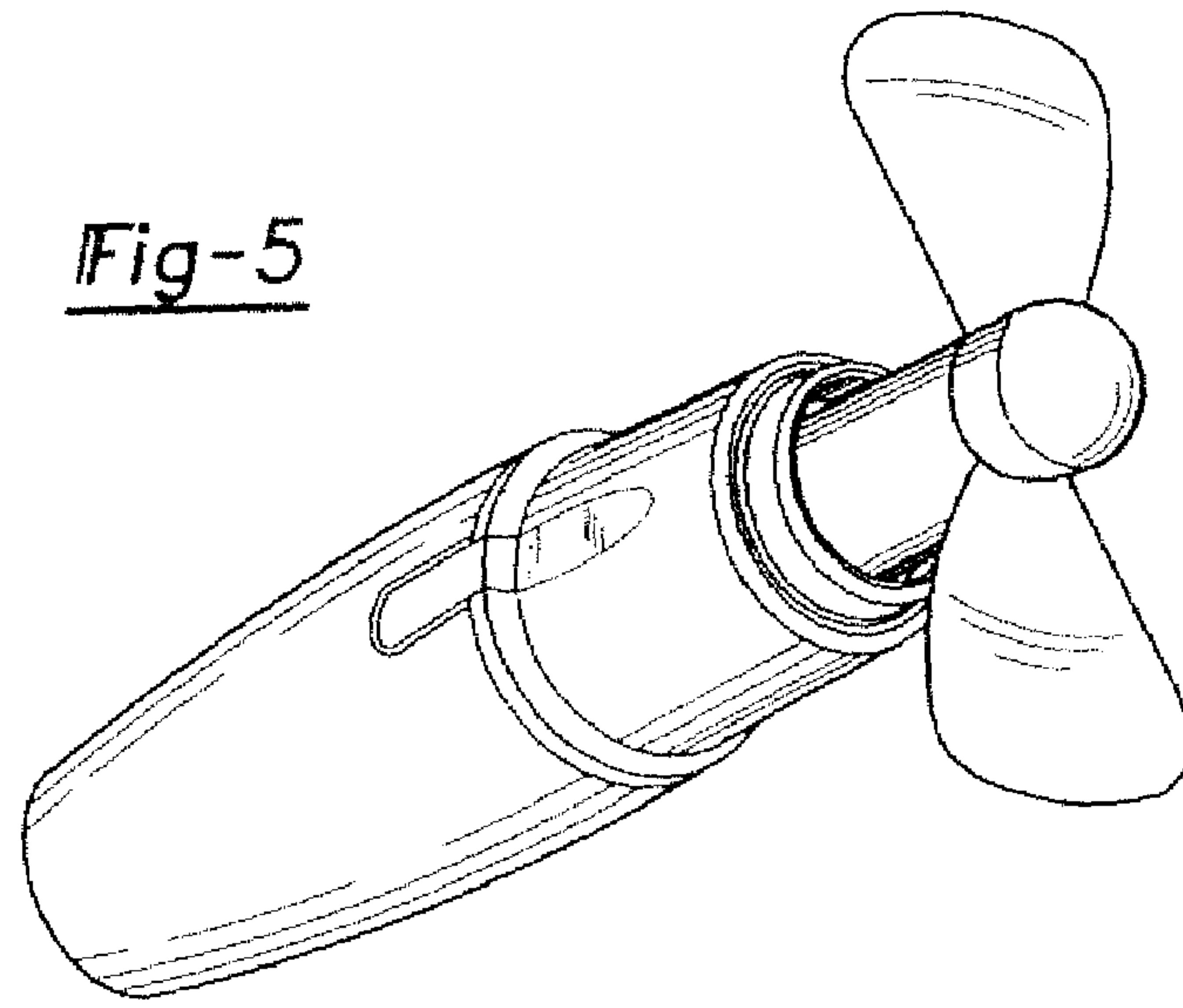


Fig-7

Fig-8