

US00D564078S

(12) **United States Design Patent**  
**Hobby, III**

(10) **Patent No.:** **US D564,078 S**

(45) **Date of Patent:** **\*\* Mar. 11, 2008**

(54) **KITCHEN SINK**

(76) **Inventor:** **William M. Hobby, III**, 157 E. New England Ave., Suite 375, Winter Park, FL (US) 32789

(\*\*) **Term:** **14 Years**

(21) **Appl. No.:** **29/273,103**

(22) **Filed:** **Feb. 27, 2007**

(51) **LOC (8) Cl.** ..... **23-02**

(52) **U.S. Cl.** ..... **D23/284**

(58) **Field of Classification Search** ..... D23/271-274, D23/284-293.1, 303, 308; 4/619, 624, 661  
See application file for complete search history.

(56) **References Cited**

**U.S. PATENT DOCUMENTS**

D337,377 S \* 7/1993 Bonnell et al. .... D23/284  
D497,201 S \* 10/2004 Rachiele ..... D23/293.1

\* cited by examiner

*Primary Examiner*—Robert A. Delehanty

(74) *Attorney, Agent, or Firm*—William M. Hobby, III

(57) **CLAIM**

The ornamental design for a kitchen sink, as shown and described.

**DESCRIPTION**

FIG. 1 is a front left side perspective view of my new kitchen sink;

FIG. 2 is a front elevation;

FIG. 3 is a rear elevation;

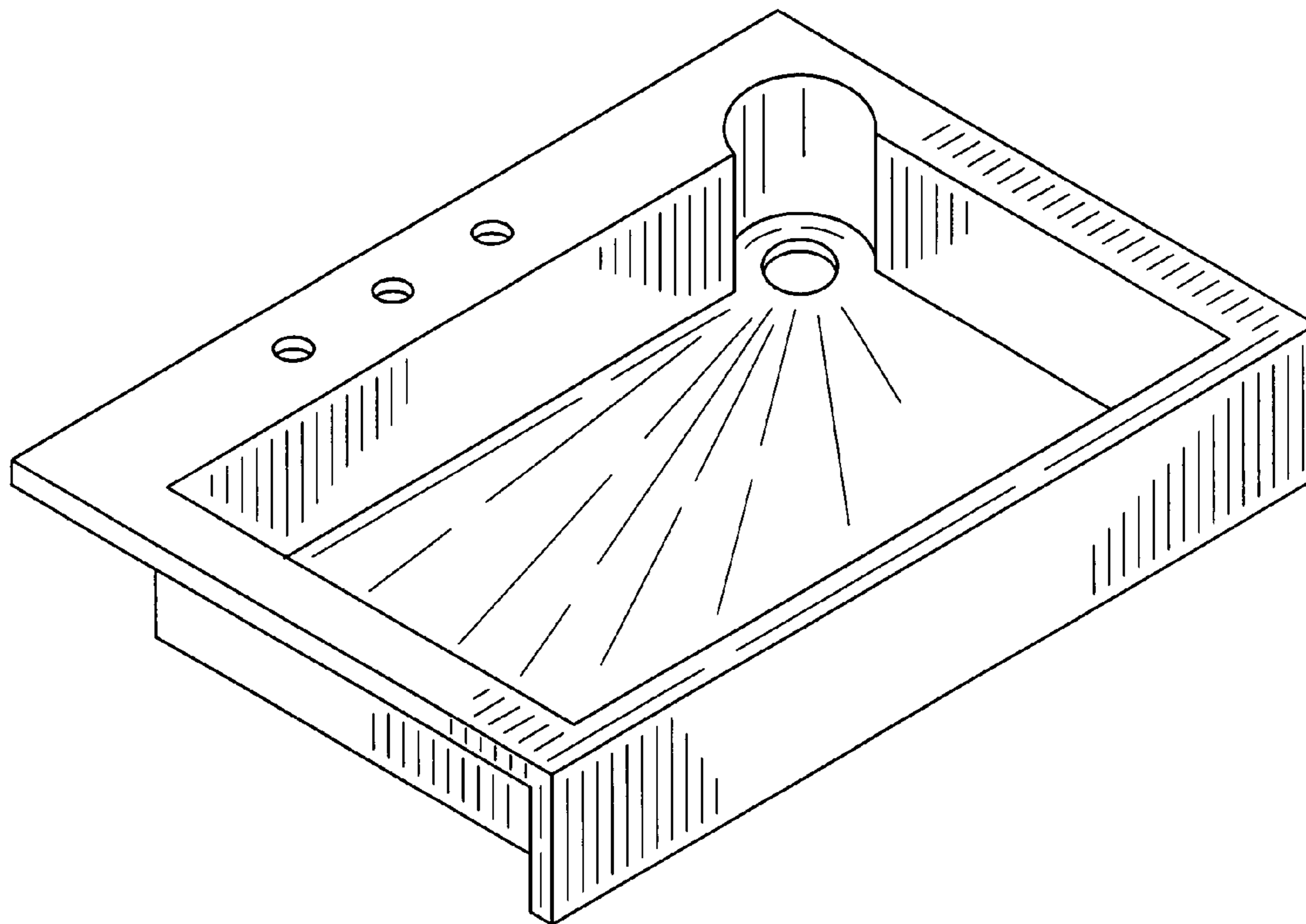
FIG. 4 is a right side elevation;

FIG. 5 is a left side view;

FIG. 6 is a top plan view; and,

FIG. 7 is a bottom plan view.

**1 Claim, 2 Drawing Sheets**



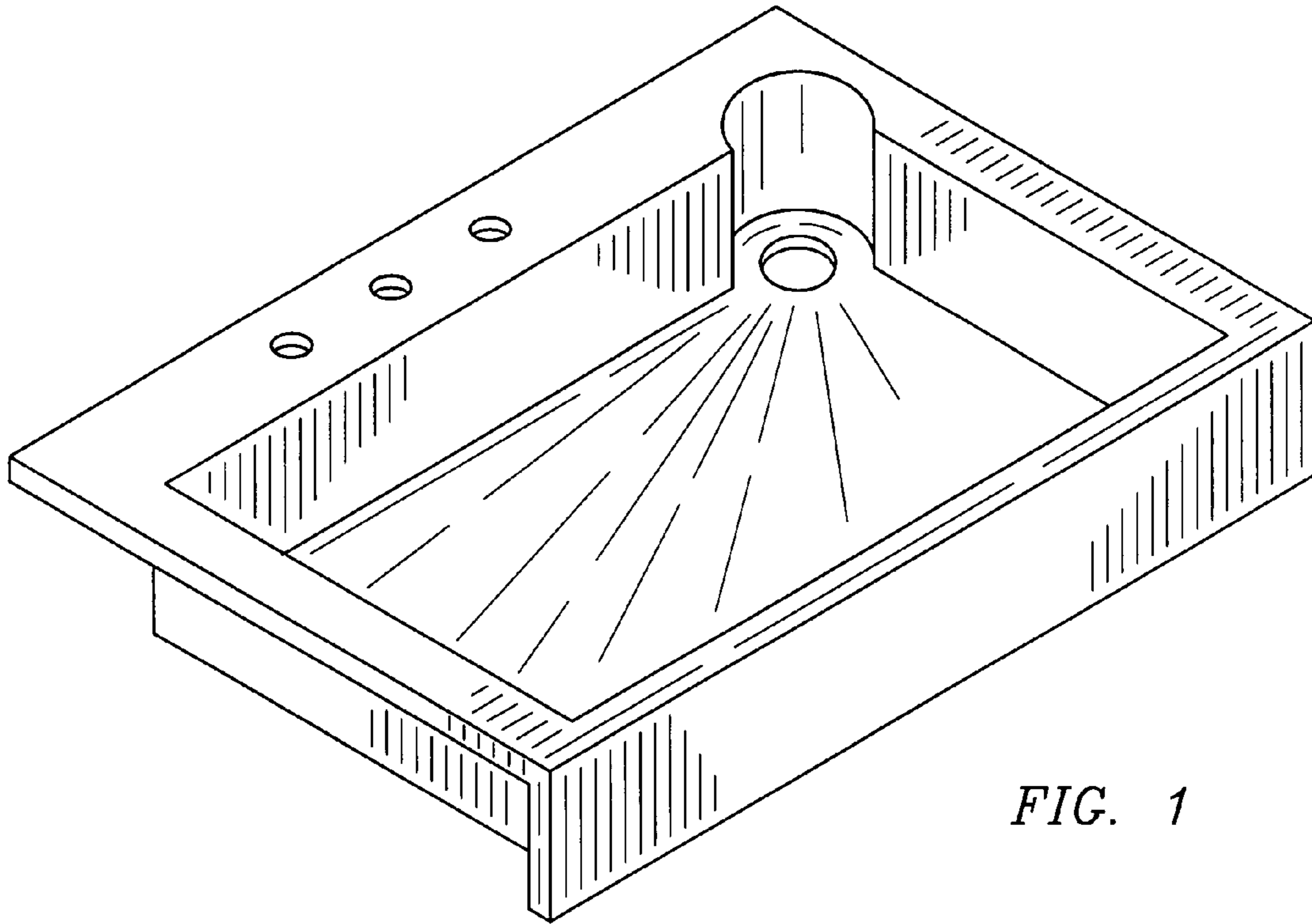


FIG. 1



FIG. 2

FIG. 3

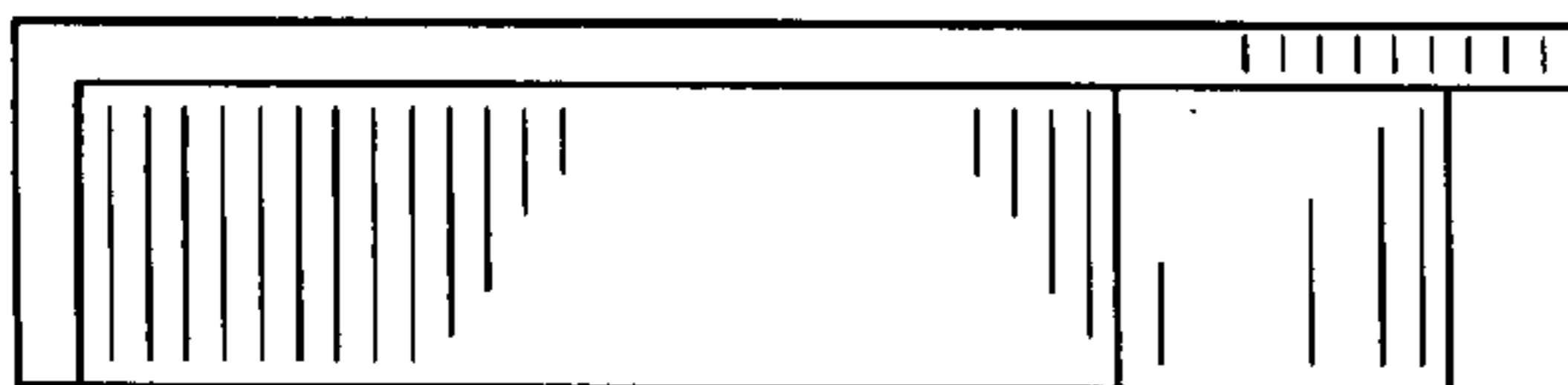


FIG. 4

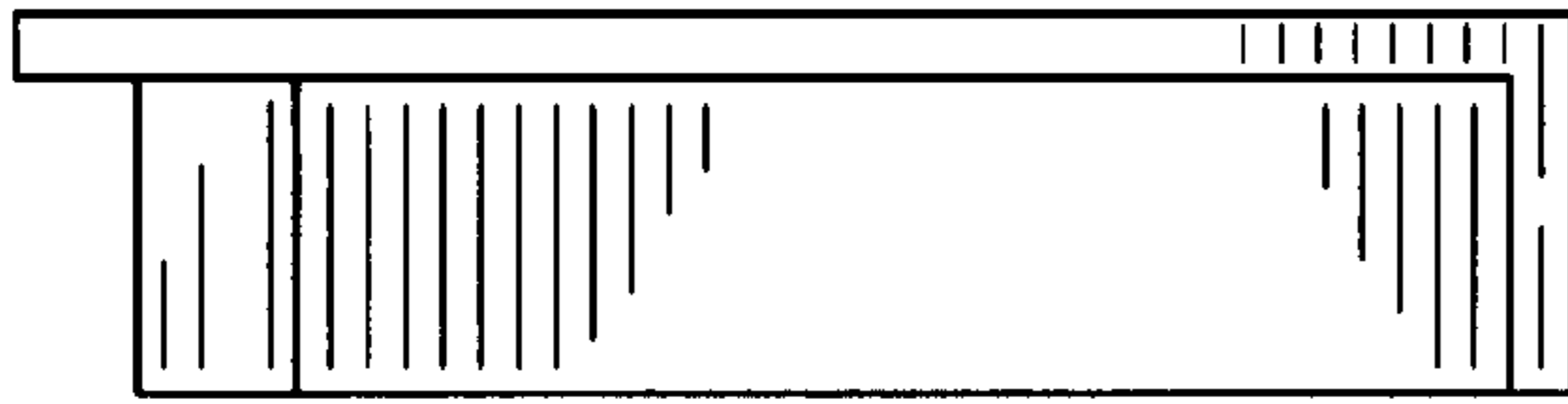


FIG. 5

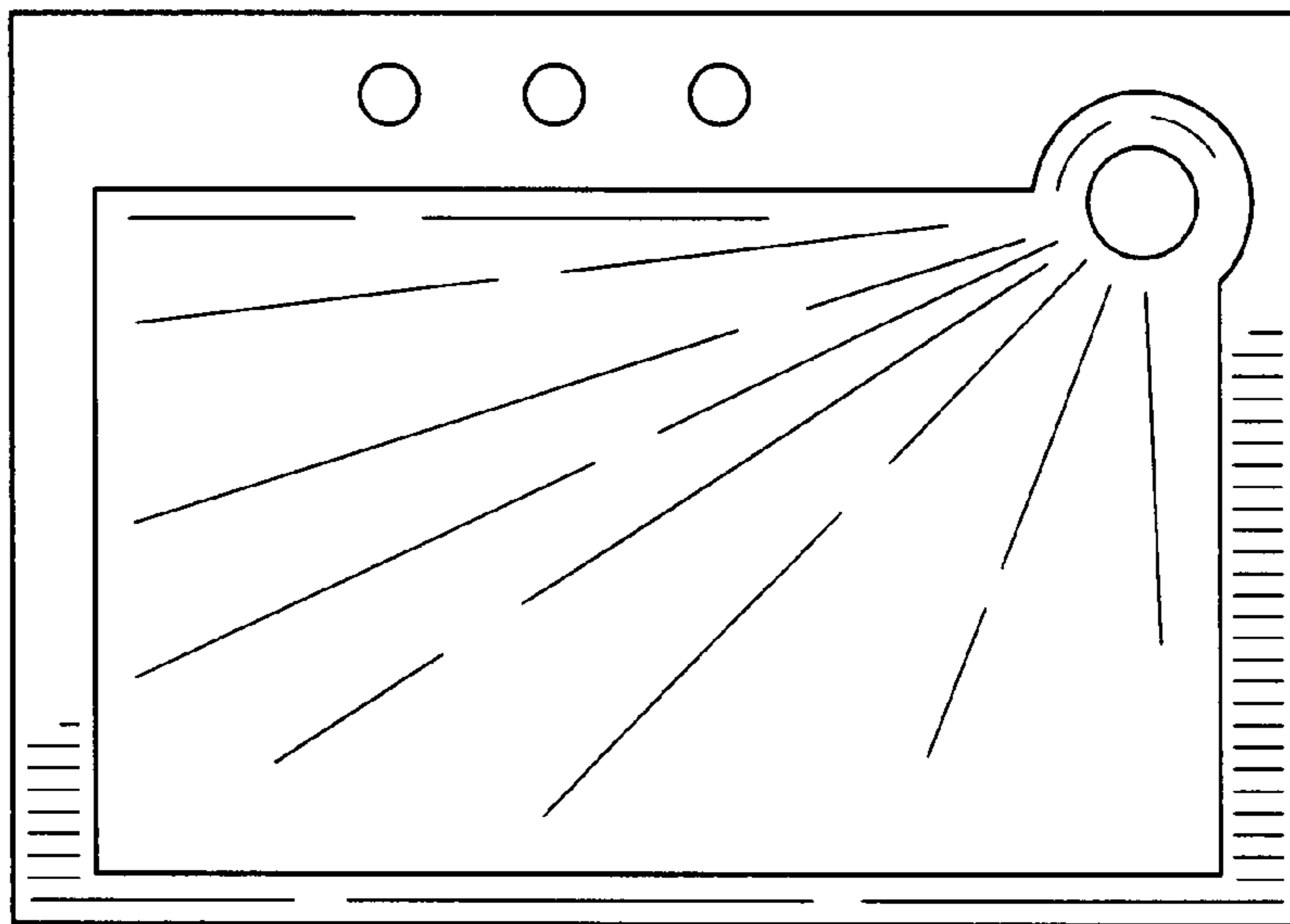


FIG. 6

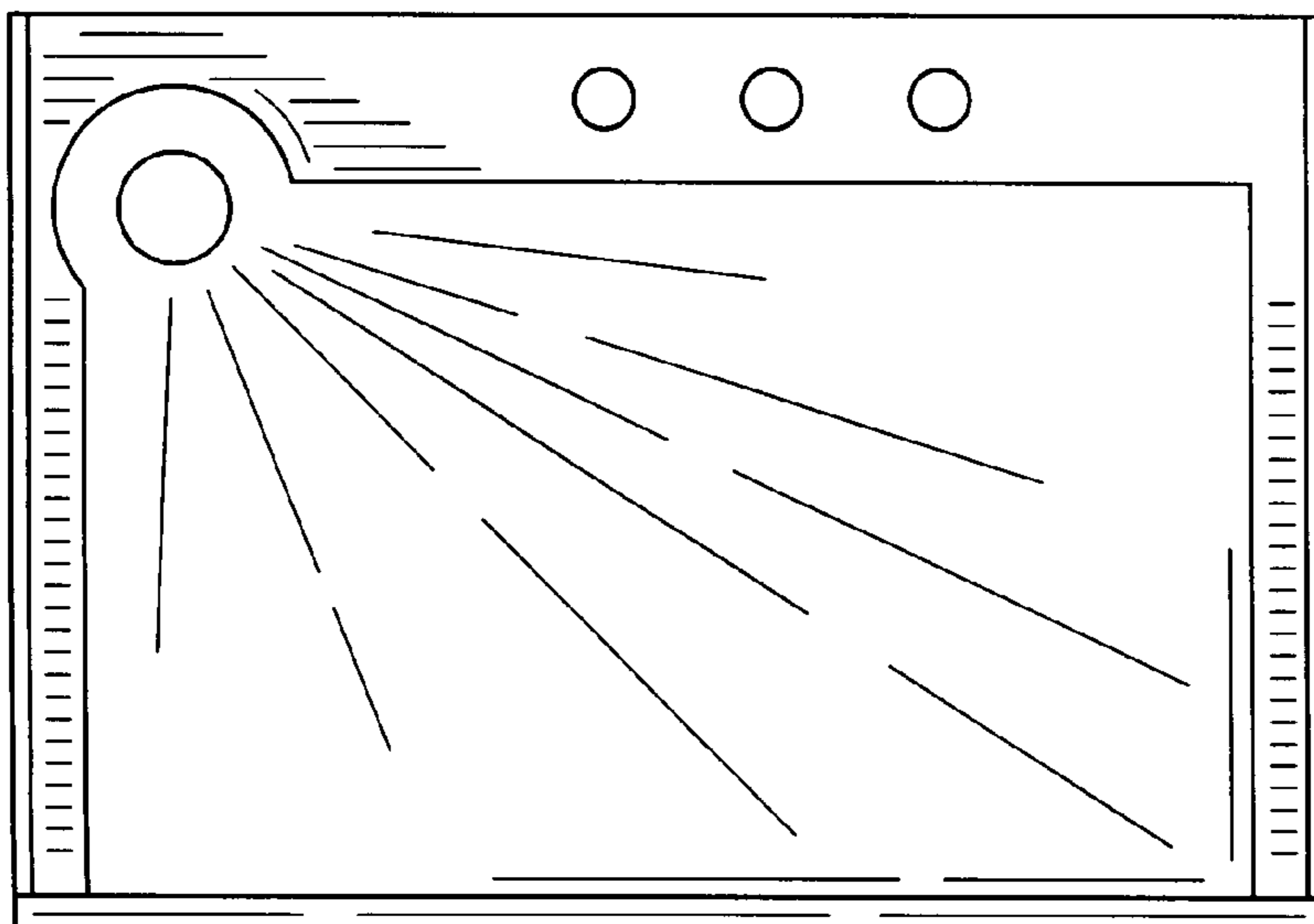


FIG. 7

UNITED STATES PATENT AND TRADEMARK OFFICE  
**CERTIFICATE OF CORRECTION**

PATENT NO. : Des. 564,078 S  
APPLICATION NO. : 29/273103  
DATED : March 11, 2008  
INVENTOR(S) : Dino F. Rachiele

Page 1 of 1

It is certified that error appears in the above-identified patent and that said Letters Patent is hereby corrected as shown below:

Title page, item [75] Inventor "William M. Hobby, III, 157 E. New England Ave., Suite 375, Winter Park, FL (US) 32789" and should read: --Dino F. Rachiele, 2611 Concourse Road, Apopka, FL (US) 32703--.

Signed and Sealed this

Seventeenth Day of June, 2008

A handwritten signature in black ink that reads "Jon W. Dudas". The signature is written in a cursive style with a large, looped initial "J".

JON W. DUDAS

*Director of the United States Patent and Trademark Office*