



US00D564073S

(12) **United States Design Patent**
Shieh

(10) **Patent No.:** **US D564,073 S**
(45) **Date of Patent:** **** Mar. 11, 2008**

(54) **MIXING FAUCET**

(75) Inventor: **Ming-Dang Shieh**, Changhua (TW)

(73) Assignee: **Horng Lai Industrial Co., Ltd.**,
Changhua (TW)

(**) Term: **14 Years**

(21) Appl. No.: **29/249,133**

(22) Filed: **Sep. 22, 2006**

(51) **LOC (8) Cl.** **23-01**

(52) **U.S. Cl.** **D23/238**

(58) **Field of Classification Search** D23/238-250,
D23/252-255; 4/671-678; 137/801, 615
See application file for complete search history.

(56) **References Cited**

U.S. PATENT DOCUMENTS

D311,438 S	*	10/1990	Strignano	D23/242
D312,495 S	*	11/1990	Joerger	D23/242
D317,495 S	*	6/1991	Kohler et al.	D23/241
D350,183 S	*	8/1994	Joerger	D23/242
D373,179 S	*	8/1996	Sieger	D23/241
D516,171 S	*	2/2006	Meylan	D23/238
D516,677 S	*	3/2006	Haug et al.	D23/242
D517,171 S	*	3/2006	Shieh	D23/242
D528,189 S	*	9/2006	Kulig	D23/238

D531,698 S	*	11/2006	Wood et al.	D23/238
D535,724 S	*	1/2007	Zhou	D23/238
D535,725 S	*	1/2007	Chu et al.	D23/241
D538,894 S	*	3/2007	Hoernig	D23/241

* cited by examiner

Primary Examiner—Ian Simmons

Assistant Examiner—David G Muller

(74) *Attorney, Agent, or Firm*—Alan Kamrath; Kamrath & Associates PA

(57) **CLAIM**

The ornamental design for a mixing faucet, as shown and described.

DESCRIPTION

FIG. 1 is a perspective view of a mixing faucet showing my design;

FIG. 2 is a front view thereof;

FIG. 3 is a rear view thereof;

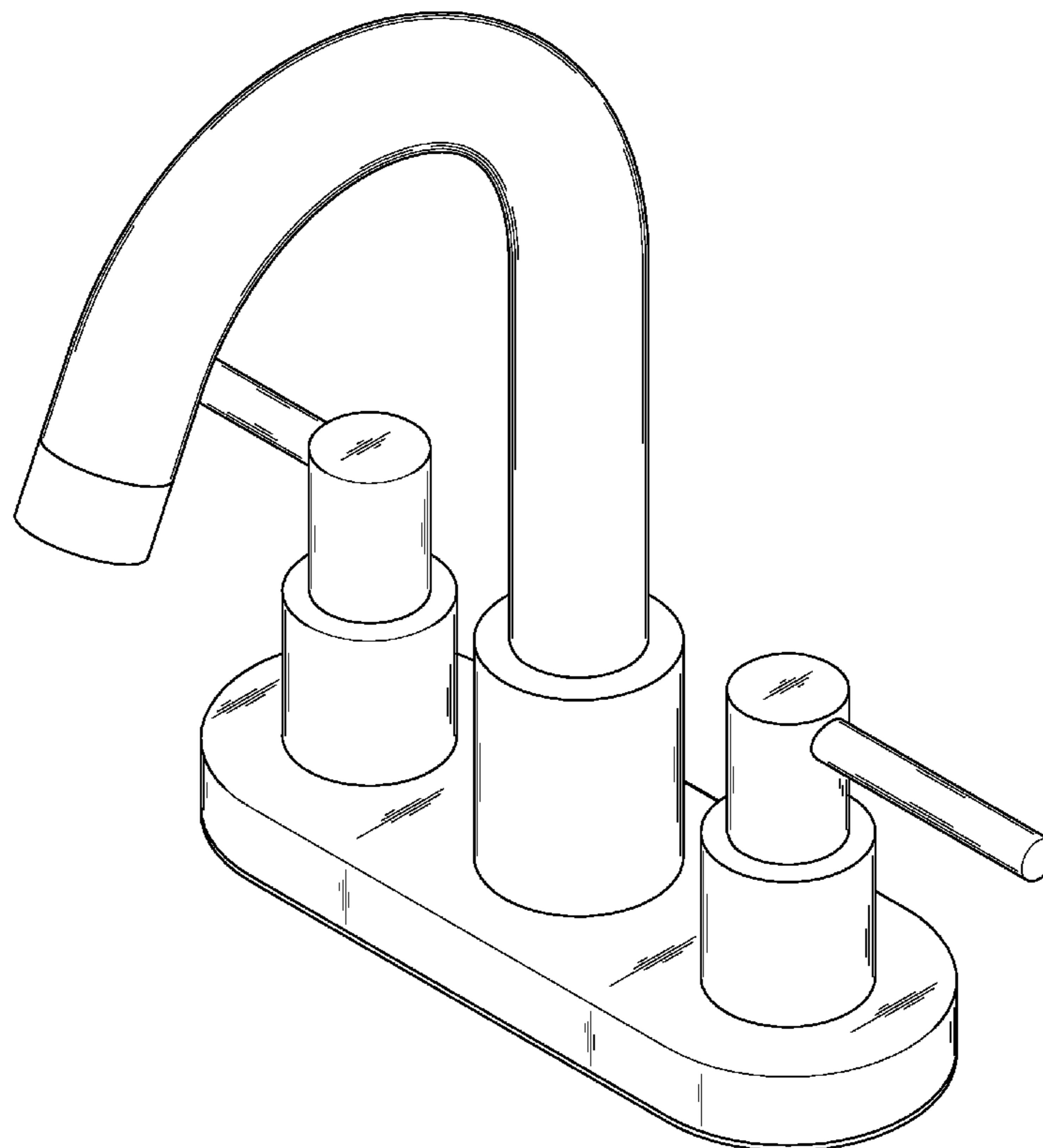
FIG. 4 is a left side view thereof;

FIG. 5 is a right side view thereof;

FIG. 6 is a top plan view thereof; and,

FIG. 7 is a bottom plan view thereof.

1 Claim, 6 Drawing Sheets



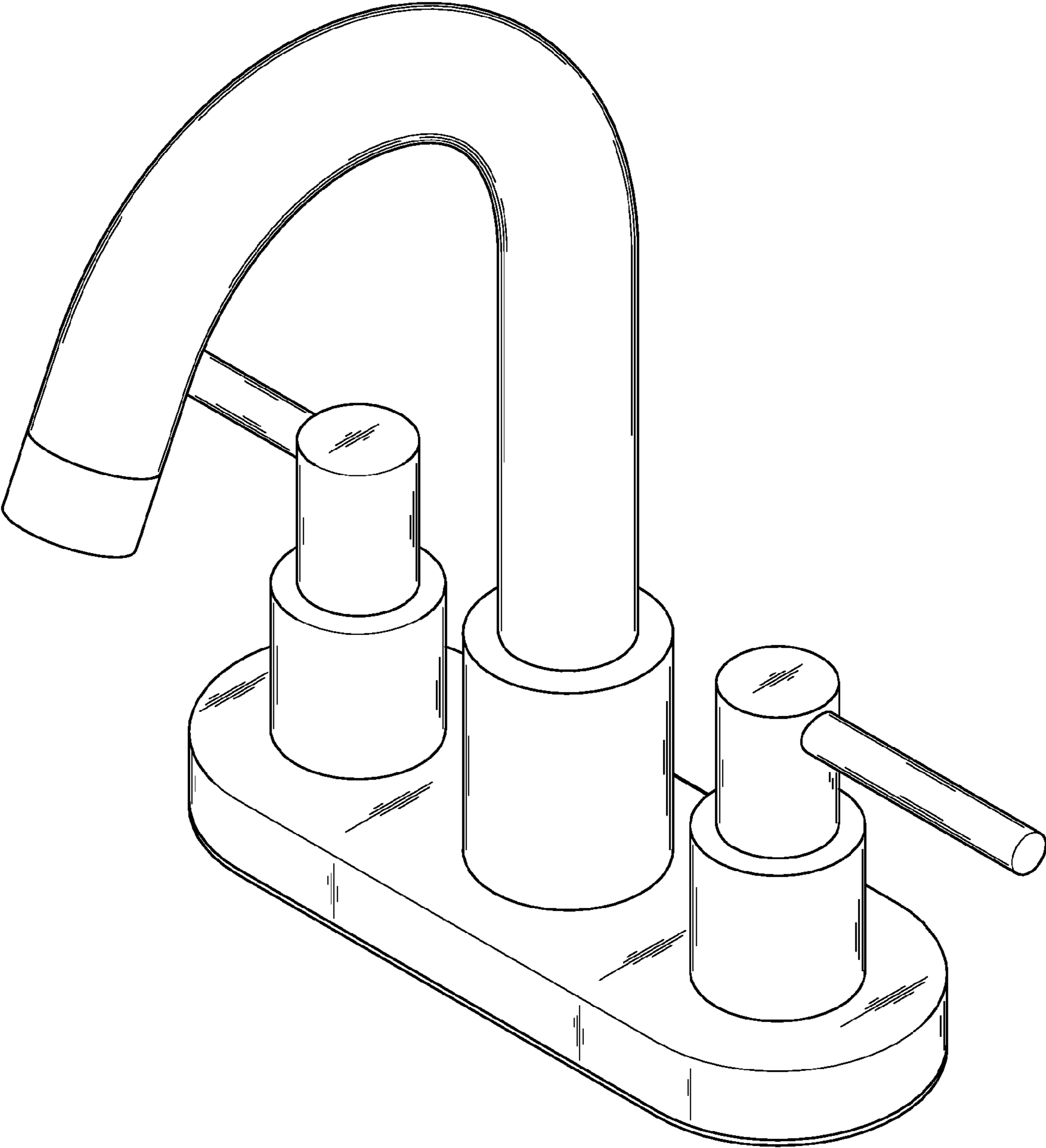


FIG. 1

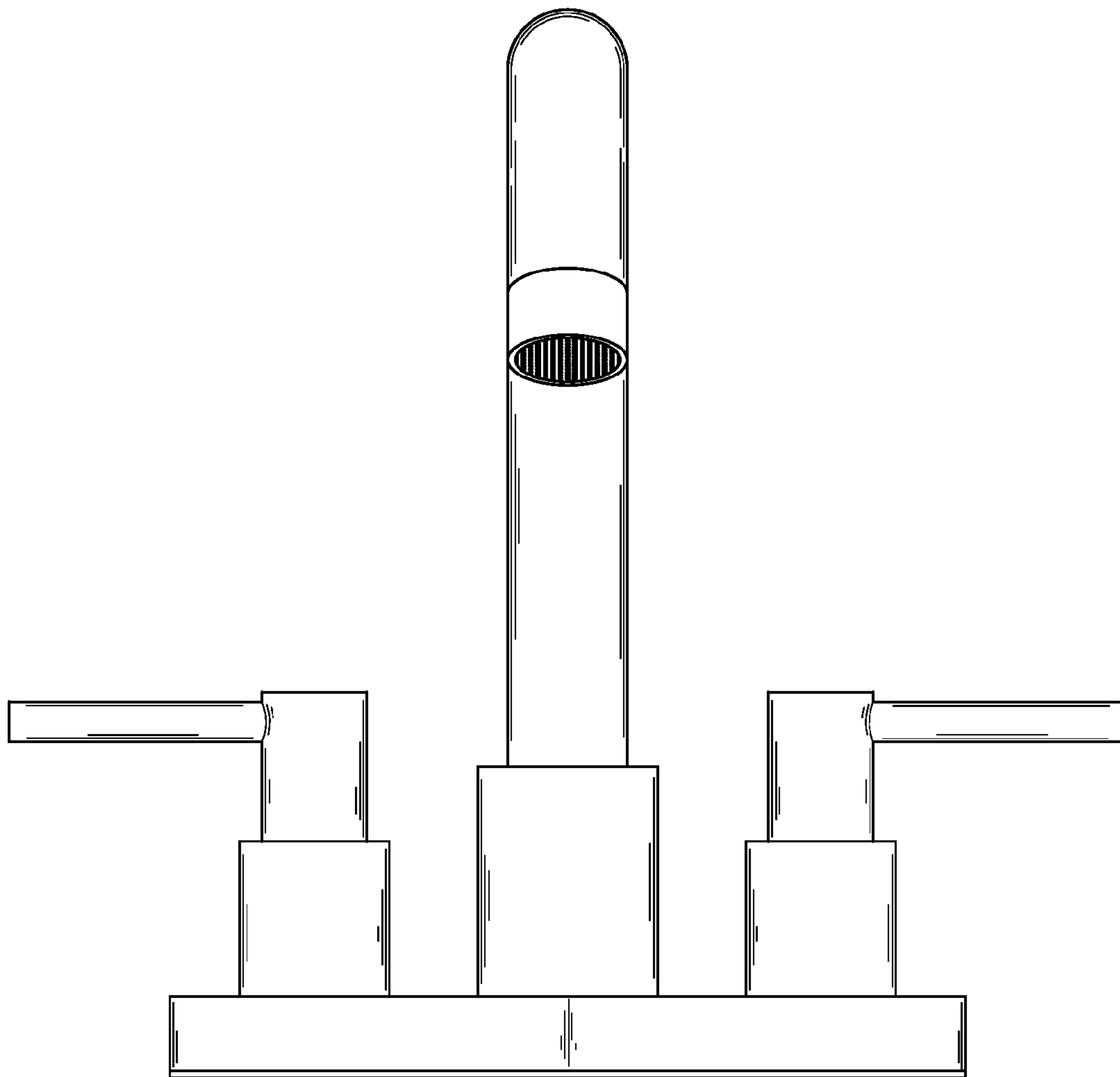


FIG. 2

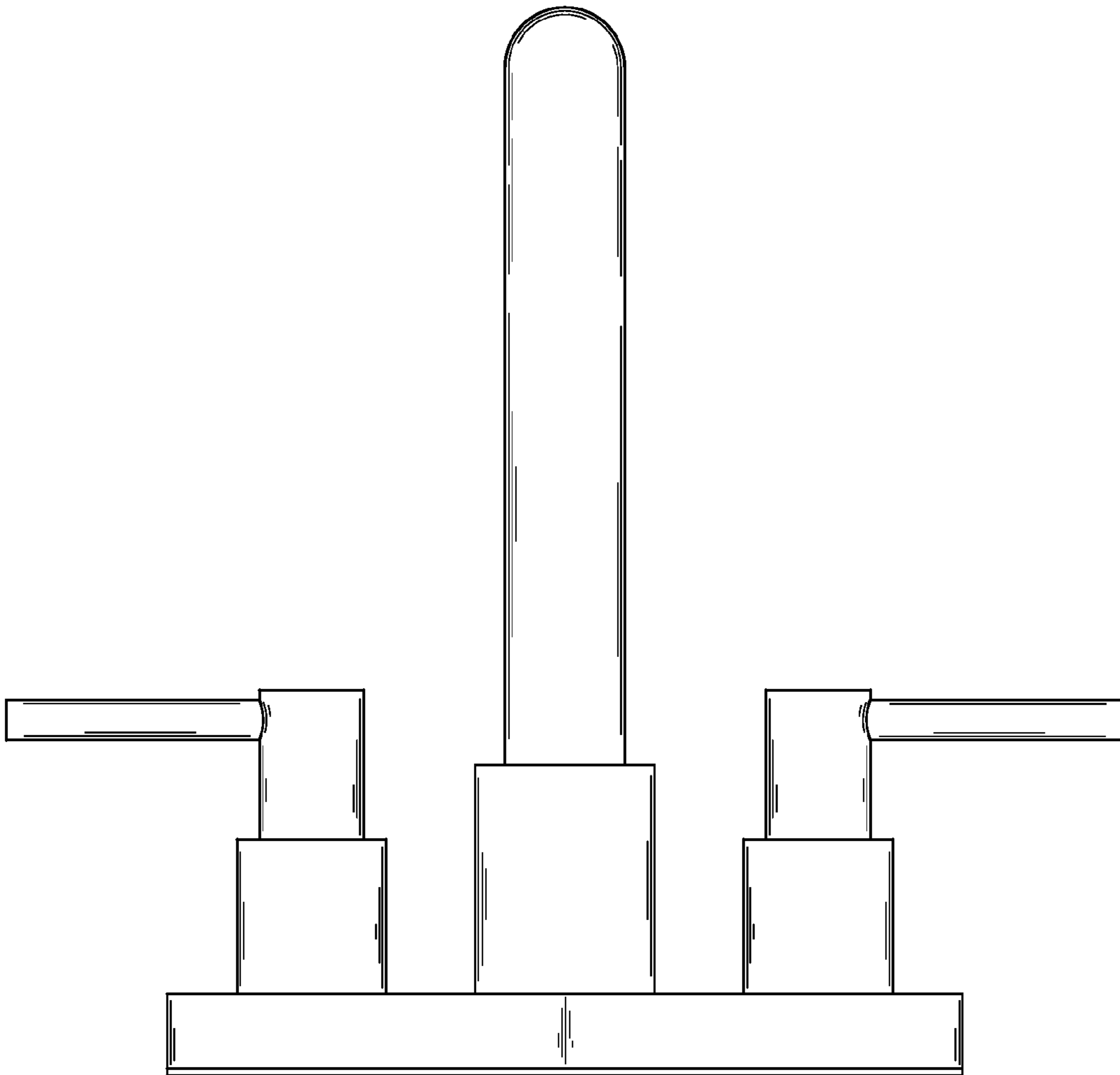


FIG. 3

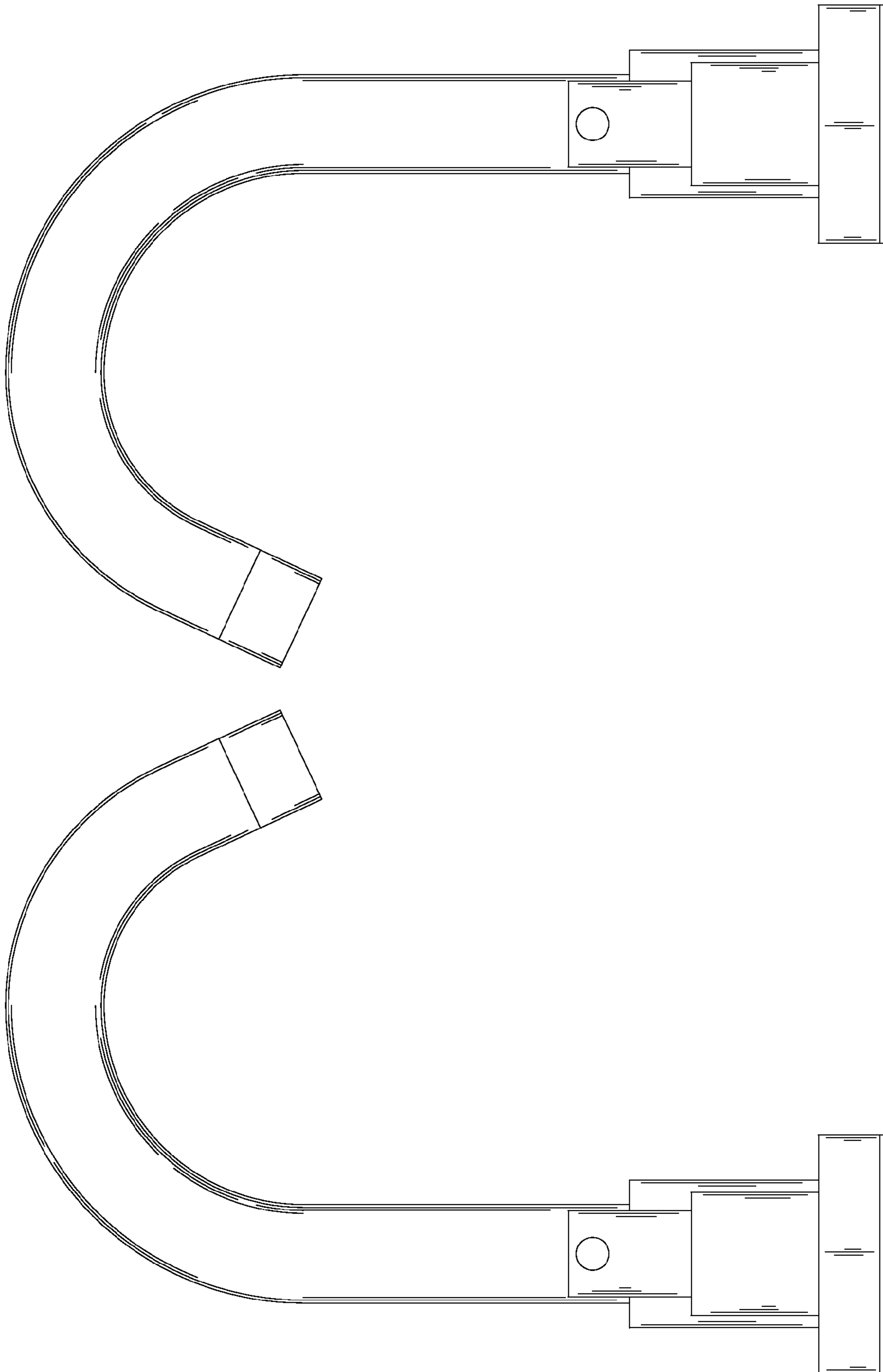


FIG. 5

FIG. 4

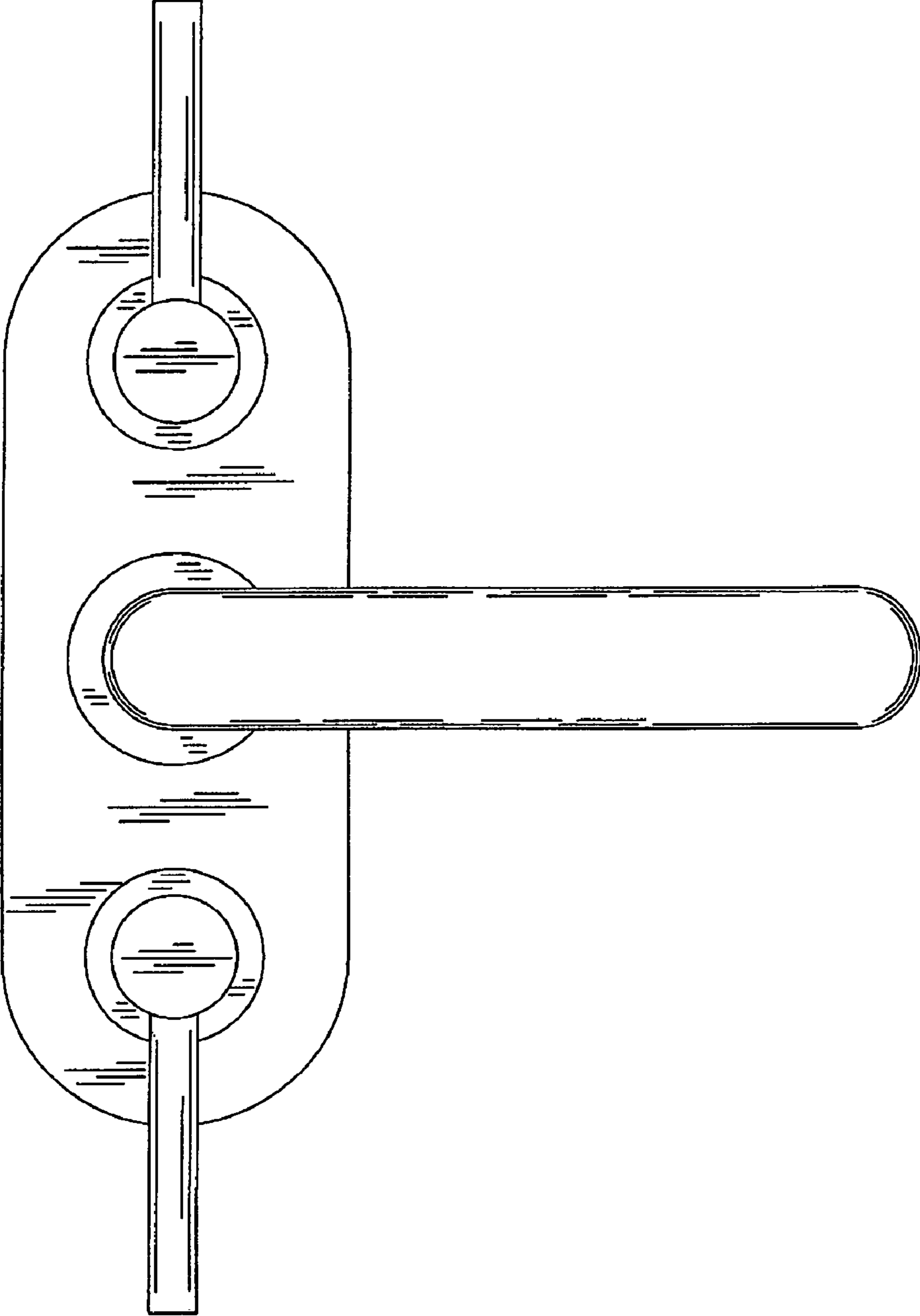


FIG. 6

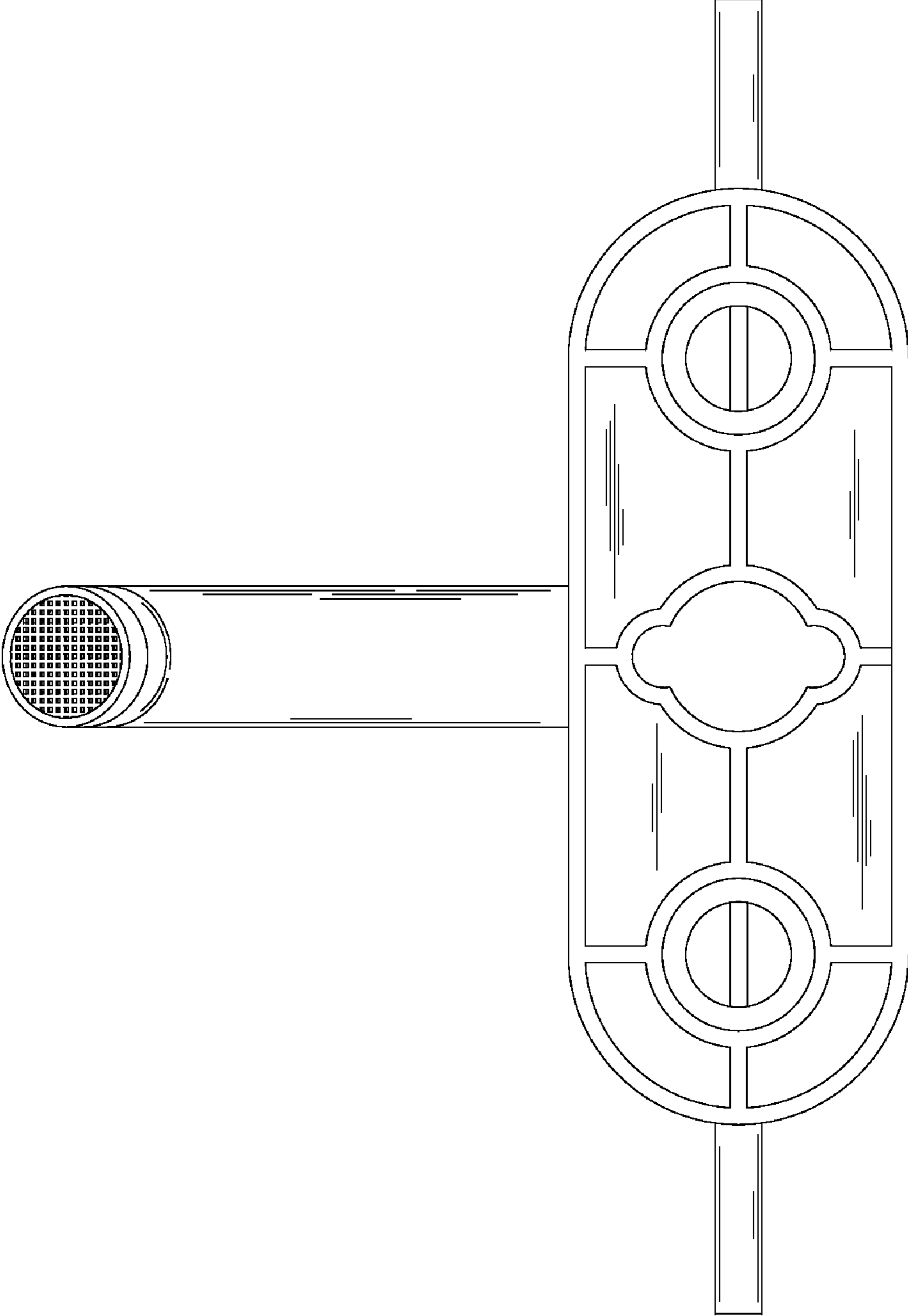


FIG. 7