



US00D564071S

(12) **United States Design Patent**
Tsai

(10) **Patent No.:** **US D564,071 S**
(45) **Date of Patent:** **** Mar. 11, 2008**

(54) **SHOWER DEVICE**

D540,424 S * 4/2007 Kirar D23/213
D549,302 S * 8/2007 Haug et al. D23/213

(76) Inventor: **Pi Kuang Tsai**, 3F-6, No. 321, Dadueh
4th Street, Nantun, Taichung 40867
(TW)

* cited by examiner

(**) Term: **14 Years**

Primary Examiner—Robin V Webster

(74) *Attorney, Agent, or Firm*—Charles E. Baxley

(21) Appl. No.: **29/288,132**

(57) **CLAIM**

(22) Filed: **May 30, 2007**

The ornamental design for a shower device, as shown and described.

(51) **LOC (8) Cl.** **23-01**

(52) **U.S. Cl.** **D23/229**

(58) **Field of Classification Search** D23/213,
D23/223, 229–230; 239/394, 282–283, 587.1;
4/552, 615

See application file for complete search history.

DESCRIPTION

FIG. 1 is an upper perspective view of a shower device showing my new design;

FIG. 2 is a front elevational view thereof;

FIG. 3 is a rear elevational view thereof;

FIG. 4 is a top plan view thereof;

FIG. 5 is a bottom plan view thereof;

FIG. 6 is a left side elevational view thereof;

FIG. 7 is a right side elevational view thereof; and,

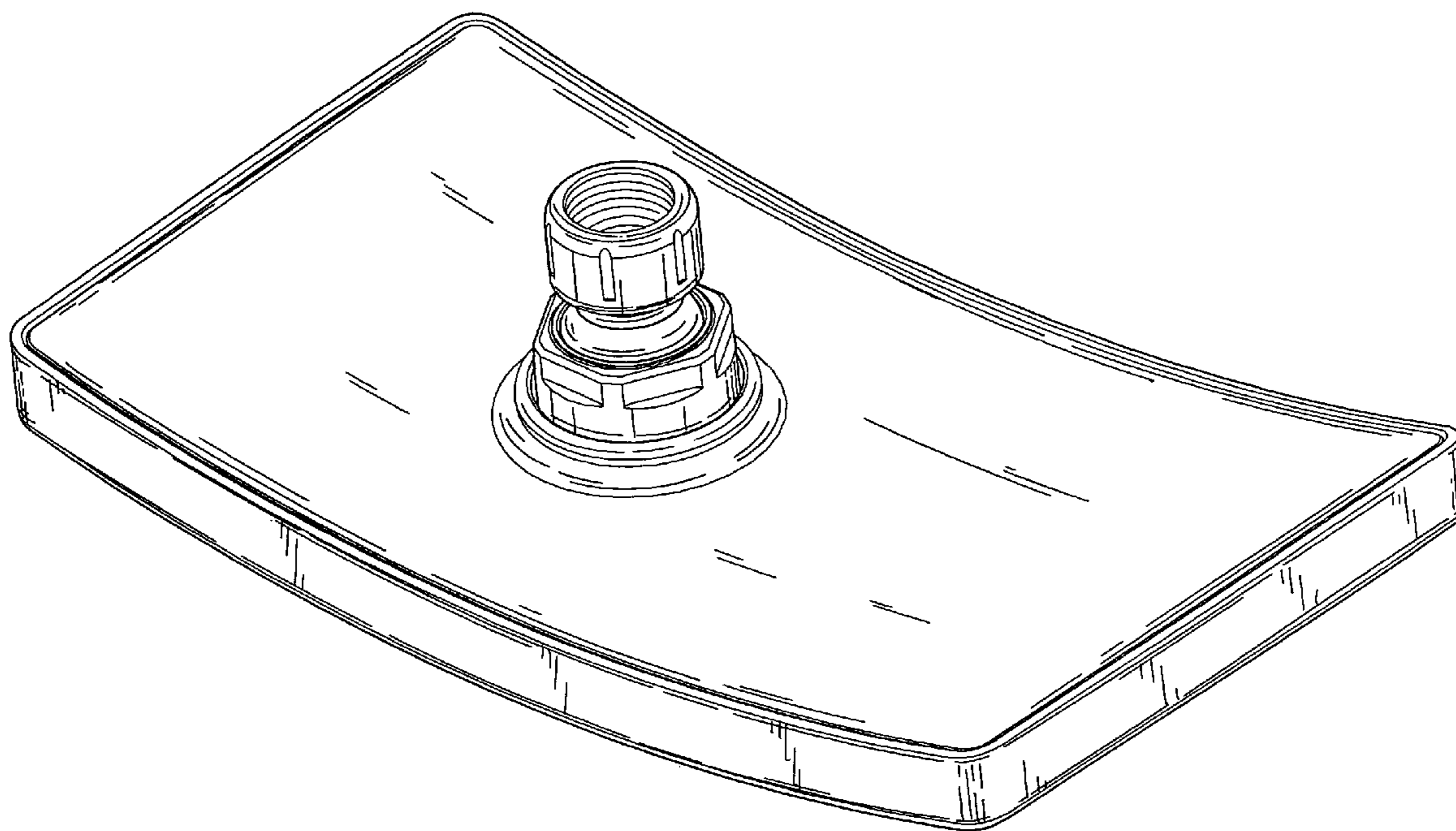
FIG. 8 is a bottom perspective view thereof, the shower supply pipe depicted by means of broken lines being for illustrative purposes only and forming no part of the claimed design.

(56) **References Cited**

U.S. PATENT DOCUMENTS

3,465,968	A *	9/1969	Halpern	239/504
D427,662	S *	7/2000	Coscarelli	D23/229
6,508,415	B2 *	1/2003	Wang	239/526
D509,282	S *	9/2005	Blomstrom	D23/229
D523,925	S *	6/2006	Hoernig	D23/213
7,097,122	B1 *	8/2006	Farley	239/553
D531,260	S *	10/2006	Luo et al.	D23/213
D532,076	S *	11/2006	Mazzola	D23/213
D533,253	S *	12/2006	Luetgen et al.	D23/229

1 Claim, 8 Drawing Sheets



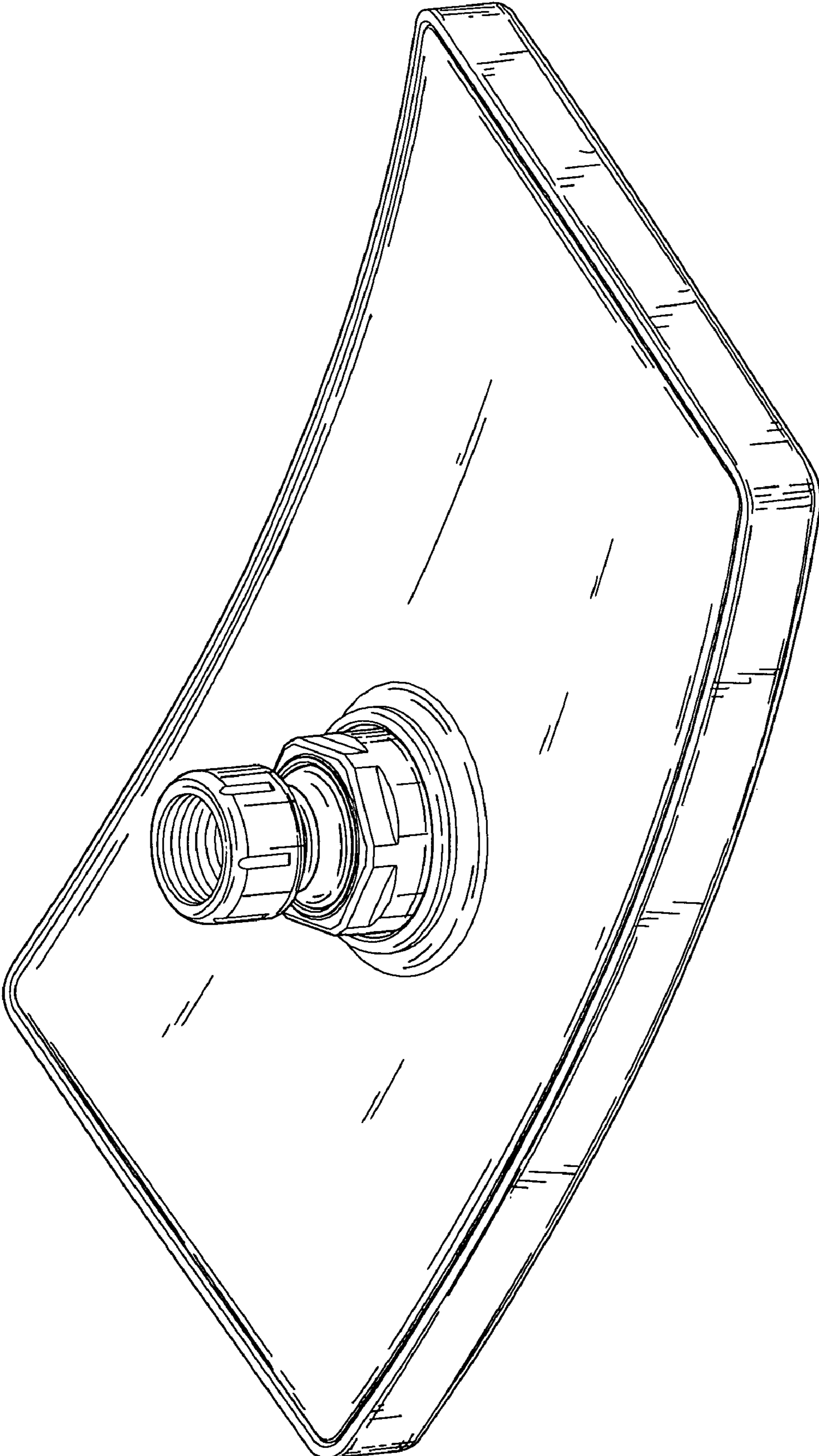


FIG. 1

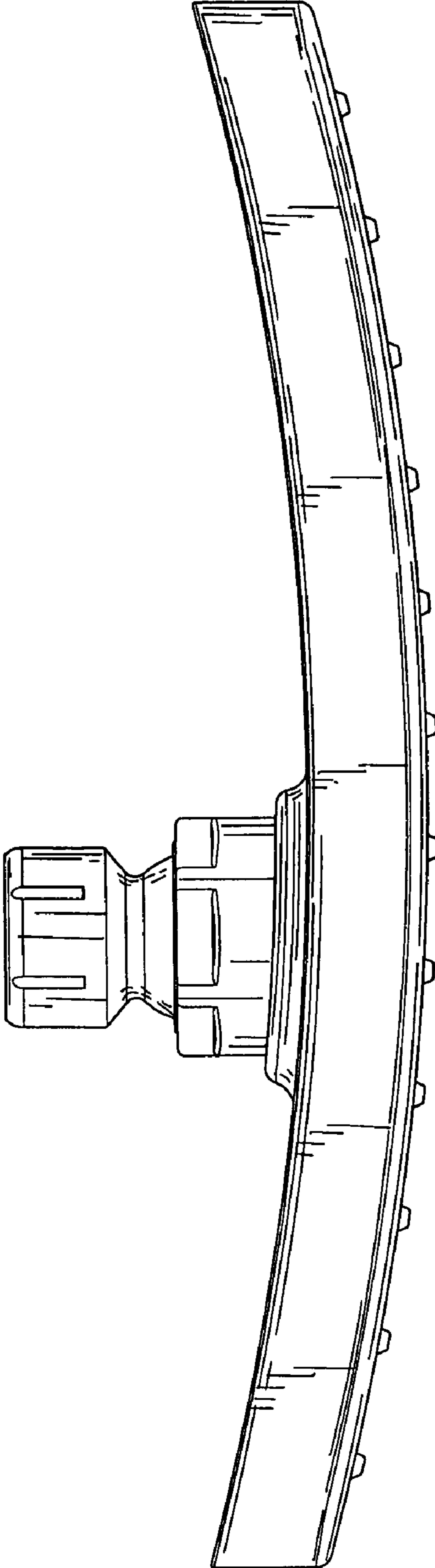


FIG. 2

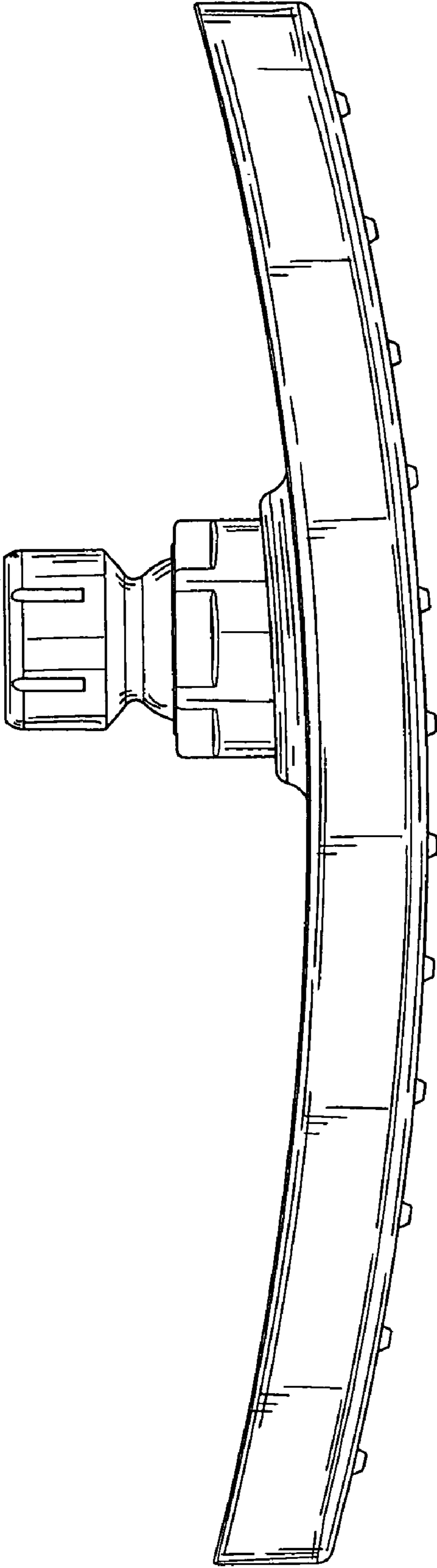


FIG. 3

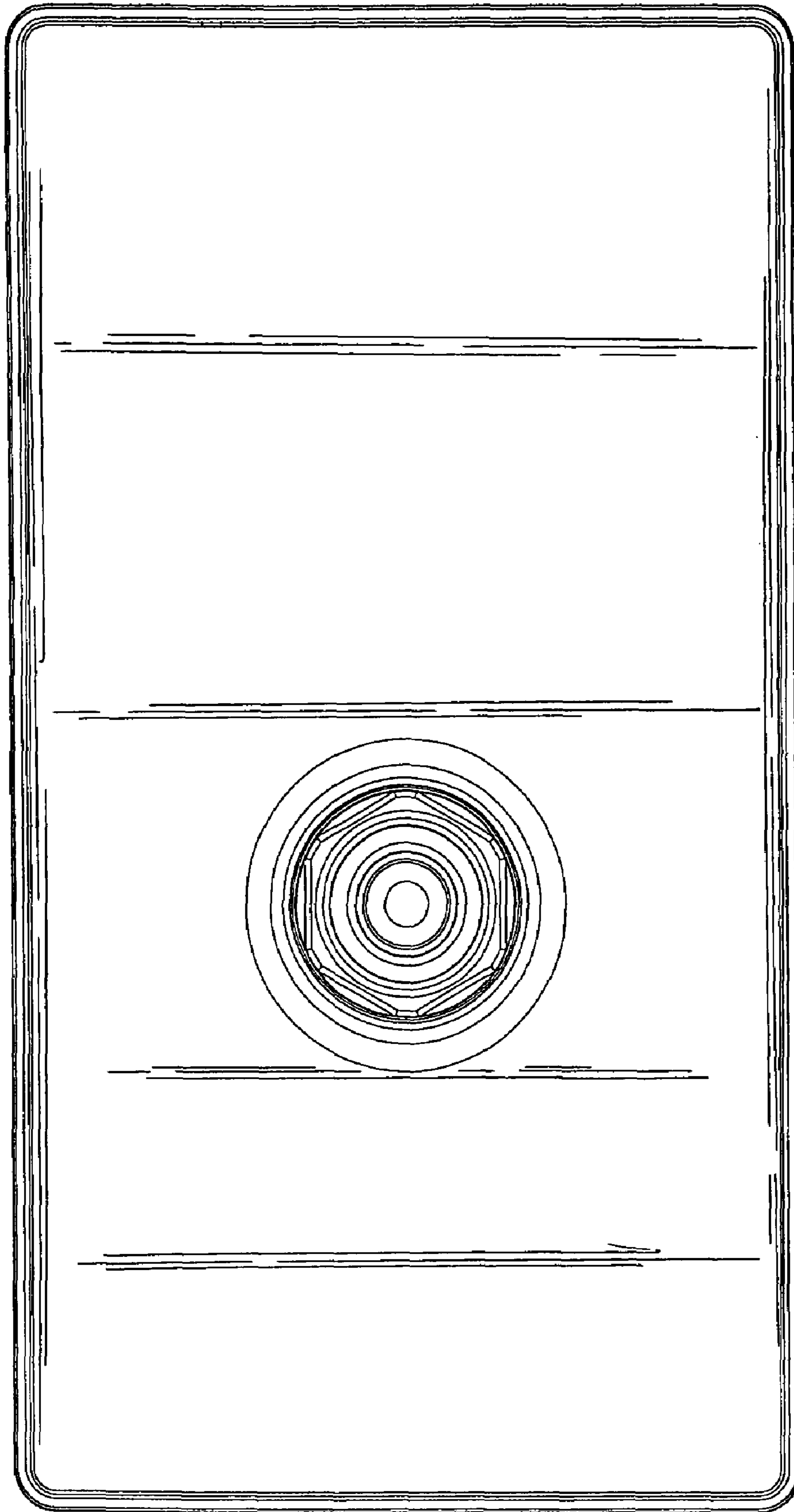


FIG. 4

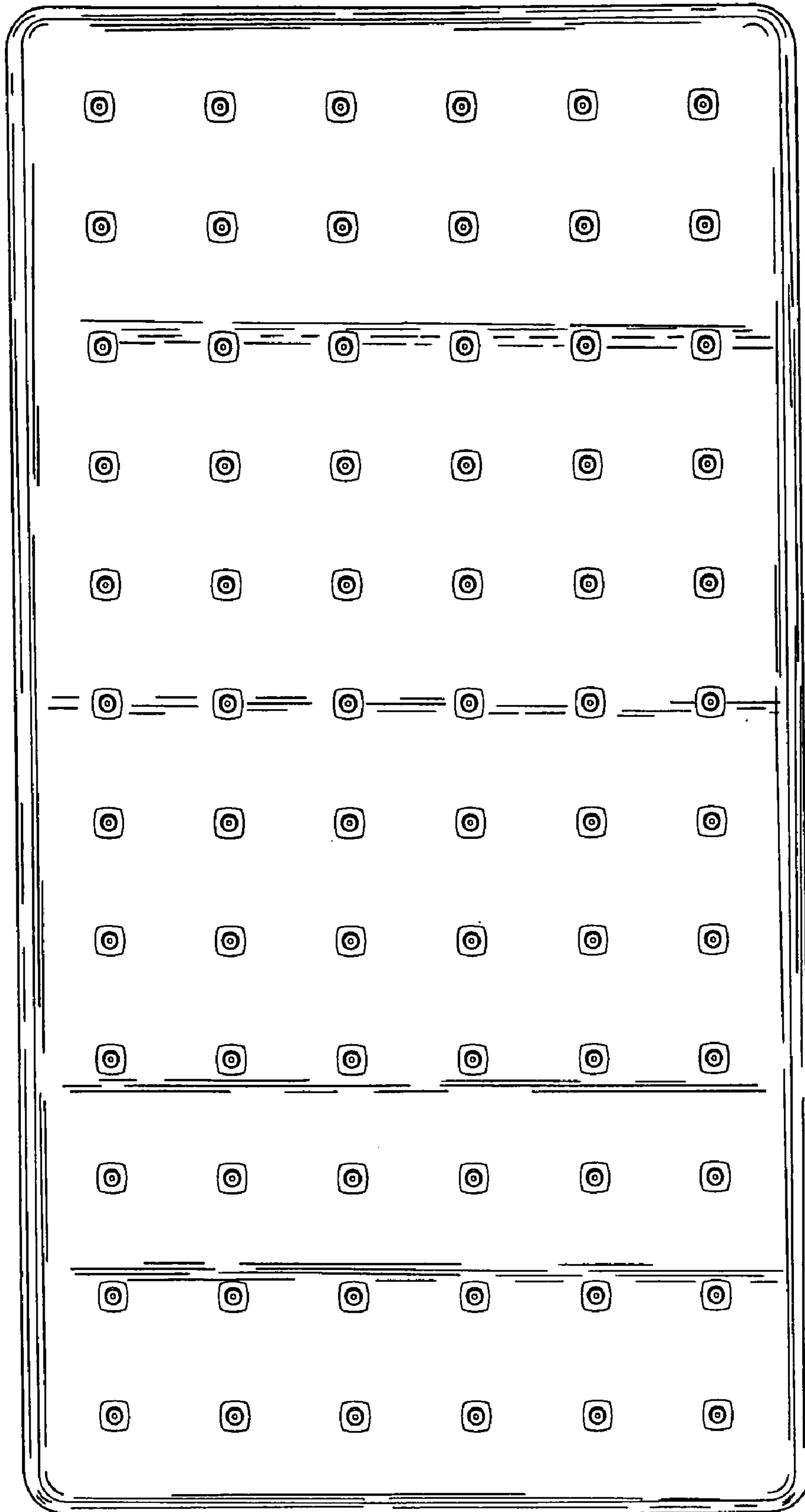


FIG. 5

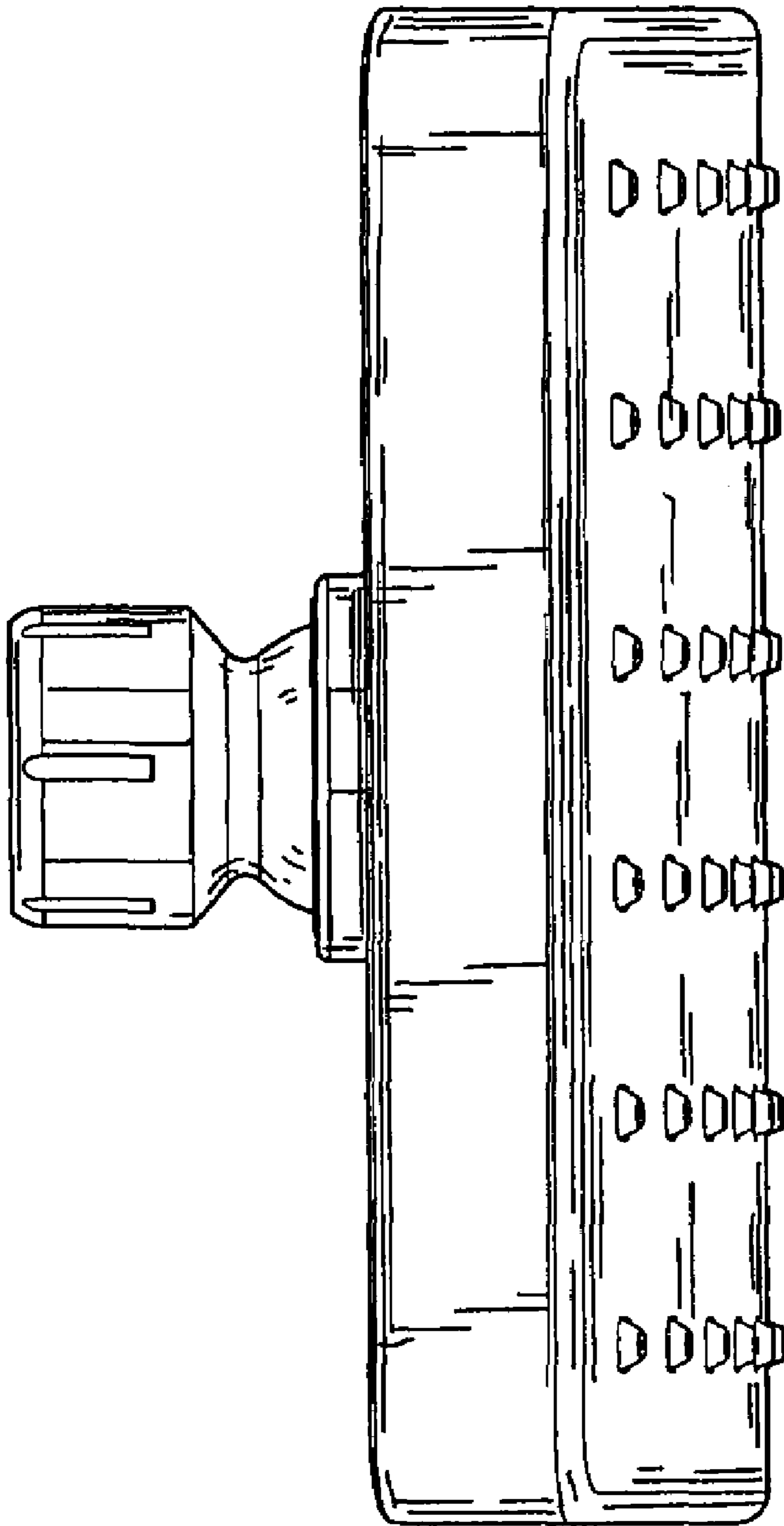


FIG. 6

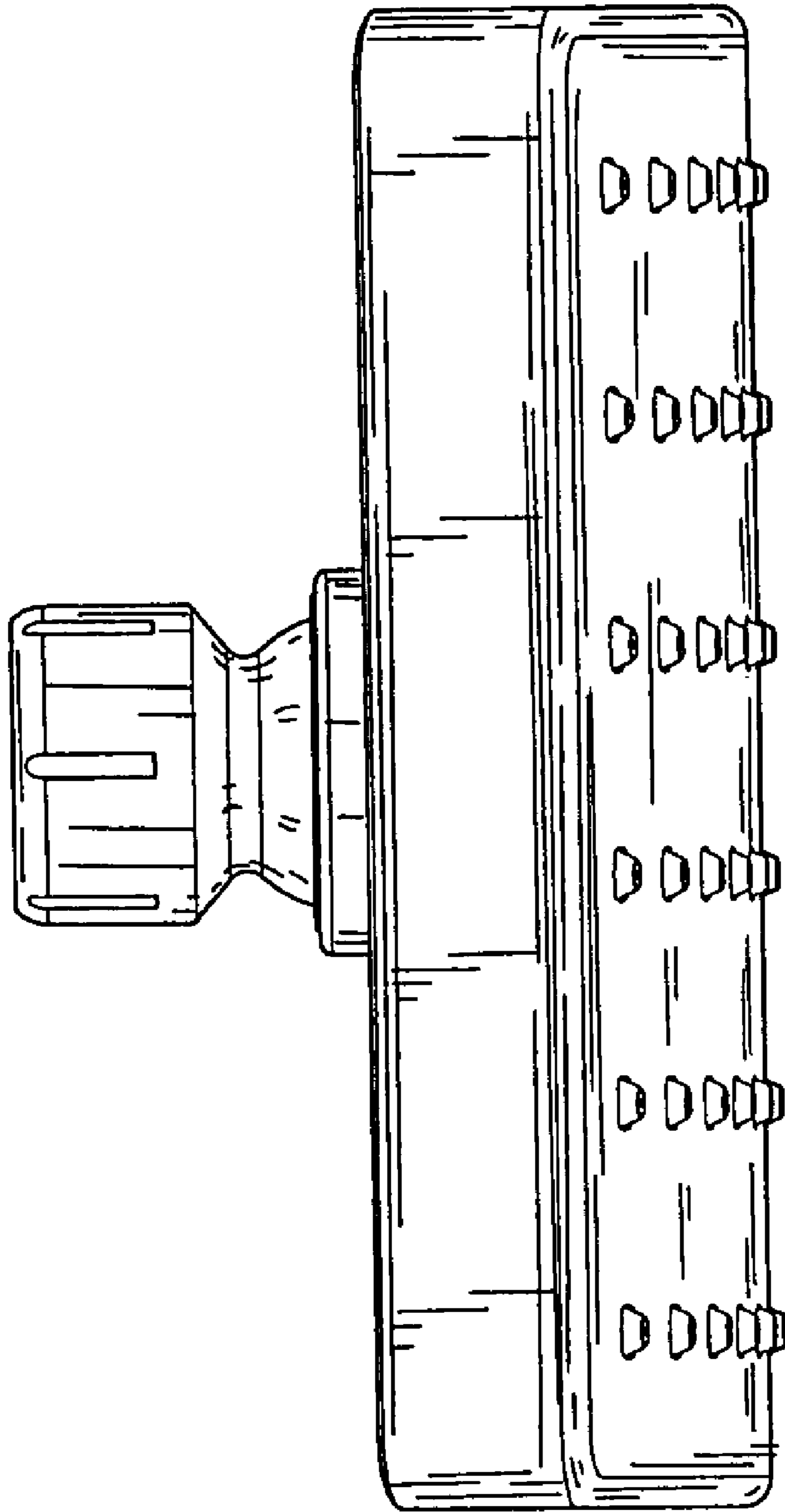


FIG. 7

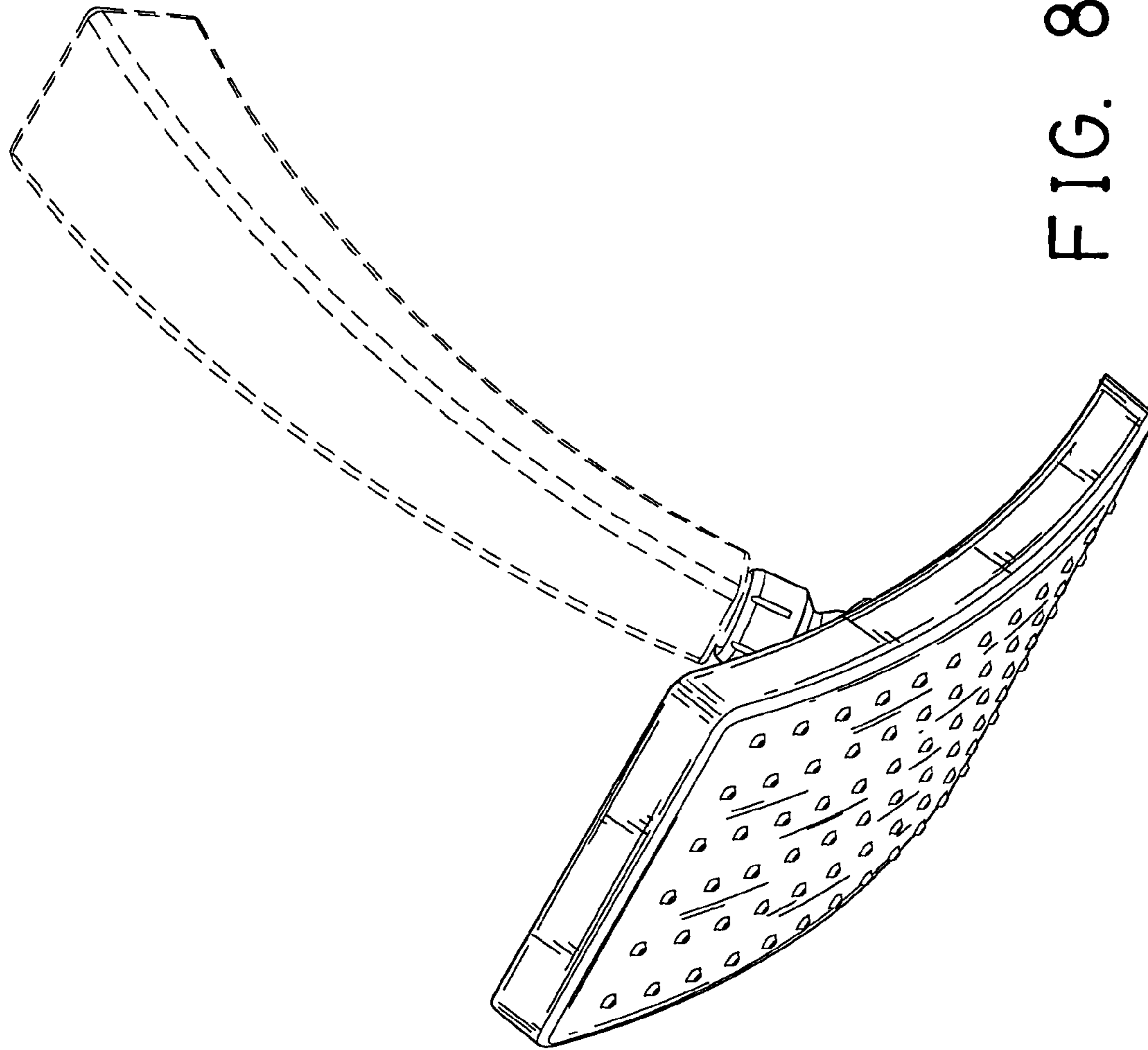


FIG. 8