



US00D564068S

(12) **United States Design Patent**
Campbell

(10) **Patent No.:** **US D564,068 S**
(45) **Date of Patent:** **** Mar. 11, 2008**

(54) **SHOULDER PORTION OF A SPRAYER TANK AND CAP**

D490,299 S 5/2004 Byron
7,025,878 B2 4/2006 Spriegel

(75) Inventor: **James W. Campbell**, Akron, NY (US)

(73) Assignee: **Chapin Manufacturing, Inc.**, Batavia, NY (US)

(**) Term: **14 Years**

(21) Appl. No.: **29/269,774**

(22) Filed: **Dec. 8, 2006**

(51) **LOC (8) Cl.** **23-01**

(52) **U.S. Cl.** **D23/225; D6/2**

(58) **Field of Classification Search** D23/213,
D23/225, 202-205; D8/2; 239/154, 320,
239/308, 310, 373

See application file for complete search history.

(56) **References Cited**

U.S. PATENT DOCUMENTS

1,189,932	A *	7/1916	Garber	222/402
1,557,650	A *	10/1925	Brandt	222/402
D207,962	S *	6/1967	Hammesfahr	D7/536
D347,047	S *	5/1994	Wood	D23/225
D391,626	S	3/1998	Spriegel		
D402,541	S	12/1998	Odessa		
D423,641	S	4/2000	Spriegel		
6,695,228	B2	2/2004	Odessa		
D490,140	S	5/2004	Byron		

OTHER PUBLICATIONS

U.S. Appl. No. 11/789,544, filed Apr. 25, 2007.

* cited by examiner

Primary Examiner—Robin V Webster

(74) *Attorney, Agent, or Firm*—Kenneth K. Lukacher;
Martin Lukacher

(57) **CLAIM**

The ornamental design for a shoulder portion of a sprayer tank and cap, as shown and described.

DESCRIPTION

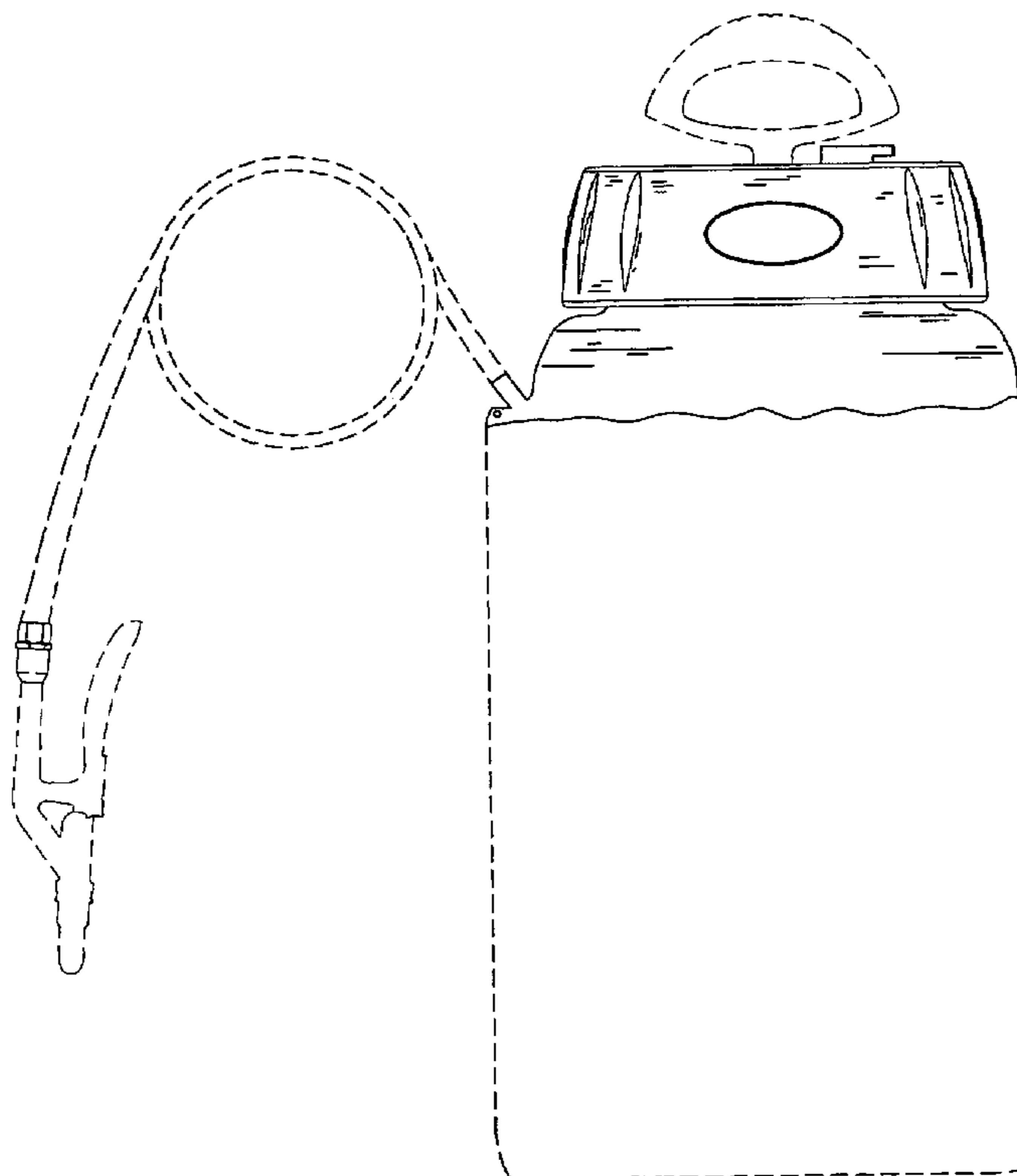
FIG. 1 is a front view of my design for the shoulder portion of a sprayer tank and cap, showing my design, the view also showing in broken lines an environment for the invention, namely the bottom portion of the tank, the pump handle, and the sprayer wand and hose attached to the tank which are shown for illustrative purposes only and are not part of the invention;

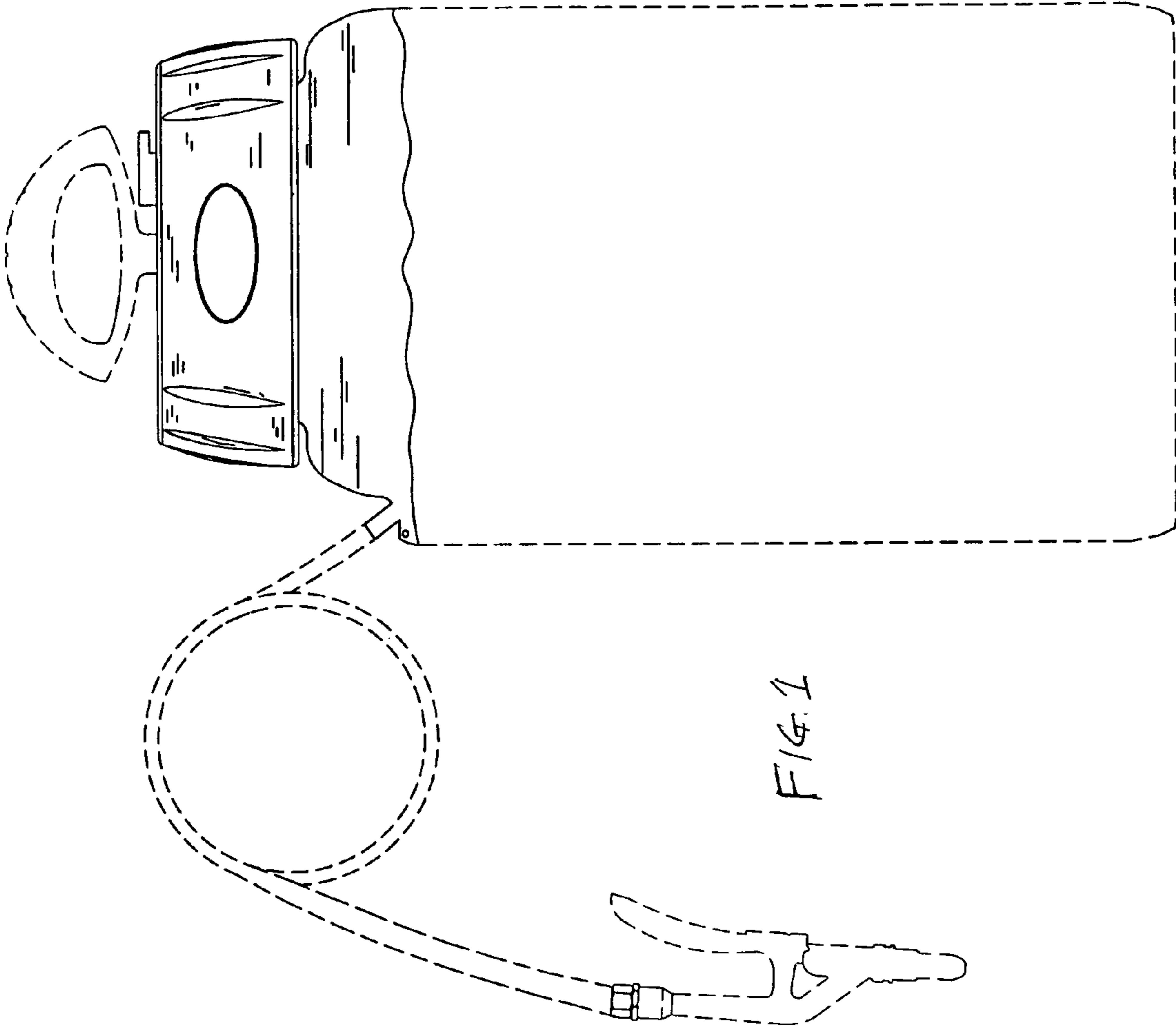
FIG. 2 is a perspective view from the top thereof of the cap of my design;

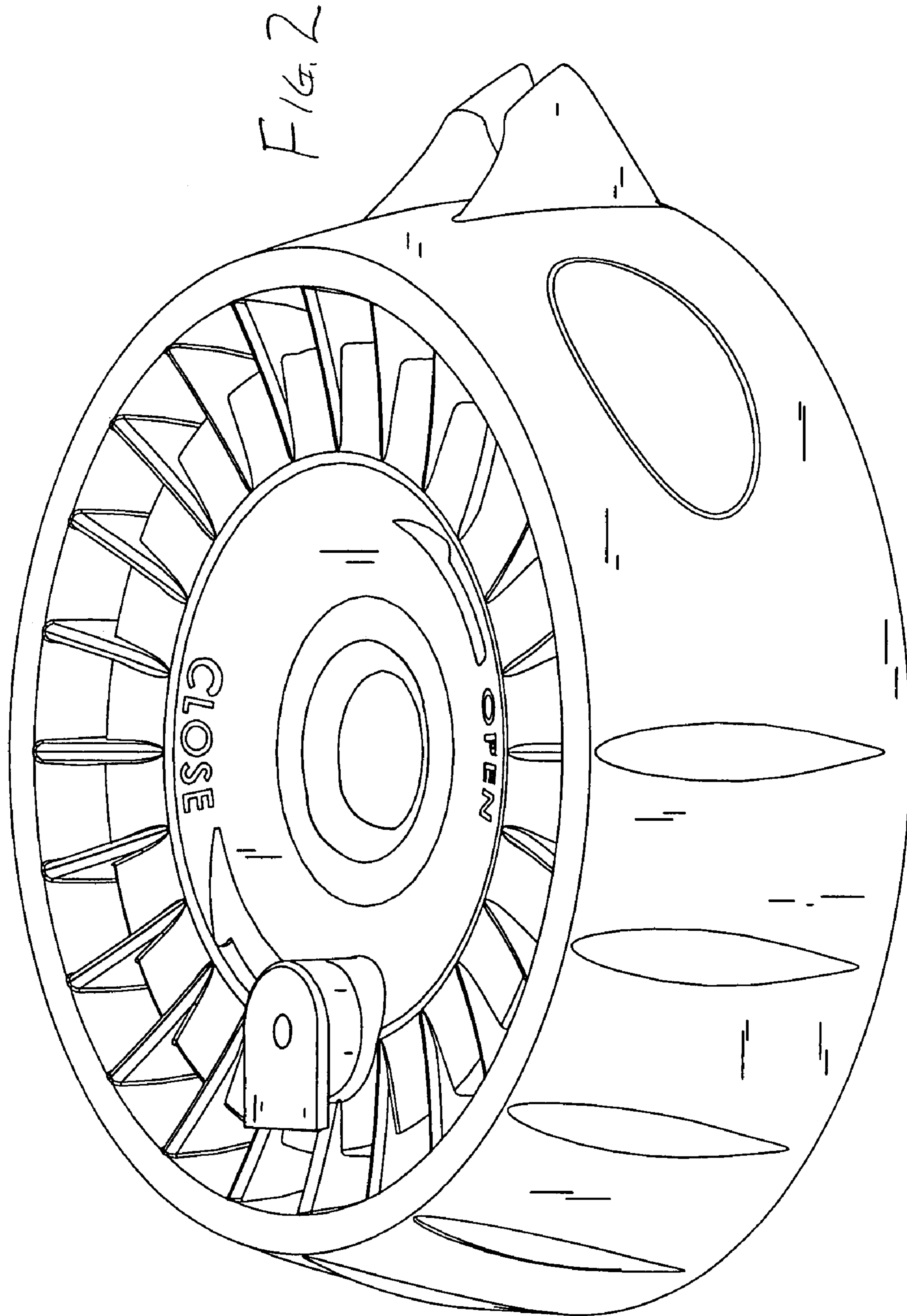
FIG. 3 is a rear view of the shoulder portion of a sprayer tank and cap in accordance with my design; and,

FIG. 4 is a top view thereof.

1 Claim, 4 Drawing Sheets







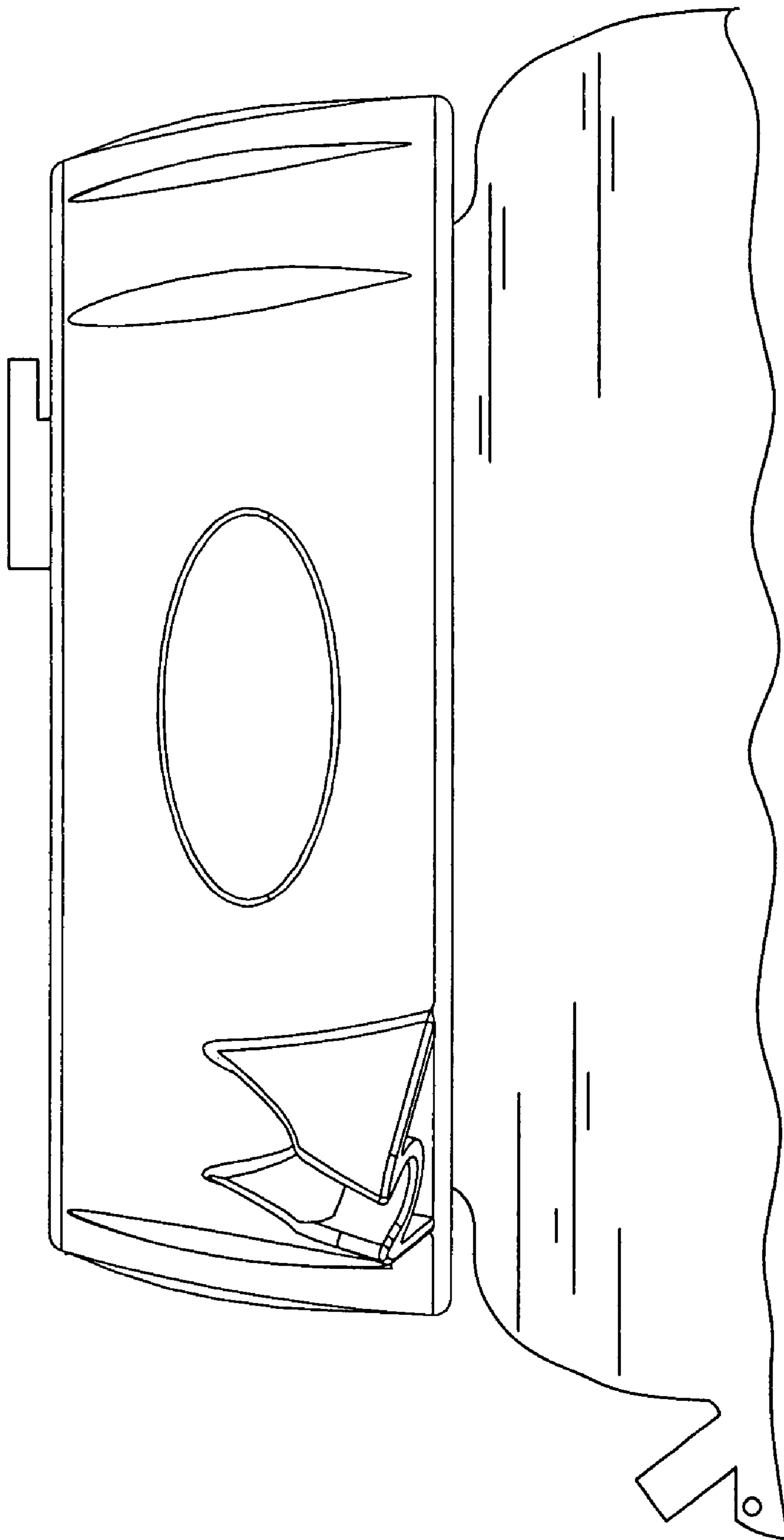


FIG. 3

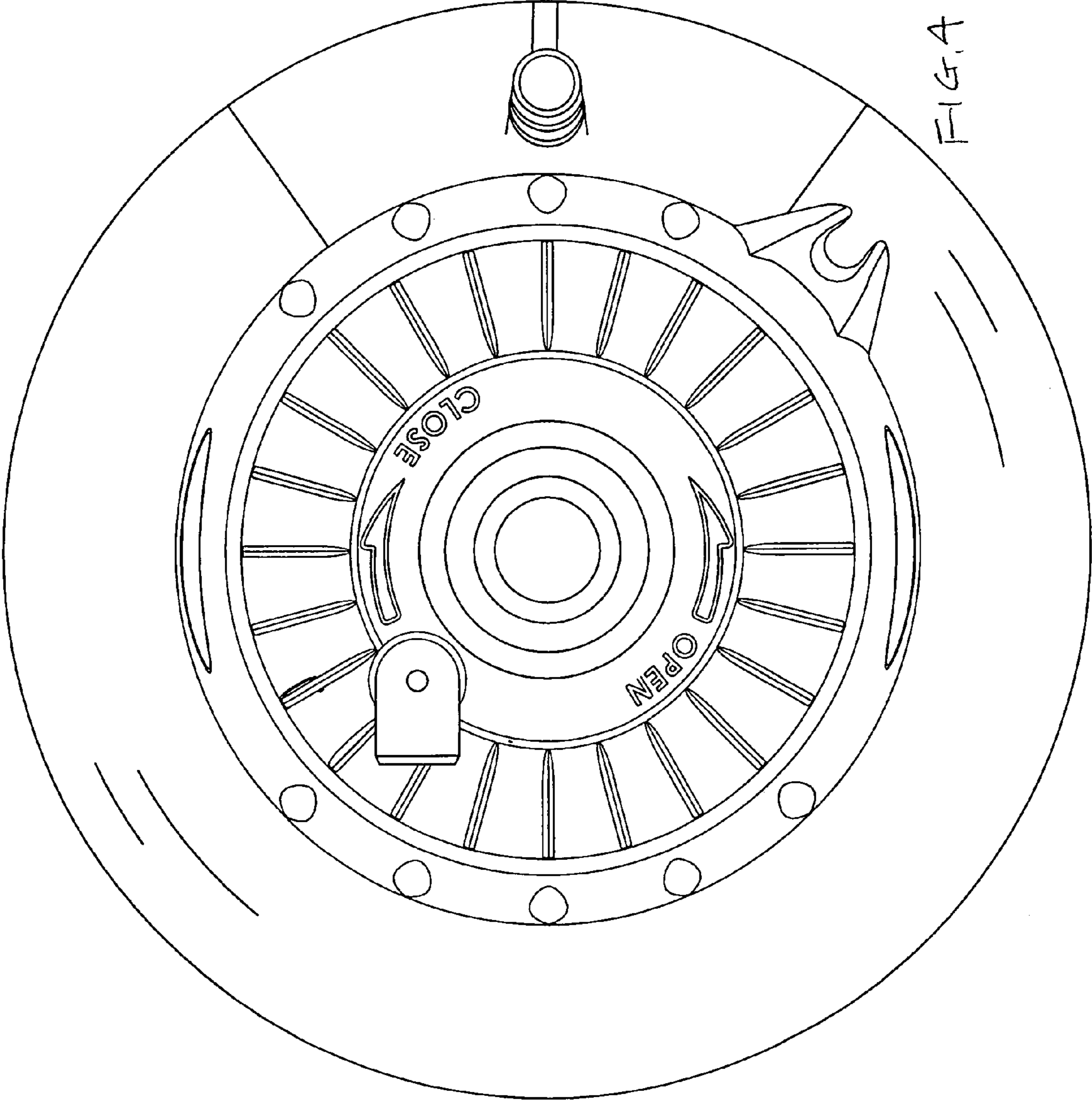


FIG. A