



US00D564063S

(12) **United States Design Patent**
Burt et al.

(10) **Patent No.: US D564,063 S**
(45) **Date of Patent: ** Mar. 11, 2008**

(54) **HANGER FOR A LAVATORY DISPENSING DEVICE**

Primary Examiner—Robin V Webster

(57) **CLAIM**

(75) Inventors: **Diane Burt**, New Windsor, NY (US);
Christopher King, Montvale, NJ (US);
Robert Lu, Montvale, NJ (US)

The ornamental design for a hanger for a lavatory dispensing device, as shown and described.

(73) Assignee: **Reckitt Benckiser Inc.**, Parsippany, NJ (US)

DESCRIPTION

FIG. 1 is a perspective view of the top and front of a first embodiment of a hanger for a lavatory dispensing device showing my new design;

(**) Term: **14 Years**

FIG. 2 is a front view thereof;

(21) Appl. No.: **29/249,847**

FIG. 3 is a side view thereof, the other side being a mirror image;

(22) Filed: **Oct. 24, 2006**

FIG. 4 is a rear view thereof;

(51) **LOC (8) Cl.** **23-01**

FIG. 5 is a bottom plan view thereof;

(52) **U.S. Cl.** **D23/208**

FIG. 6 is a top plan view thereof;

(58) **Field of Classification Search** D23/207,
D23/208; 4/231, 223, 225.1, 227.1

FIG. 7 is a top and front perspective view thereof, shown in use;

See application file for complete search history.

FIG. 8 is a perspective view of the top and front of a second embodiment thereof;

(56) **References Cited**

FIG. 9 is a side view thereof, the other side being a mirror image;

U.S. PATENT DOCUMENTS

FIG. 10 is a rear view thereof;

4,203,172	A *	5/1980	Goncalves	4/231
D273,607	S *	4/1984	Joyaux et al.	D23/208
D307,934	S *	5/1990	Verebelyi	D23/208
D387,848	S *	12/1997	Thompson et al.	D23/208
6,505,356	B1 *	1/2003	Leonard et al.	4/231
6,934,973	B2 *	8/2005	Lehmann et al.	4/231

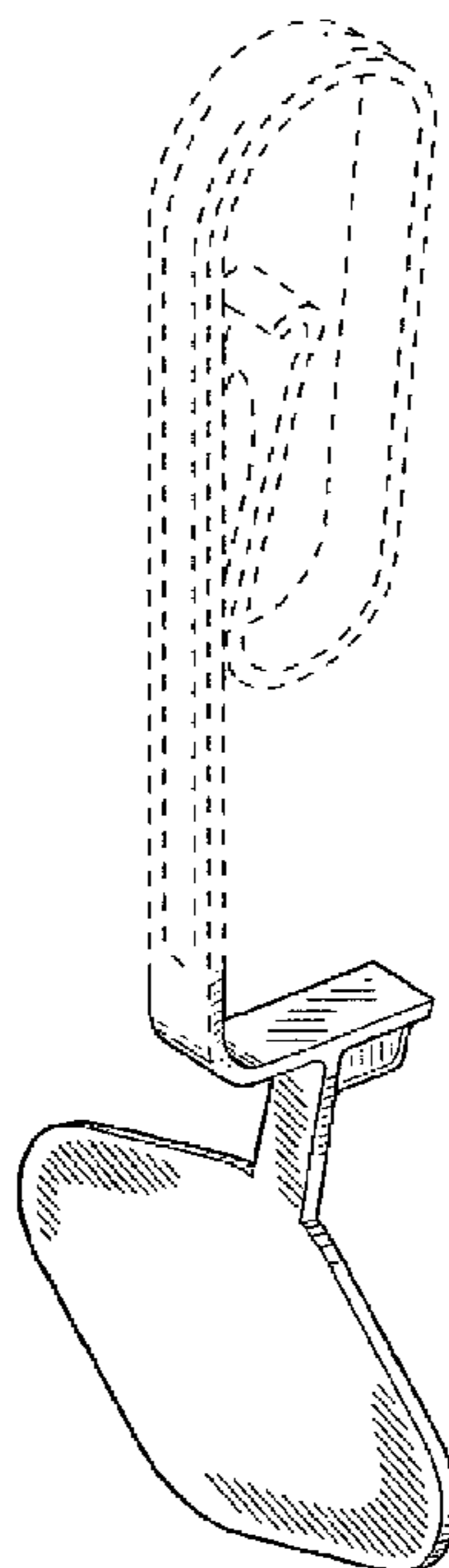
FIG. 11 is a bottom plan view thereof; and,

FIG. 12 is a top and front perspective view thereof, shown in use.

The broken line showing of the hanger portion and lavatory block is included for the purpose of illustrating and forms no part of the claimed design.

* cited by examiner

1 Claim, 4 Drawing Sheets



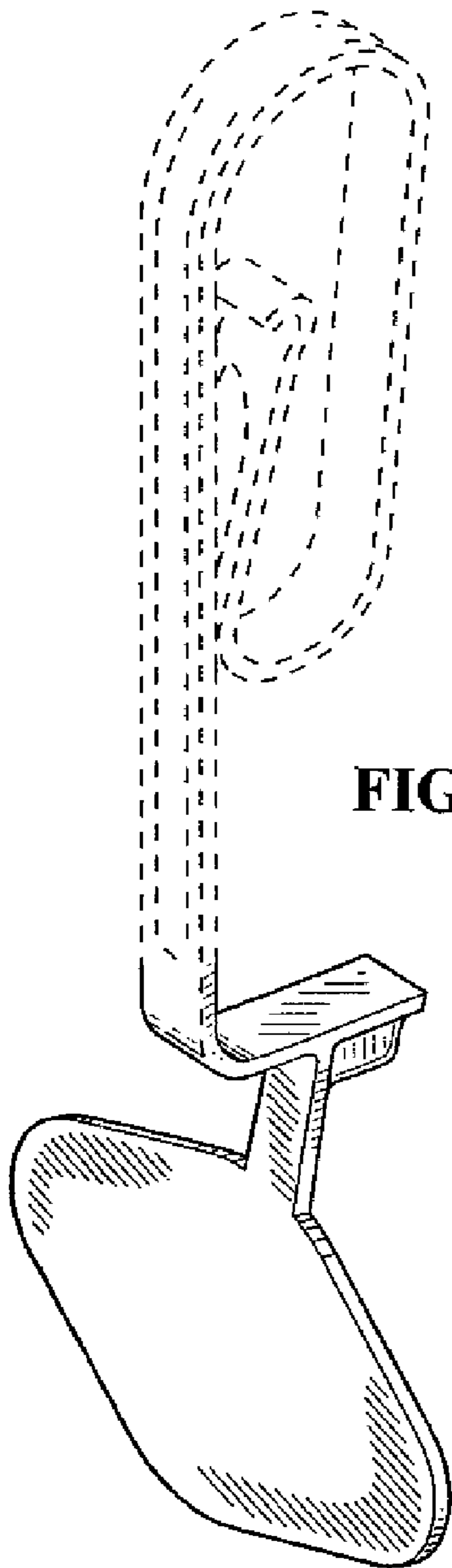


FIG. 1

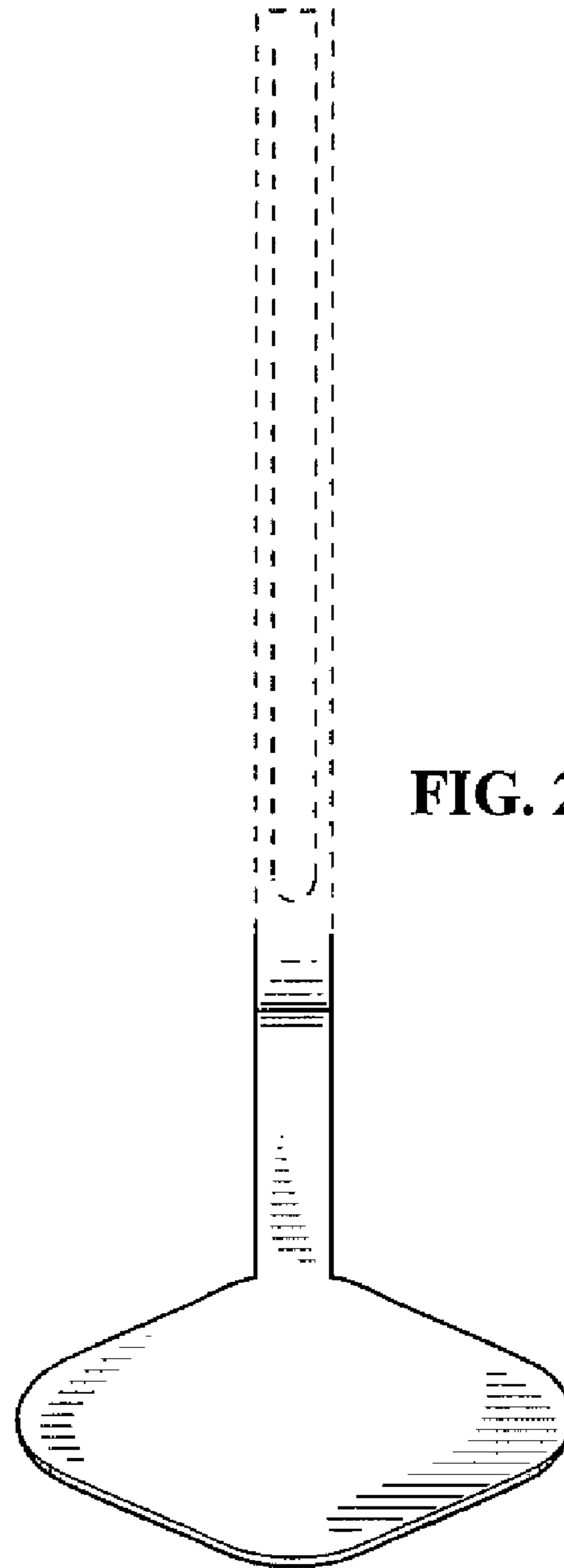


FIG. 2

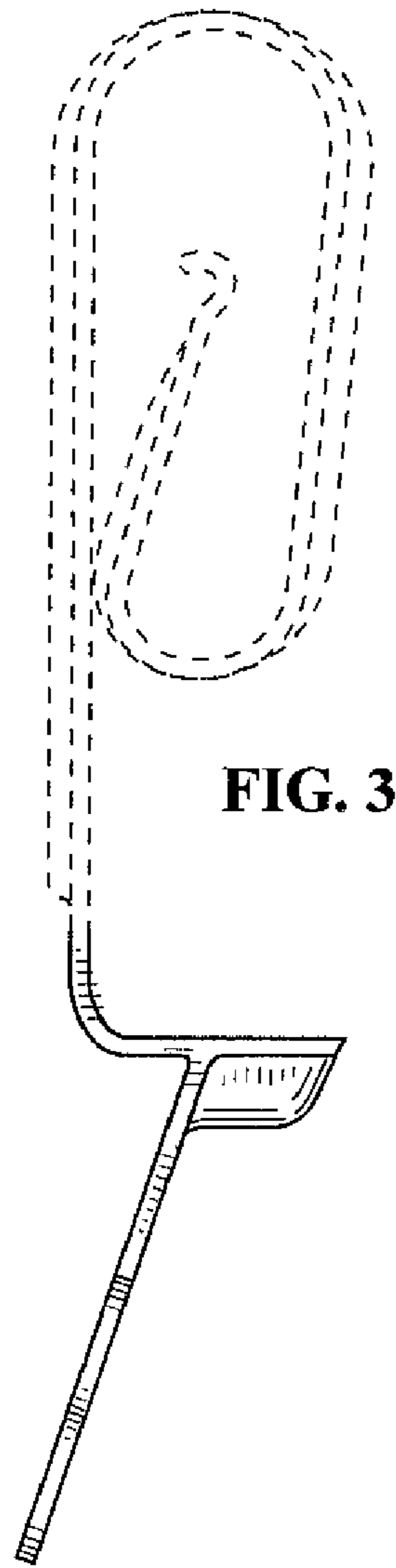


FIG. 3

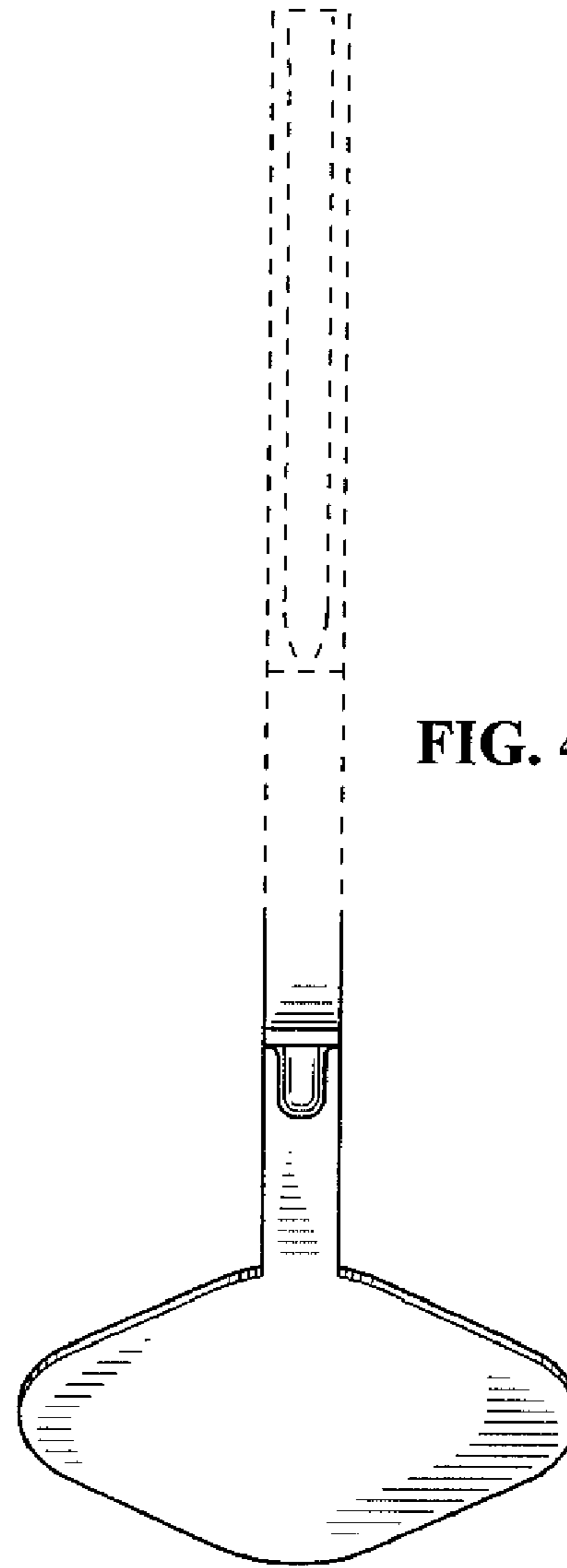


FIG. 4

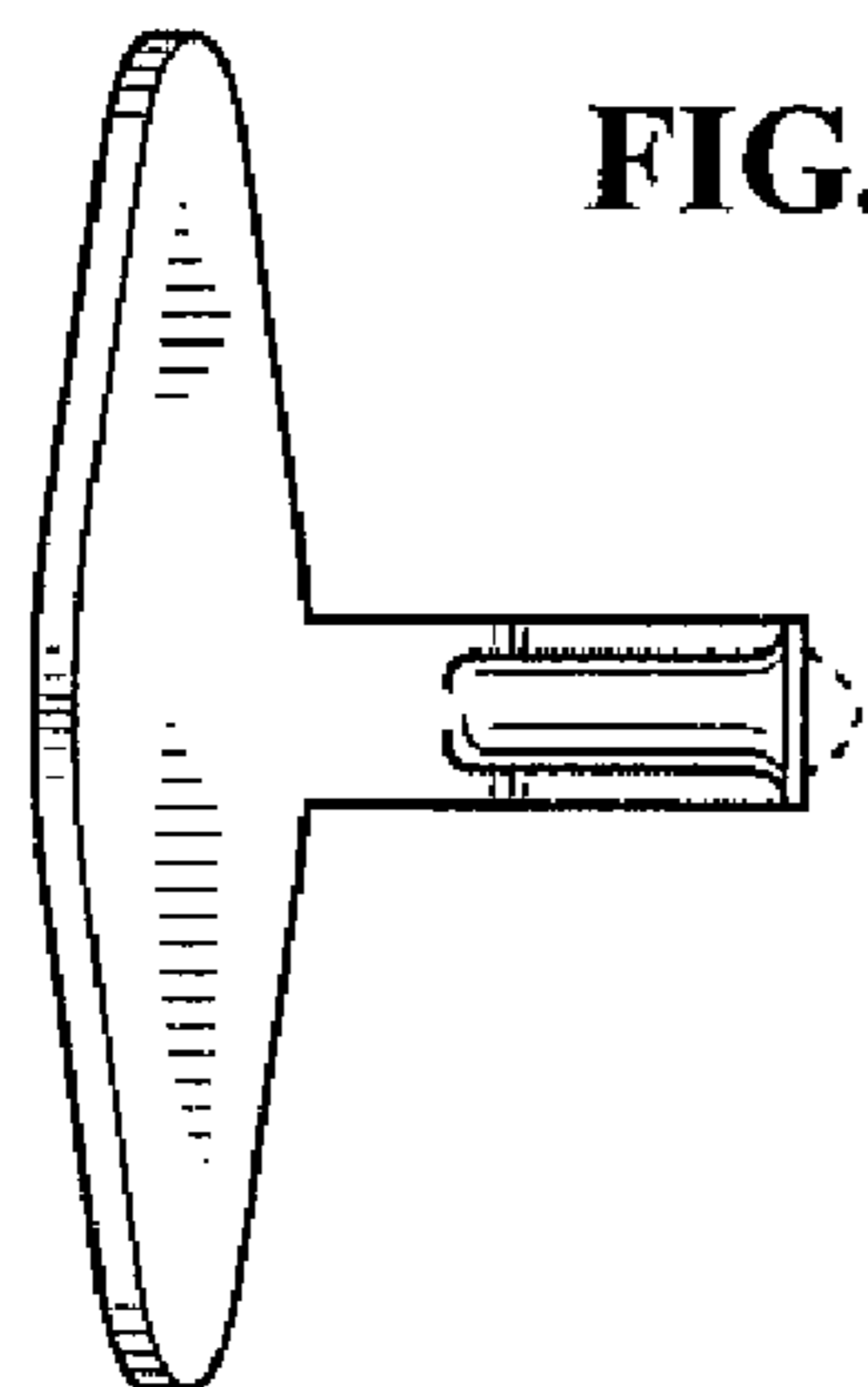


FIG. 5

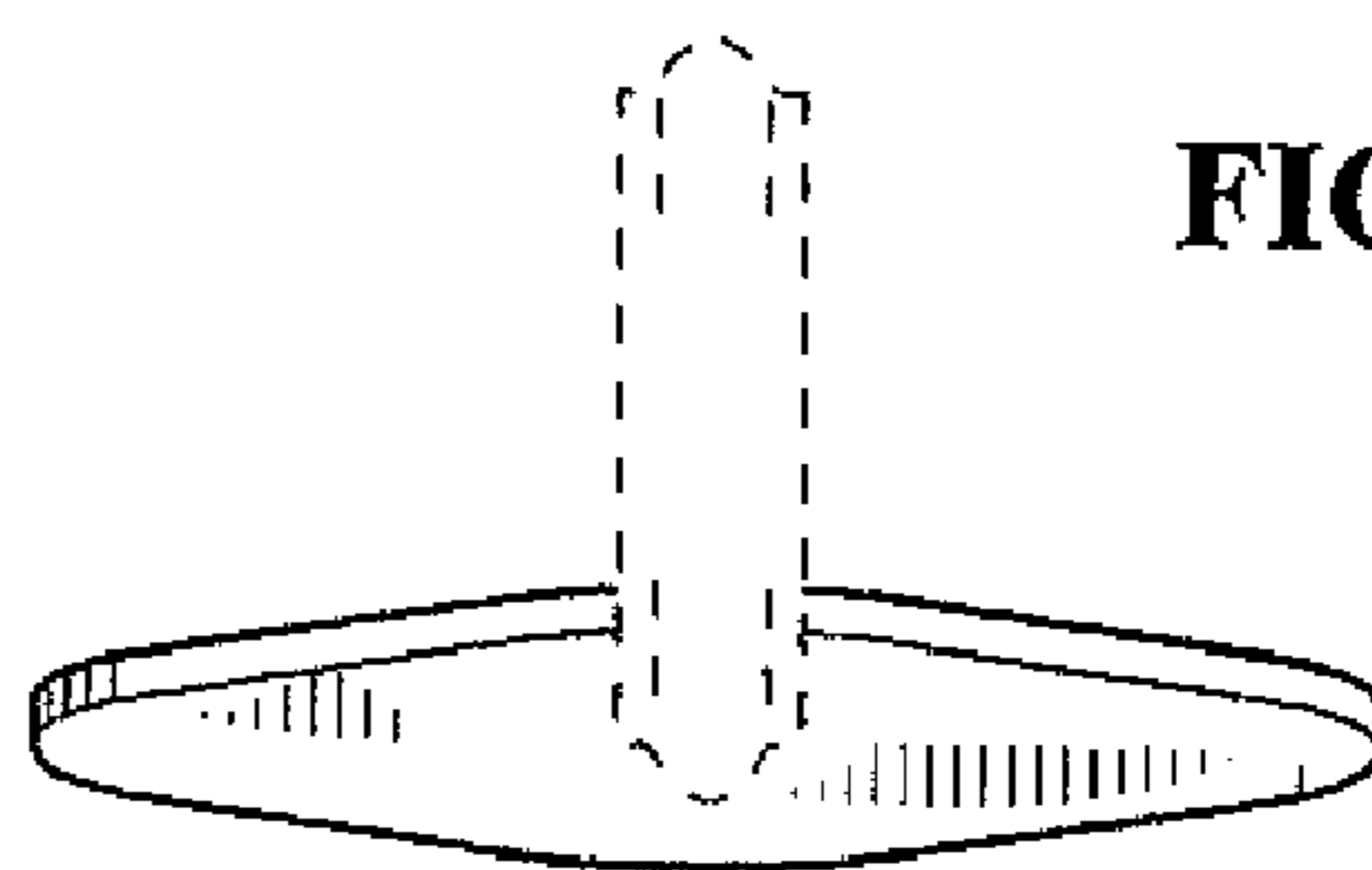


FIG. 6

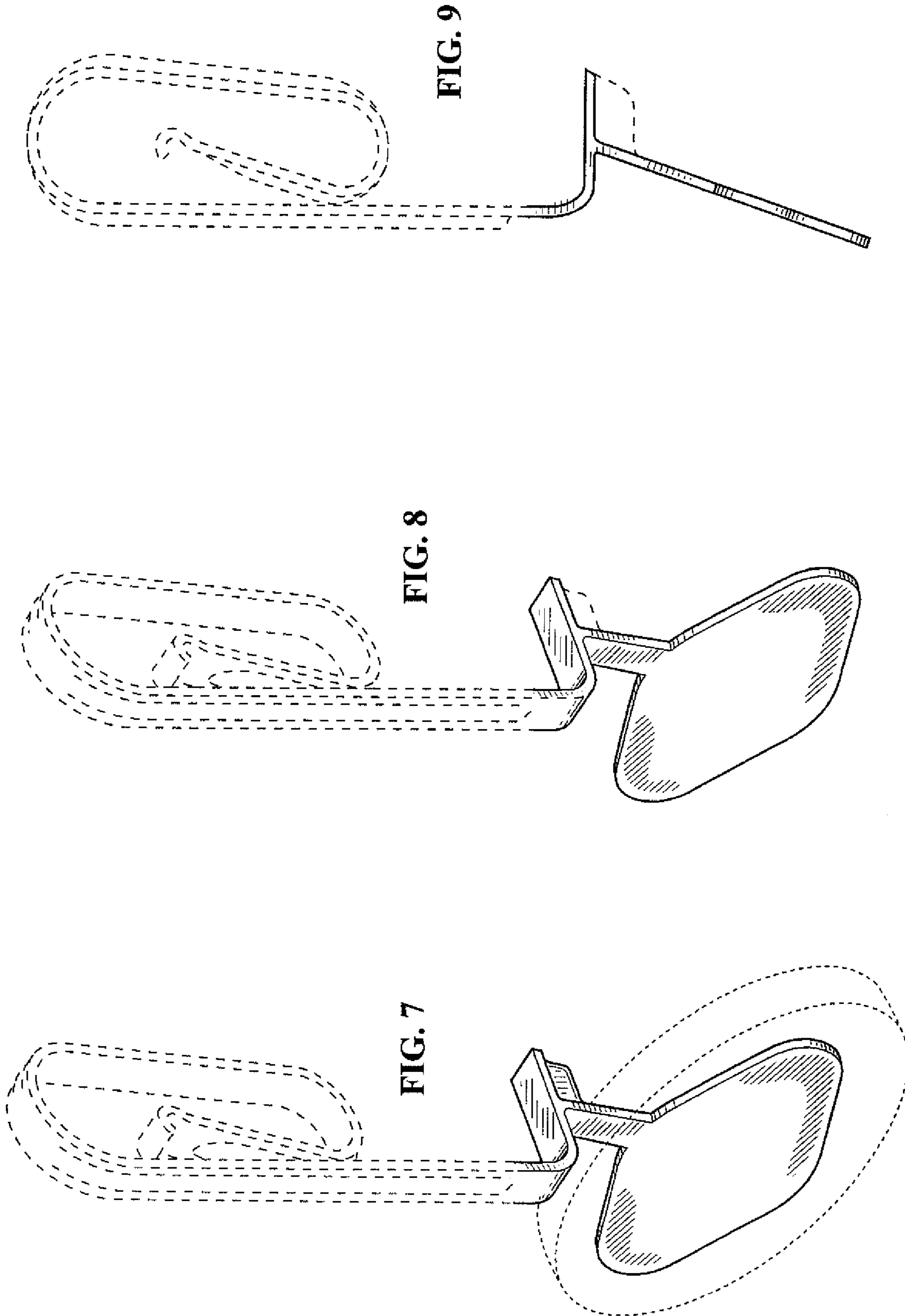


FIG. 12

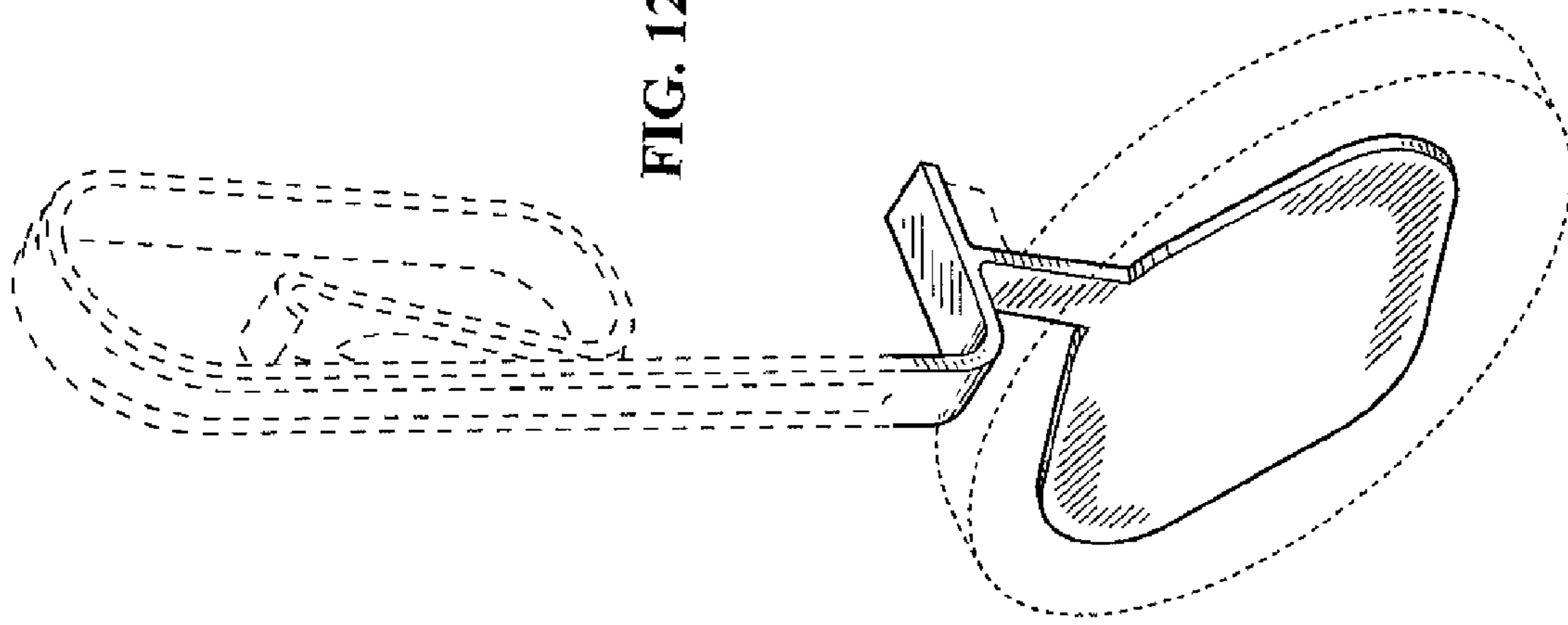


FIG. 11

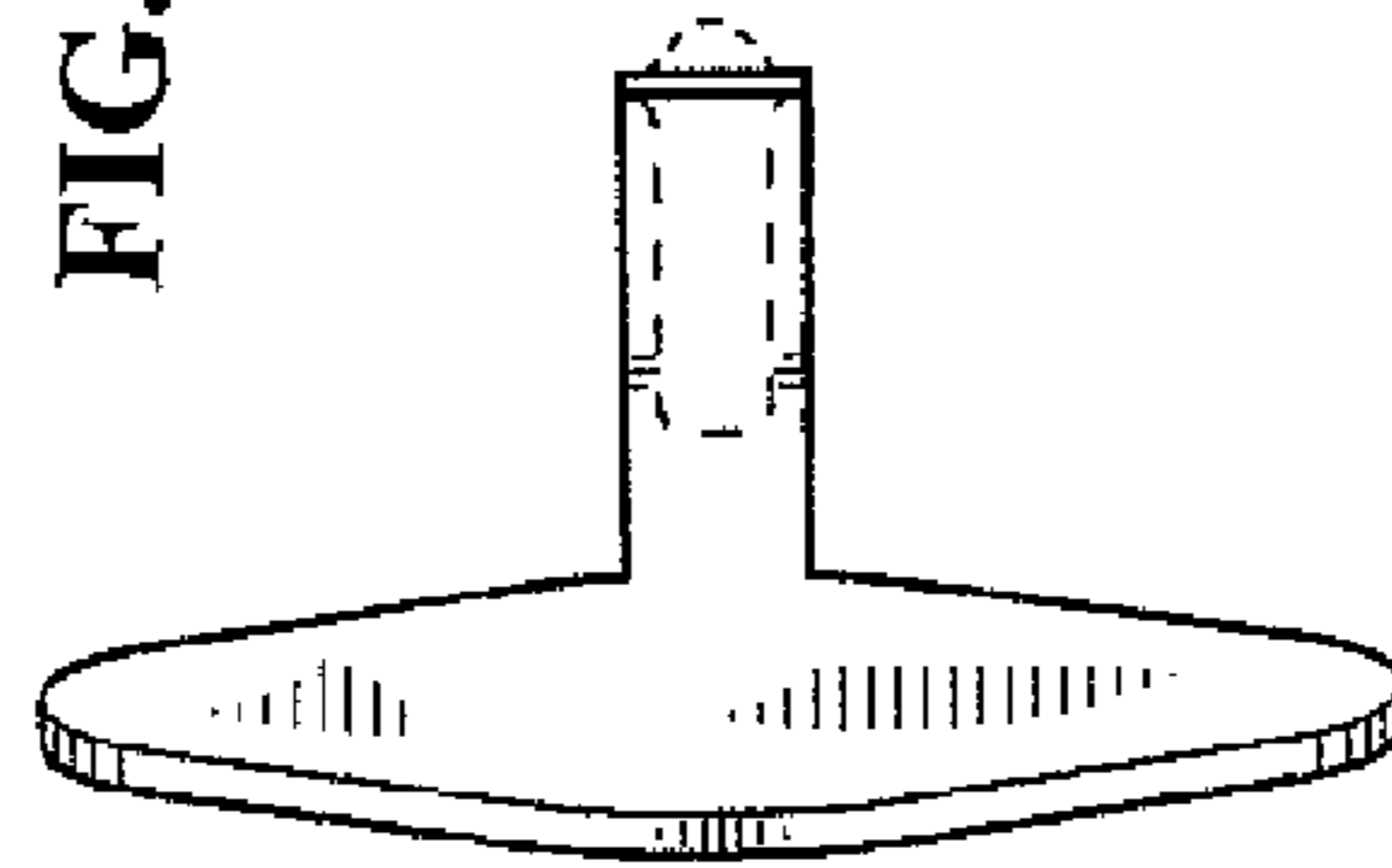


FIG. 10

