

US00D564059S

(12) **United States Design Patent** (10) **Patent No.:** **US D564,059 S**
Adams (45) **Date of Patent:** **** *Mar. 11, 2008**

(54) **STRUCTURAL MEMBER FOR A SAFETY ENCLOSURE FOR A RECREATIONAL STRUCTURE**

(75) Inventor: **Craig Adams**, Portland, OR (US)

(73) Assignee: **CA06, LLC**, Portland, OR (US)

(*) Notice: This patent is subject to a terminal disclaimer.

(**) Term: **14 Years**

(21) Appl. No.: **29/247,820**

(22) Filed: **Jul. 13, 2006**

(51) **LOC (8) Cl.** **21-03**

(52) **U.S. Cl.** **D21/814**

(58) **Field of Classification Search** D21/811, D21/814, 837, 797, 672, 692; 482/27-29, 482/35, 36; 248/97

See application file for complete search history.

(56) **References Cited**

U.S. PATENT DOCUMENTS

D187,138 S *	2/1960	Highberger	D21/797
3,201,126 A	8/1965	Nissen		
3,339,925 A	9/1967	Nissen		
4,157,801 A *	6/1979	Elmer	248/97
4,433,838 A	2/1984	Gordon		
4,569,515 A	2/1986	Gordon		
4,900,011 A	2/1990	Nolet		
D328,940 S *	8/1992	Matsch	D21/818
D330,741 S *	11/1992	Matsch	D21/826
D330,742 S *	11/1992	Matsch	D21/814
D330,744 S *	11/1992	Matsch	D21/821
5,399,132 A	3/1995	Bailey		
D382,618 S	8/1997	Gift		

5,941,798 A *	8/1999	Coan et al.	482/27
6,053,845 A	4/2000	Publicover et al.		
6,261,207 B1	7/2001	Publicover et al.		
2005/0079954 A1	4/2005	Wang et al.		
2005/0143225 A1	6/2005	Adams		
2006/0128529 A1	6/2006	Adams		

OTHER PUBLICATIONS

SpringFree Product Tour, <http://www.springfreetrampoline.com/tour.html>, downloaded Jul. 13, 2006.

* cited by examiner

Primary Examiner—Mitchell Siegel

(74) *Attorney, Agent, or Firm*—Joseph P. Cutin, L.L.C.

(57) **CLAIM**

I claim the ornamental design for a structural member for a safety enclosure for a recreational structure, as shown and described.

DESCRIPTION

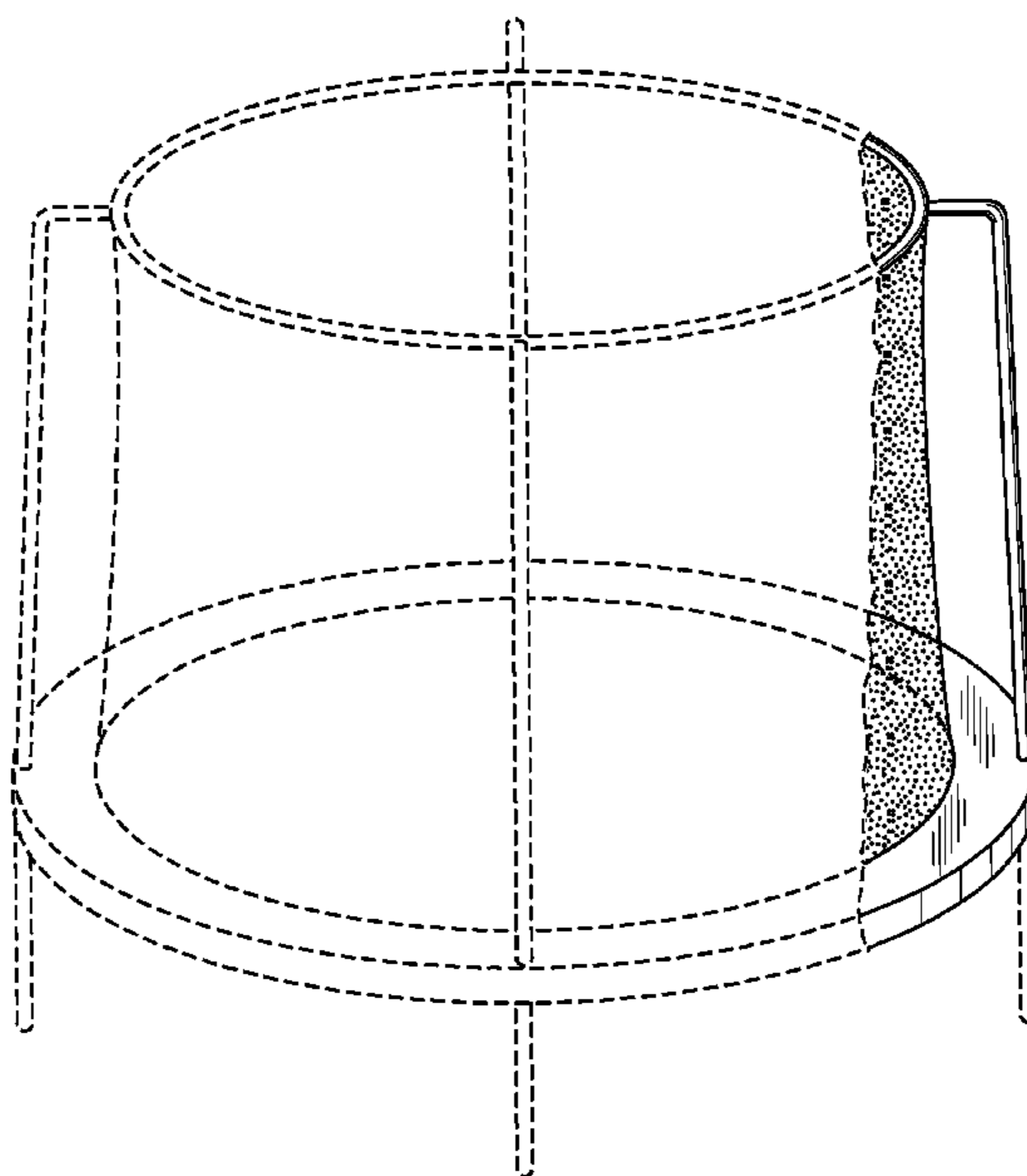
FIG. 1 is a perspective side view of a structural member for a safety enclosure for a recreational structure according to the subject matter disclosed herein;

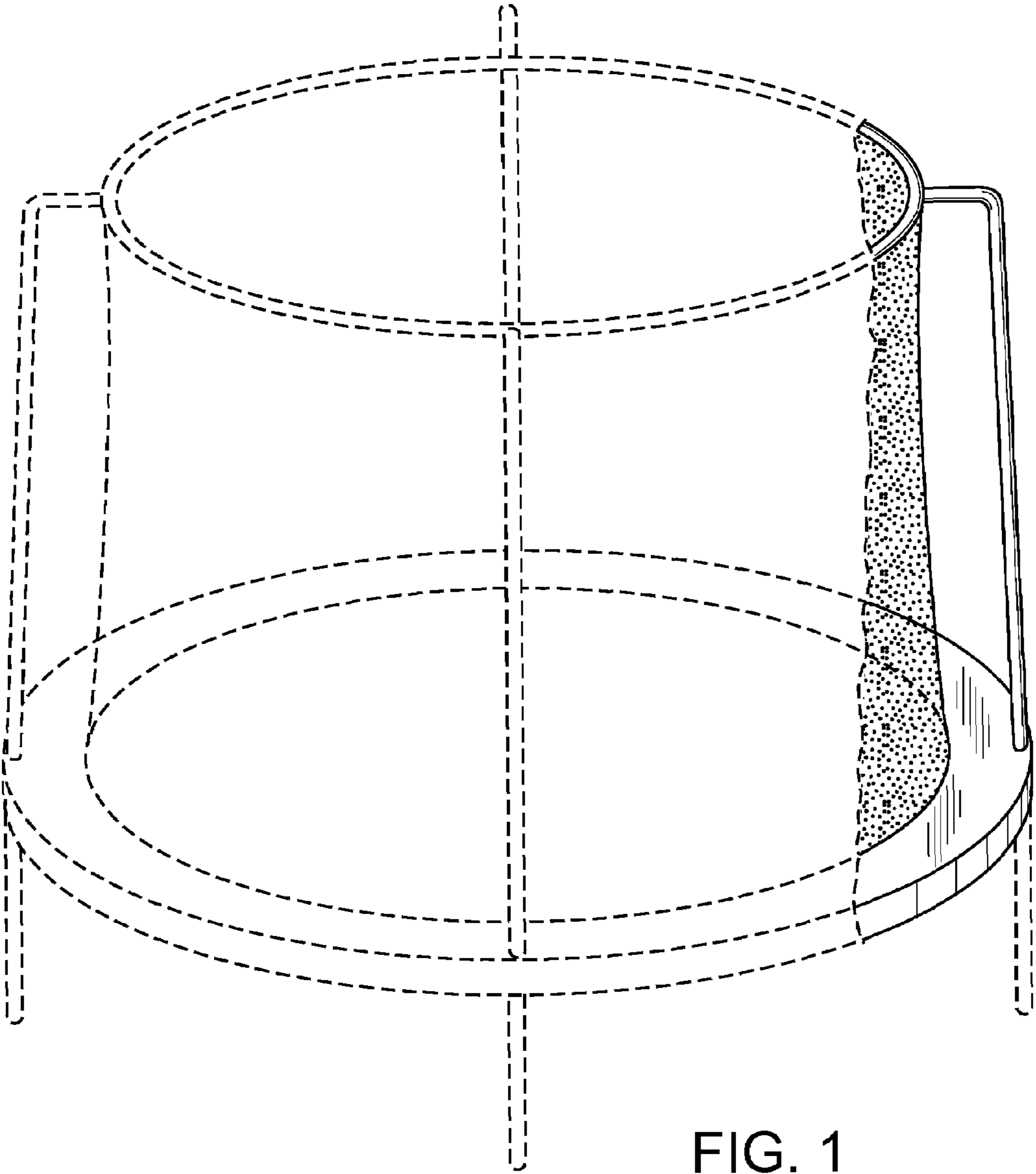
FIG. 2 is a top view of a structural member for a safety enclosure for a recreational structure according to the subject matter disclosed herein; and,

FIG. 3 is a side view of structural member for a safety enclosure for a recreational structure according to the subject matter disclosed herein.

The ornamental design, which is claimed, is shown in solid lines in the drawings. The broken lines in the drawings are for illustrative purposes only and form no part of the claimed design.

1 Claim, 2 Drawing Sheets





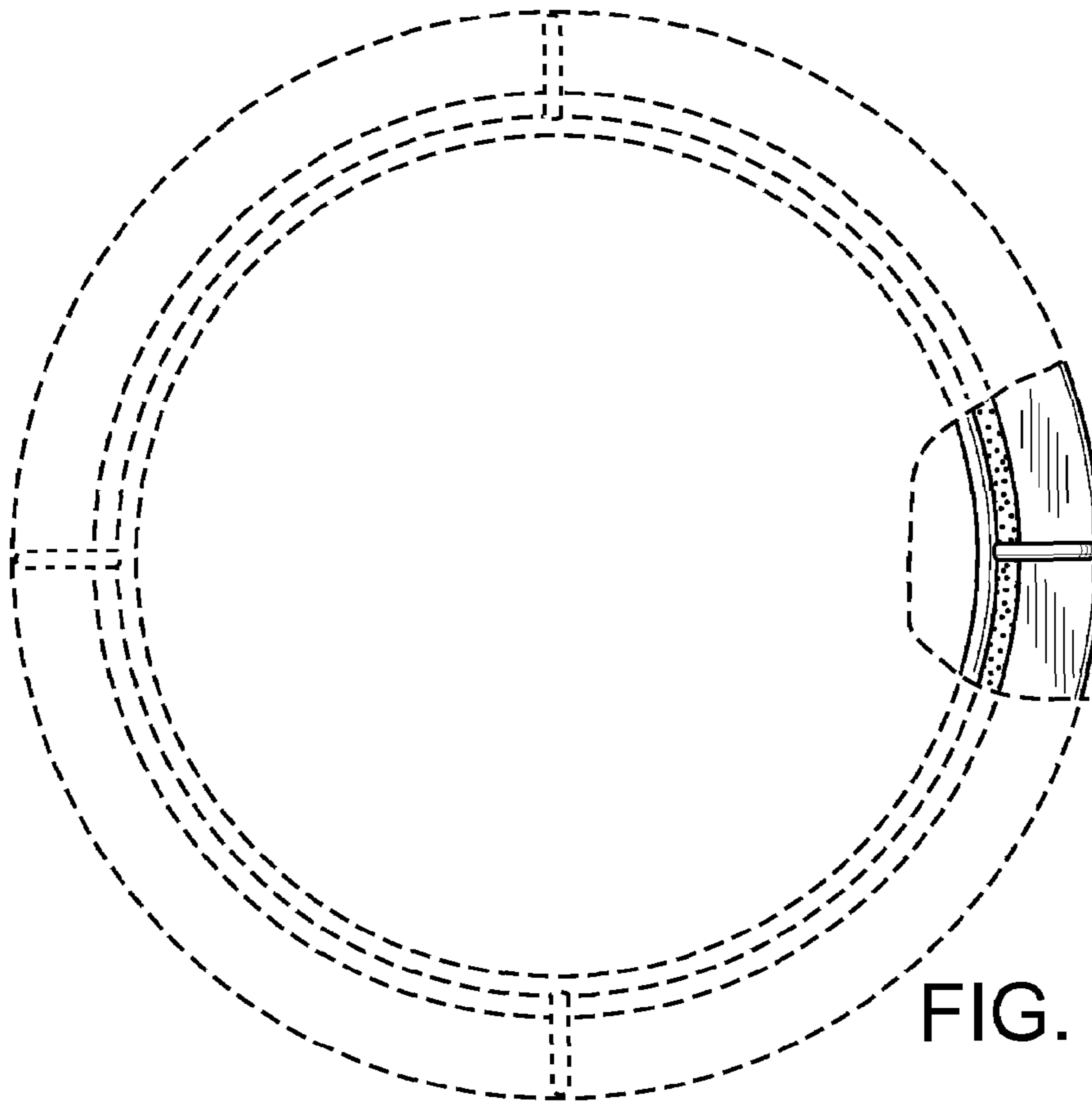


FIG. 2

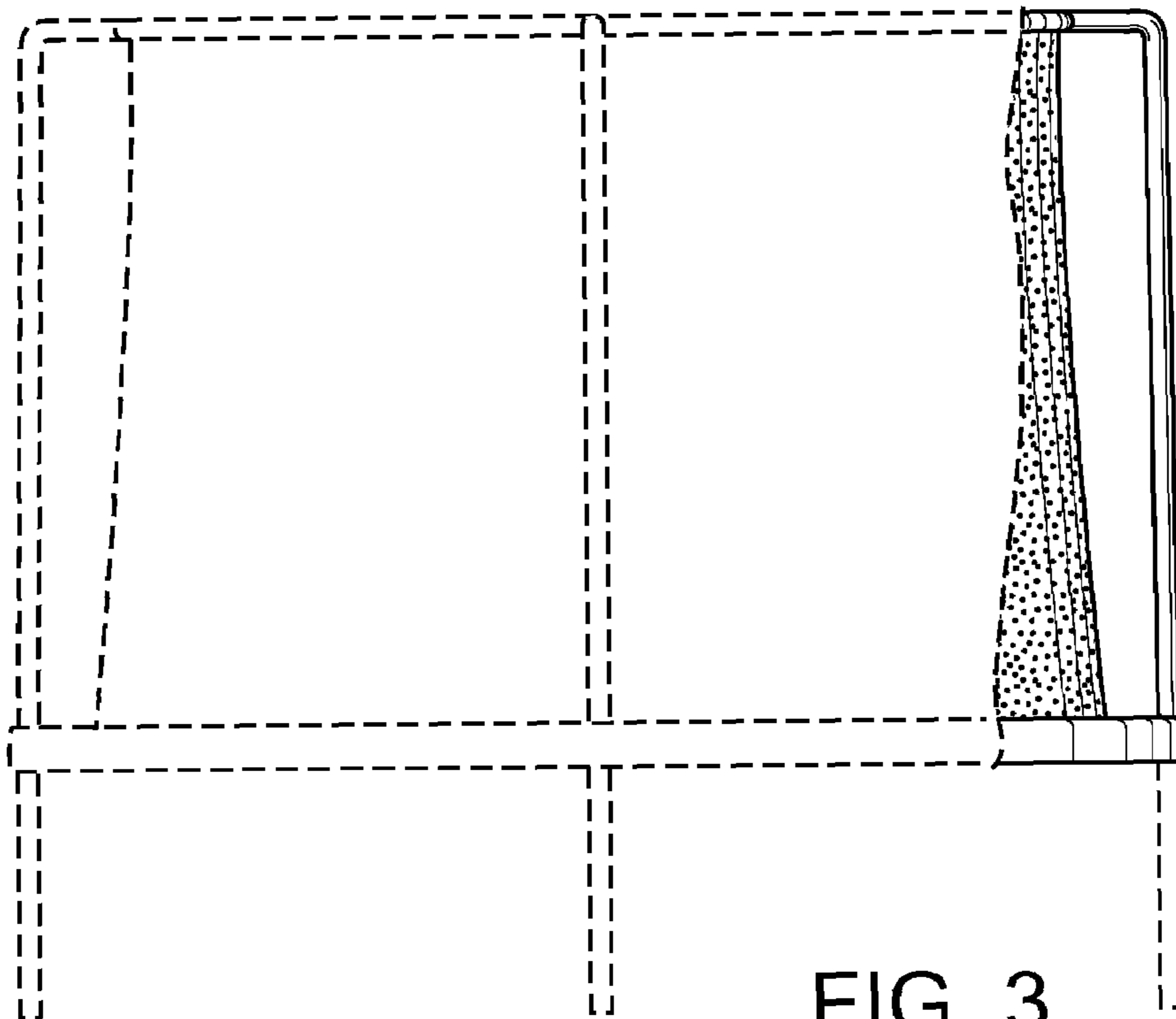


FIG. 3