



US00D564052S

(12) **United States Design Patent**
Brietlow et al.

(10) **Patent No.:** **US D564,052 S**
(45) **Date of Patent:** **** Mar. 11, 2008**

(54) **STATIONARY EXERCISE APPARATUS**

D521,085 S * 5/2006 Kuo D21/666

(75) Inventors: **Erik Brietlow**, Sun Prairie, WI (US);
Chris Cox, Lake Mills, WI (US); **Joe Newman**, Santa Fe, NM (US)

OTHER PUBLICATIONS

2 pages print of form search for recumbent exercise bike on google images.*

(73) Assignee: **Johnson Health Tech. Co., Ltd.**,
Taichung Hsien (TW)

* cited by examiner

Primary Examiner—Philip S. Hyder

(**) Term: **14 Years**

(57) **CLAIM**

(21) Appl. No.: **29/262,471**

The ornamental design for a stationary exercise apparatus, as shown and described.

(22) Filed: **Jul. 5, 2006**

DESCRIPTION

(51) **LOC (8) Cl.** **21-02**

FIG. 1 is a perspective view of our new stationary exercise apparatus;

(52) **U.S. Cl.** **D21/697**

FIG. 2 is a left side elevational view of the stationary exercise apparatus;

(58) **Field of Classification Search** D21/662,
D21/663, 664, 665, 666, 667, 668, 694, 697;
482/51, 57, 58

See application file for complete search history.

FIG. 3 is a right side elevational view of the stationary exercise apparatus;

(56) **References Cited**

U.S. PATENT DOCUMENTS

D320,826 S *	10/1991	Hildebrandt et al.	D21/666
D340,758 S *	10/1993	Ueda	D21/666
D347,039 S *	5/1994	Littrell et al.	D21/666
D355,942 S *	2/1995	Wu	D21/666
D362,699 S *	9/1995	Heaton et al.	D21/666
6,001,046 A *	12/1999	Chang	482/57
D461,210 S *	8/2002	Fon	D21/666
D479,865 S *	9/2003	Arai et al.	D21/666
D515,152 S *	2/2006	Corbalis et al.	D21/666

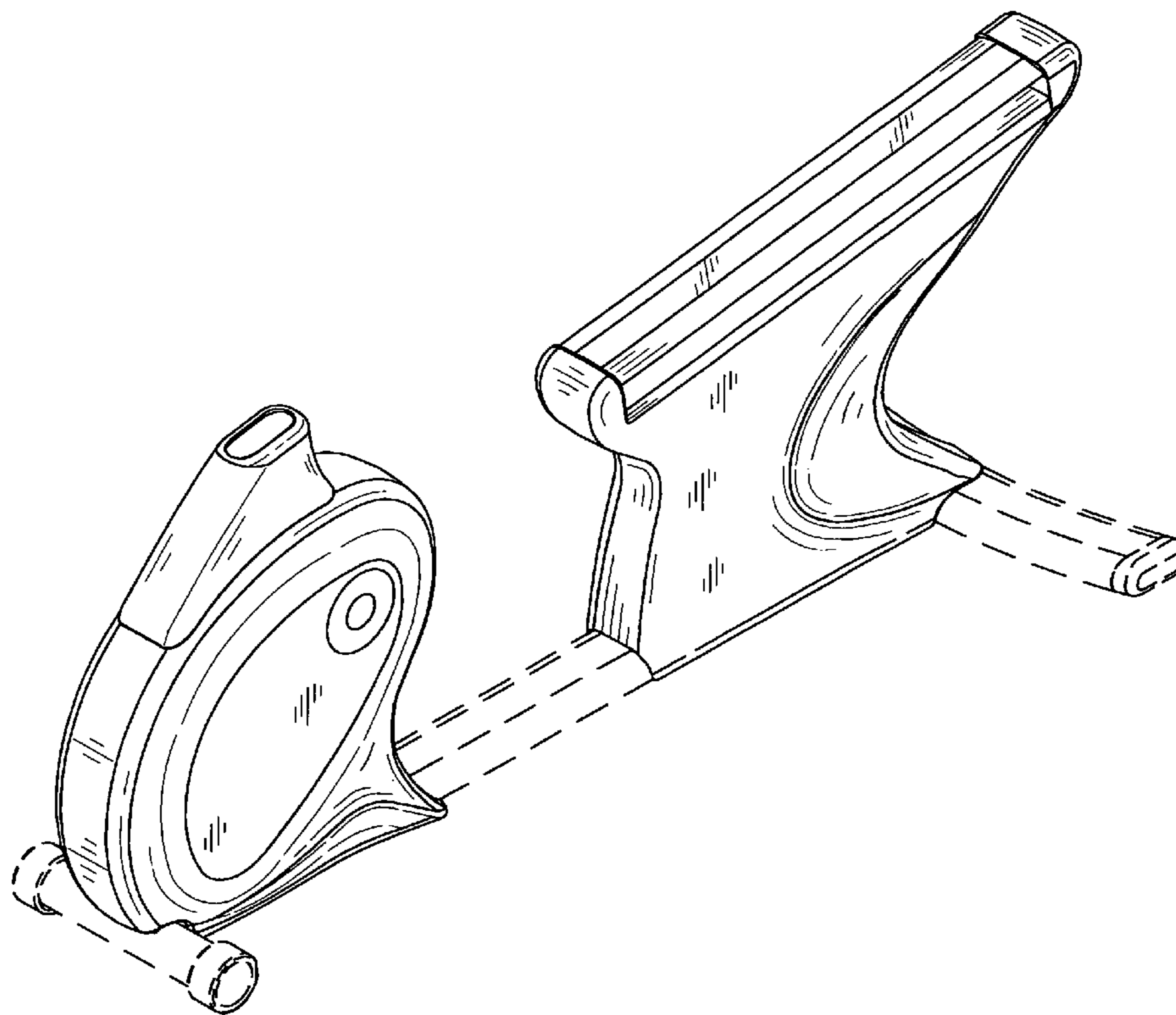
FIG. 4 is a front elevational view of the stationary exercise apparatus;

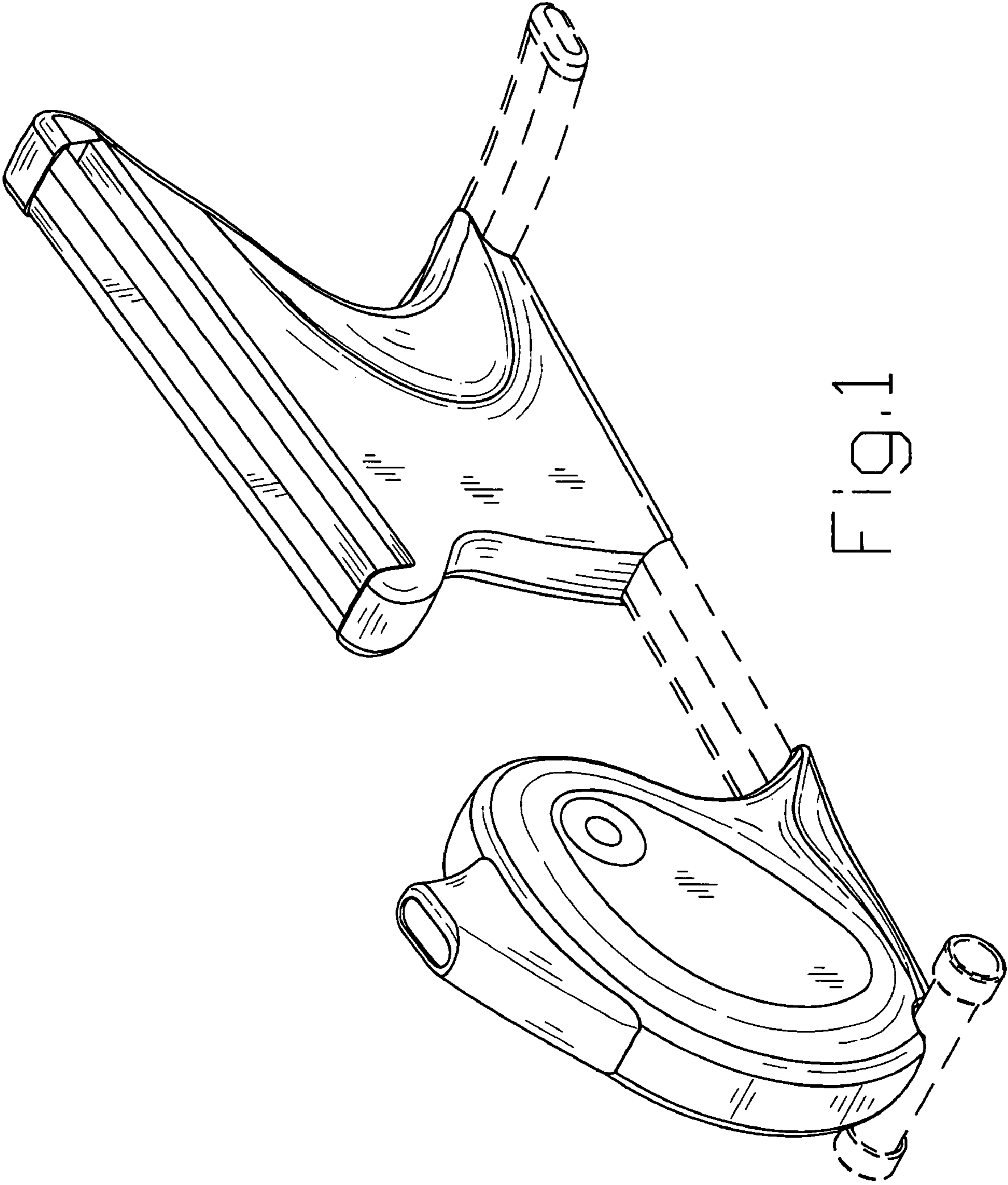
FIG. 5 is a rear elevational view of the stationary exercise apparatus; and,

FIG. 6 is a top plan view of the stationary exercise apparatus.

The phantom line showing environment is for illustrative purpose only and forms no part of the claimed design.

1 Claim, 5 Drawing Sheets





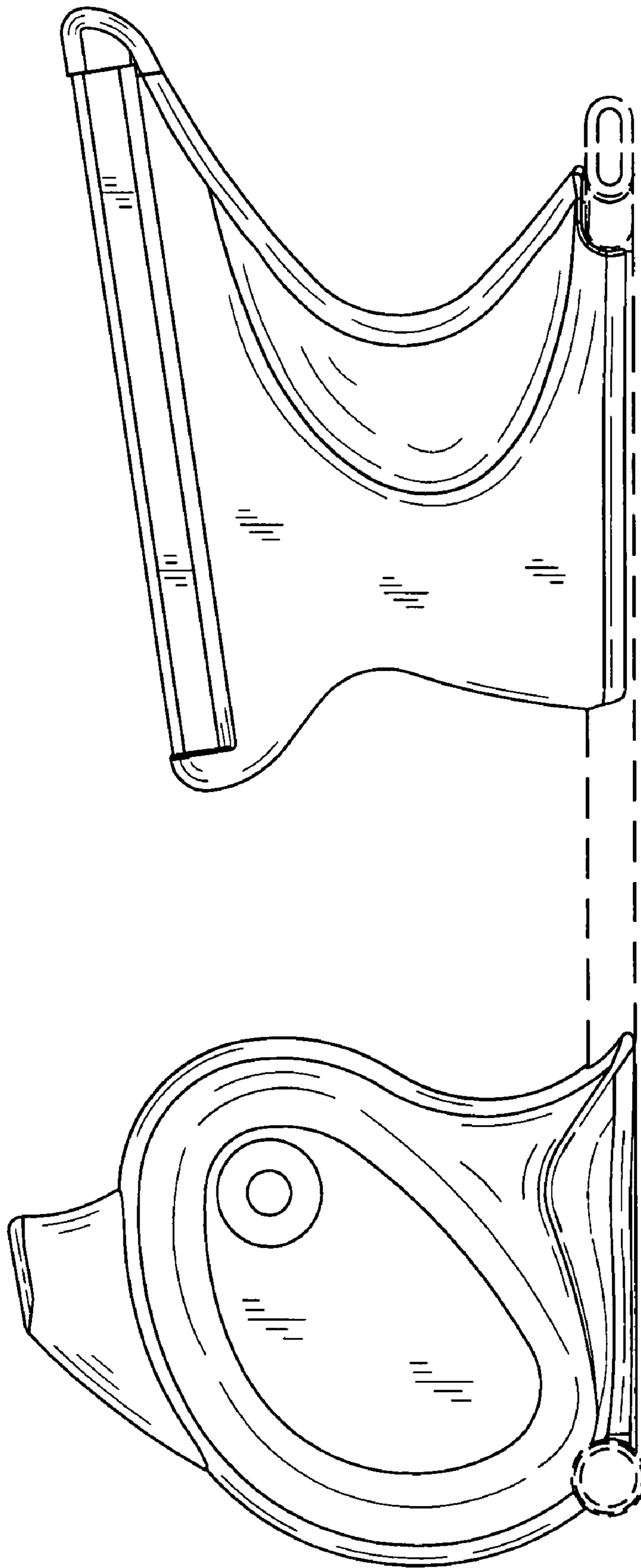


FIG. 2

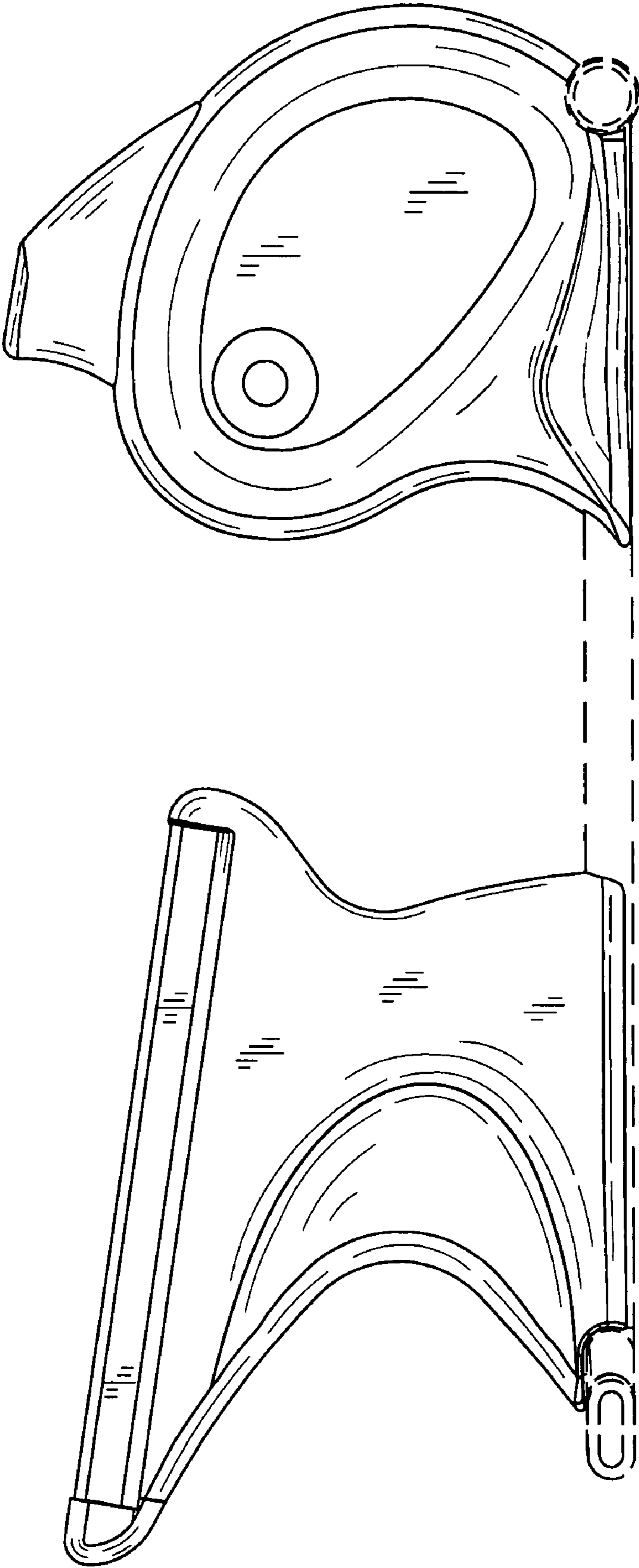


FIG. 3

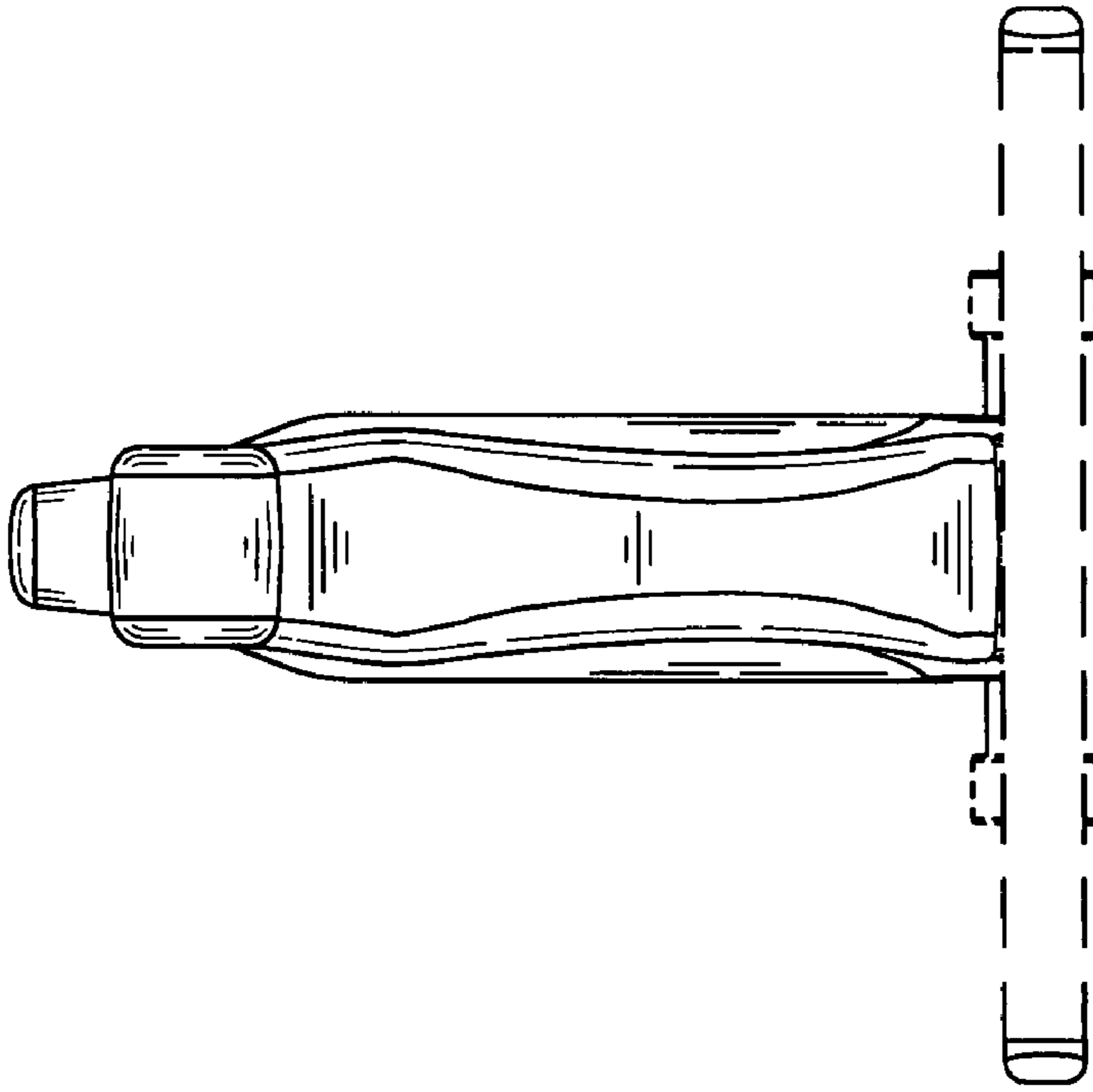


FIG. 5

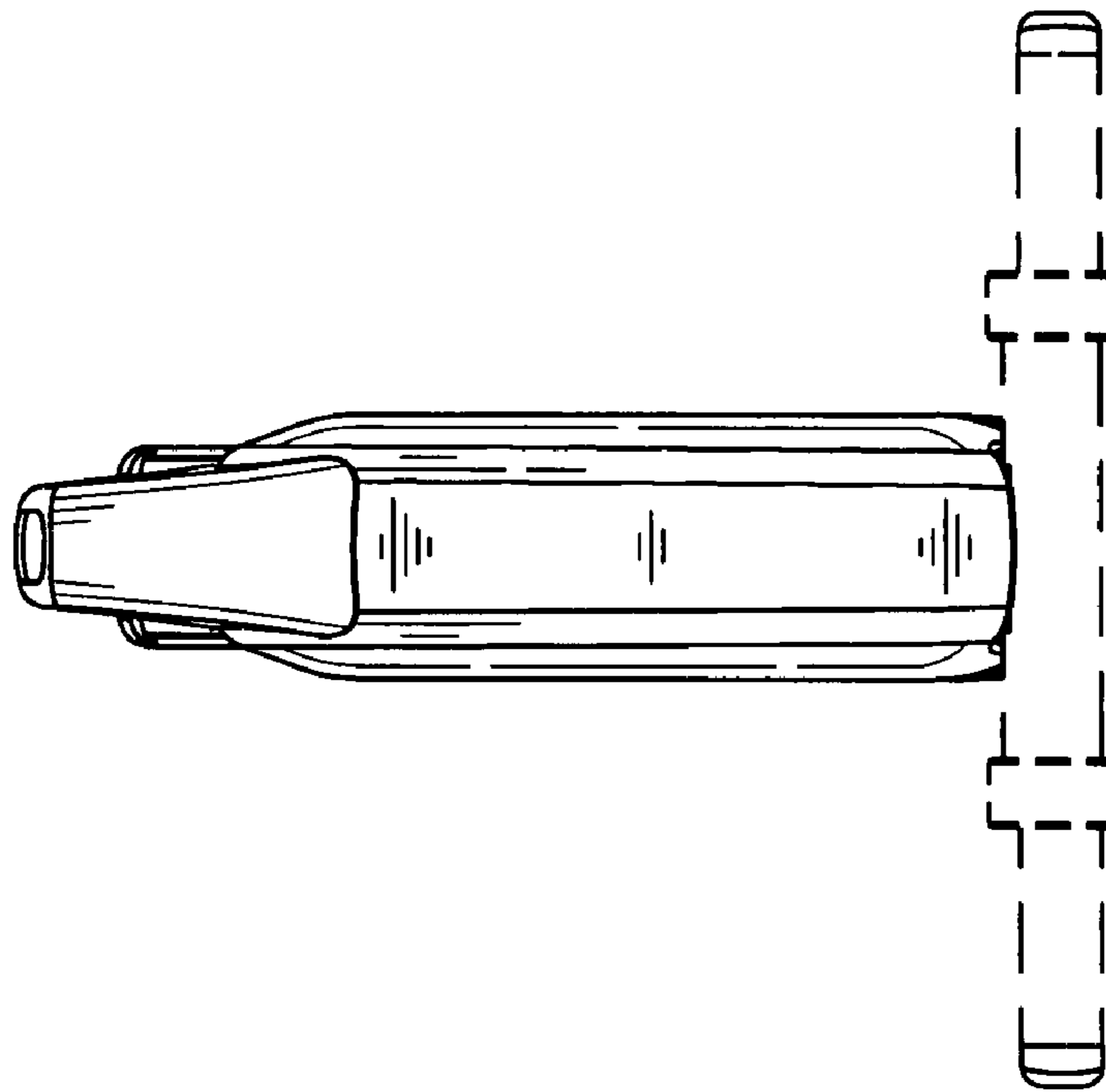


FIG. 4

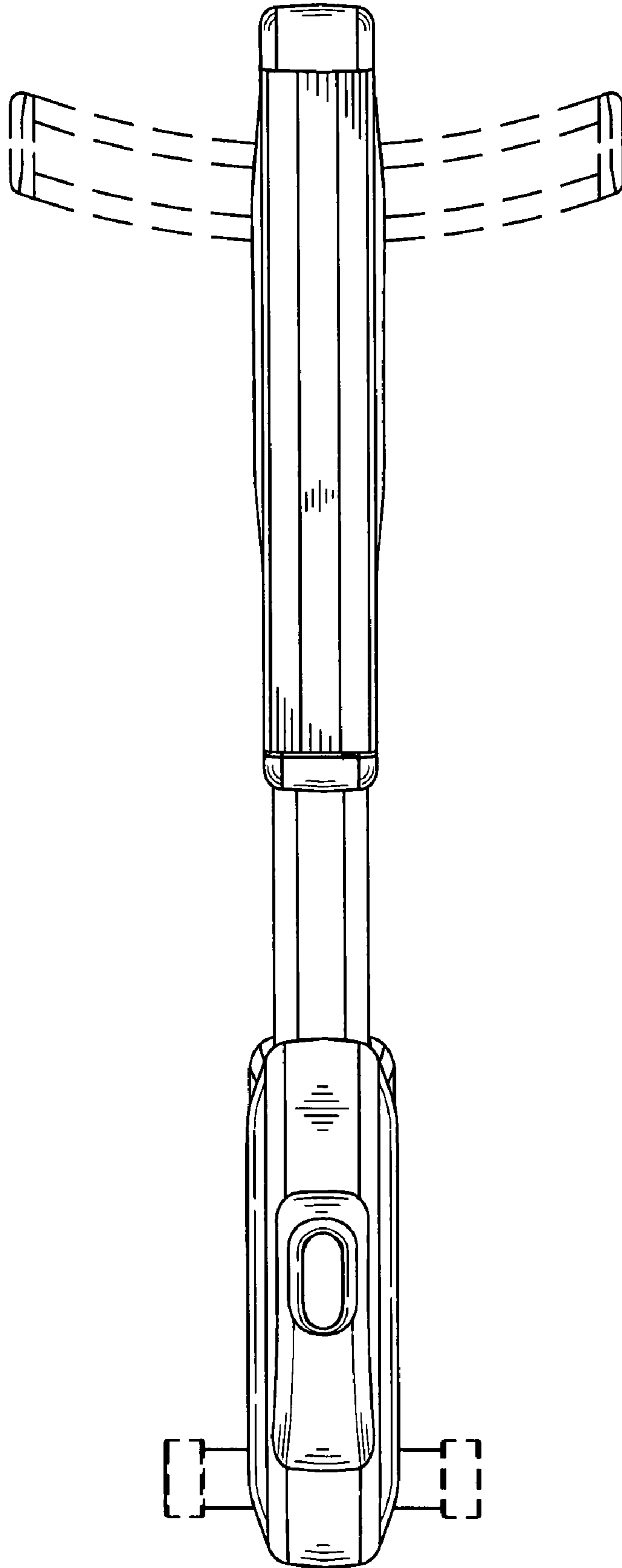


FIG. 6