



US00D564047S

(12) **United States Design Patent**
Choi

(10) **Patent No.:** **US D564,047 S**

(45) **Date of Patent:** **** Mar. 11, 2008**

(54) **RELIEVED EDGE APERTURE BODY AND FLEXING NECK LOADER LID**

(75) Inventor: **Arron Choi**, Kowloon (HK)

(73) Assignee: **JT Sports LLC**, Bentonville, AR (US)

(**) Term: **14 Years**

(21) Appl. No.: **29/260,783**

(22) Filed: **May 31, 2006**

(51) **LOC (8) Cl.** **21-01**

(52) **U.S. Cl.** **D21/573**

(58) **Field of Classification Search** D21/567,
D21/570-575; D22/100, 101, 103, 104,
D22/108, 109; 124/41.1, 45, 49, 51.1, 55,
124/56, 69, 70-74, 79

See application file for complete search history.

(56) **References Cited**

U.S. PATENT DOCUMENTS

1,743,576	A	1/1930	Smith	
5,282,454	A	2/1994	Bell et al.	124/49
5,722,383	A *	3/1998	Tippmann et al.	124/76
5,736,720	A	4/1998	Bell et al.	235/1
5,816,232	A	10/1998	Bell	124/51.1
6,055,975	A	5/2000	Gallagher et al.	124/50
6,142,137	A	11/2000	MacLaughlin	124/72
6,374,819	B1 *	4/2002	Ming-Hsien	124/49
6,725,852	B1	4/2004	Yokota et al.	124/49
6,729,497	B2	5/2004	Rice et al.	220/835
6,739,323	B2 *	5/2004	Tippmann, Jr.	124/51.1
D496,556	S	9/2004	Skrocki et al.	7/391
6,802,306	B1	10/2004	Rice	124/74

D535,339	S *	1/2007	Broersma	D21/573
D536,398	S *	2/2007	Broersma	D21/573
2003/0121927	A1	7/2003	Rice et al.	220/833
2004/0074489	A1	4/2004	Neumaster et al.	124/79
2005/0121015	A1 *	6/2005	Postorivo, Jr.	124/49
2006/0042614	A1	3/2006	Broersma	124/49

* cited by examiner

Primary Examiner—Holly H. Baynham

Assistant Examiner—Cynthia M. Chin

(74) *Attorney, Agent, or Firm*—Keisling Pieper + Scott PLC; David B. Pieper; Trent C. Keisling

(57) **CLAIM**

The ornamental design for a relieved edge aperture body and flexing neck loader lid, as shown and described.

DESCRIPTION

FIG. 1 is a top view of a relieved edge aperture body and flexing neck loader lid showing my new design;

FIG. 2 is a back view thereof;

FIG. 3 is a left side view thereof;

FIG. 4 is a front view thereof;

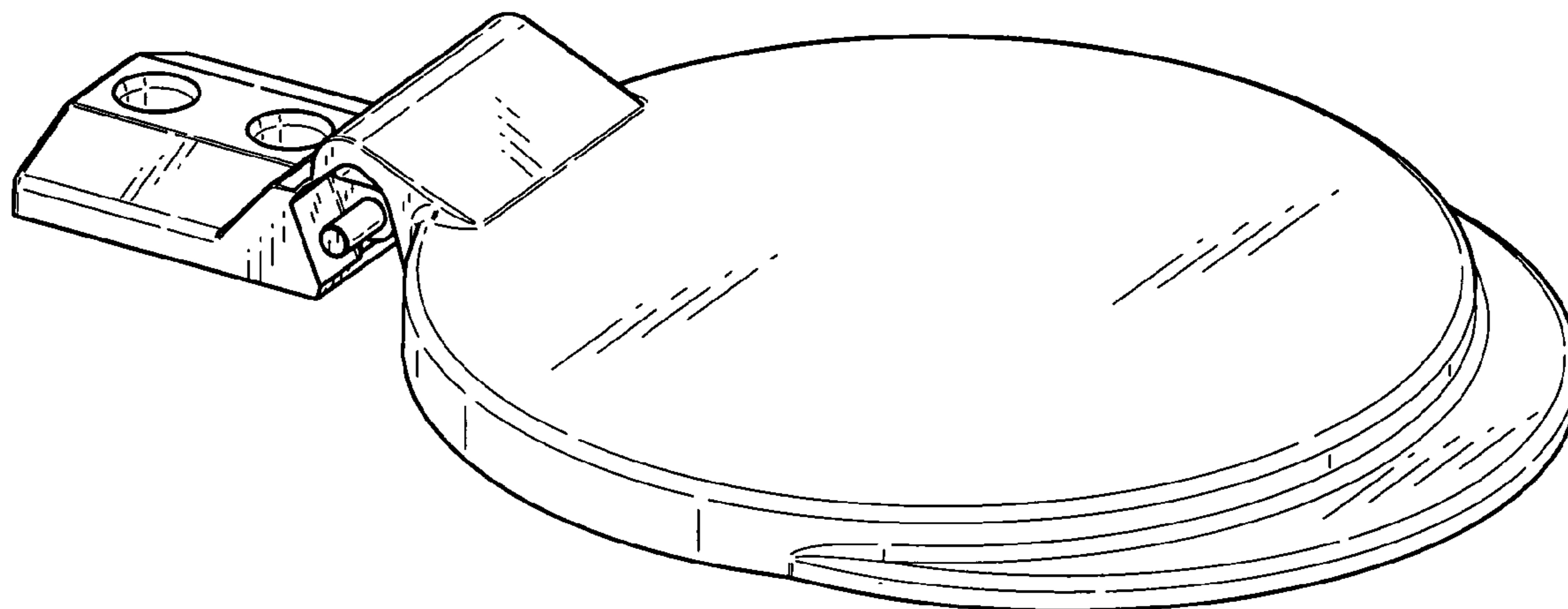
FIG. 5 is a right side view thereof;

FIG. 6 is a bottom view thereof;

FIG. 7 is an isometric view thereof; and,

FIG. 8 is an environmental view thereof showing the lid connected to a paintball loader body with the broken lines in the drawings used for illustrative purposes only such that the loader body forms no part of the claimed design.

1 Claim, 4 Drawing Sheets



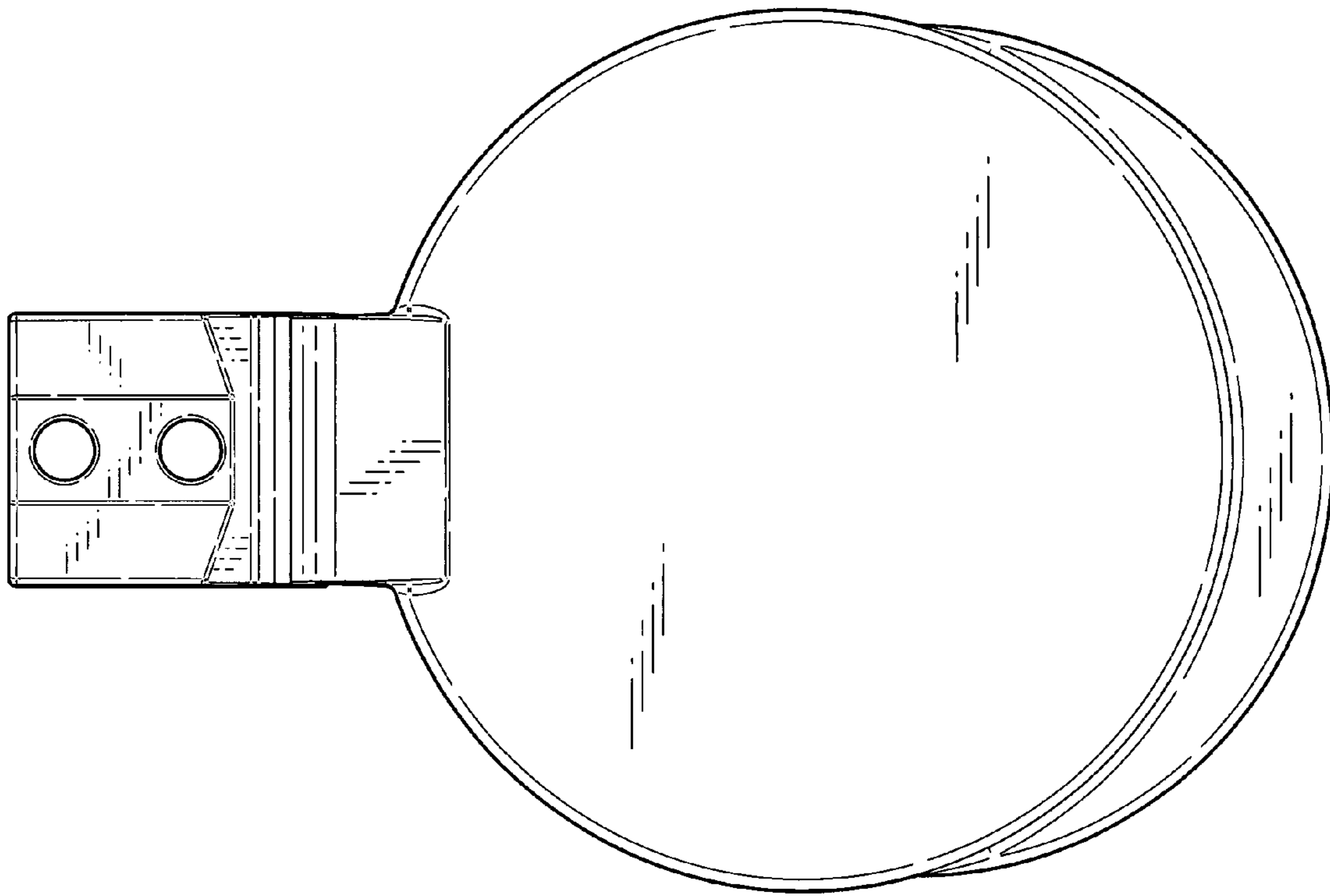


FIG. 1

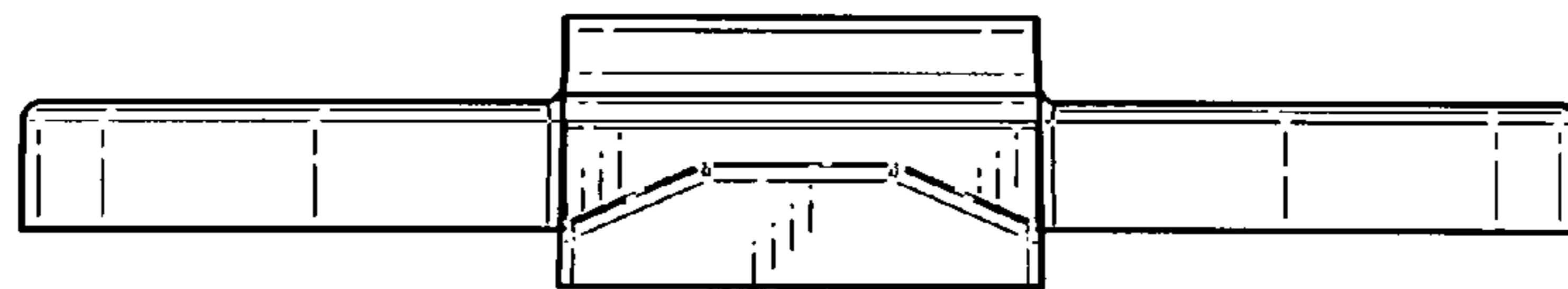


FIG. 2

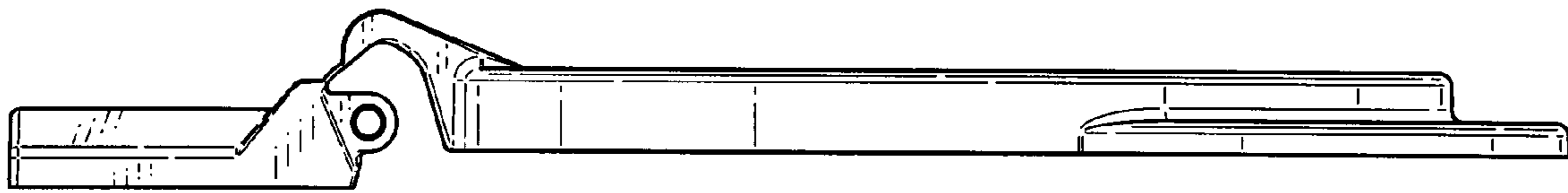


FIG. 3

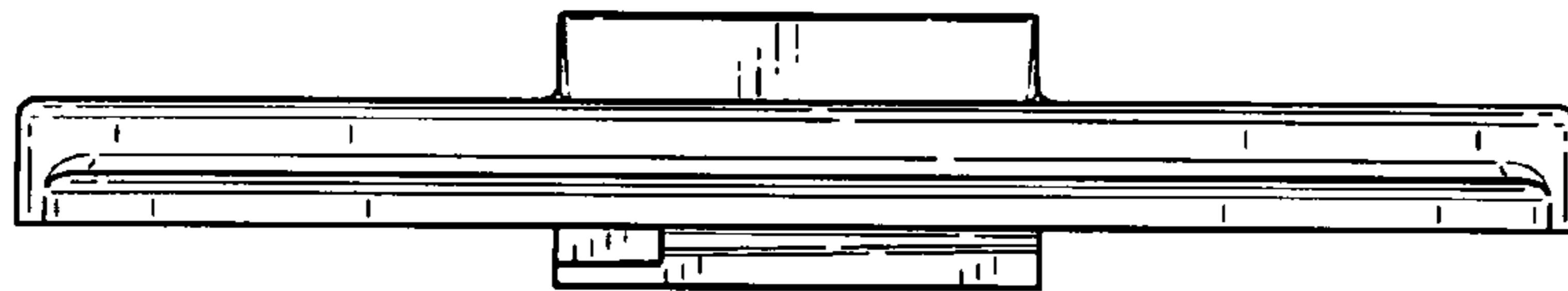


FIG. 4

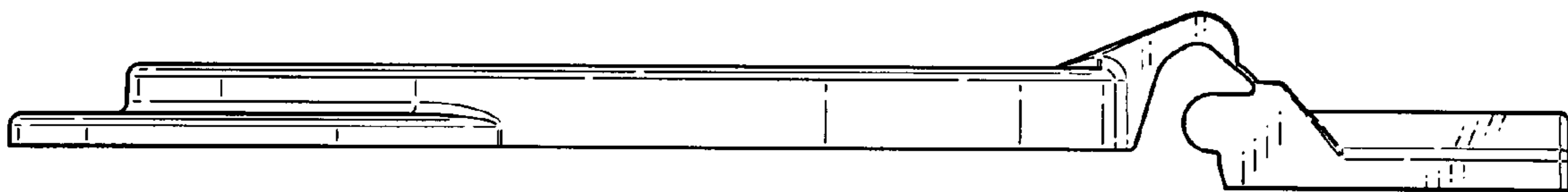


FIG. 5

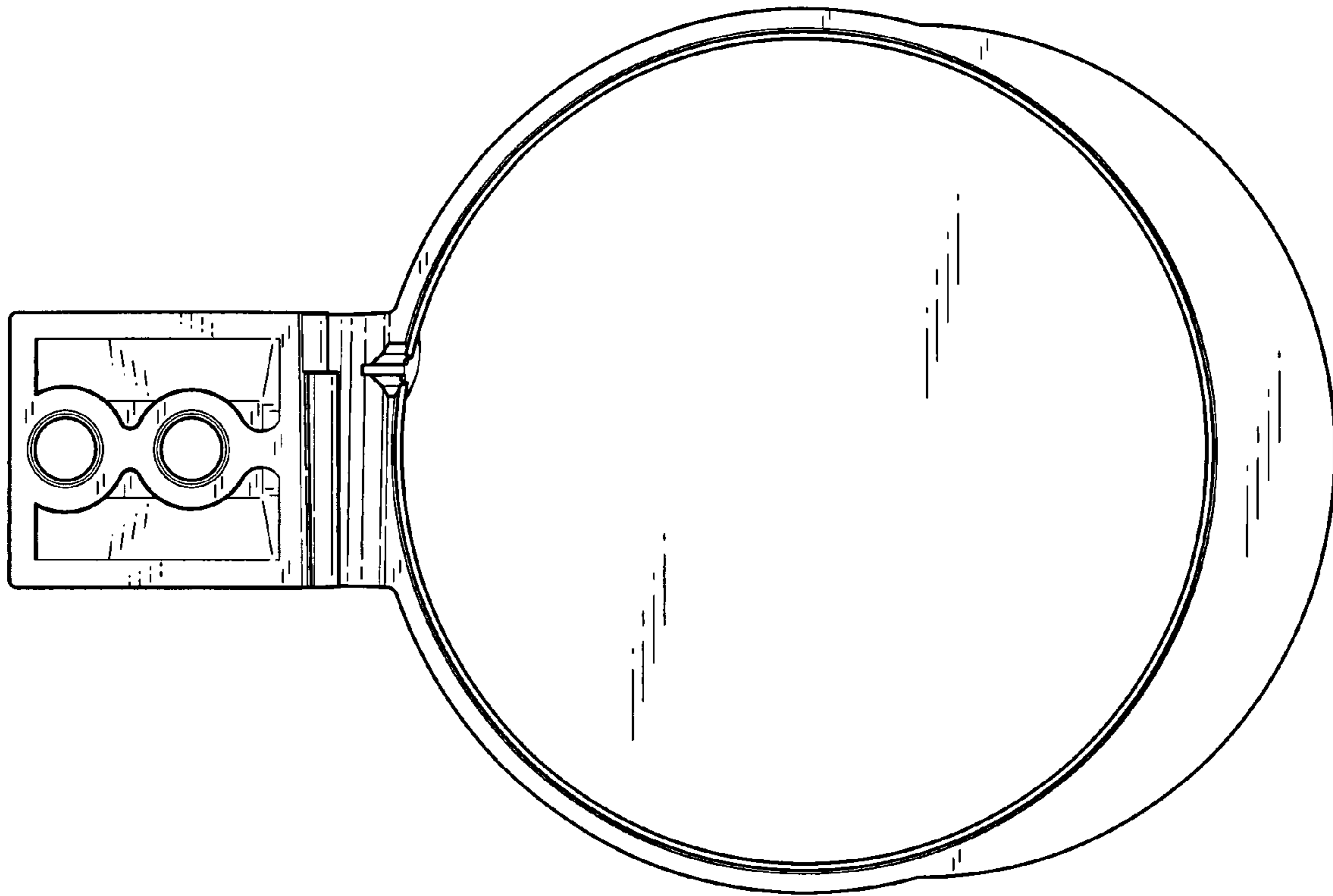


FIG. 6

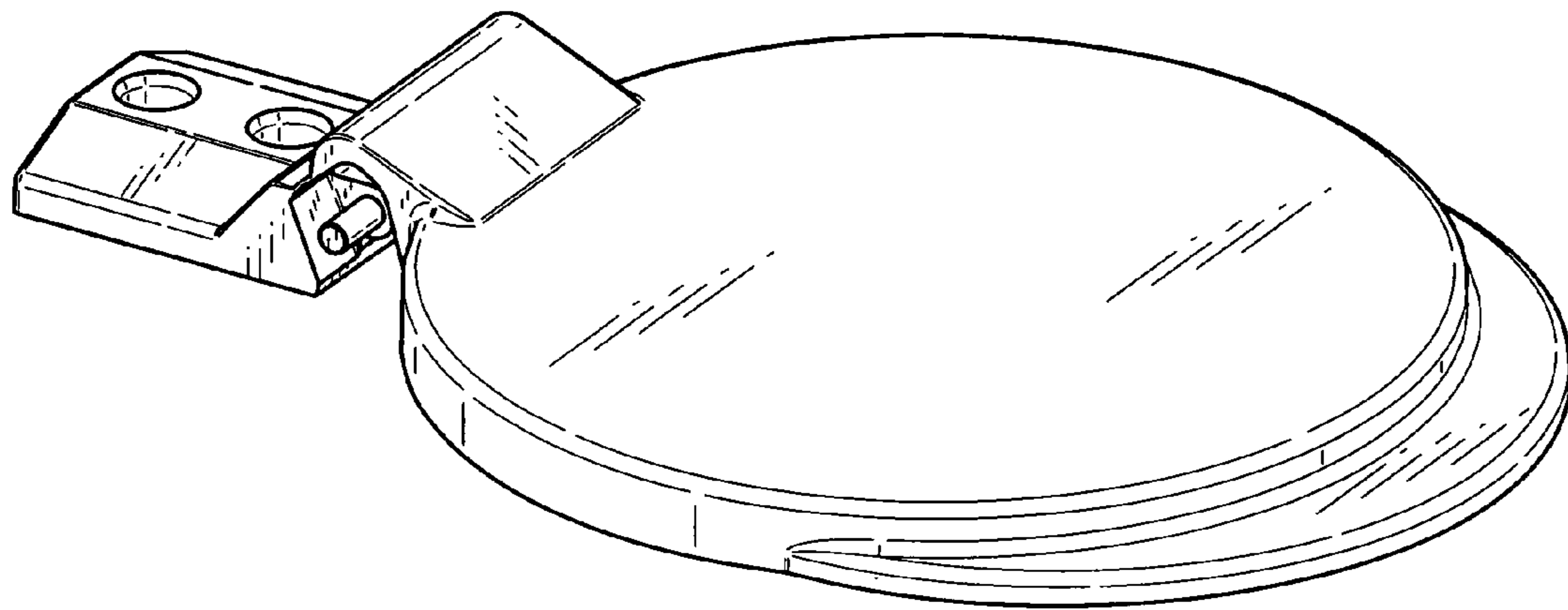


FIG. 7

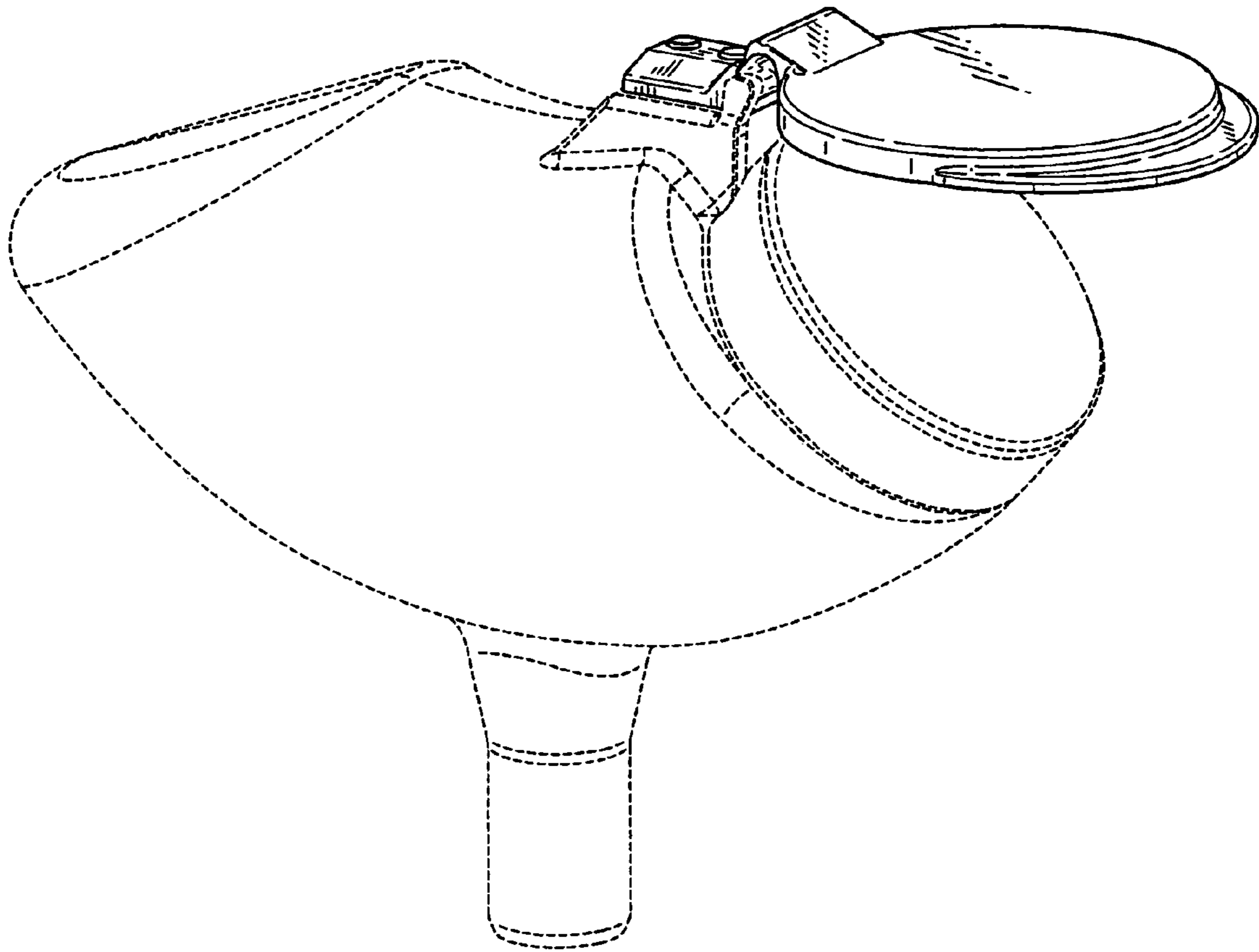


FIG. 8