



US00D564045S

(12) **United States Design Patent**
Fallas

(10) **Patent No.:** **US D564,045 S**

(45) **Date of Patent:** **** Mar. 11, 2008**

(54) **TOY ICE CREAM TRUCK**

D435,876 S * 1/2001 Cattoni et al. D21/552
6,439,637 B1 * 8/2002 Tyrer 296/79
D483,694 S * 12/2003 Bellington D12/16

(76) Inventor: **Ike Fallas**, Miss Sportswear, Inc., 117
9th St., Brooklyn, NY (US) 11215

* cited by examiner

(**) Term: **14 Years**

Primary Examiner—Holly H. Baynham

Assistant Examiner—Cynthia M. Chin

(21) Appl. No.: **29/271,479**

(74) *Attorney, Agent, or Firm*—Ezra Sutton

(22) Filed: **Jan. 19, 2007**

(57) **CLAIM**

(51) **LOC (8) Cl.** **21-01**

The ornamental design for a toy ice cream truck, as shown and described.

(52) **U.S. Cl.** **D21/552; D21/434**

(58) **Field of Classification Search** D21/419,
D21/434, 533, 548, 552, 558, 559; D12/1,
D12/14, 16, 93, 96; 446/93, 95, 431, 470;
180/65.1; 296/79

See application file for complete search history.

DESCRIPTION

FIG. 1 is a perspective view of a toy ice cream truck embodying my new design;

FIG. 2 is a front elevational view thereof;

FIG. 3 is a rear elevational view thereof;

FIG. 4 is a right side elevational view thereof;

FIG. 5 is a left side elevational view thereof;

FIG. 6 is a top plan view thereof; and,

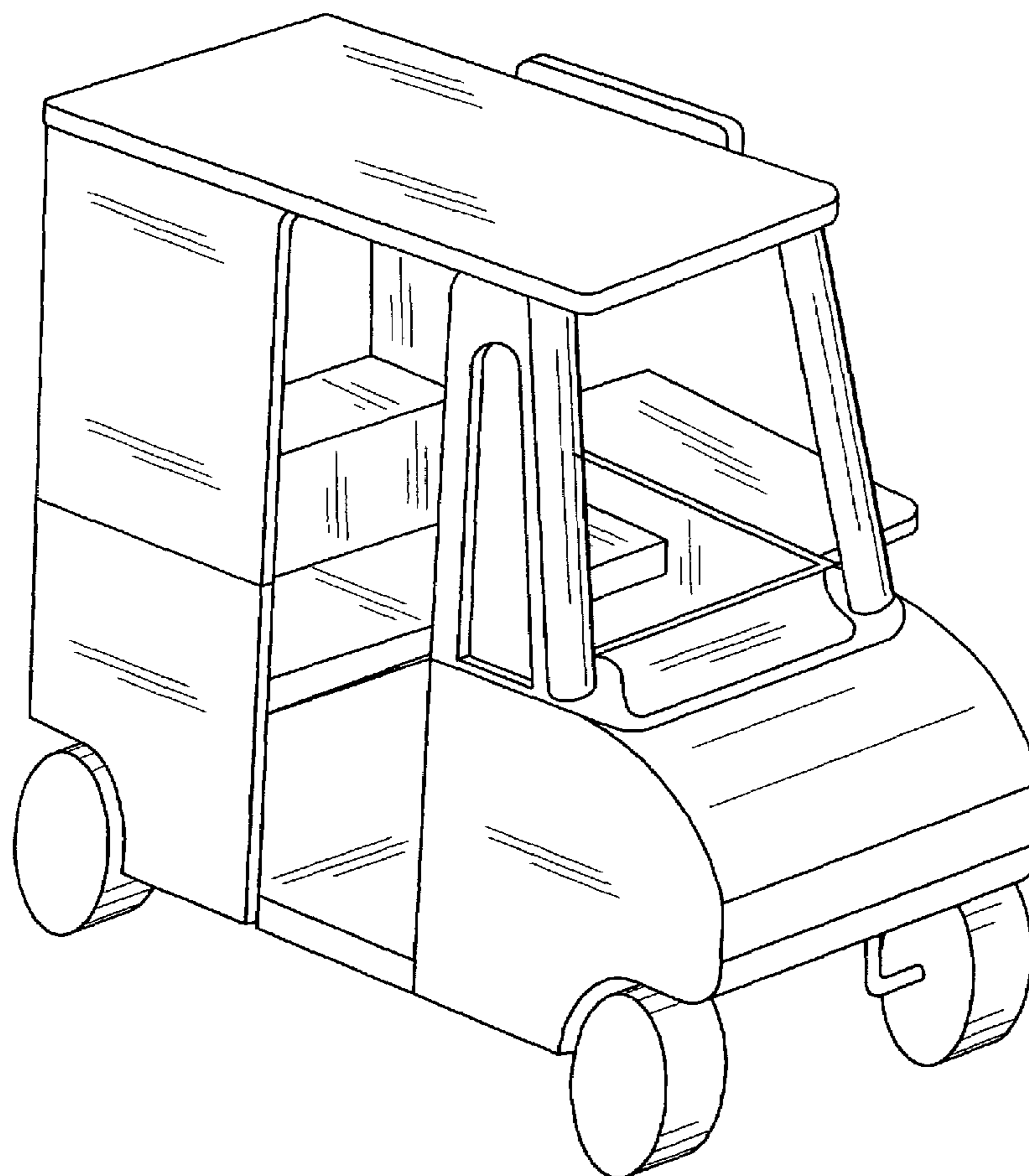
FIG. 7 is a bottom plan view thereof.

(56) **References Cited**

U.S. PATENT DOCUMENTS

D251,210 S * 2/1979 Morrison et al. D21/434
D279,589 S * 7/1985 Marshall D21/434
D314,998 S * 2/1991 Berggren D21/548
D347,030 S * 5/1994 Nolan D21/434
D349,265 S * 8/1994 Patton D12/14
D382,922 S * 8/1997 Dirden D21/552

1 Claim, 4 Drawing Sheets



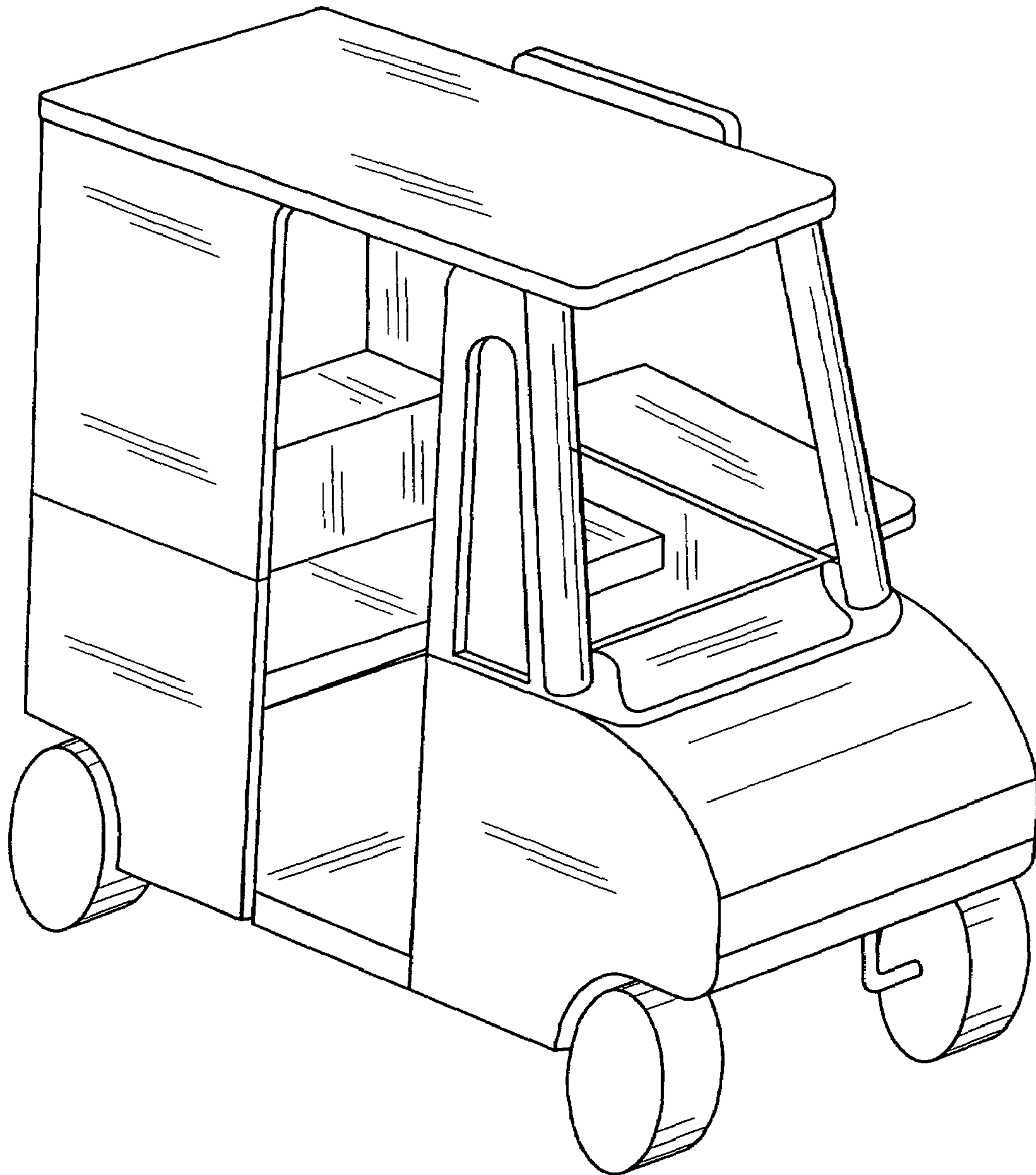


FIG. 1

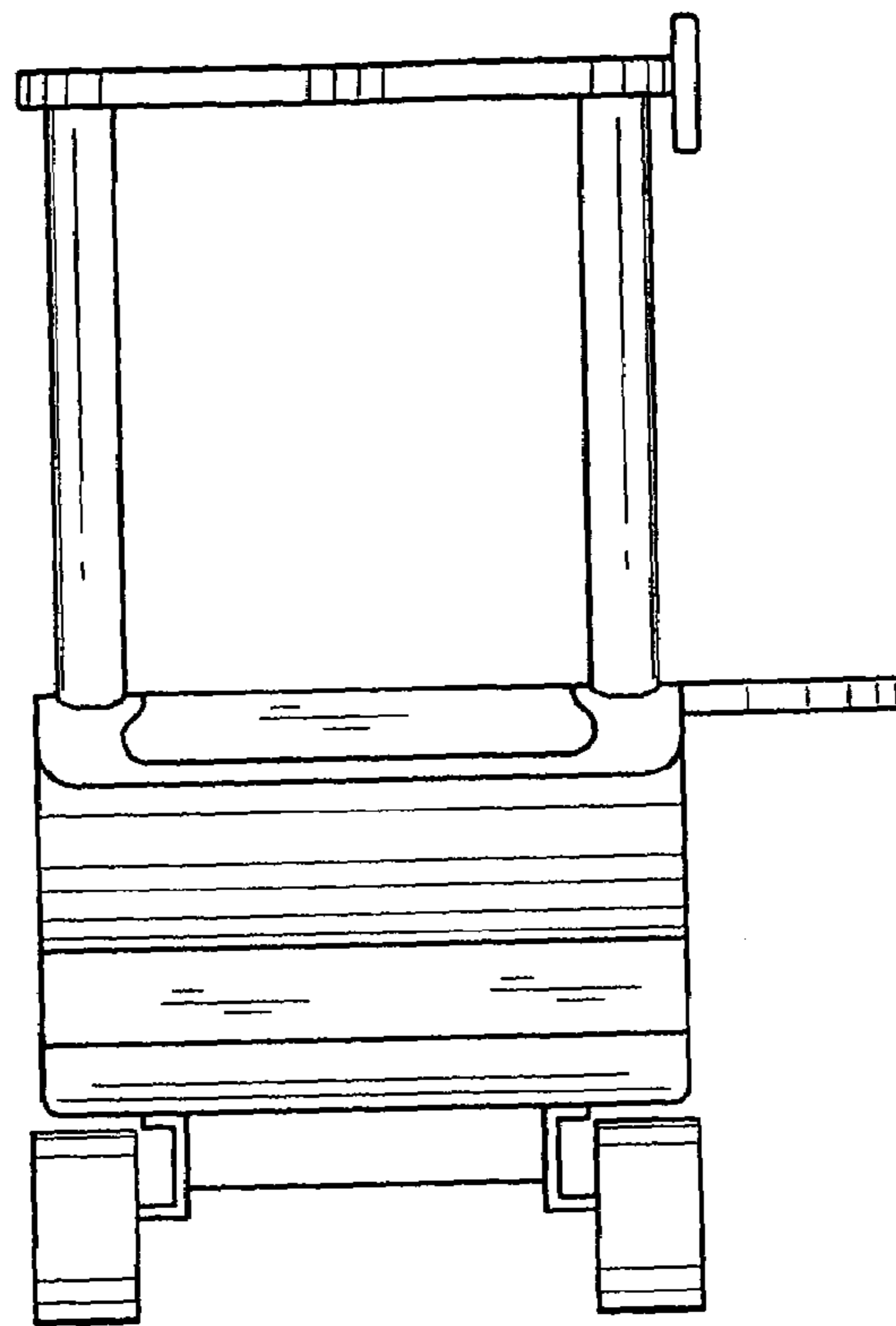


FIG. 2

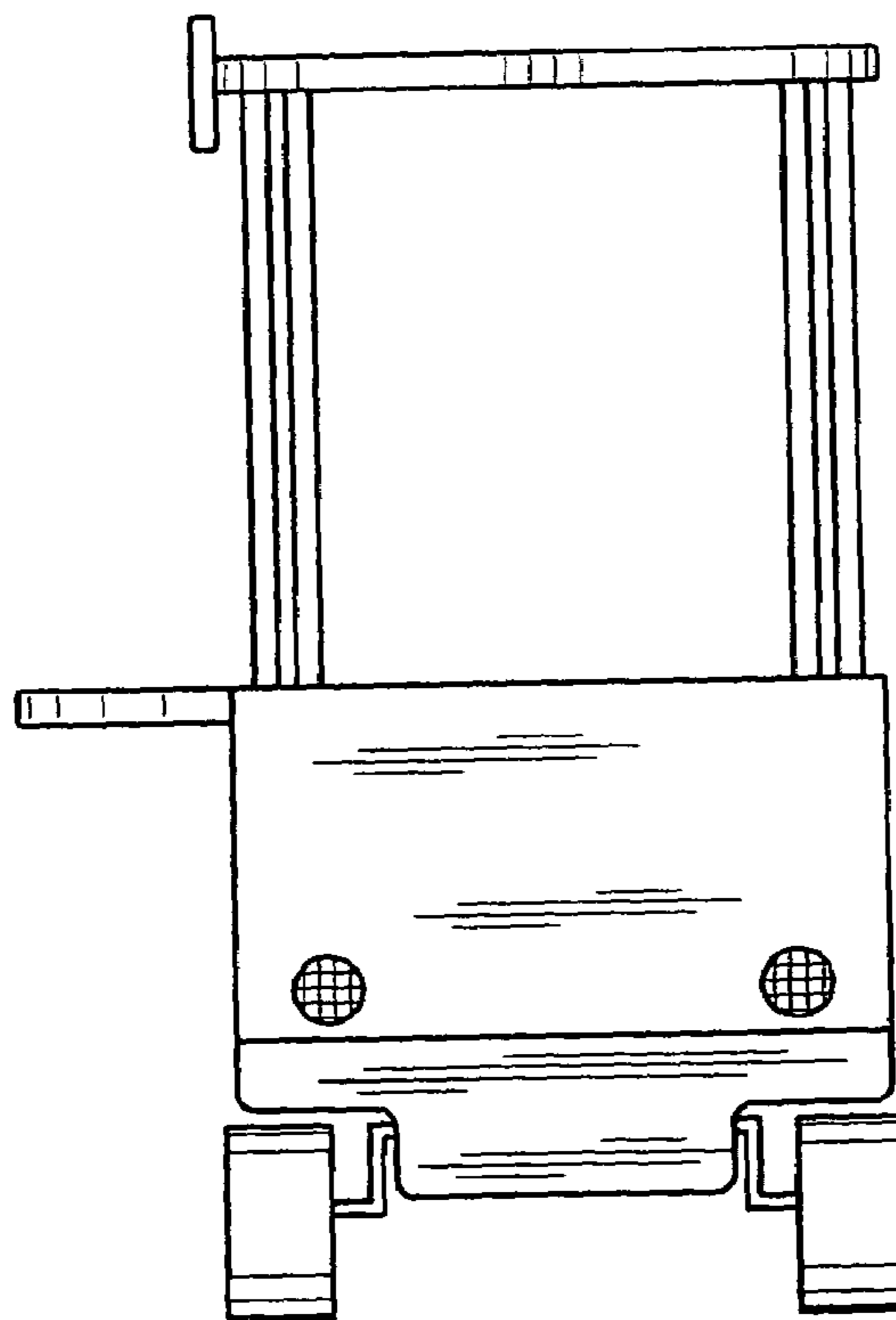


FIG. 3

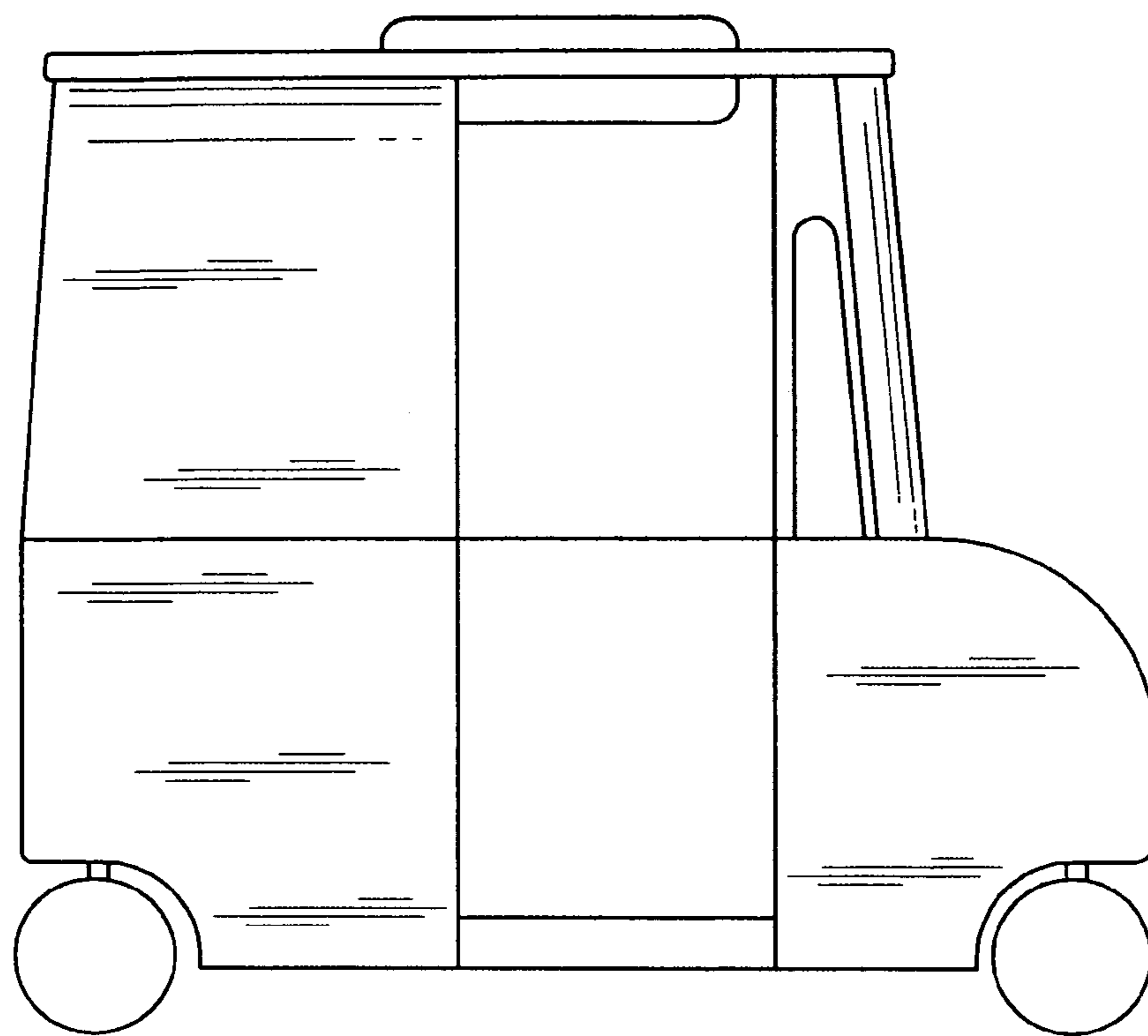


FIG. 4

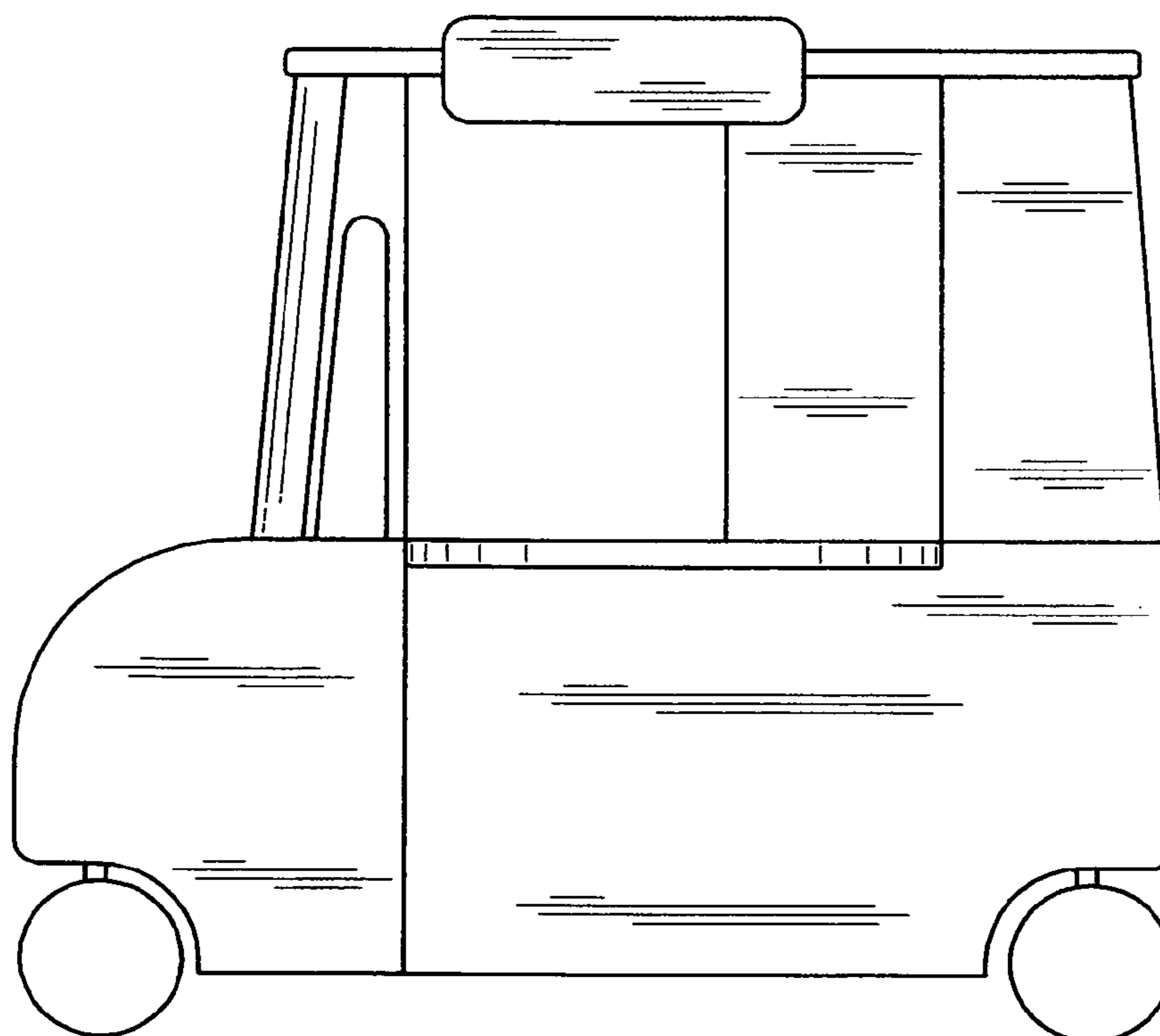


FIG. 5

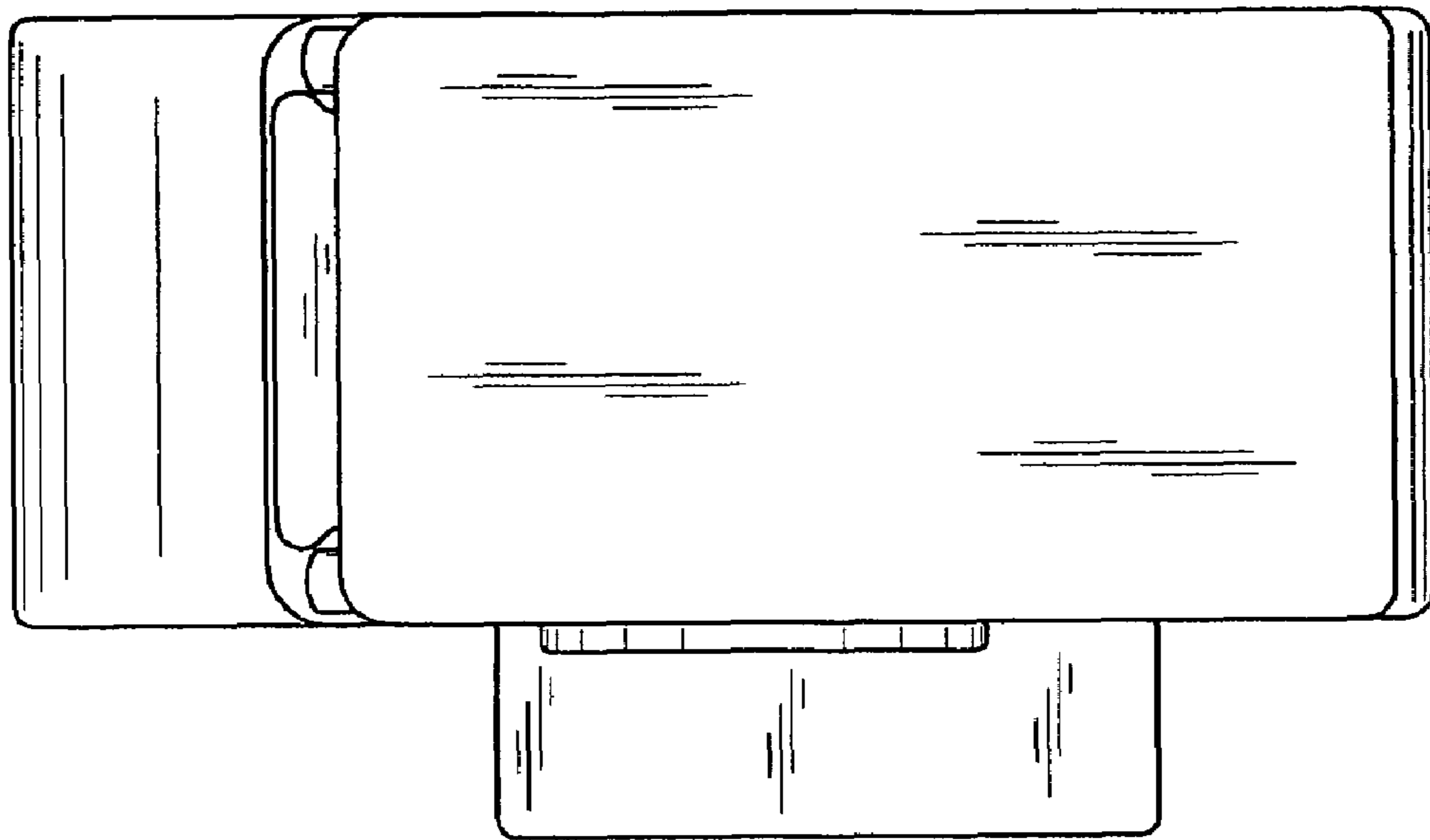


FIG. 6

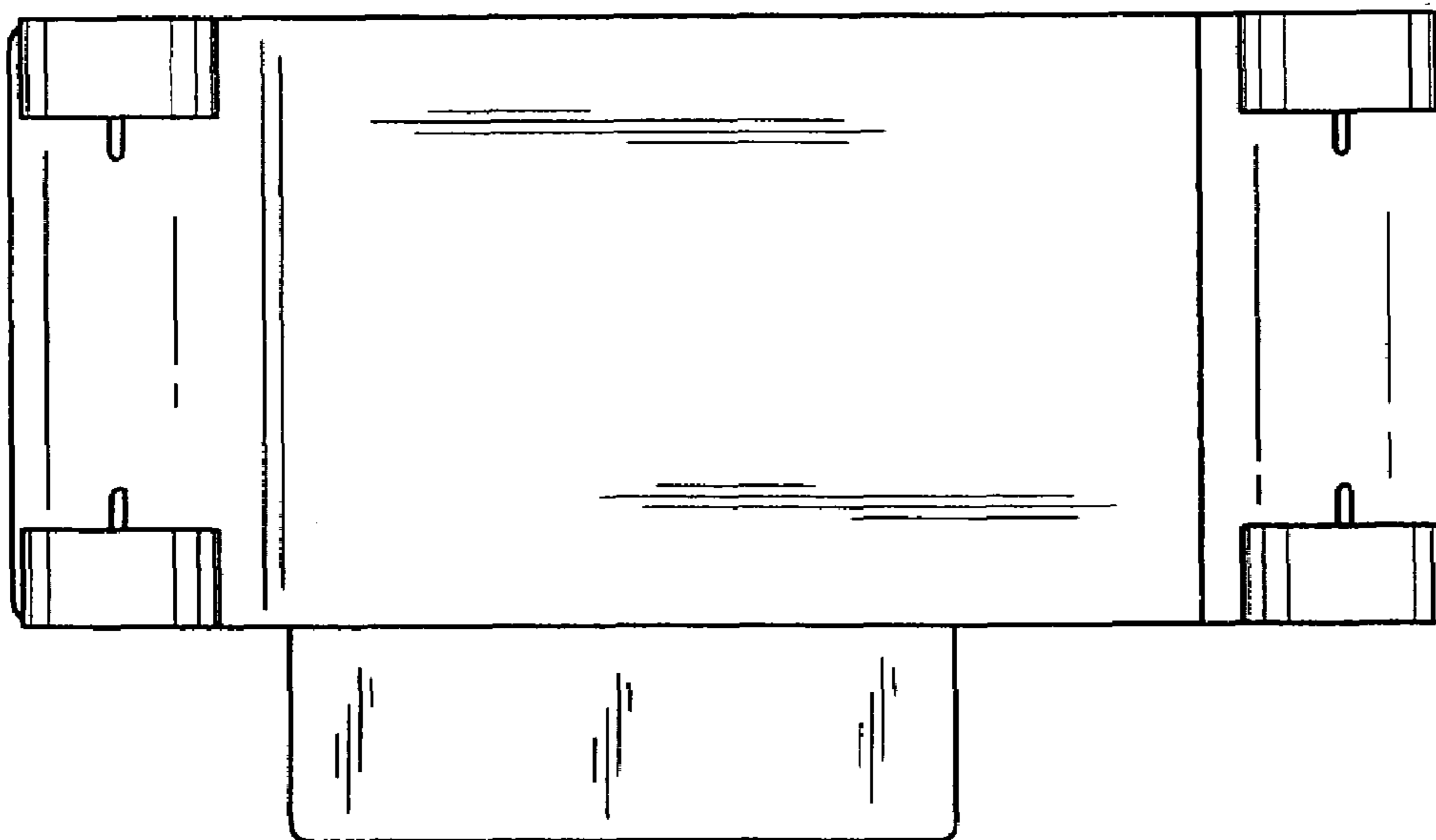


FIG. 7