

US00D564044S

(12) **United States Design Patent**
Rolf

(10) **Patent No.:** **US D564,044 S**
(45) **Date of Patent:** **** Mar. 11, 2008**

(54) **TOY CONSTRUCTION ELEMENT**

(75) Inventor: **Theodorus Suibertus Anthonius Rolf**,
Leukerbad (CH)
(73) Assignee: **Techno Bloxx GmbH**, Leukerbad (CH)
(**) Term: **14 Years**
(21) Appl. No.: **29/225,950**
(22) Filed: **Mar. 23, 2005**

(30) **Foreign Application Priority Data**

Sep. 27, 2004 (CH) 131102

(51) **LOC (8) Cl.** **21-01**
(52) **U.S. Cl.** **D21/486**
(58) **Field of Classification Search** D21/478-479,
D21/484, 486-488, 499-500, 503; 5/589.1,
5/592.6, 603-607
See application file for complete search history.

(56) **References Cited**

U.S. PATENT DOCUMENTS

2,095,700 A * 10/1937 Heede 446/113
D290,721 S * 7/1987 Ryaa et al. D21/503
D292,477 S * 10/1987 Shyi-Kuan D8/21
D354,319 S * 1/1995 Wilson D21/503
D396,499 S * 7/1998 Larws D21/484
D420,711 S * 2/2000 Glickman D21/503
D426,588 S * 6/2000 Glickman D21/503
D516,635 S * 3/2006 Kim D21/503
D517,615 S * 3/2006 Kim D21/486
2004/0154256 A1* 8/2004 Kim 52/592.6

OTHER PUBLICATIONS

kiditec® (from Techno Bloxx). Downloaded Feb. 27, 2007 at
<http://b2b.diditec.com/...>*
* cited by examiner

Primary Examiner—Philip S. Hyder
Assistant Examiner—RoseLynne (Ulm) Cody
(74) *Attorney, Agent, or Firm*—Foley & Lardner LLP

(57) **CLAIM**

I claim the ornamental design for a toy construction element,
as shown and described.

DESCRIPTION

FIG. 1 is a perspective, top, front and right side view of the
toy construction element showing an embodiment of the
new design;
FIG. 2 is a top plan view of the toy construction element of
FIG. 1;
FIG. 3 is a front elevation view of the toy construction
element of FIG. 1;
FIG. 4 is a rear elevation view of the toy construction
element of FIG. 1;
FIG. 5 is a right side elevation view of the toy construction
element of FIG. 1;
FIG. 6 is a left side elevation view of the toy construction
element of FIG. 1;
FIG. 7 is a bottom plan view of the toy construction element
of FIG. 1; and,
FIG. 8 is a perspective, bottom, back and right side view of
the toy construction element of FIG. 1.

1 Claim, 3 Drawing Sheets

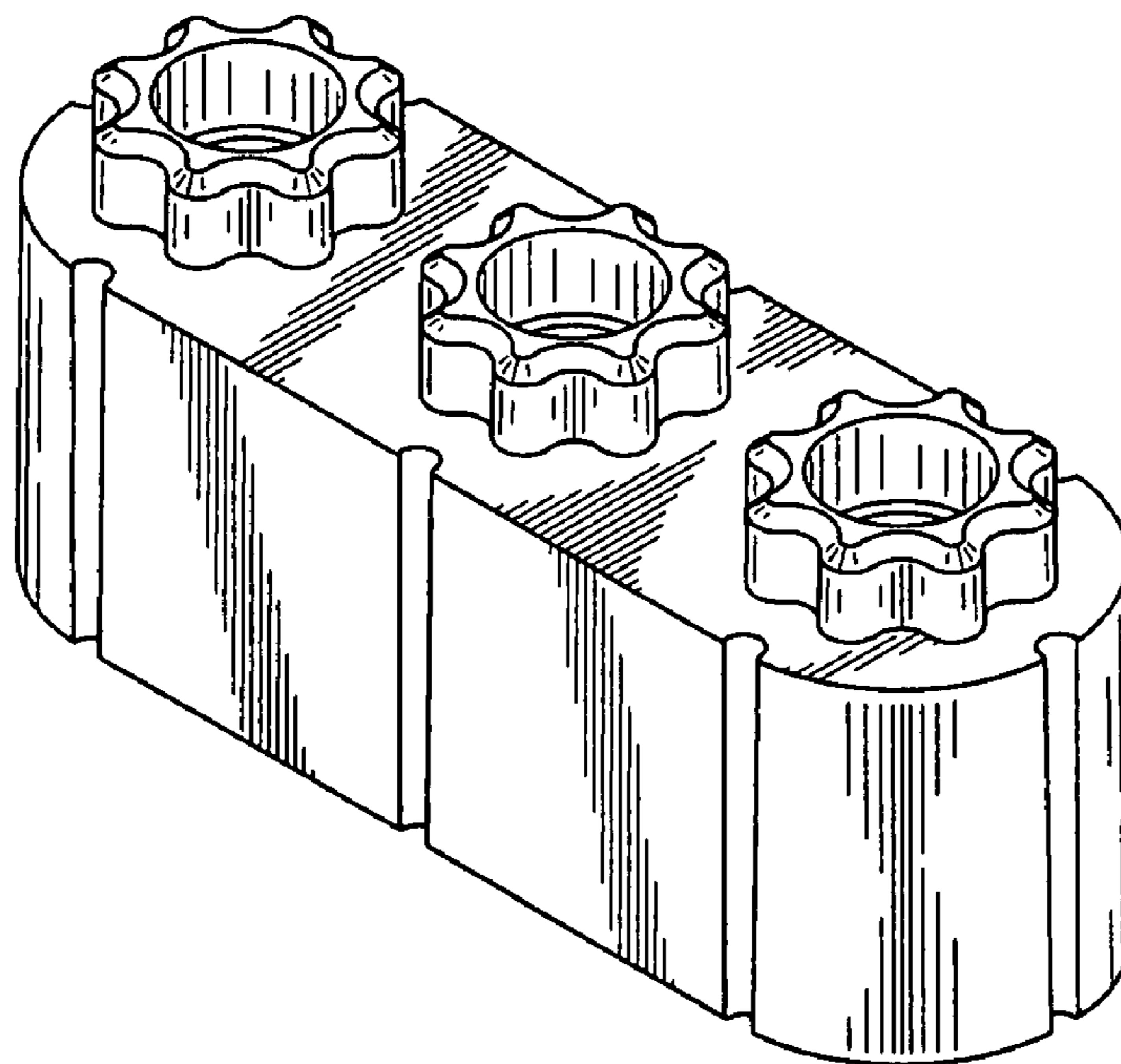


Fig. 1

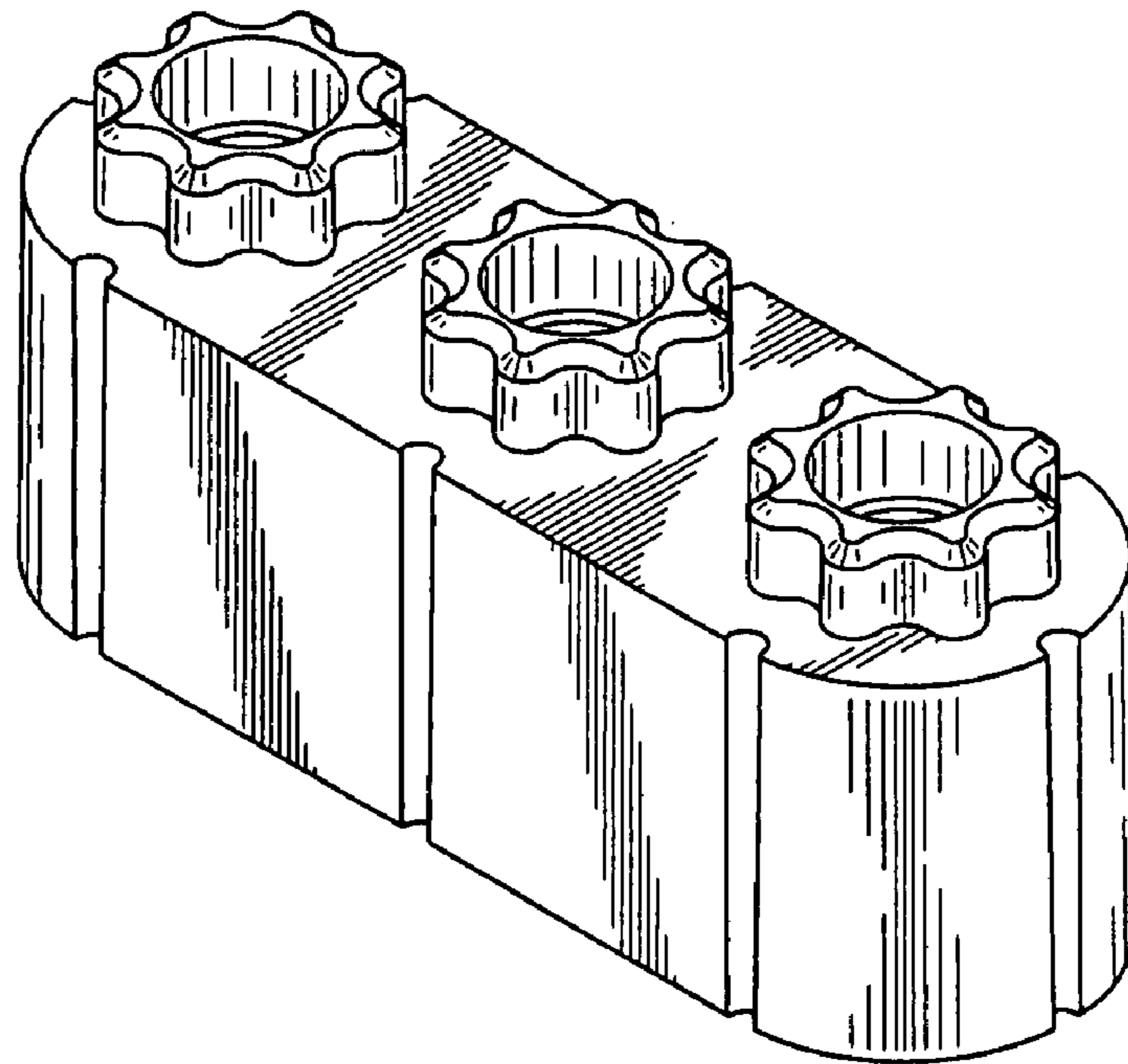


Fig. 2

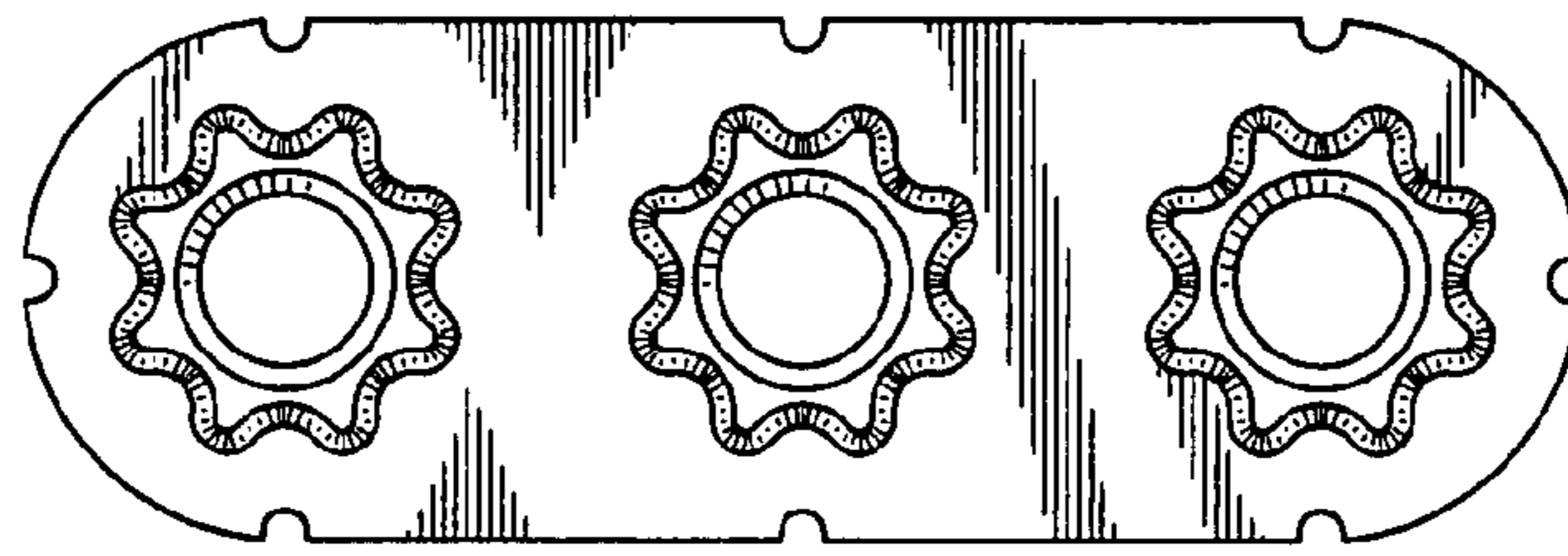


Fig. 3

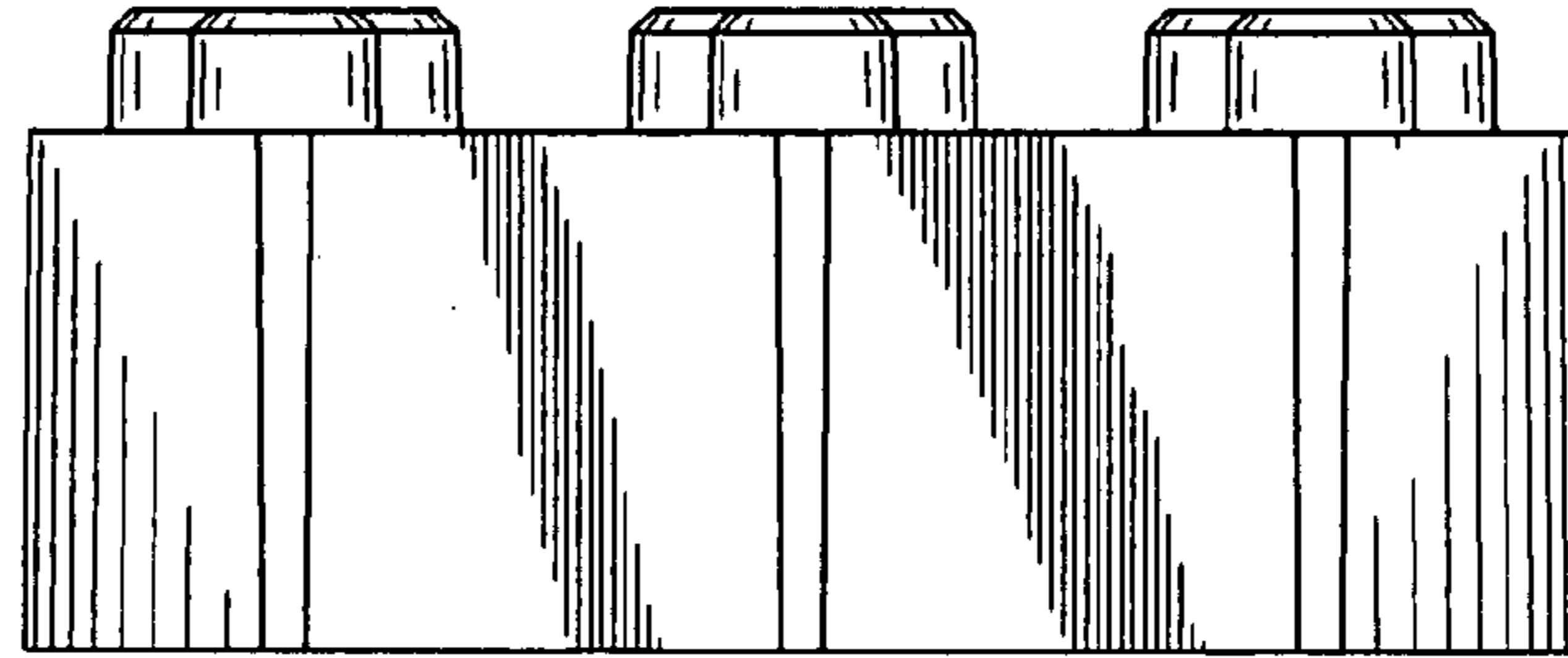


Fig. 4

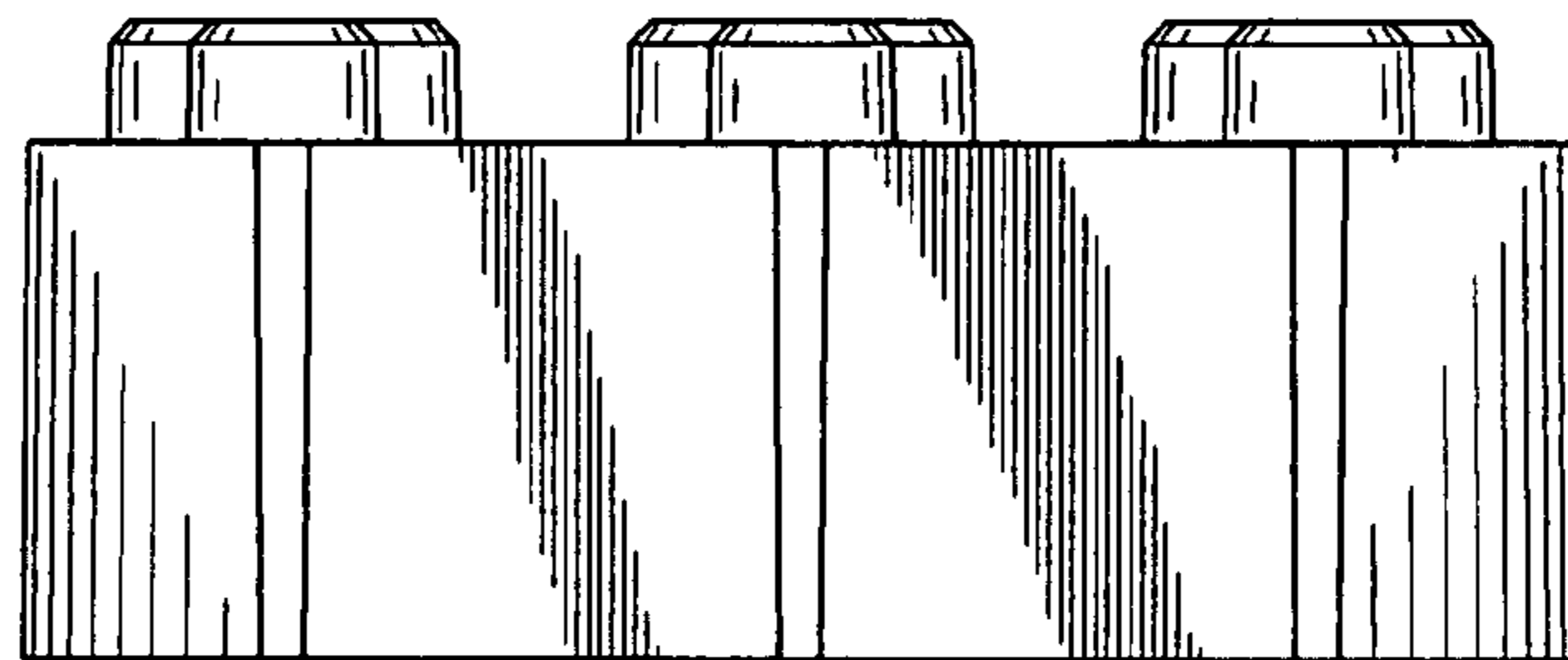


Fig. 5

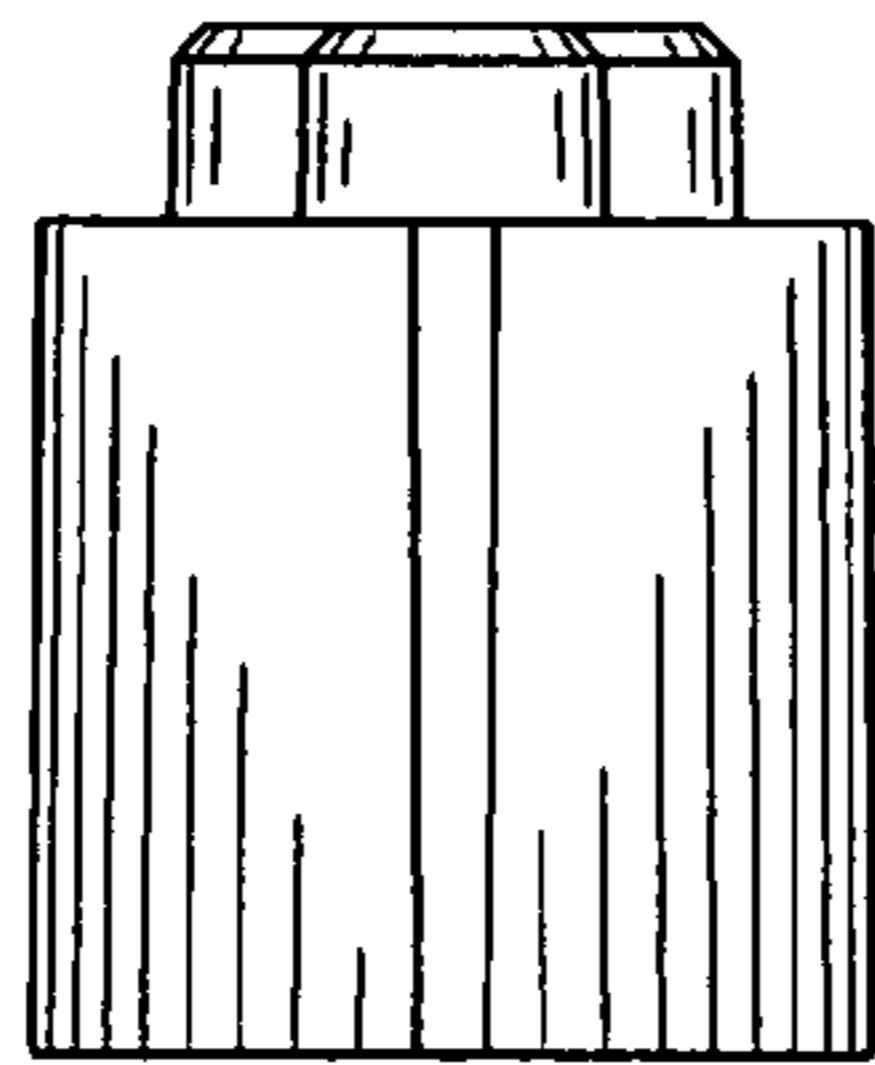


Fig. 6

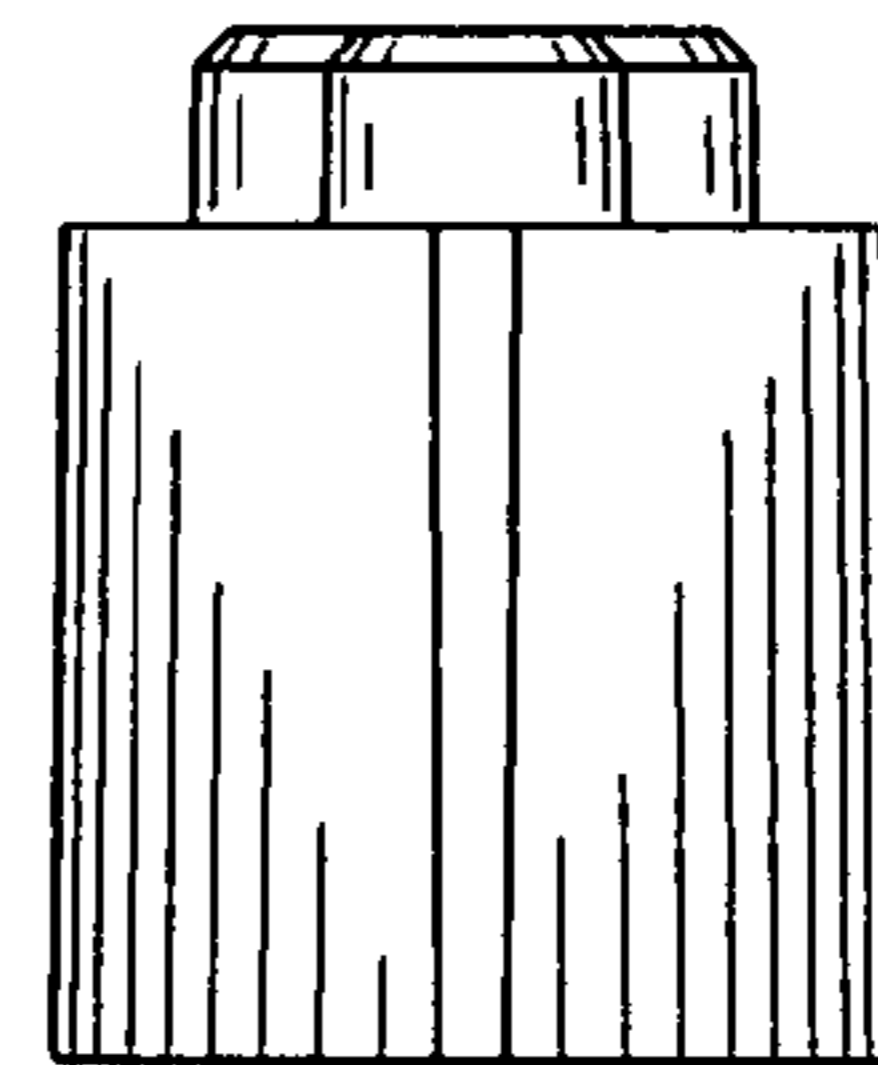


Fig. 7

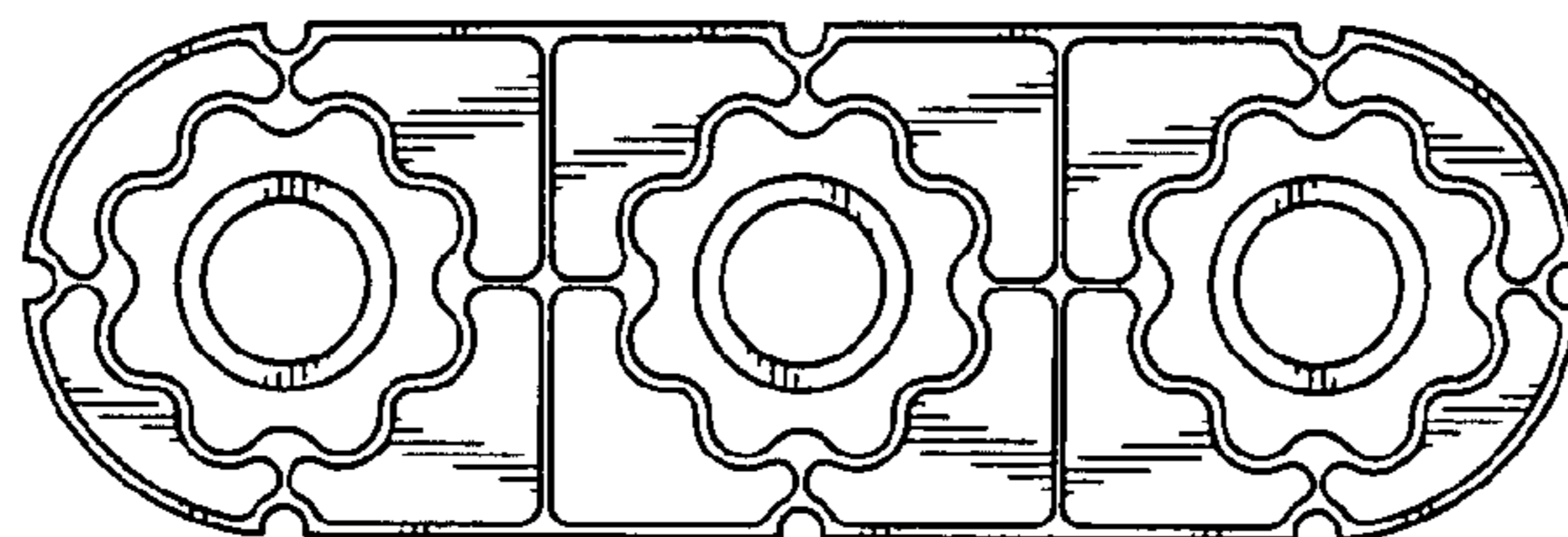


Fig. 8

