



US00D564041S

(12) **United States Design Patent**
Rodriguez et al.

(10) **Patent No.:** **US D564,041 S**
(45) **Date of Patent:** **** Mar. 11, 2008**

(54) **CHILDREN'S RIDING TOY**

(75) Inventors: **Hector Rodriguez**, Cicero, IL (US);
Earle Cramer, Chicago, IL (US);
Mark Kurth, Chicago, IL (US); **Mark Johnson**, Cary, IL (US)

(73) Assignee: **Radio Flyer, Inc.**, Chicago, IL (US)

(**) Term: **14 Years**

(21) Appl. No.: **29/285,276**

(22) Filed: **Mar. 26, 2007**

(51) **LOC (8) Cl.** **21-01**

(52) **U.S. Cl.** **D21/435**

(58) **Field of Classification Search** D21/419,
D21/424, 426, 432, 435; D12/112, 113;
280/278, 282, 87.021, 288.1, 288.2
See application file for complete search history.

(56) **References Cited**

U.S. PATENT DOCUMENTS

D277,947 S * 3/1985 Blumenthal D12/112
D480,023 S * 9/2003 Hsaio D12/112
D483,420 S * 12/2003 DeLong et al. D21/435

D484,073 S * 12/2003 Heinemann et al. D12/112
D514,476 S * 2/2006 Glenn, II D12/112
D524,699 S * 7/2006 Kurth et al. D12/112

* cited by examiner

Primary Examiner—Holly H. Baynham

Assistant Examiner—Cynthia M. Chin

(74) *Attorney, Agent, or Firm*—B. Blake Johnston; DLA Piper US LLP

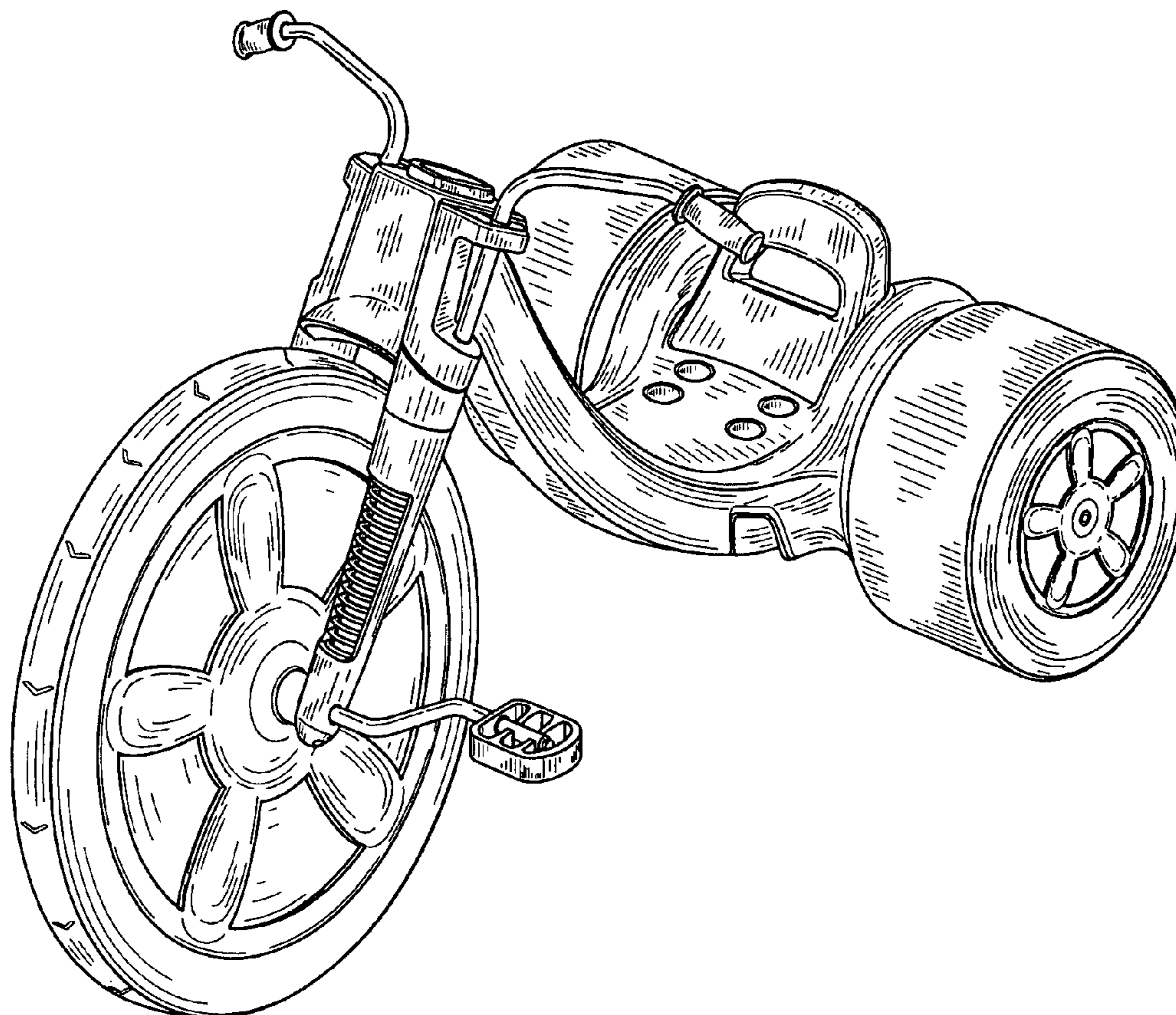
(57) **CLAIM**

The ornamental design for a children's riding toy, as shown and described.

DESCRIPTION

FIG. 1 is a perspective view of the children's riding toy; FIG. 2 is a front elevational view of the children's riding toy; FIG. 3 is a rear elevational view of the children's riding toy; FIG. 4 is a left side elevational view of the children's riding toy, the opposite side of which is an identical mirror image; FIG. 5 is a top plan view of the children's riding toy; and, FIG. 6 is a bottom plan view of the children's riding toy.

1 Claim, 5 Drawing Sheets



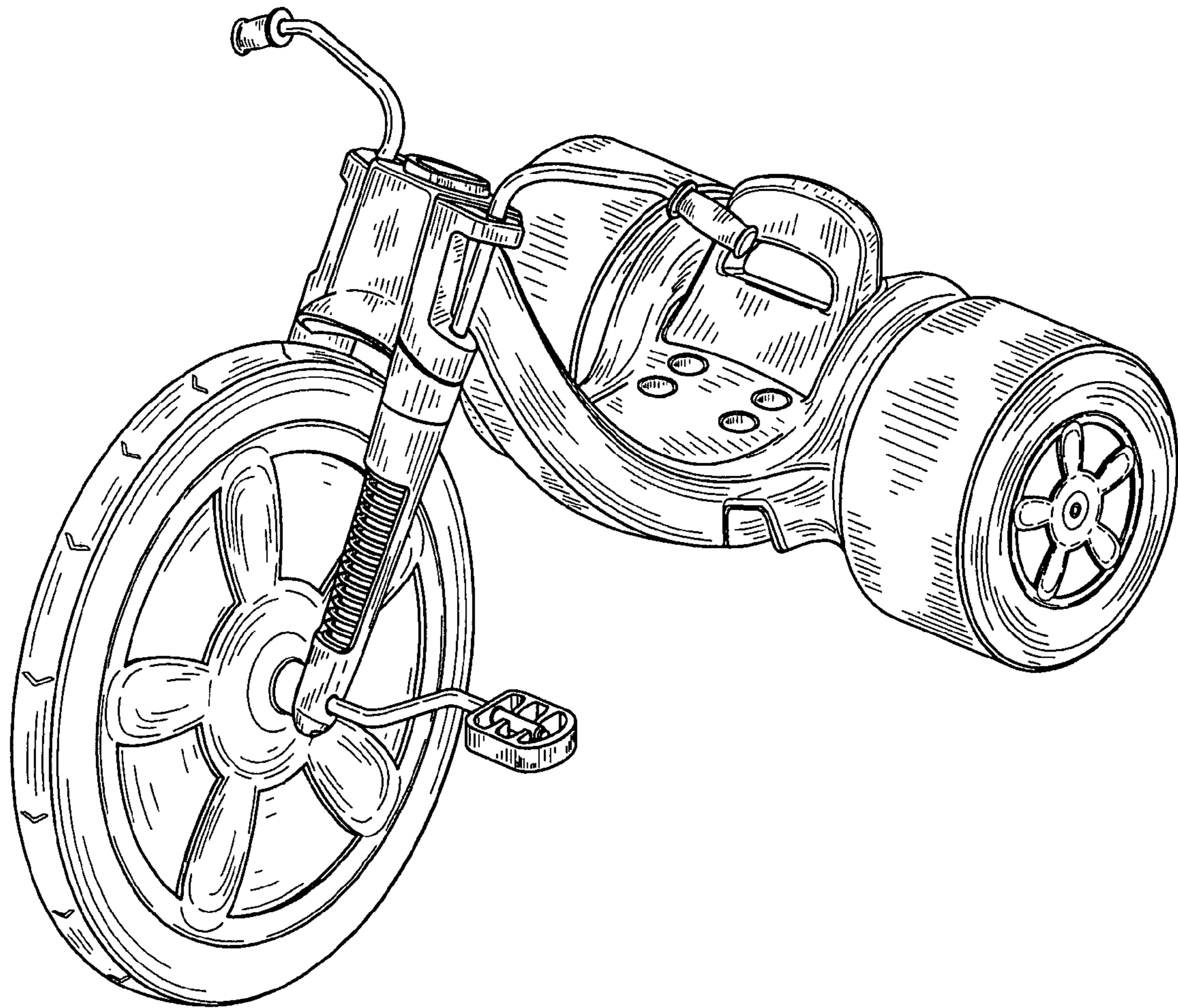


FIG. 1

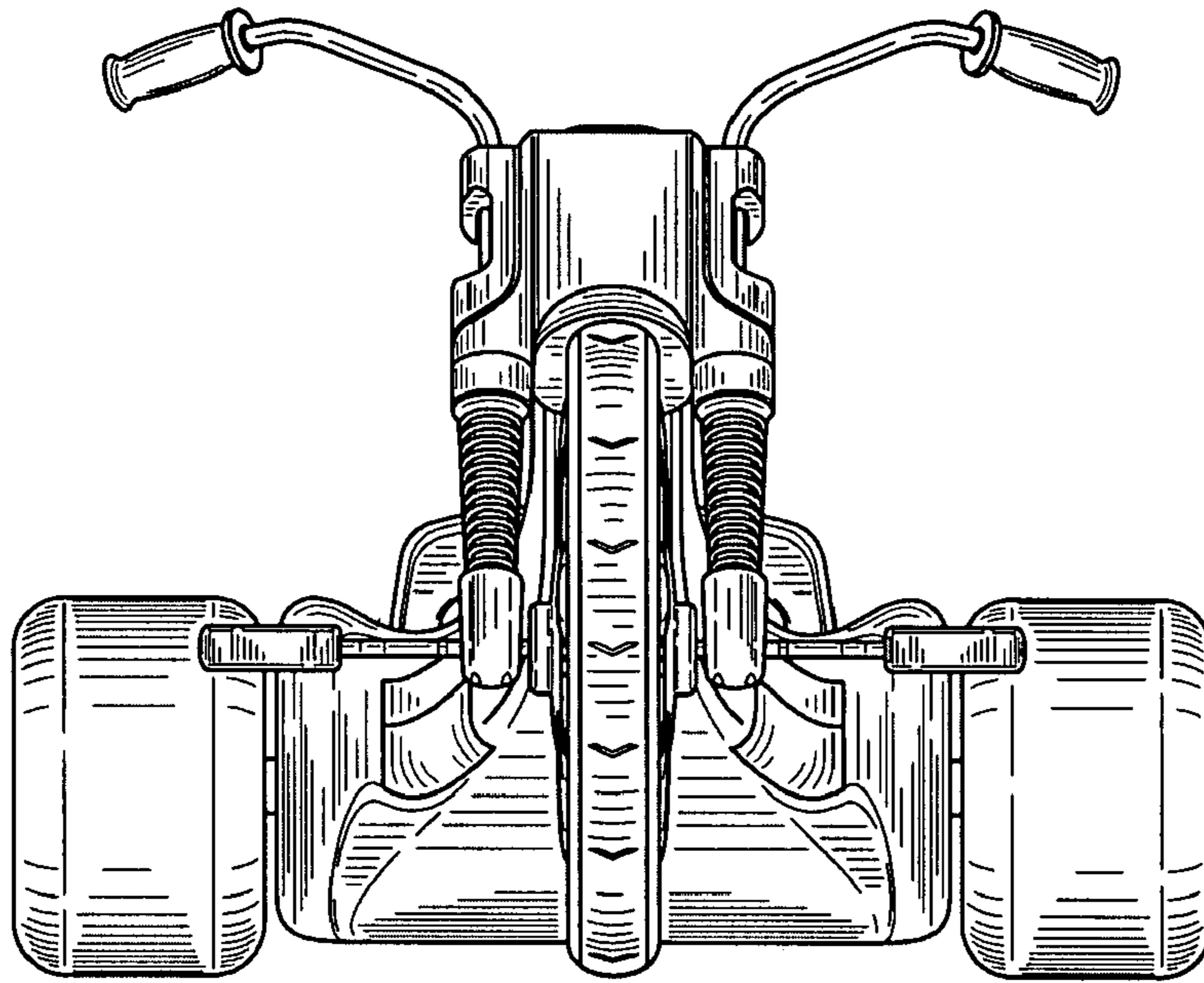


FIG. 2

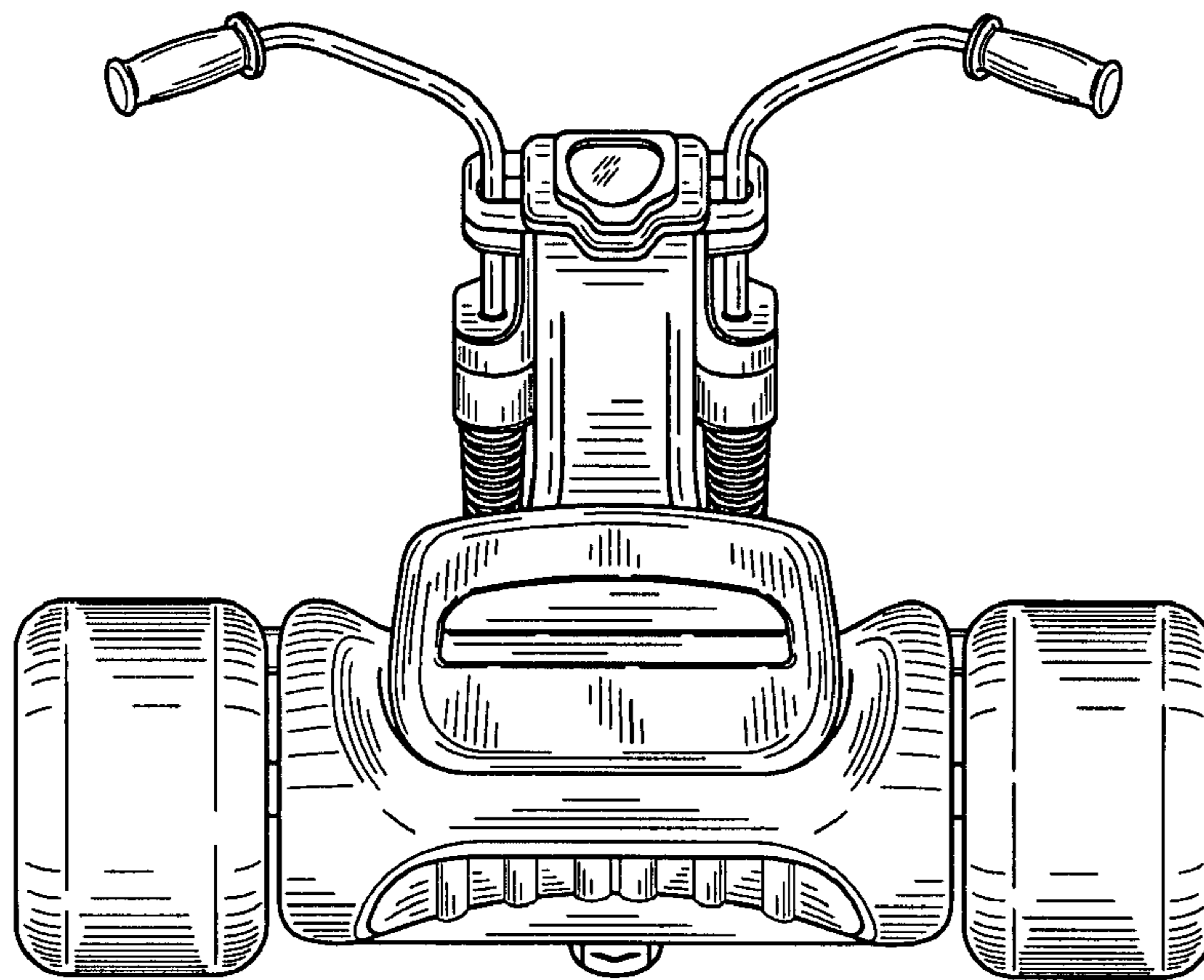


FIG. 3

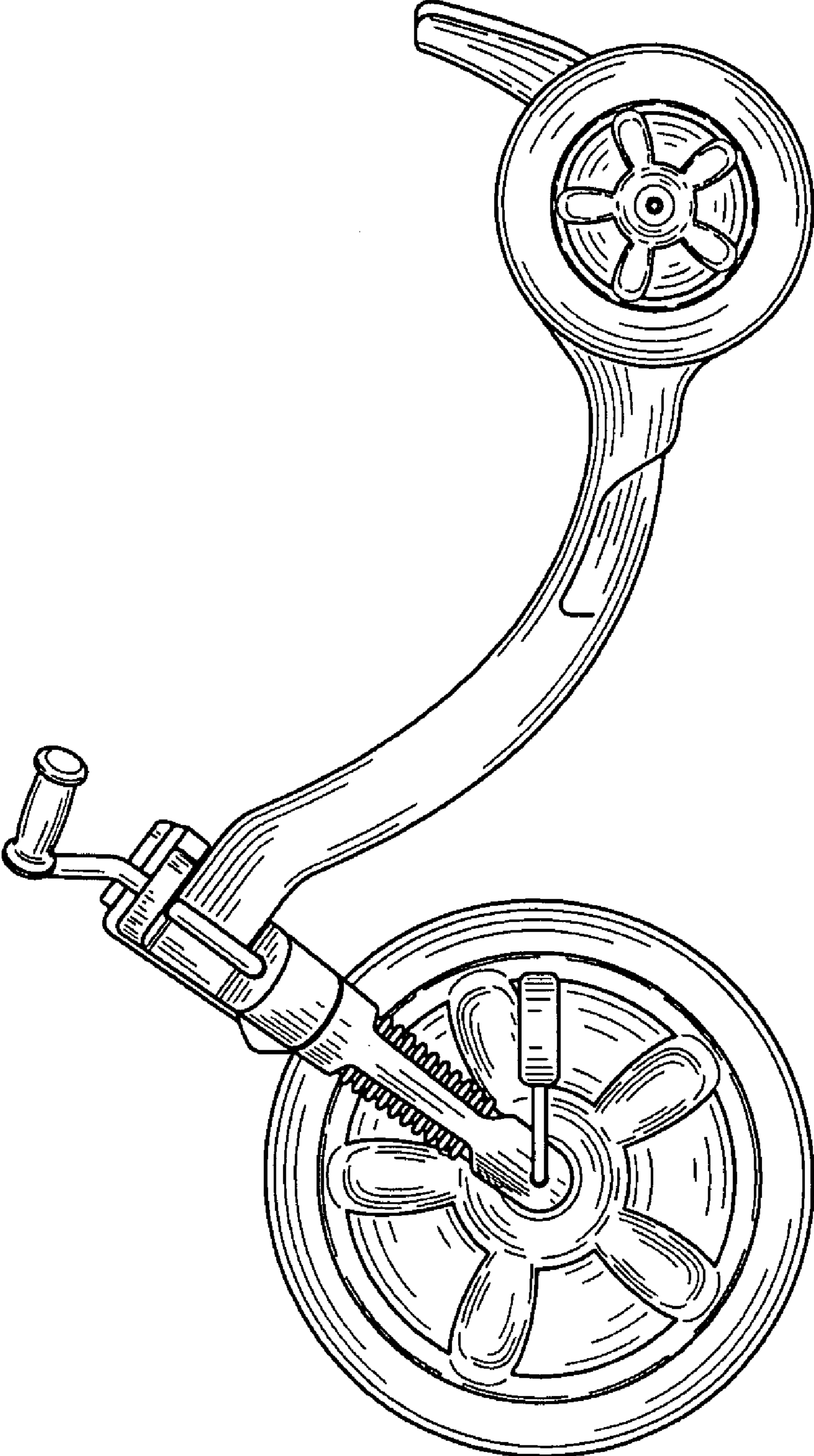


FIG. 4

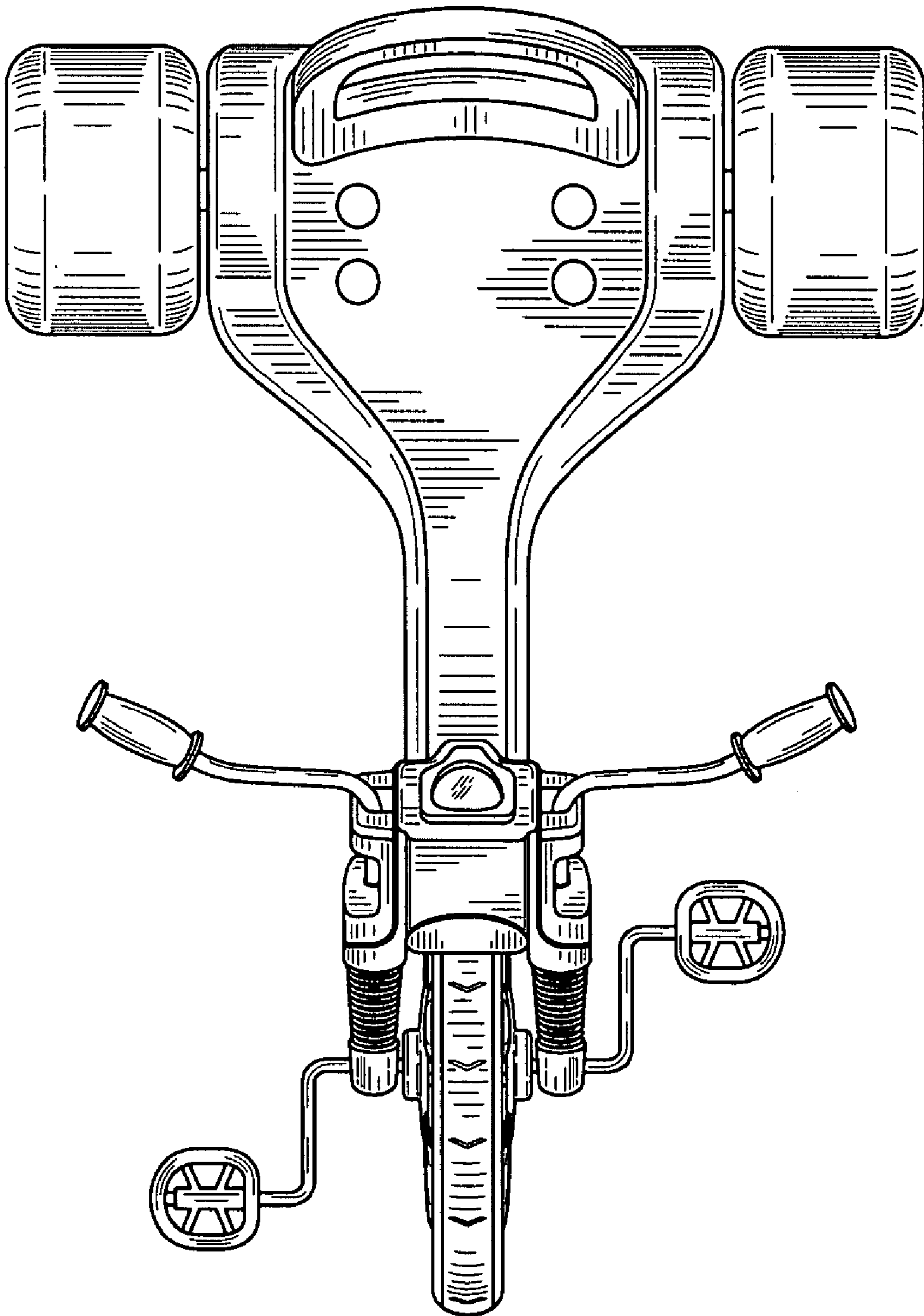


FIG. 5

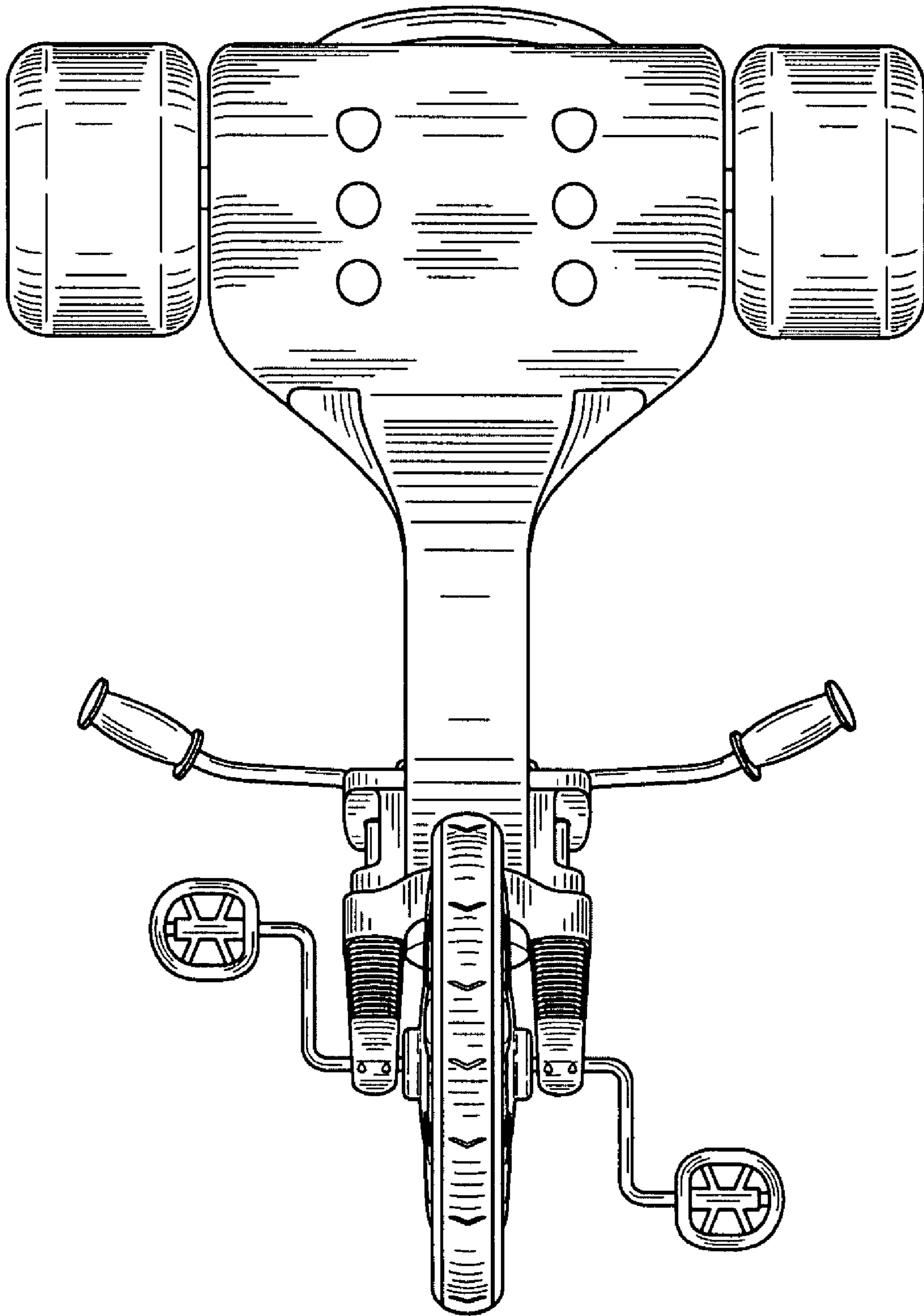


FIG. 6