



US00D564040S

(12) **United States Design Patent**
Kurth et al.

(10) **Patent No.:** **US D564,040 S**
(45) **Date of Patent:** **** Mar. 11, 2008**

(54) **CHILDREN'S RIDING TOY**

(75) Inventors: **Mark Kurth**, Chicago, IL (US); **Earle Cramer**, Chicago, IL (US); **Hector Rodriguez**, Aurora, IL (US); **Charles Hartlaub**, Rolling Meadows, IL (US)

(73) Assignee: **Radio Flyer, Inc.**, Chicago, IL (US)

(**) Term: **14 Years**

(21) Appl. No.: **29/285,303**

(22) Filed: **Mar. 27, 2007**

(51) **LOC (8) Cl.** **21-01**

(52) **U.S. Cl.** **D21/433**

(58) **Field of Classification Search** D21/419,
D21/423-427, 433, 435, 534; D12/129;
280/1.023, 47.11, 87.01, 87.021, 263, 288.1,
280/828, 647; 446/468, 471
See application file for complete search history.

(56) **References Cited**

U.S. PATENT DOCUMENTS

- 4,089,543 A * 5/1978 Osborne 280/647
- D282,087 S * 1/1986 Kassai D21/433
- D290,027 S * 5/1987 Mariol D21/435
- D305,011 S * 12/1989 Pison D12/129
- D311,934 S * 11/1990 Takahashi et al. D21/433
- D365,311 S * 12/1995 Mosekich et al. D12/129
- D365,312 S * 12/1995 Mosekich et al. D12/129
- D388,027 S * 12/1997 Polak et al. D12/129
- D388,132 S * 12/1997 Maxwell et al. D21/424

- D388,367 S * 12/1997 Polak et al. D12/129
- D432,185 S * 10/2000 Hulst D21/433
- D446,827 S * 8/2001 You et al. D21/424
- D458,314 S * 6/2002 Allemeier D21/433
- D524,876 S 7/2006 Augustin
- D533,603 S * 12/2006 Chung D21/433

* cited by examiner

Primary Examiner—Holly H. Baynham

Assistant Examiner—Cynthia M. Chin

(74) *Attorney, Agent, or Firm*—R. Blake Johnston; DLA Piper US LLP

(57) **CLAIM**

The ornamental design for a children's riding toy, as shown and described.

DESCRIPTION

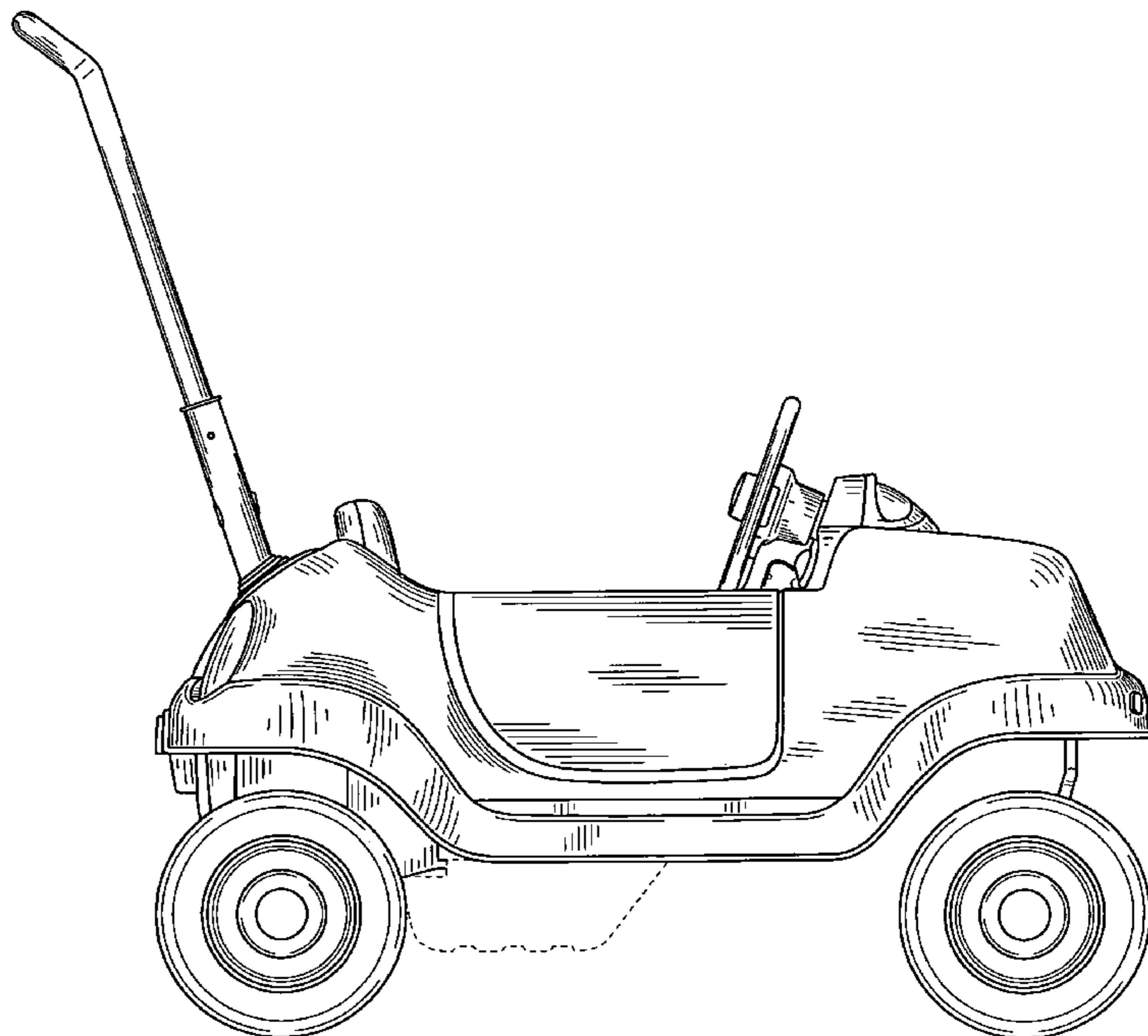
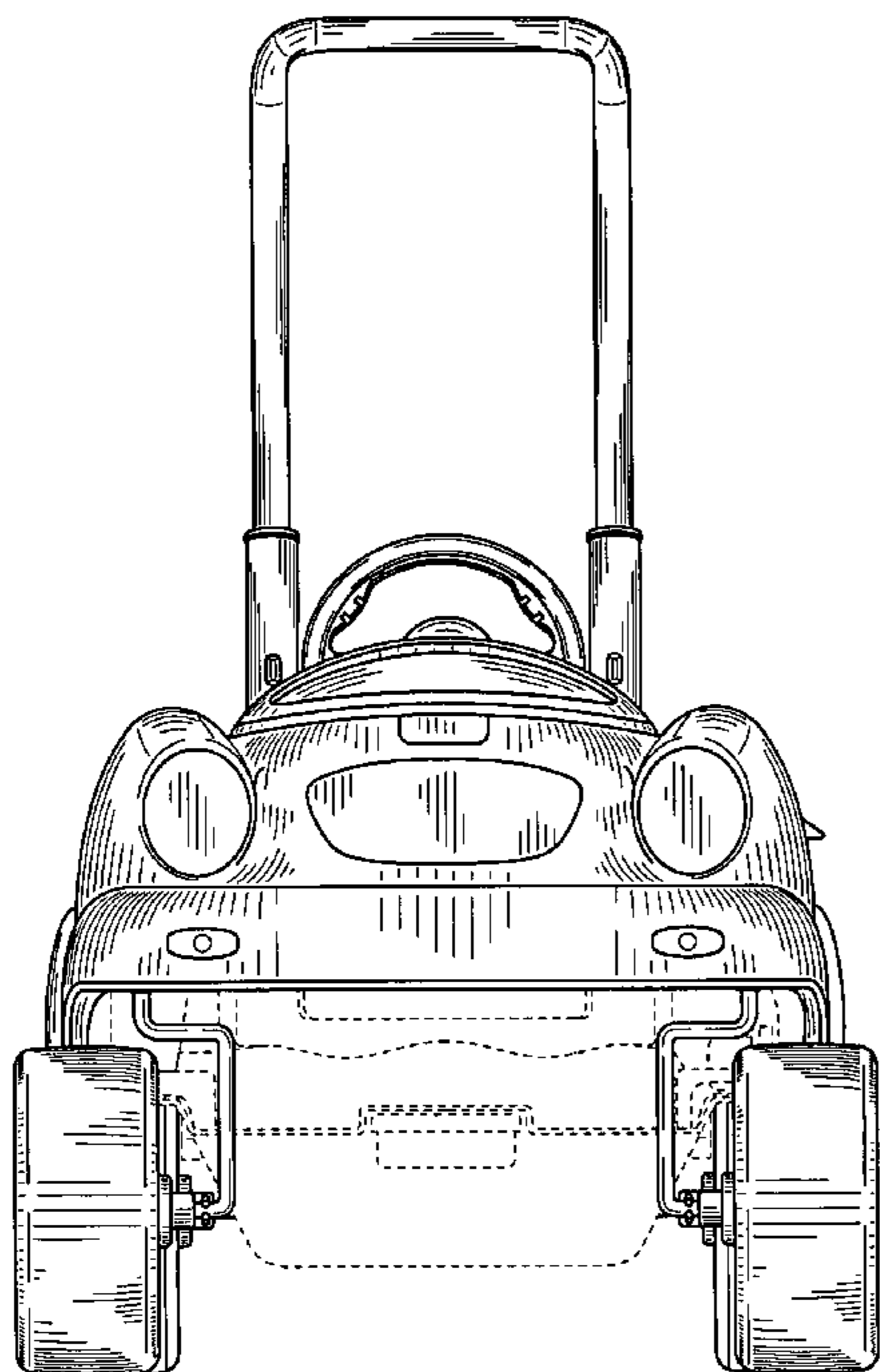
FIG. 1 is a front elevational view of the children's riding toy; FIG. 2 is a rear elevational view of the children's riding toy; FIG. 3 is a right side elevational view of the children's riding toy;

FIG. 4 is a left side elevational view of the children's riding toy;

FIG. 5 is a top plan view of the children's riding toy; and, FIG. 6 is a bottom plan view of the children's riding toy.

The broken lines are for illustrative purposes only and form no part of the claimed design.

1 Claim, 6 Drawing Sheets



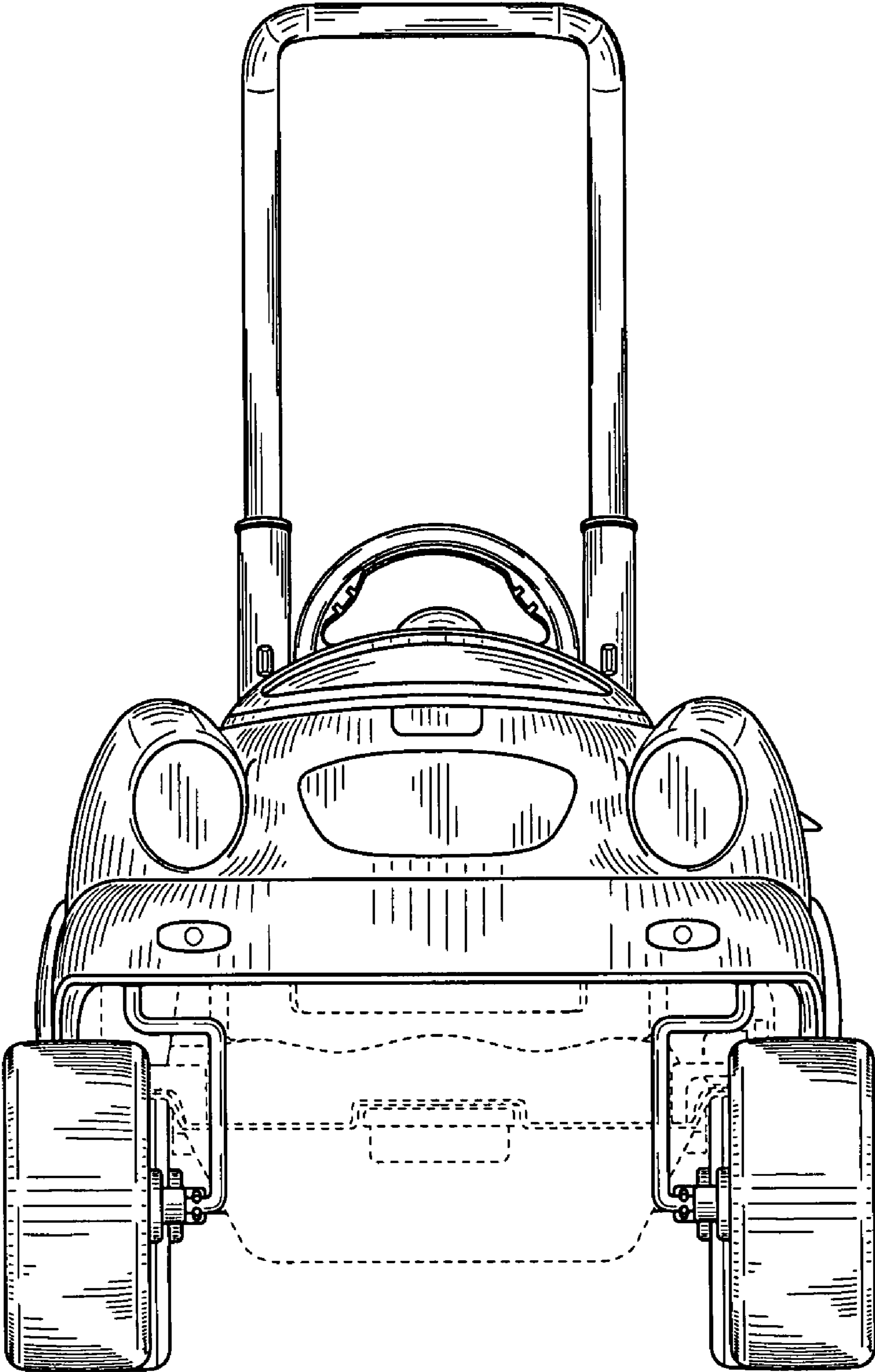


FIG. 1

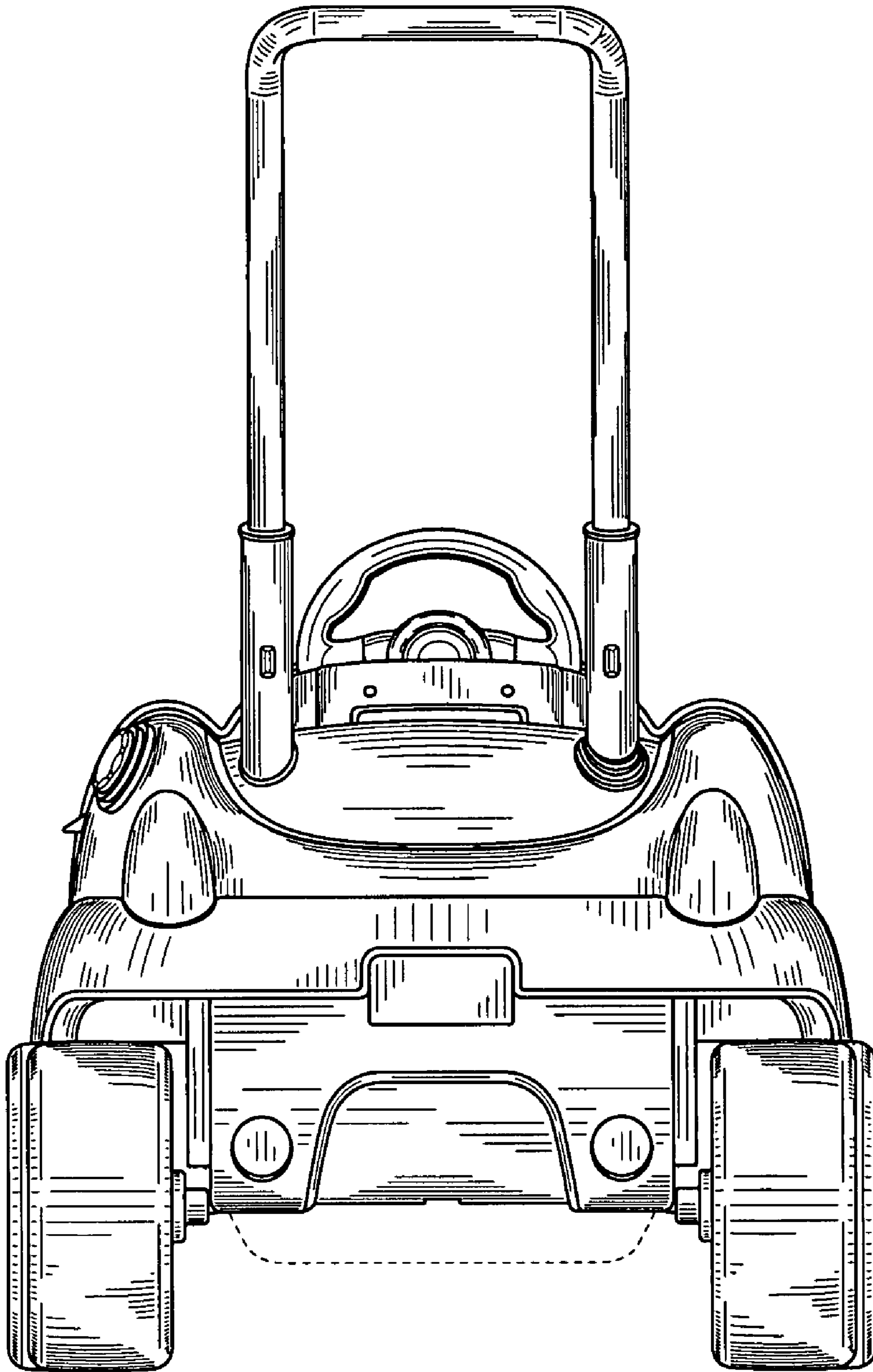


FIG. 2

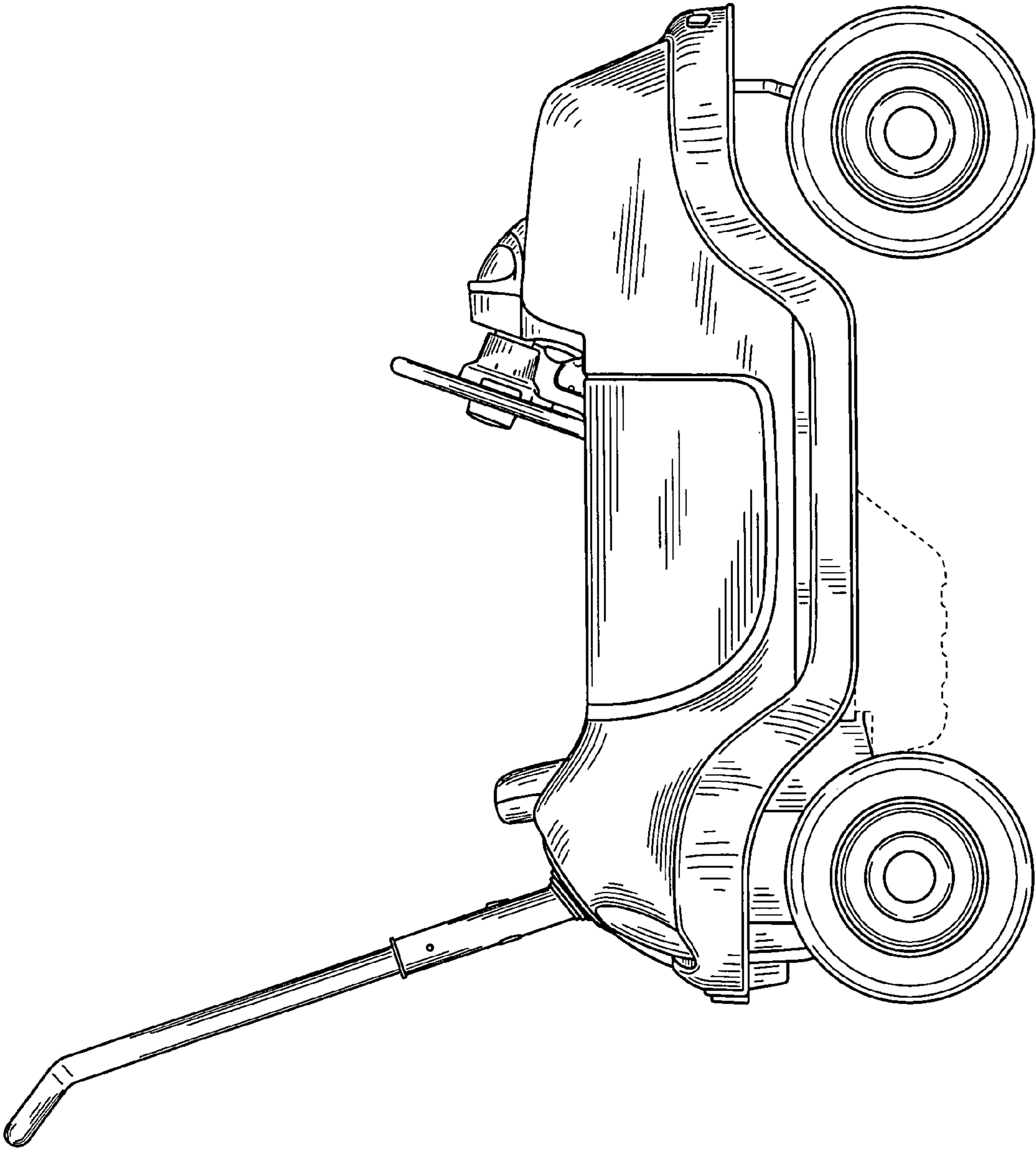


FIG. 3

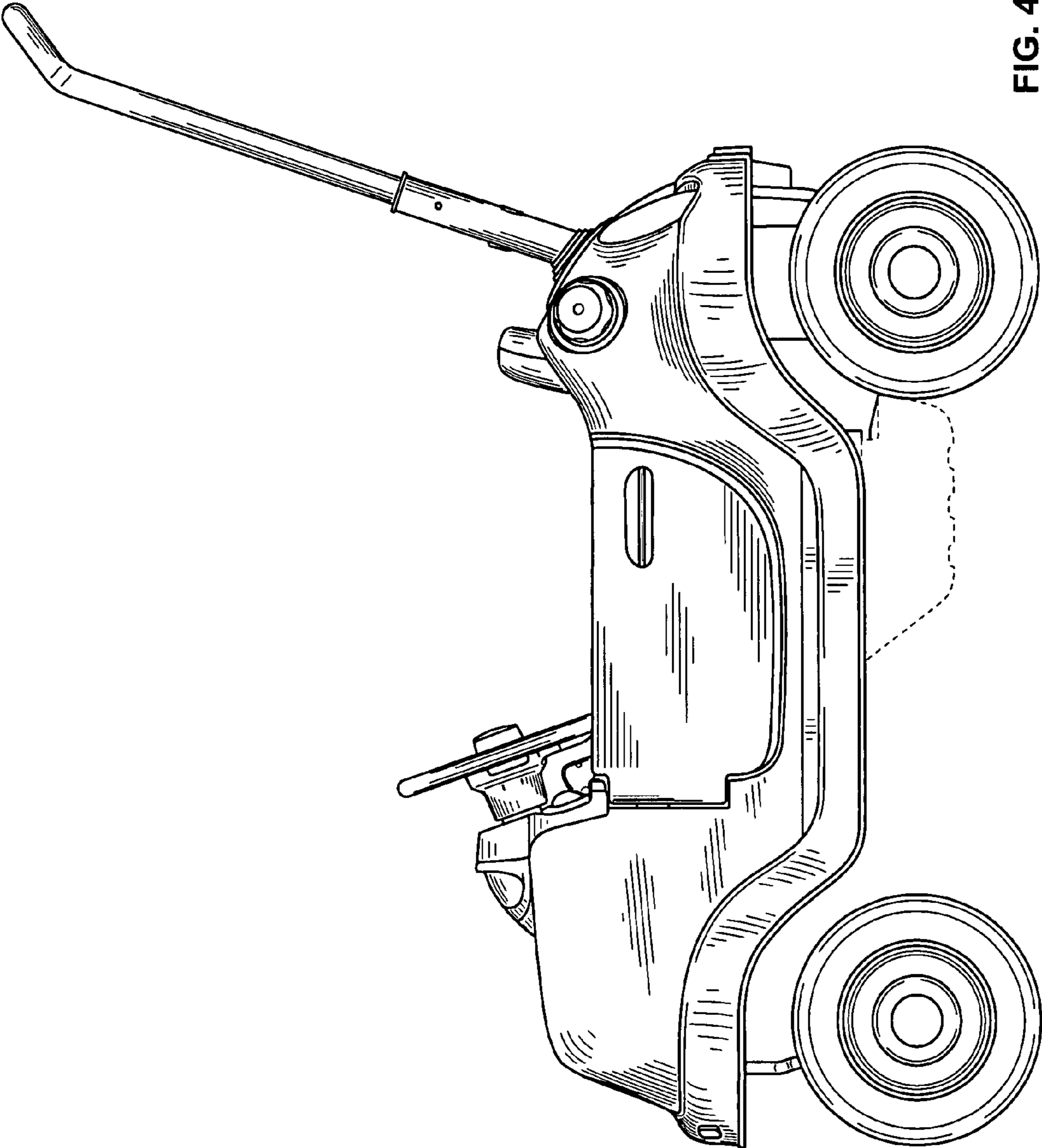


FIG. 4

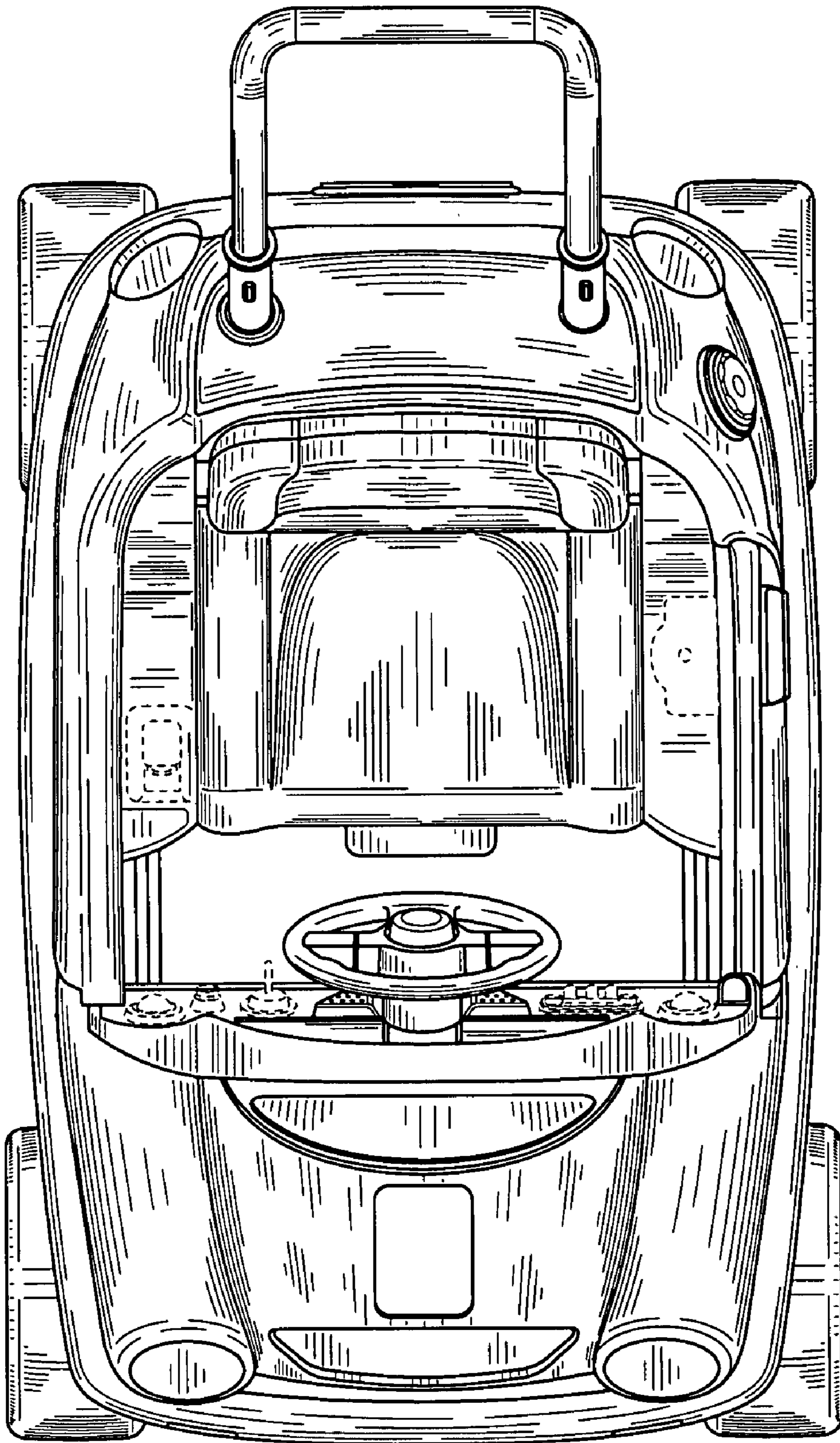


FIG. 5

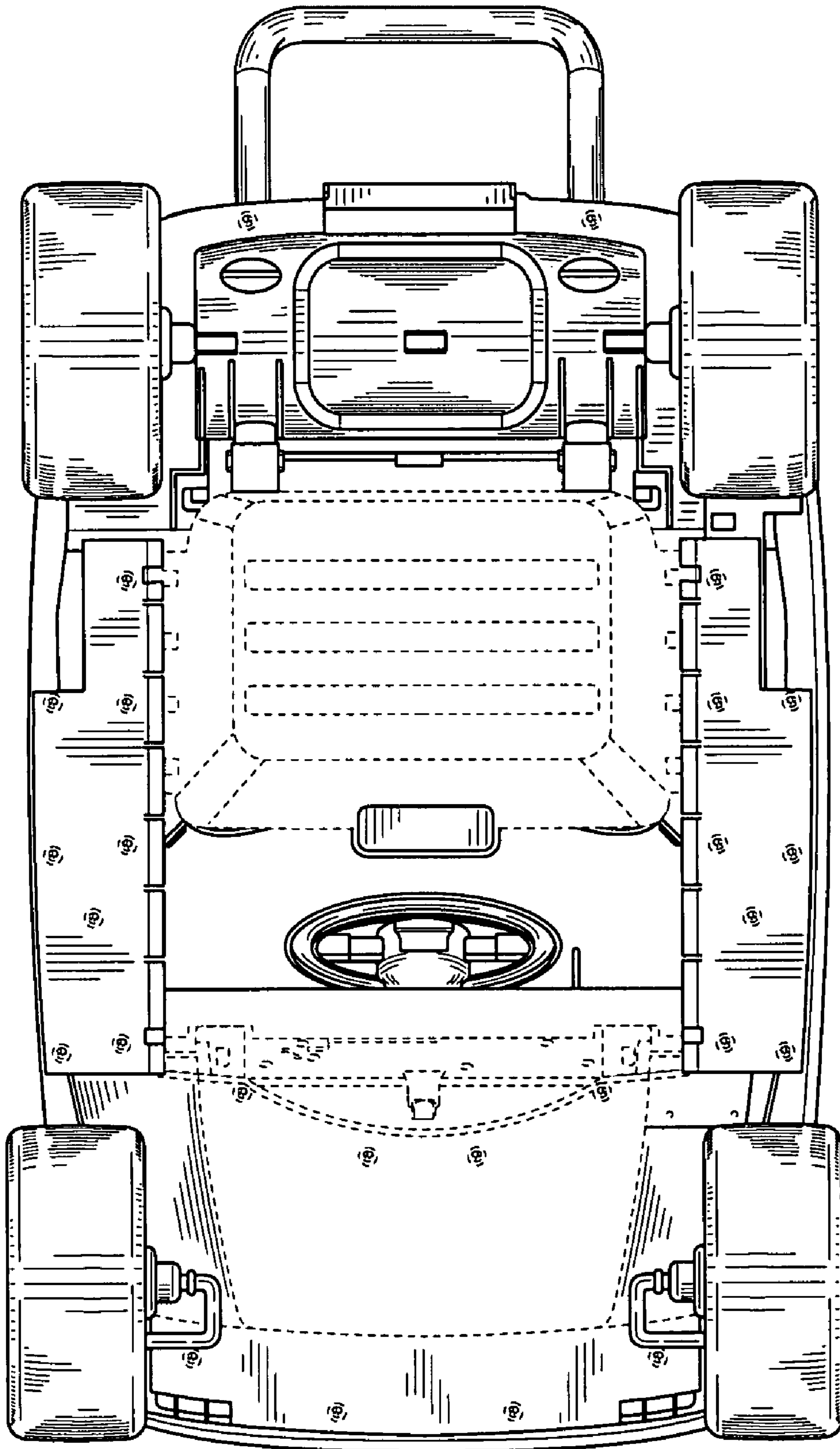


FIG. 6