



US00D564031S

(12) **United States Design Patent**
Perella et al.

(10) **Patent No.:** **US D564,031 S**
(45) **Date of Patent:** **** Mar. 11, 2008**

(54) **CONTAINER**

DESCRIPTION

(75) Inventors: **Daniel Perella**, Hudson, OH (US);
Anthony Decarlo, Kirtland, OH (US);
Vincent Thomson, Avon Lake, OH
(US); **Jeffrey Briehl**, Strongsville, OH
(US)

(73) Assignee: **Ideastream Consumer Products, LLC**,
Parma, OH (US)

(**) Term: **14 Years**

(21) Appl. No.: **29/248,939**

(22) Filed: **Sep. 12, 2006**

(51) **LOC (8) Cl.** **19-02**
(52) **U.S. Cl.** **D19/90; D3/294**
(58) **Field of Classification Search** **D3/206,**
D3/272-273, 283, 294; D6/432, 440; D19/86,
D19/88, 90, 91; 206/425; 229/198, 198.1,
229/198.3

See application file for complete search history.

(56) **References Cited**

U.S. PATENT DOCUMENTS

D35,418 S * 12/1901 Witt et al. D3/299
D86,286 S * 2/1932 Struck et al. D12/413
D194,525 S * 2/1963 D'Arcy D3/284
D266,129 S * 9/1982 Lidstrom D6/469
D266,544 S * 10/1982 Crutchfield D3/281

(Continued)

Primary Examiner—Philip S. Hyder
Assistant Examiner—RoseLynne (Ulm) Cody
(74) *Attorney, Agent, or Firm*—Pillsbury Winthrop Shaw
Pittman LLP

(57) **CLAIM**

The ornamental design for a container, as shown and
described.

FIG. 1 is a perspective view of a container, such as for
storing magazines or other periodicals, embodying one
aspect of our new design;

FIG. 2 is a front elevational view of the container of FIG. 1;

FIG. 3 is a rear elevational view of the container of FIG. 1;

FIG. 4 is a right side profile view of the container of FIG. 1;

FIG. 5 is a left side profile view of the container of FIG. 1;

FIG. 6 is a top plan view of the container of FIG. 1;

FIG. 7 is a bottom plan view of the container of FIG. 1;

FIG. 8 is a perspective view of a container, such as for
storing magazines or other periodicals, embodying another
aspect of our new design;

FIG. 9 is a front elevational view of the container of FIG. 8;

FIG. 10 is a rear elevational view of the container of FIG. 8;

FIG. 11 is a right side profile view of the container of FIG.
8;

FIG. 12 is a left side profile view of the container of FIG. 8;

FIG. 13 is a top plan view of the container of FIG. 8;

FIG. 14 is a bottom plan view of the container of FIG. 8;

FIG. 15 is a perspective view of a container, such as for
storing magazines or other periodicals, embodying another
aspect of our new design;

FIG. 16 is a front elevational view of the container of FIG.
15;

FIG. 17 is a rear elevational view of the container of FIG. 15;

FIG. 18 is a right side profile view of the container of FIG.
15;

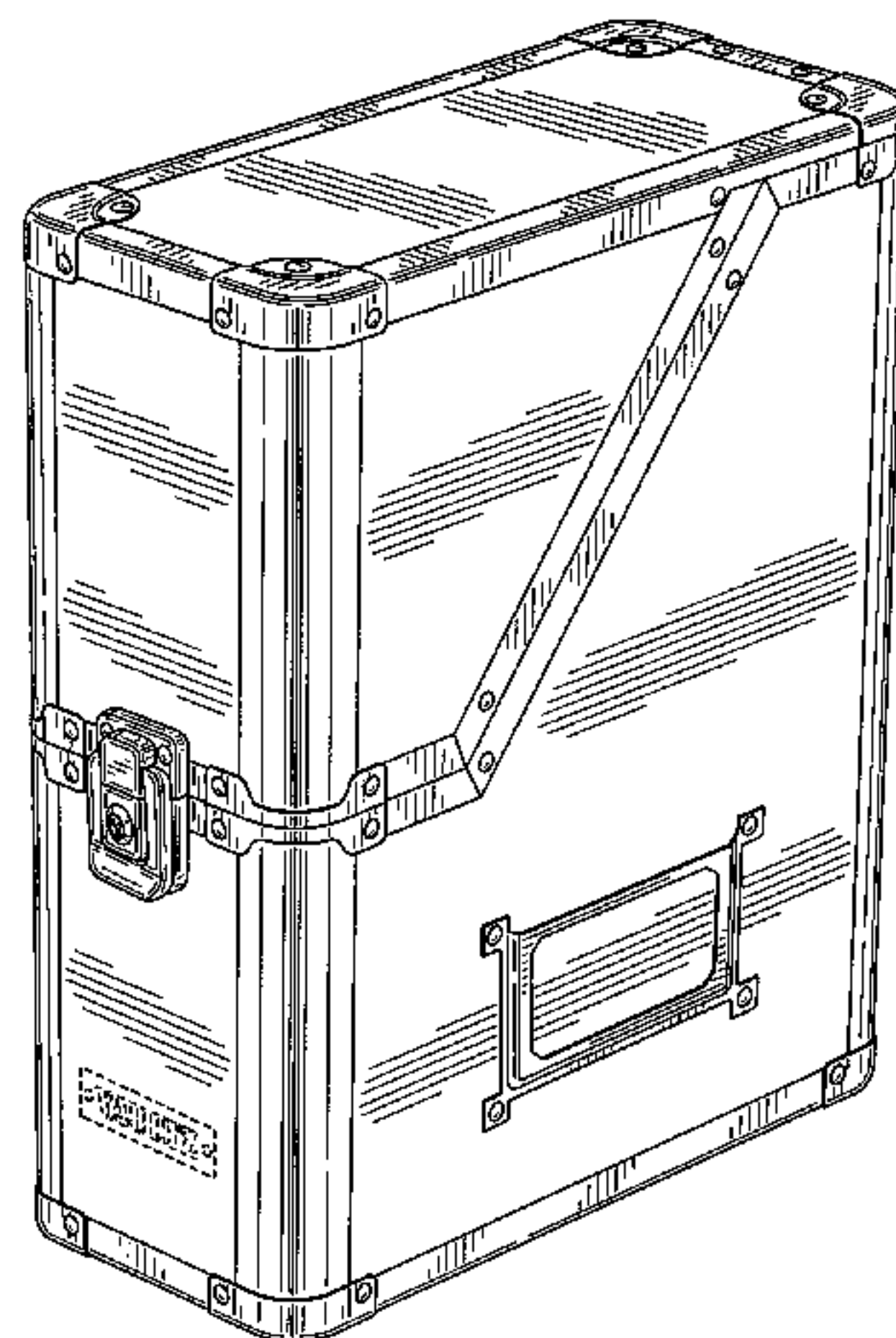
FIG. 19 is a left side profile view of the container of FIG. 15;

FIG. 20 is a top plan view of the container of FIG. 15; and,

FIG. 21 is a bottom plan view of the container of FIG. 15.

The subject matter shown in broken lines form no part of the
claimed design.

1 Claim, 15 Drawing Sheets



US D564,031 S

Page 2

U.S. PATENT DOCUMENTS

D267,836 S *	2/1983	Benichou	D3/294	D390,606 S *	2/1998	Cheris et al.	D19/90
D269,480 S *	6/1983	Peterson et al.	D3/204	D400,926 S *	11/1998	Stravitz	D19/90
D292,957 S *	12/1987	Brussing	D6/475	D406,607 S *	3/1999	Karten	D19/99
4,759,443 A *	7/1988	Egly	206/425	D420,051 S *	2/2000	Conley et al.	D19/90
4,895,267 A *	1/1990	Karlsson	220/4.28	D455,459 S *	4/2002	Cheris et al.	D19/90
4,901,883 A *	2/1990	Hoffman	220/830	D500,802 S *	1/2005	DeCarlo et al.	D19/90
D315,638 S *	3/1991	Pennell	D6/635	D502,966 S *	3/2005	çakir et al.	D19/90
D328,313 S *	7/1992	Evenson et al.	D19/75	D506,067 S *	6/2005	Moon et al.	D3/304
D329,541 S *	9/1992	Giblet	D3/272	D517,316 S *	3/2006	Tagliati et al.	D3/273
5,351,826 A *	10/1994	Chen	206/425	D529,287 S *	10/2006	Perella et al.	D3/294
5,372,256 A *	12/1994	Chen	206/425				

* cited by examiner

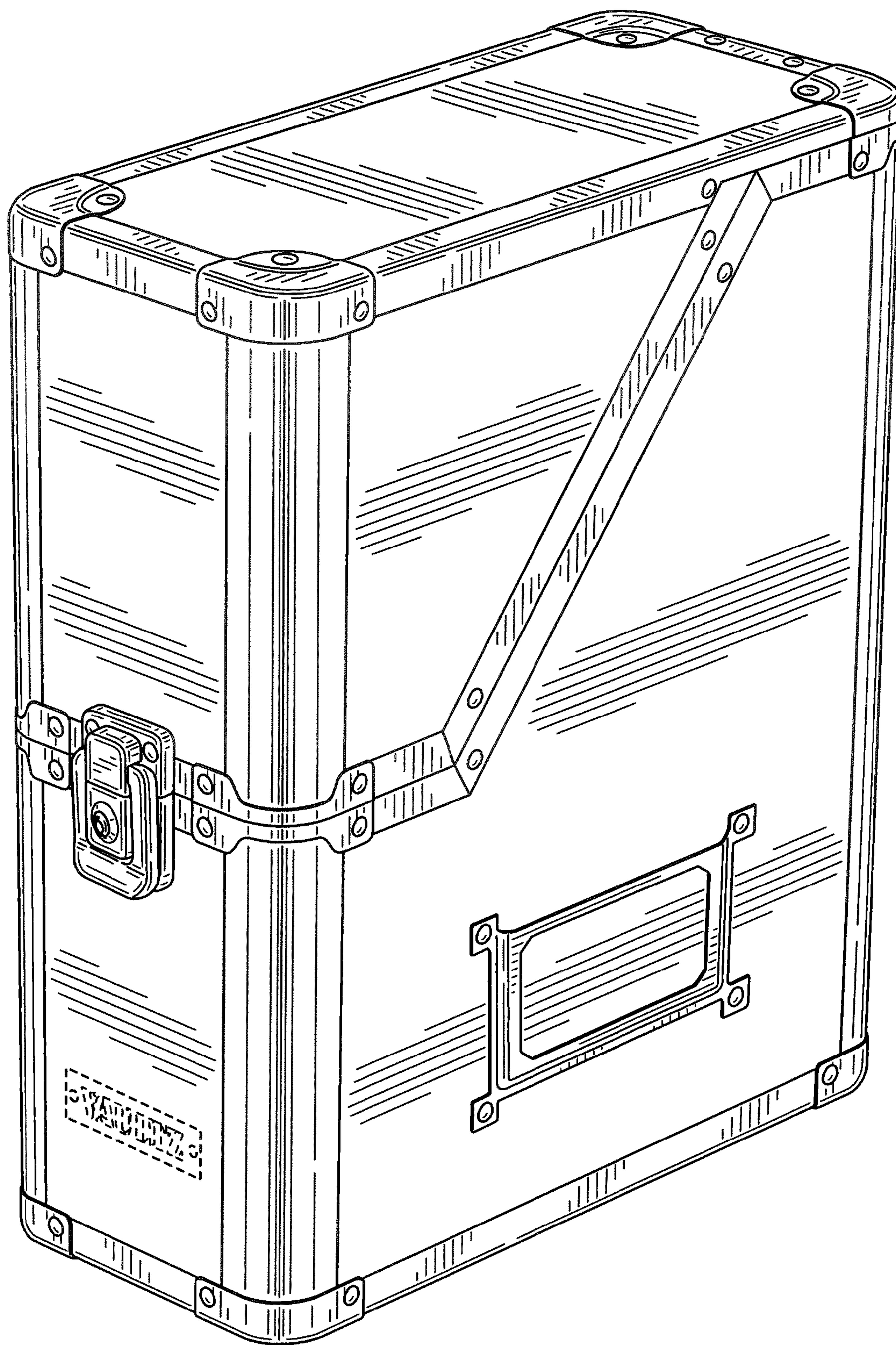


FIG. 1

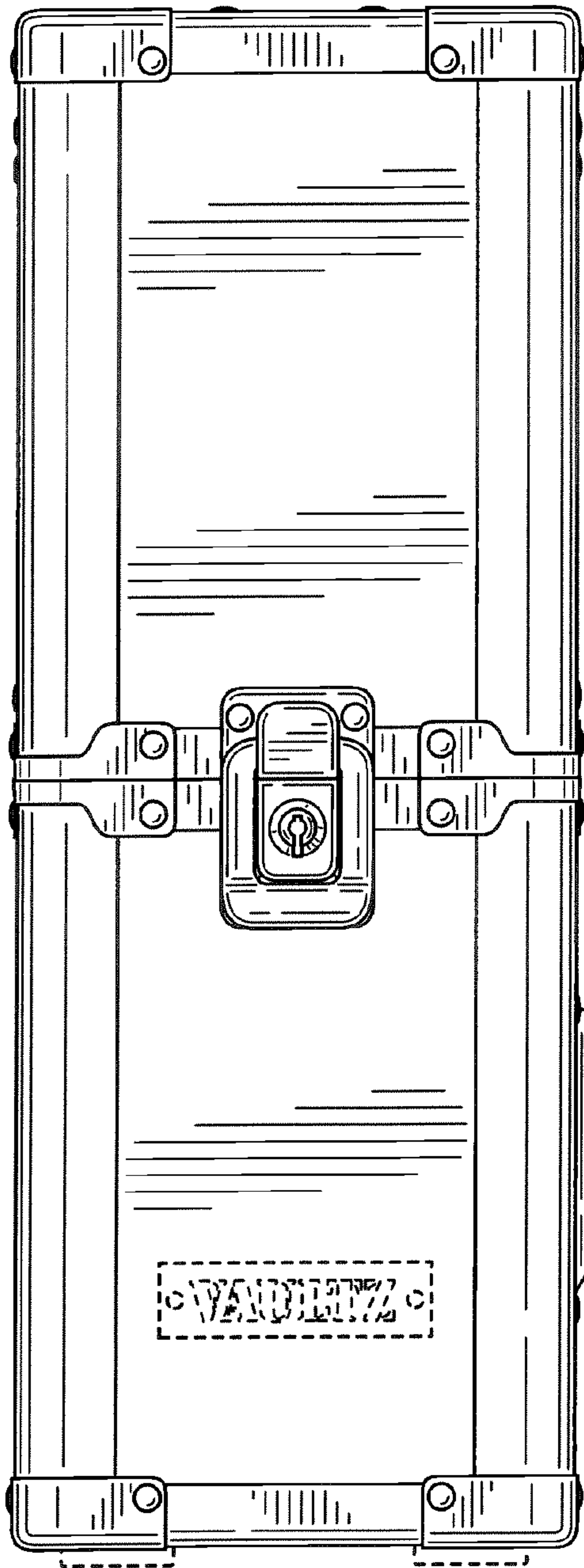


FIG. 2

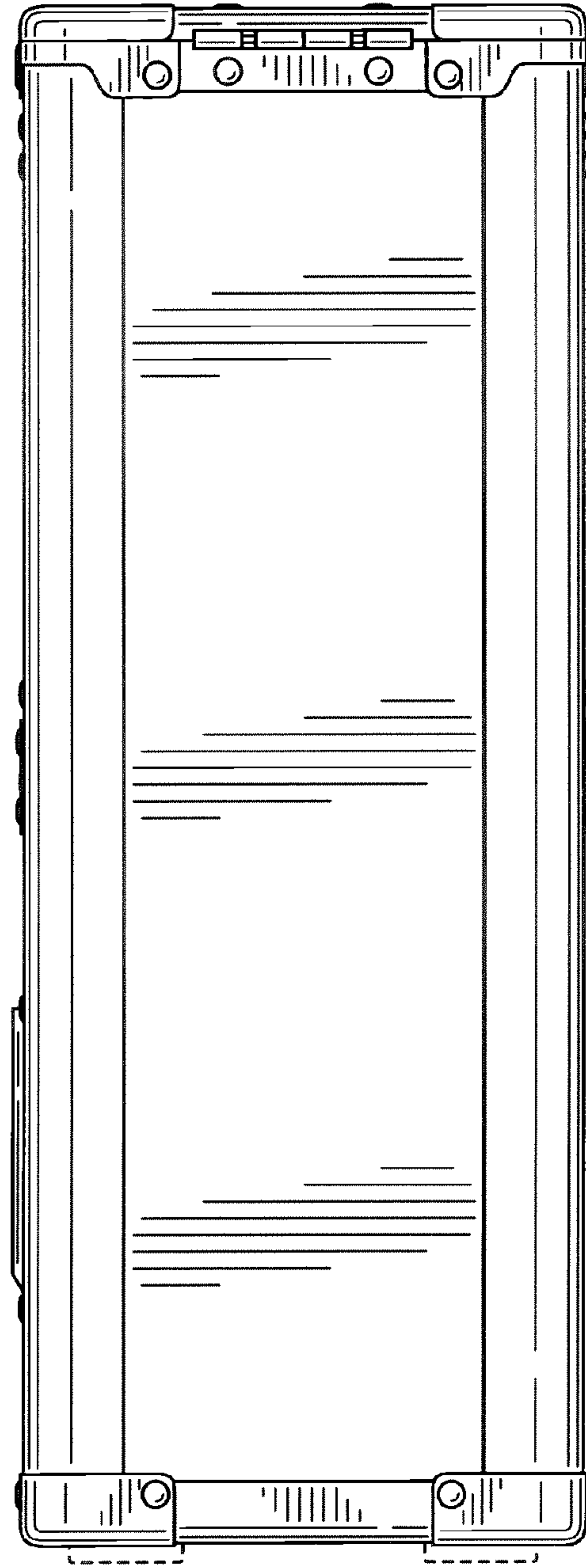


FIG. 3

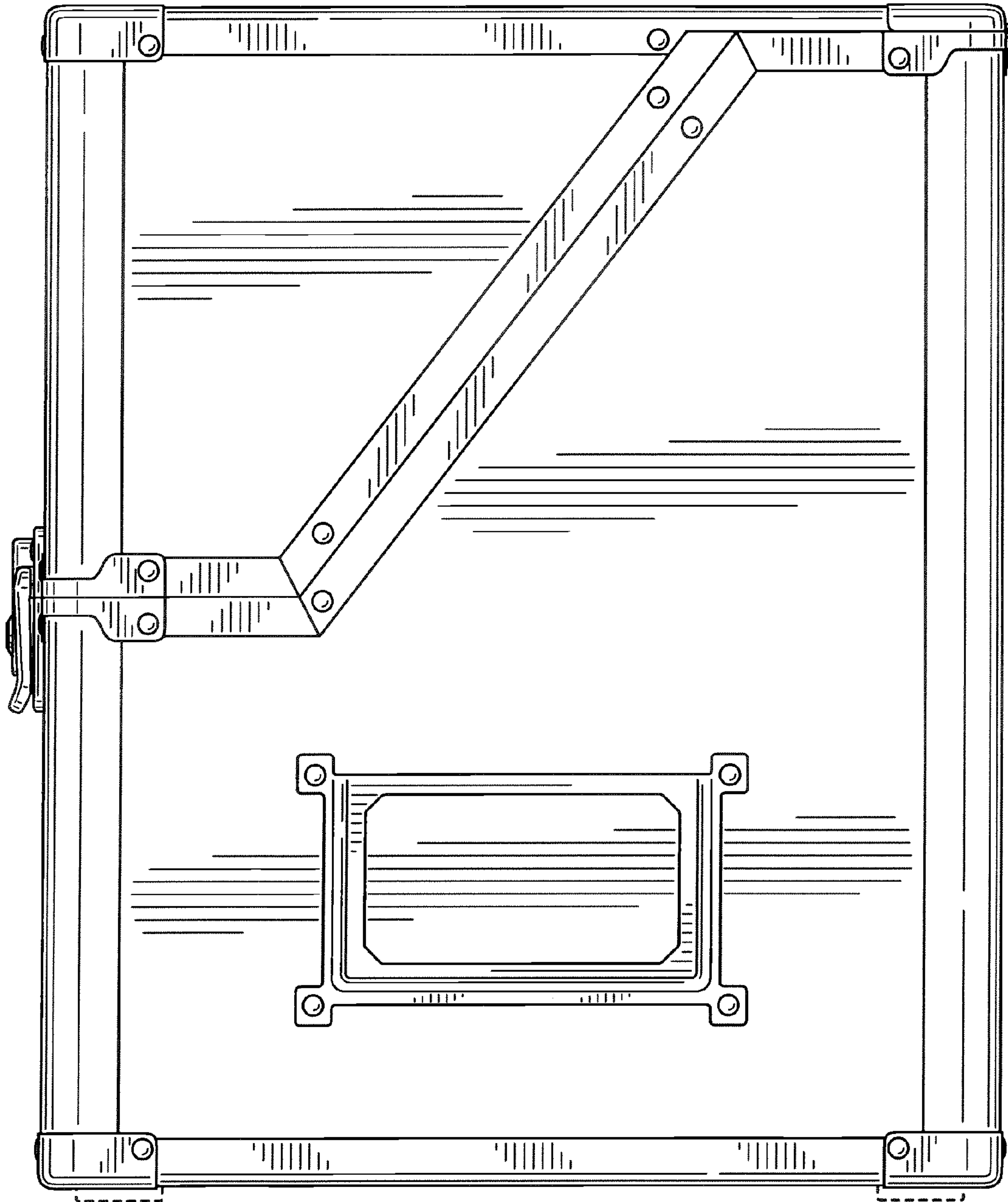


FIG. 4

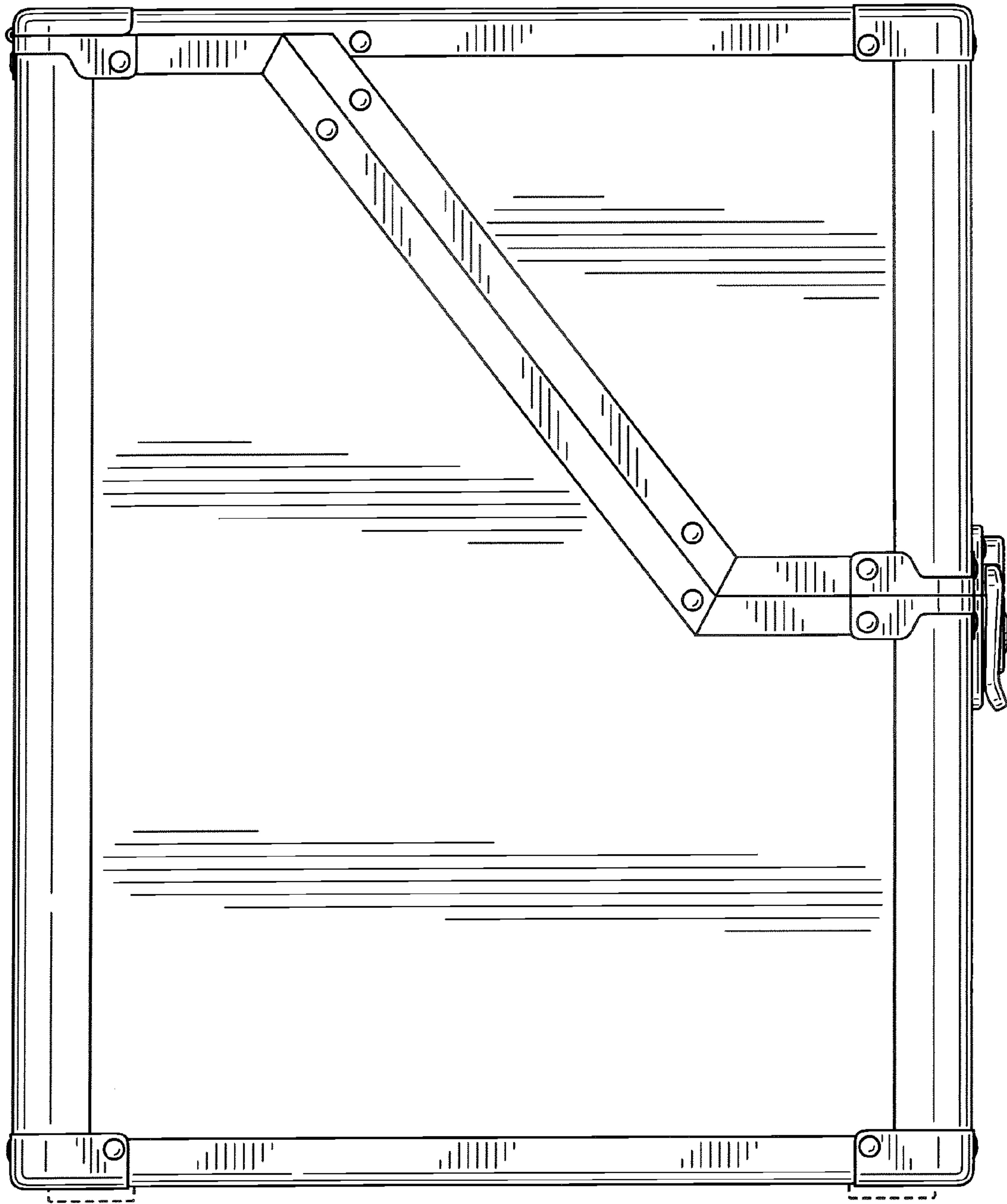


FIG. 5

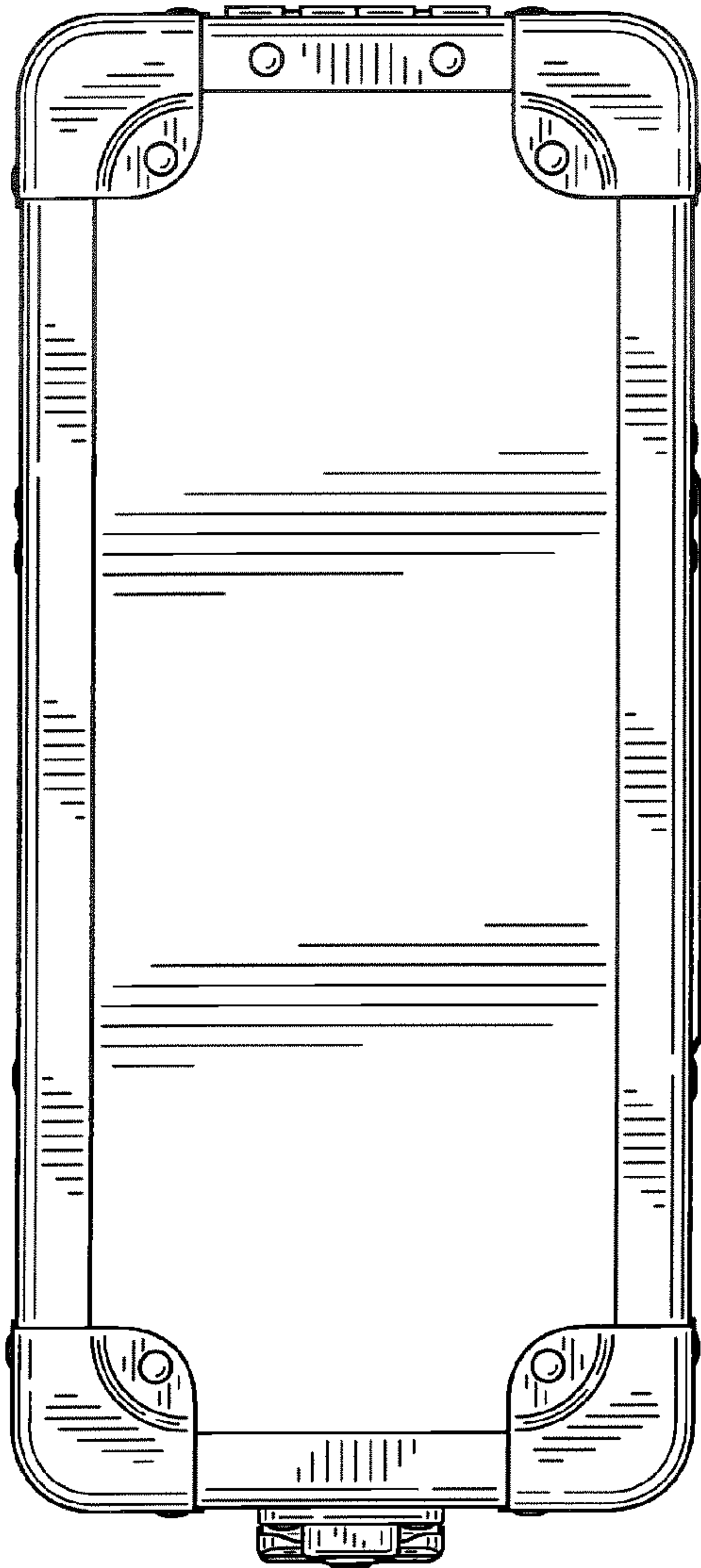


FIG. 6

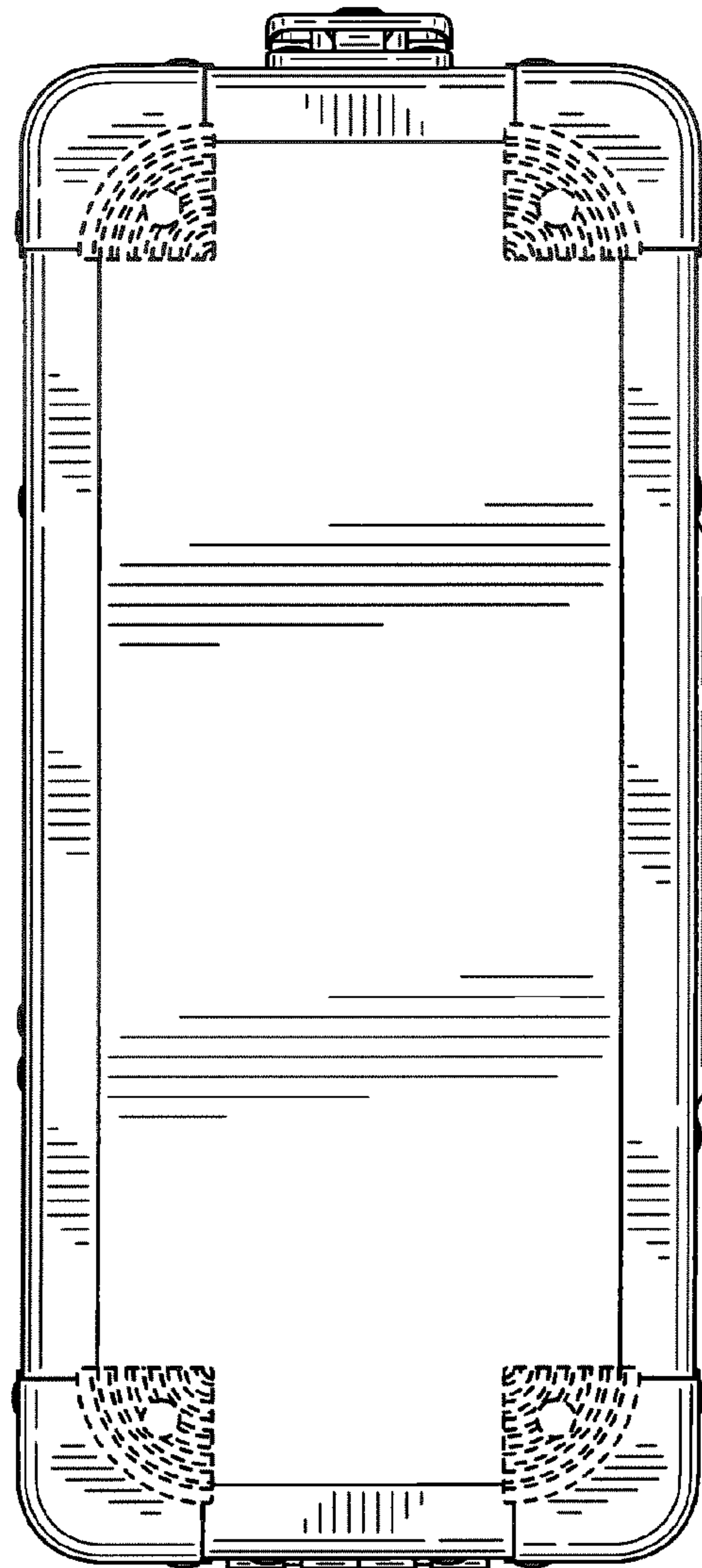


FIG. 7

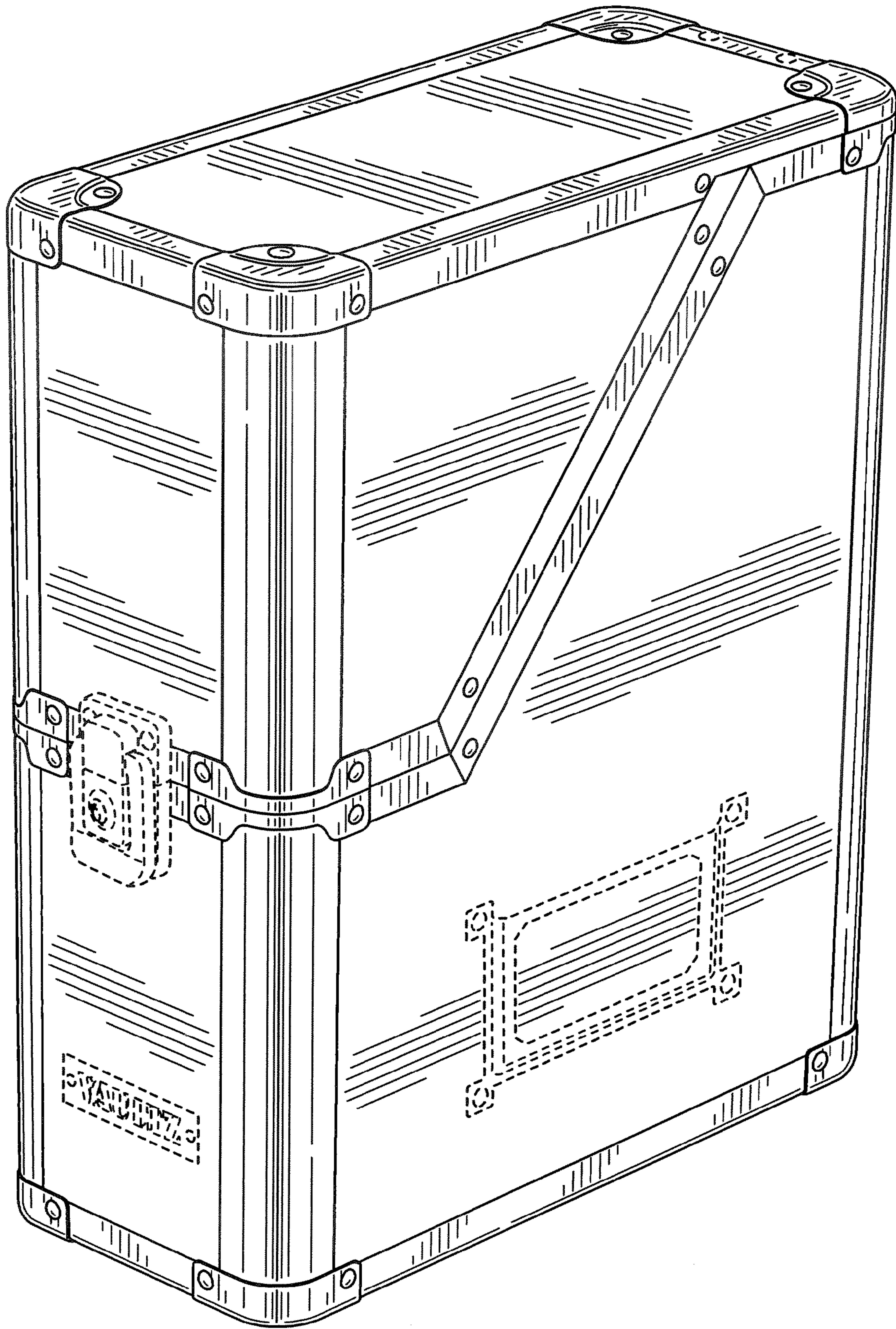


FIG. 8

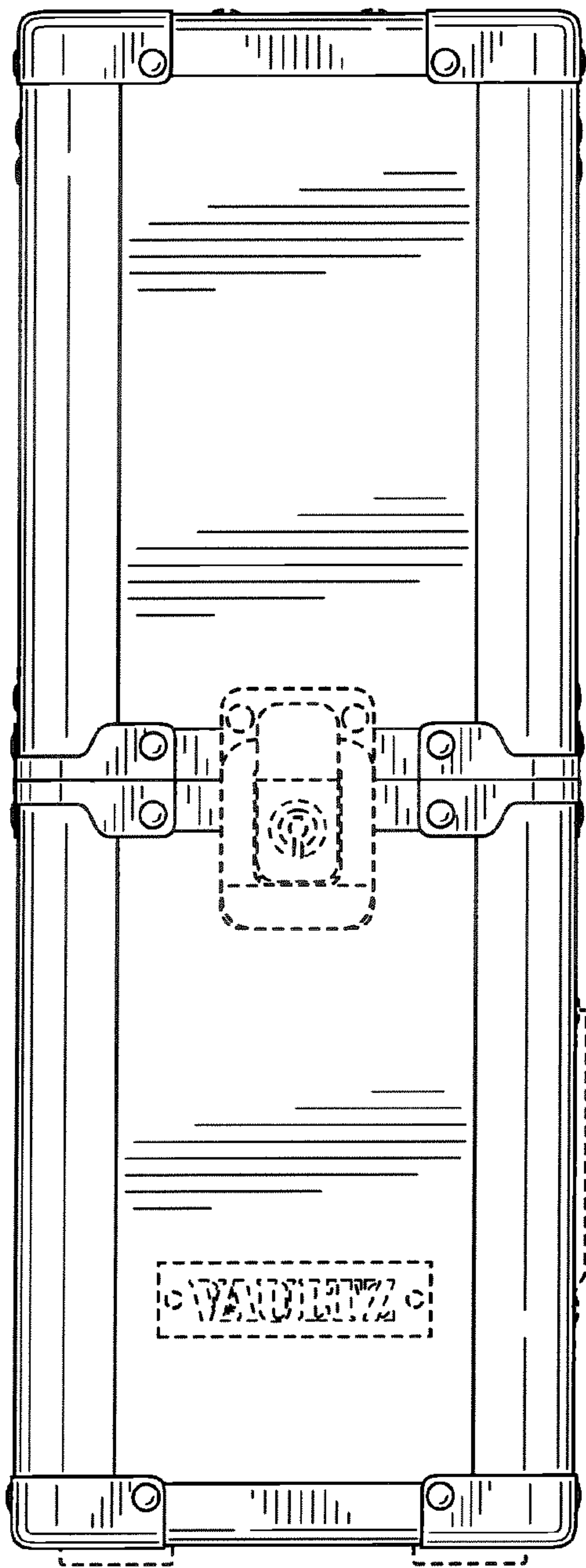


FIG. 9

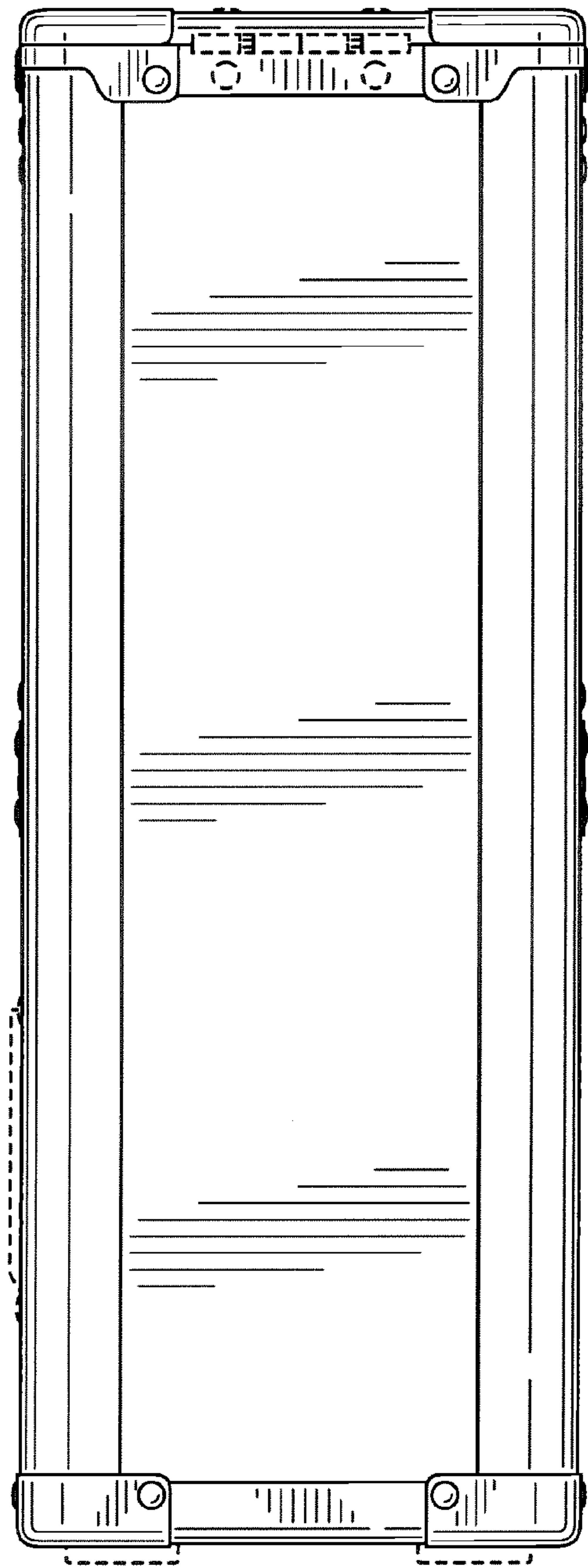


FIG. 10

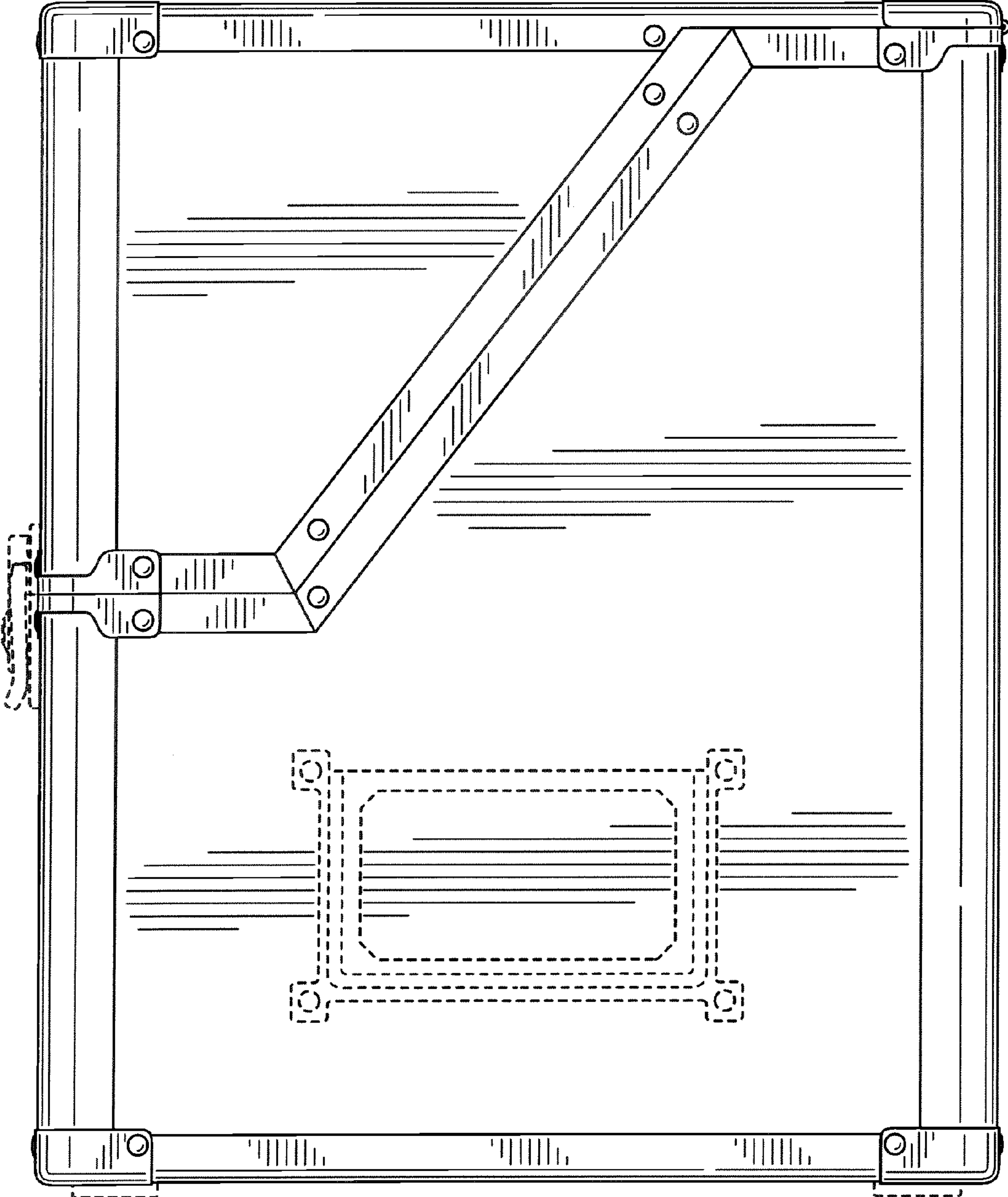


FIG. 11

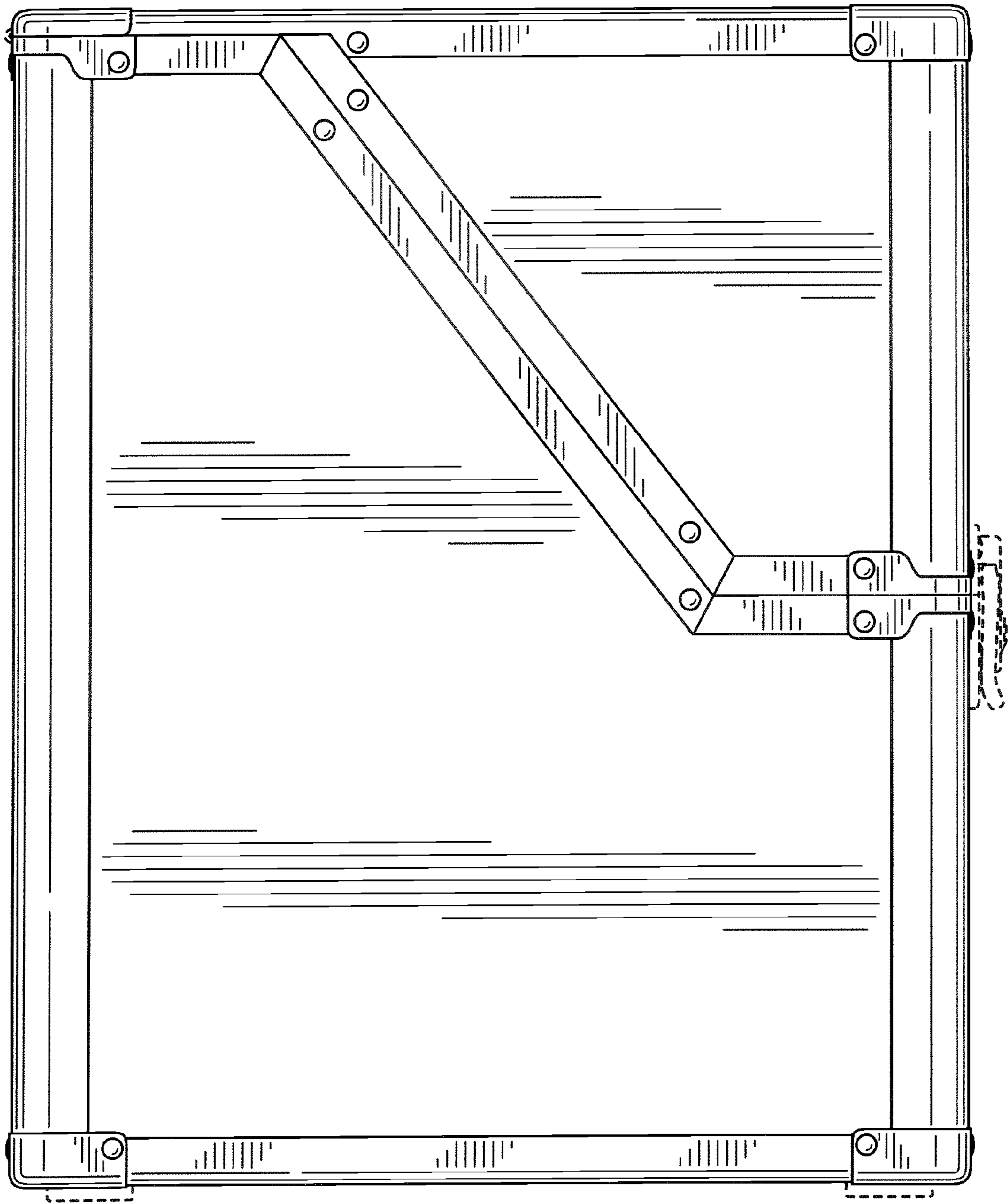


FIG. 12

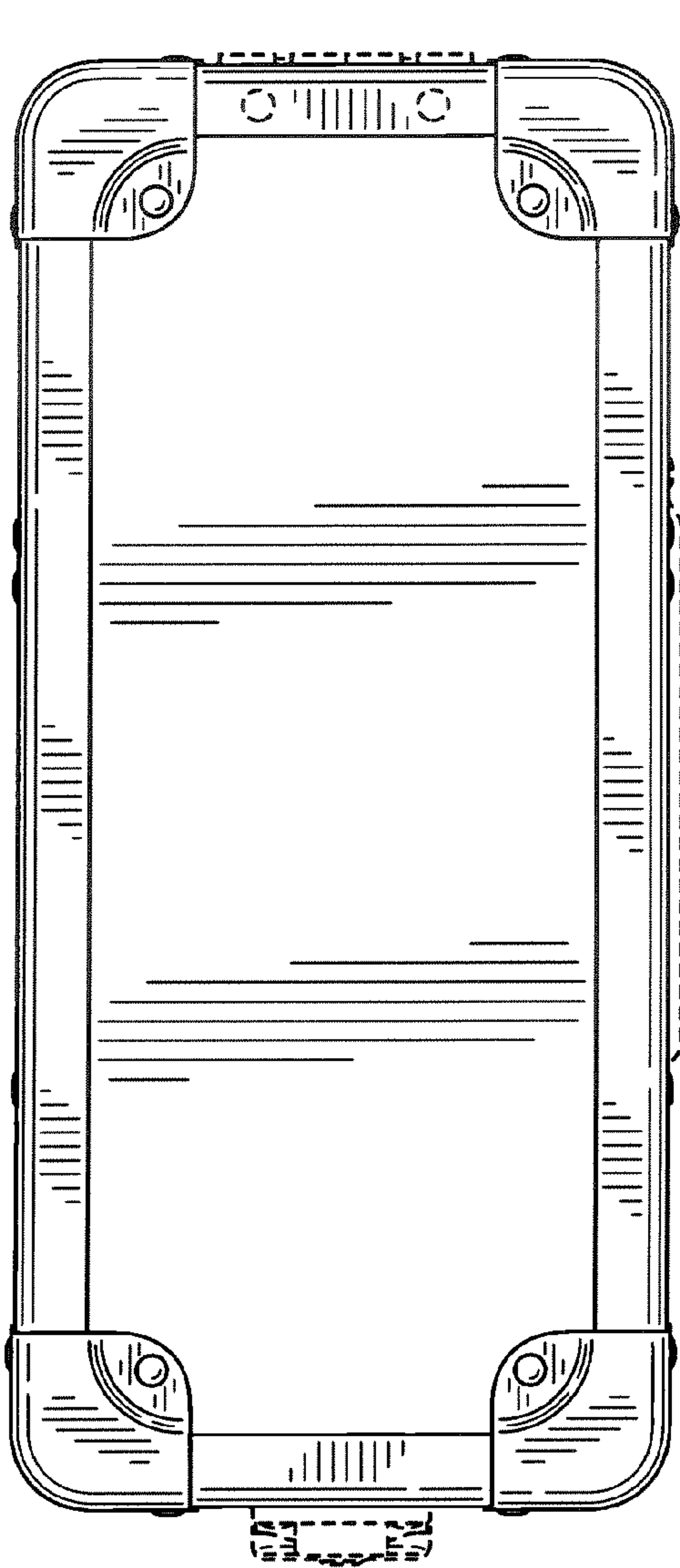


FIG. 13

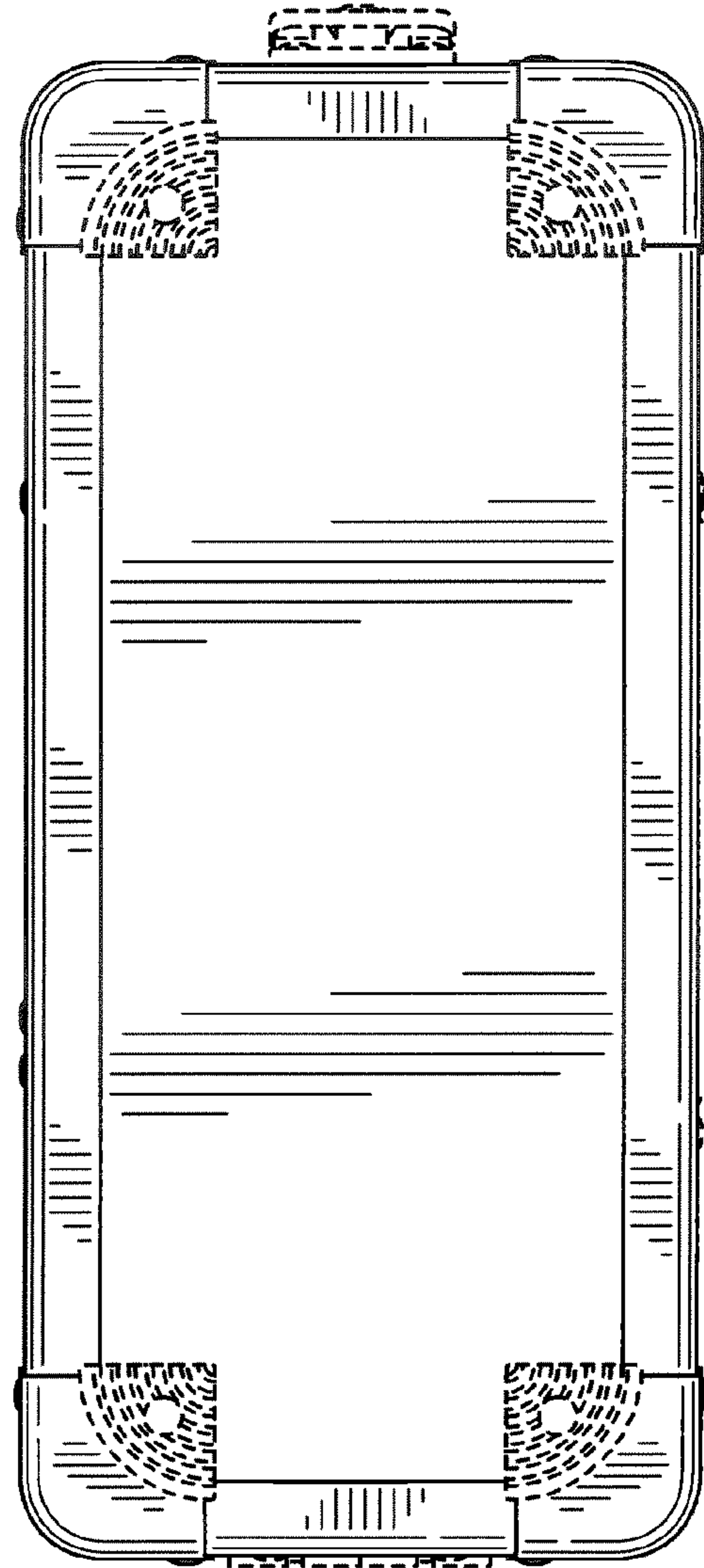


FIG. 14

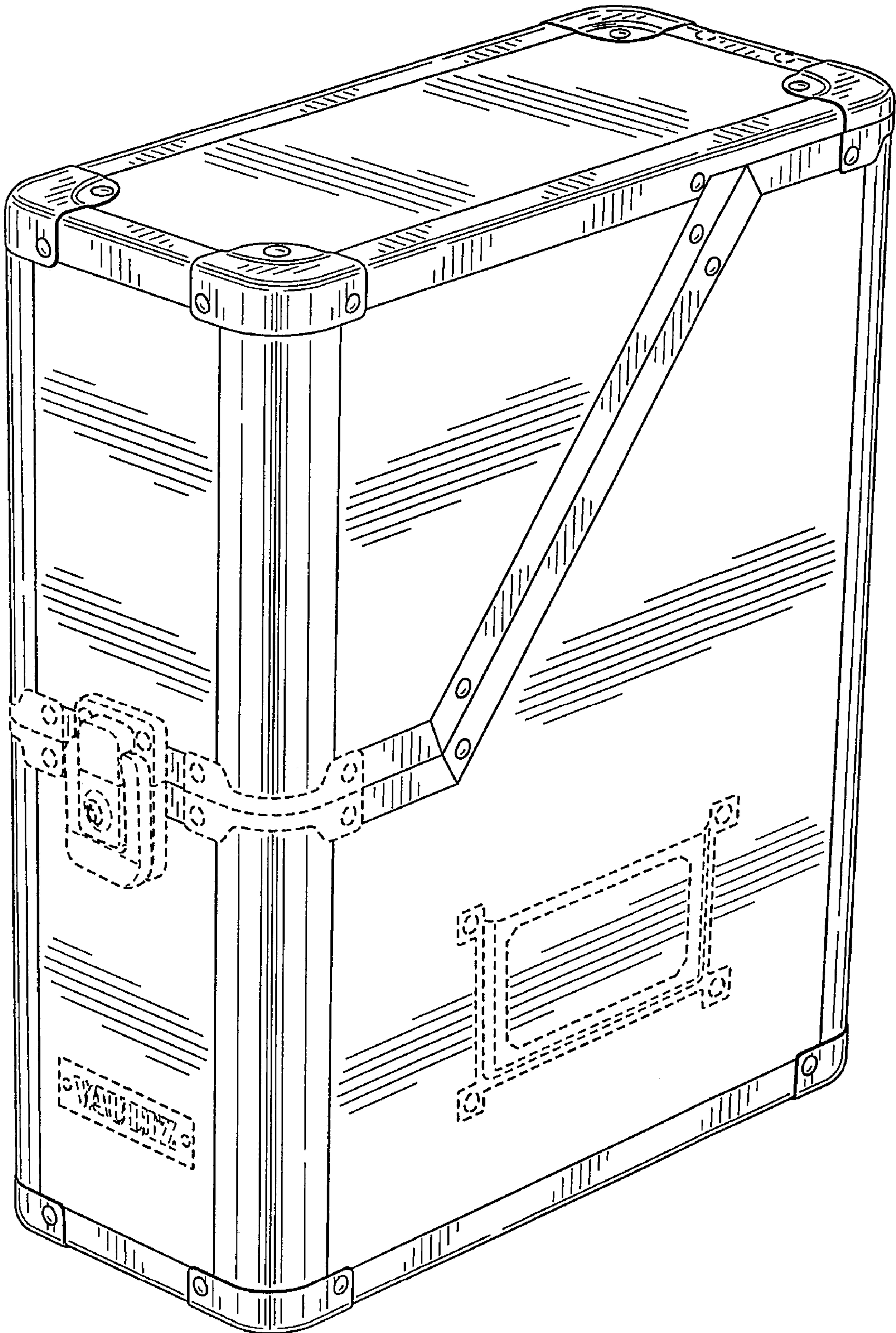


FIG. 15

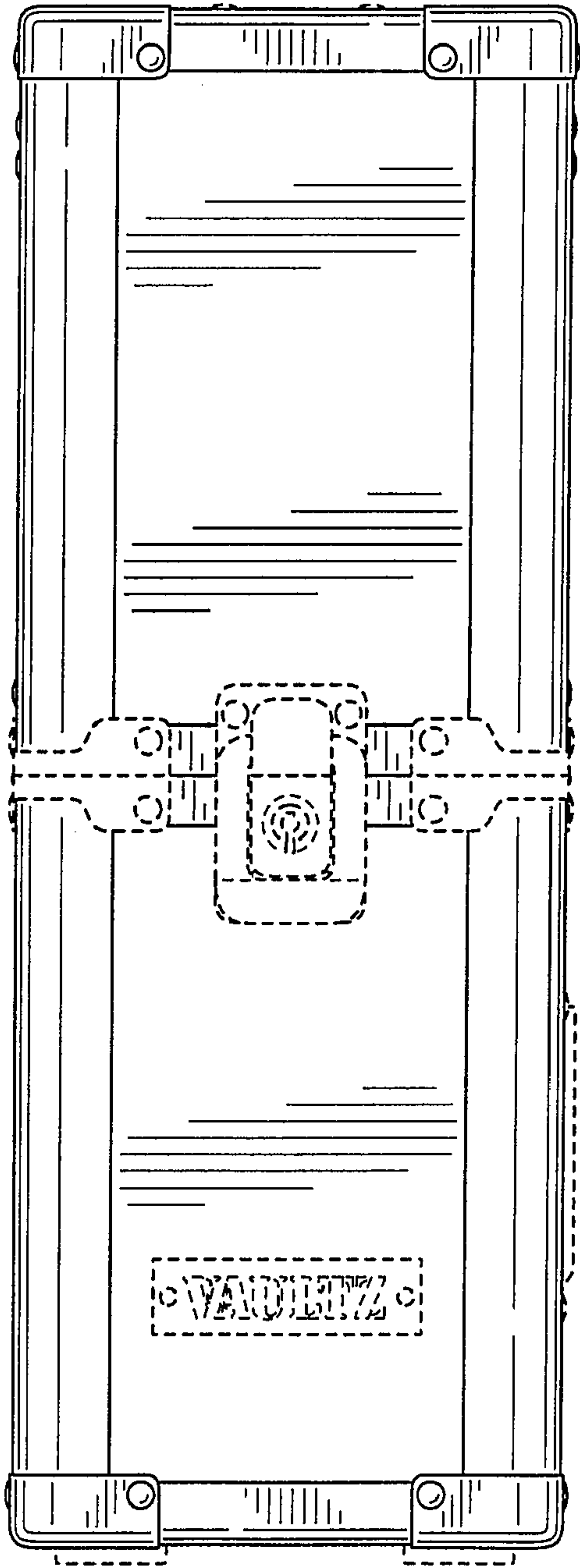


FIG. 16

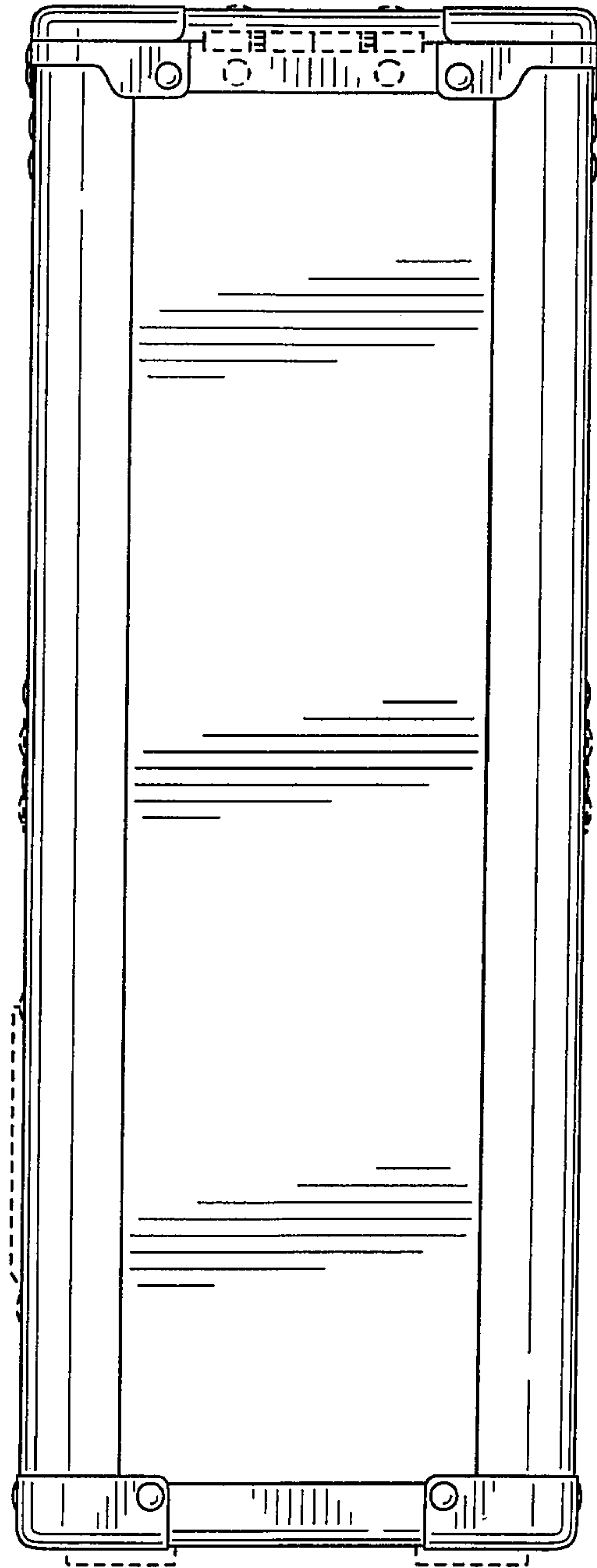


FIG. 17

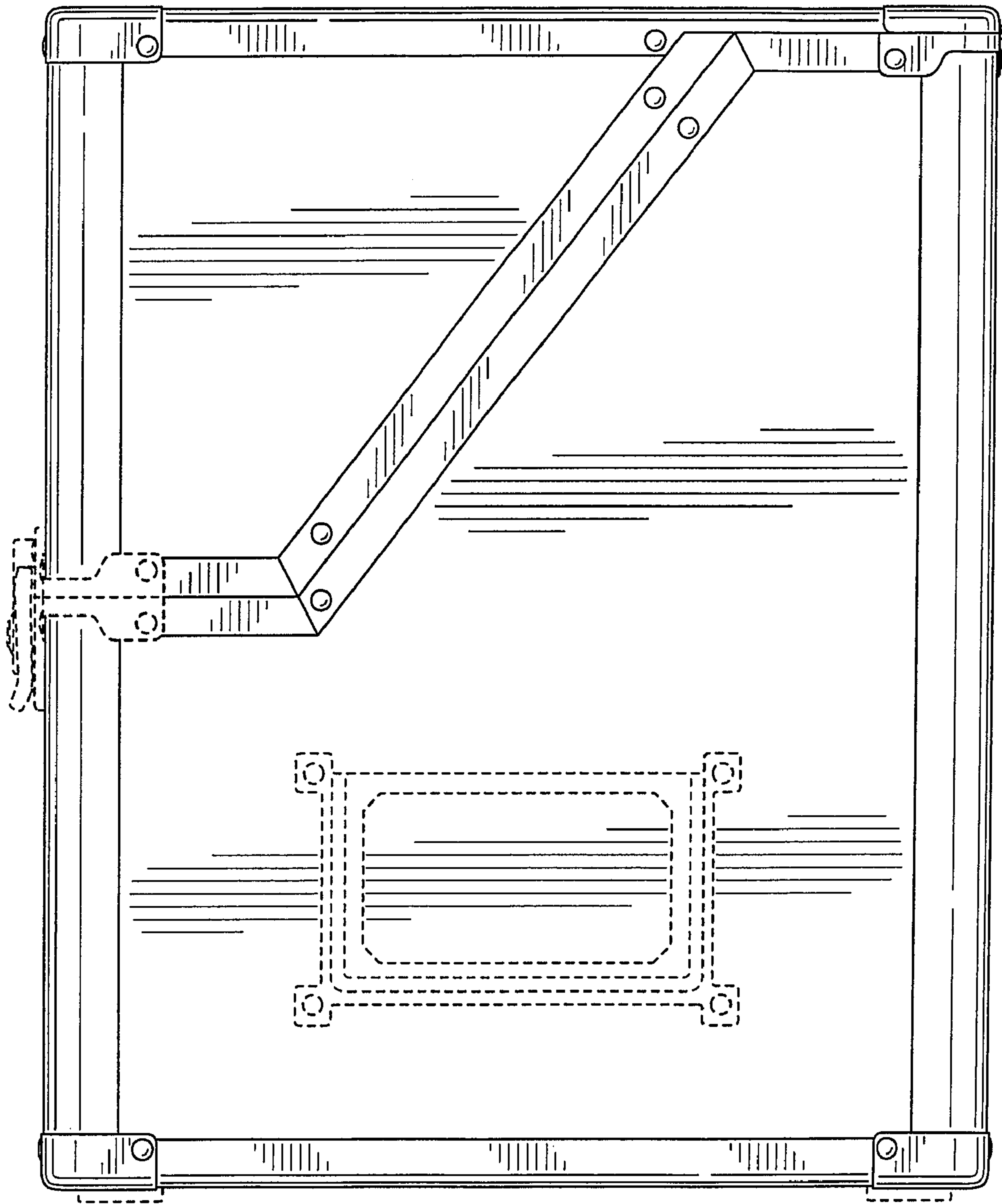


FIG. 18

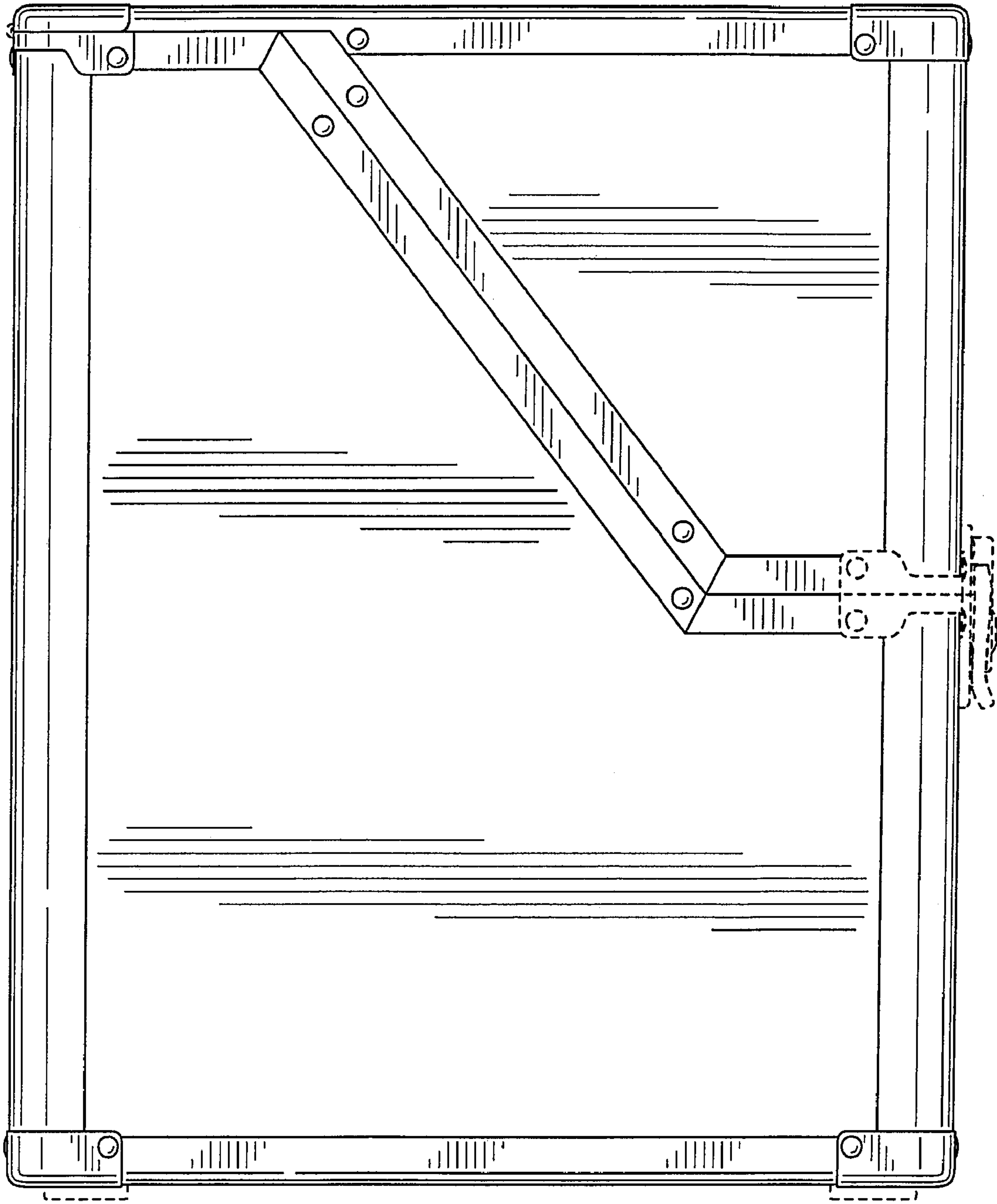


FIG. 19

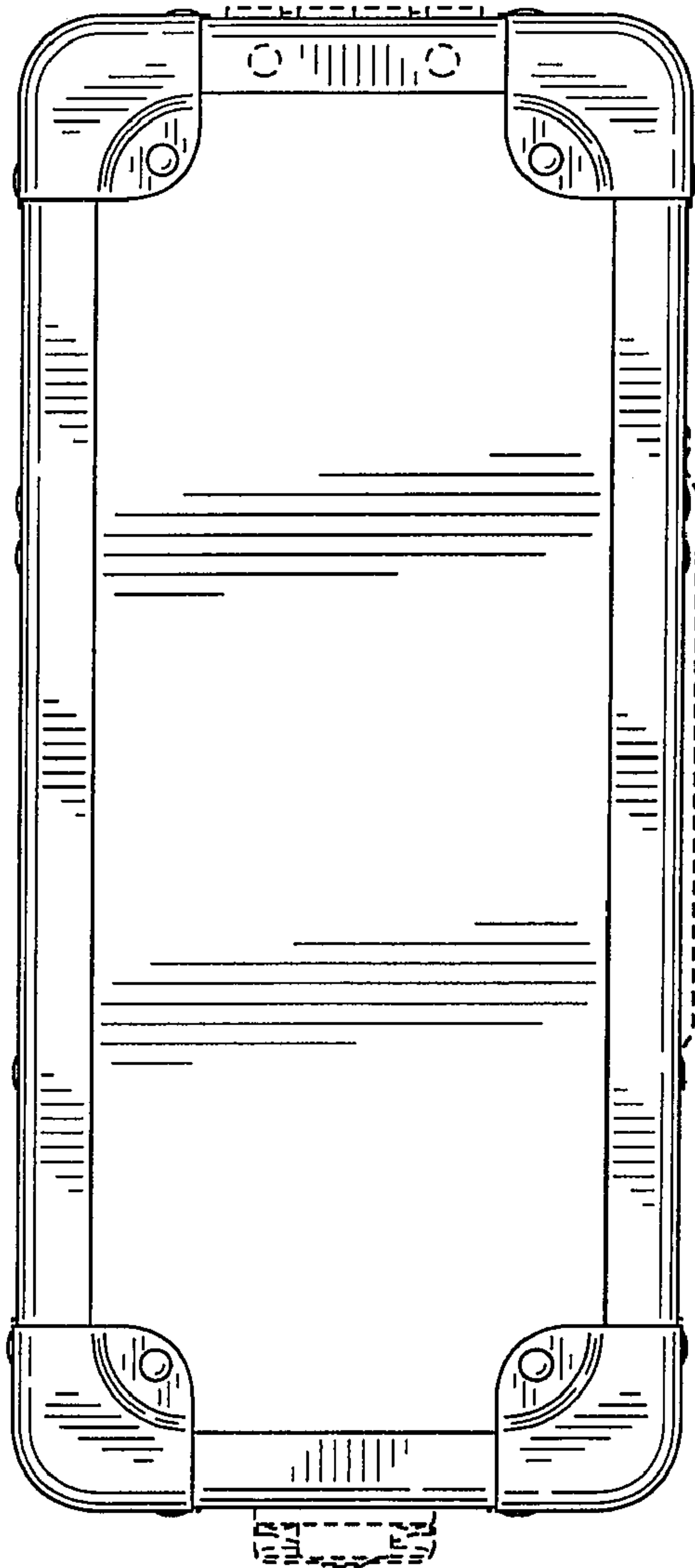


FIG. 20

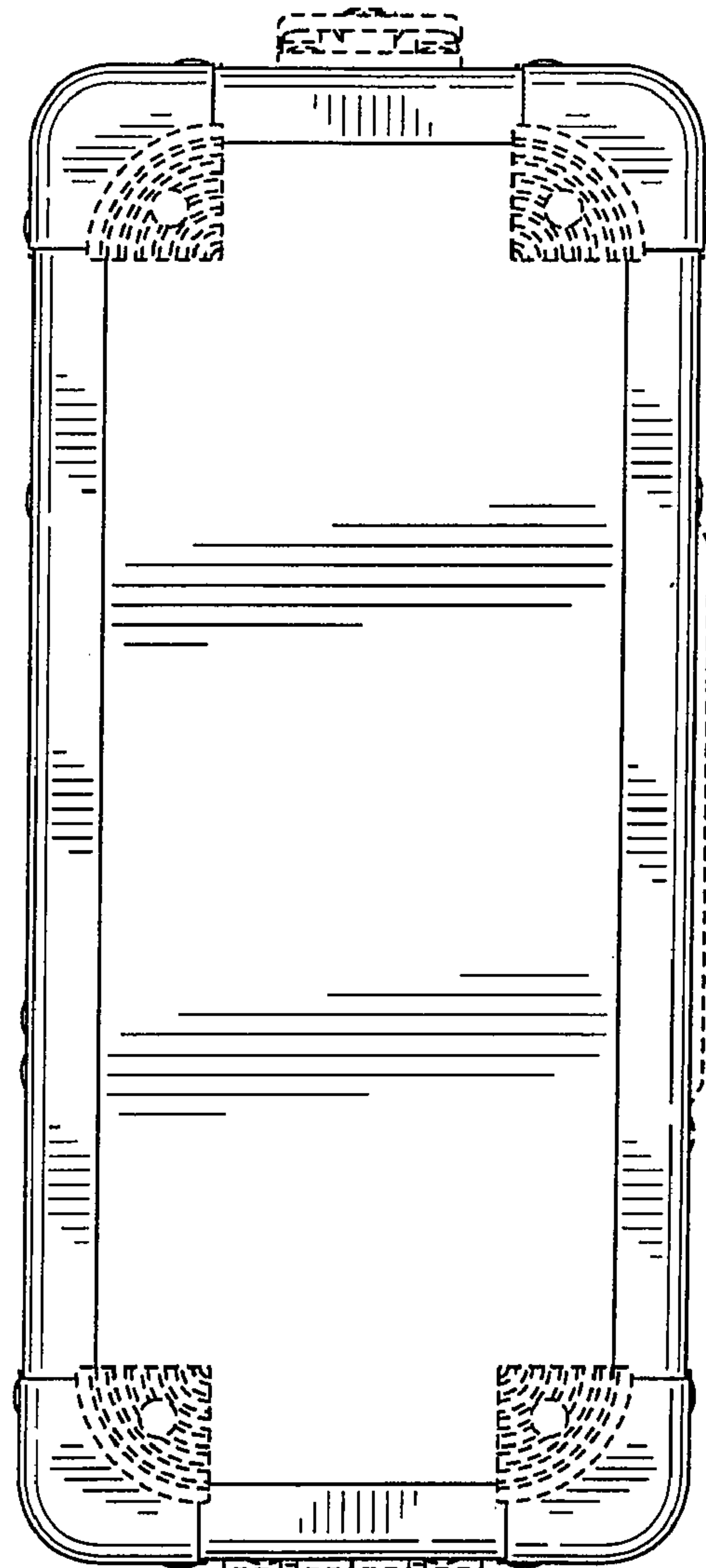


FIG. 21