



US00D564029S

(12) **United States Design Patent** (10) **Patent No.:** **US D564,029 S**
Ono (45) **Date of Patent:** **** Mar. 11, 2008**

(54) **TRANSPARENT CASE FOR CORRECTION TAPE**

(75) Inventor: **Satoru Ono**, Tokorozawa (JP)

(73) Assignee: **PLUS Stationary Corporation**, Tokyo (JP)

(**) Term: **14 Years**

(21) Appl. No.: **29/259,141**

(22) Filed: **May 3, 2006**

(30) **Foreign Application Priority Data**

Nov. 21, 2005 (JP) 2005-034231

(51) **LOC (8) Cl.** **19-02**

(52) **U.S. Cl.** **D19/69**

(58) **Field of Classification Search** D19/66,
D19/67, 68, 69, 70; 156/523, 257, 540, 577;
206/411; 225/6, 25, 39, 77; 242/588, 588.1,
242/588.2, 588.3, 588.6, 598.5

See application file for complete search history.

(56) **References Cited**

U.S. PATENT DOCUMENTS

D421,060 S * 2/2000 Kelders et al. D19/69
D424,619 S * 5/2000 Katami D19/6

(Continued)

FOREIGN PATENT DOCUMENTS

JP D1179547 5/2003
JP 1193473 1/2004

(Continued)

OTHER PUBLICATIONS

Vietnamese Patent Office Action for corresponding Vietnamese design patent application No. 3-2006-00235, dated Feb. 2, 2006. (Citing Reference AN).

Search Report for corresponding Taiwanese application No. 95301318, dated Jan. 18, 2007. (Citing References AA and AF-AJ).

Primary Examiner—Cathron C. Brooks

Assistant Examiner—Austin Murphy

(74) *Attorney, Agent, or Firm*—Armstrong, Kratz, Quintos, Hanson & Brooks, LLP

(57) **CLAIM**

The ornamental design for a transparent case for correction tape, as shown and described.

DESCRIPTION

FIG. 1 is a front view of the transparent case for correction tape of the present invention;

FIG. 2 is a back view thereof;

FIG. 3 is a left side view thereof;

FIG. 4 is a right side view thereof;

FIG. 5 is a plan view thereof;

FIG. 6 is a base view thereof;

FIG. 7 is a perspective view thereof;

FIG. 8 is a A-A cross-sectional view thereof, with the outer-most case indicated by hatching having transparent appearance;

FIG. 9 is a B-B cross-sectional view thereof, with the outer-most case indicated by hatching having transparent appearance;

FIG. 10 is a C-C cross-sectional view thereof, with the outer-most case indicated by hatching having transparent appearance;

FIG. 11 is a front view of the transparent case for correction tape in an alternate position of use;

FIG. 12 is a back view thereof;

FIG. 13 is a left side view thereof;

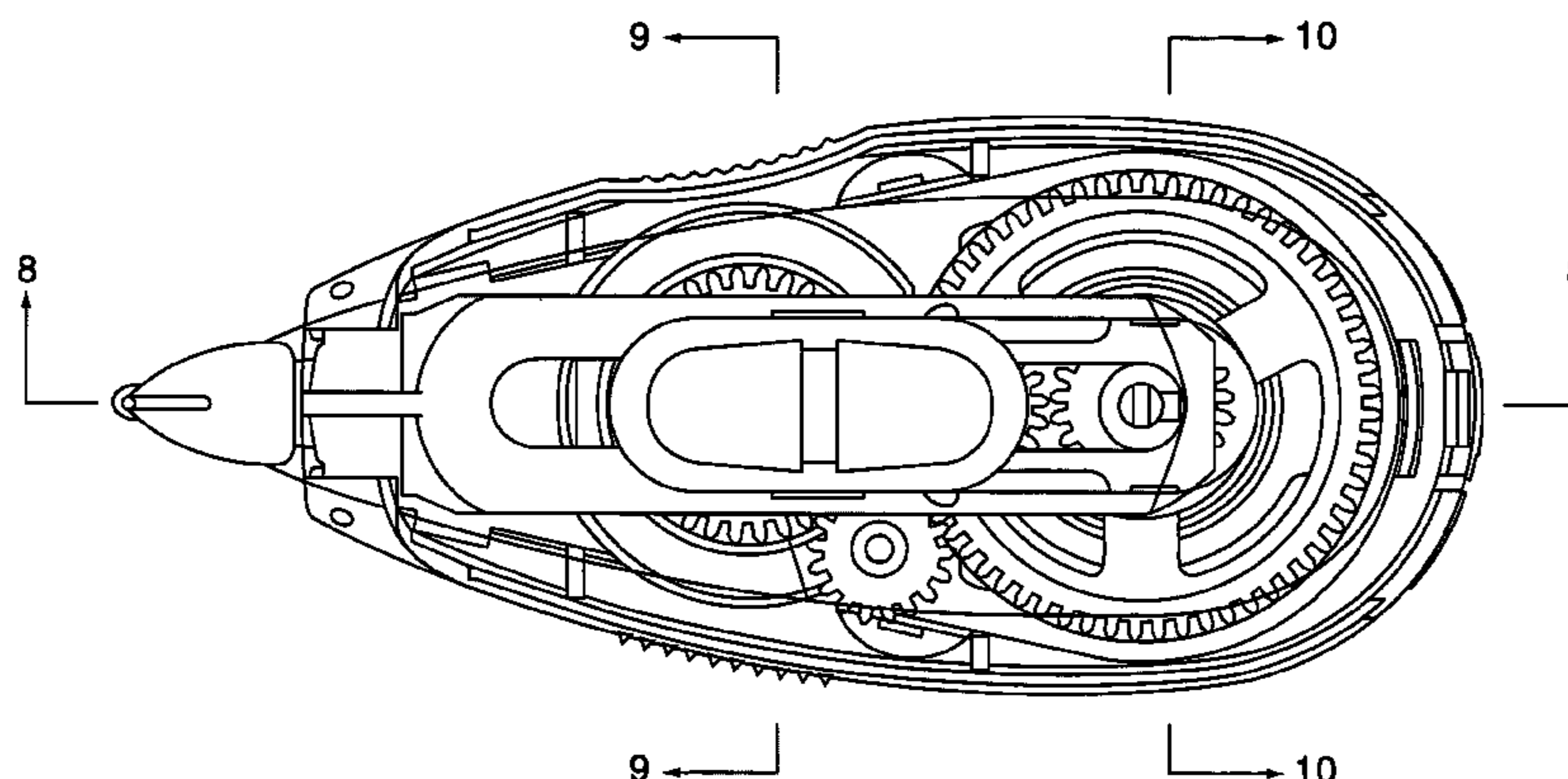
FIG. 14 is a right view thereof;

FIG. 15 is a plan view thereof;

FIG. 16 is a base view thereof; and,

FIG. 17 is a perspective view thereof.

1 Claim, 14 Drawing Sheets



US D564,029 S

Page 2

U.S. PATENT DOCUMENTS

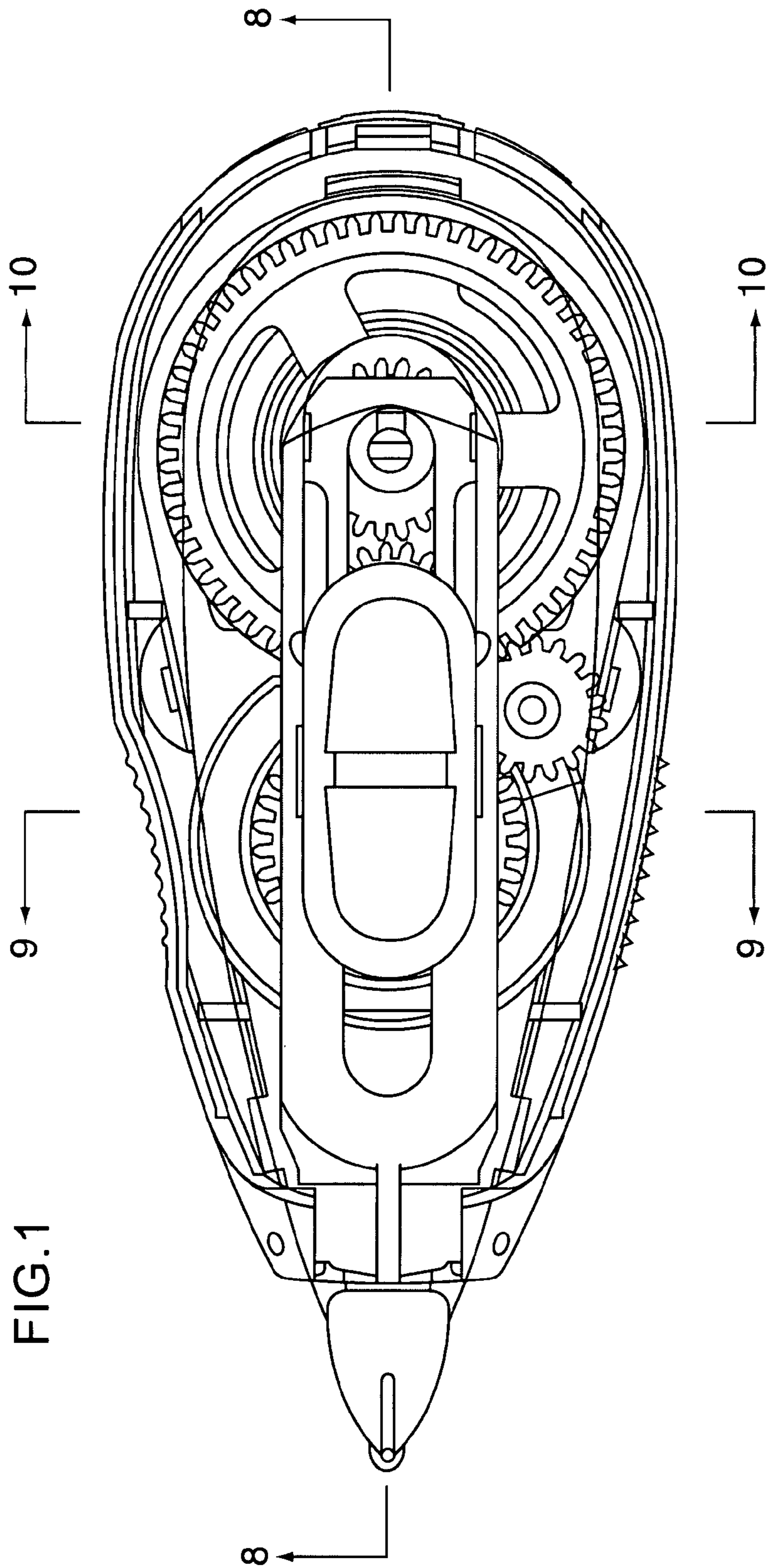
D433,449 S * 11/2000 Fujiwara D19/53
D436,625 S * 1/2001 Katami D19/69
D438,250 S * 2/2001 Katami D19/69
D457,564 S * 5/2002 Kimura D19/53
D465,241 S * 11/2002 Suzuki D19/69
D466,938 S * 12/2002 Lee D19/69
D466,939 S * 12/2002 Lee D19/69
D492,355 S * 6/2004 Suzuki D19/69
6,761,200 B2 * 7/2004 Shinya 156/577

D494,221 S 8/2004 Suzuki

FOREIGN PATENT DOCUMENTS

JP 1193681 1/2004
JP 1225132 12/2004
JP 1225500 12/2004
JP D1239918 4/2005
KR 30-2004-0012119 7/2003
KR 30-2003-0005953 12/2004
TW 480100 3/2002

* cited by examiner



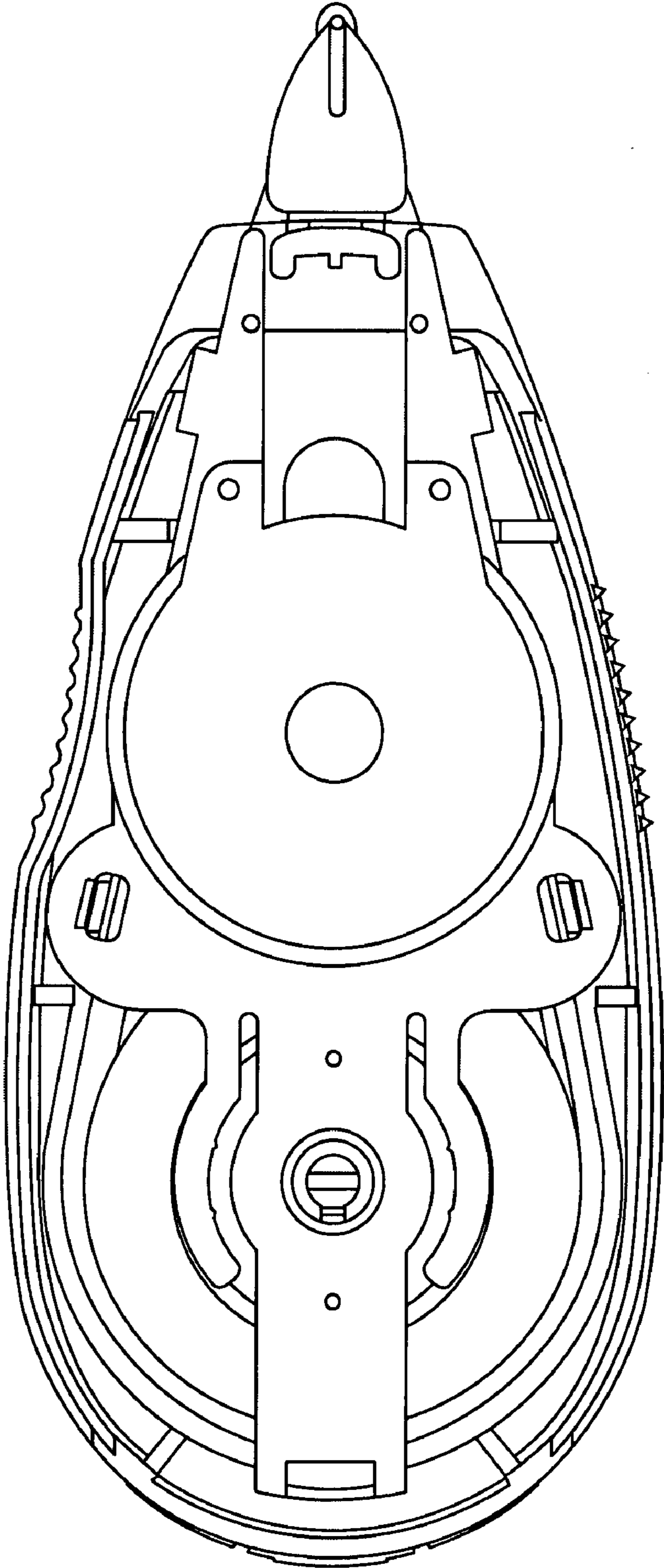


FIG.2

FIG.3

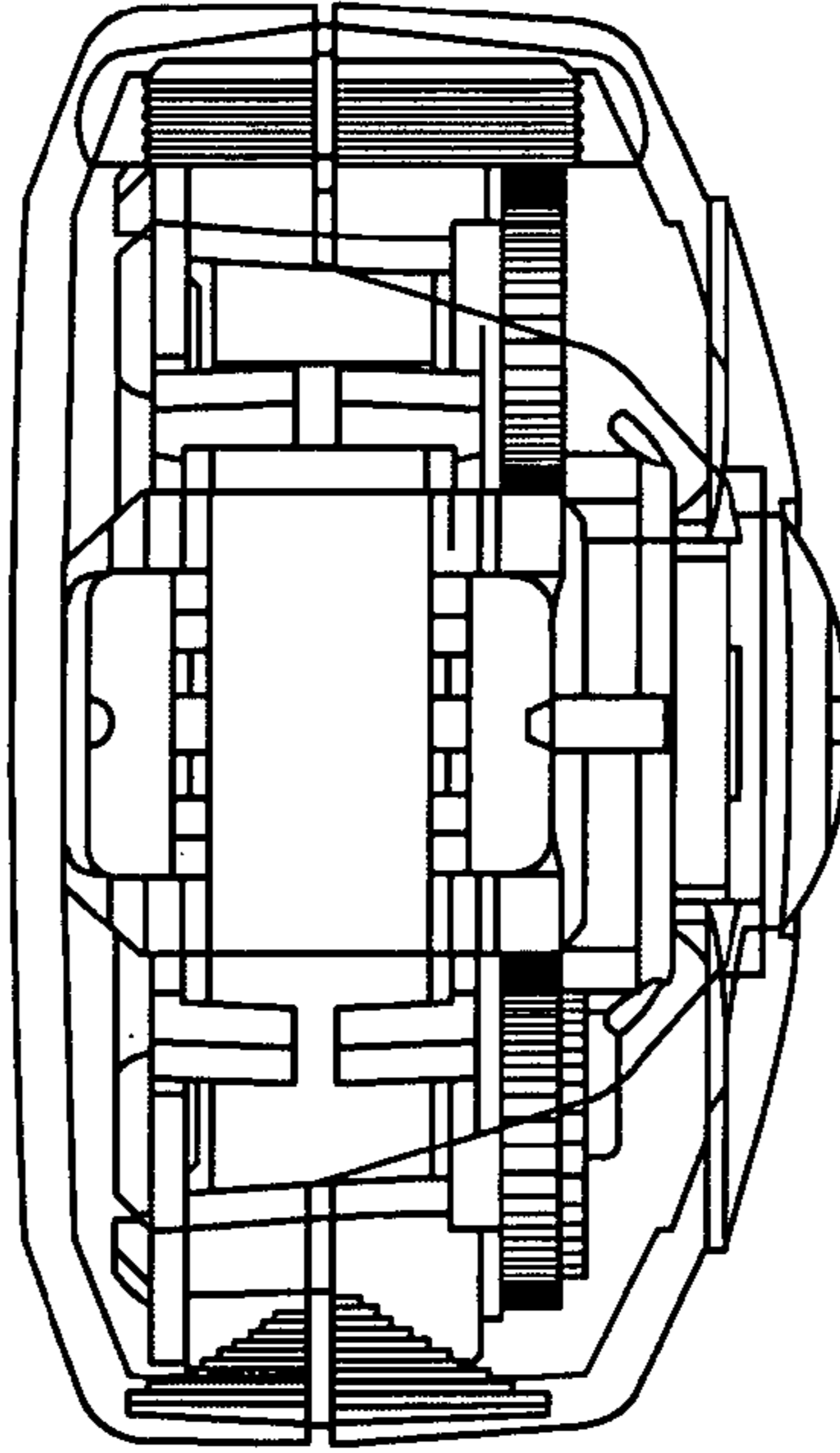


FIG.4

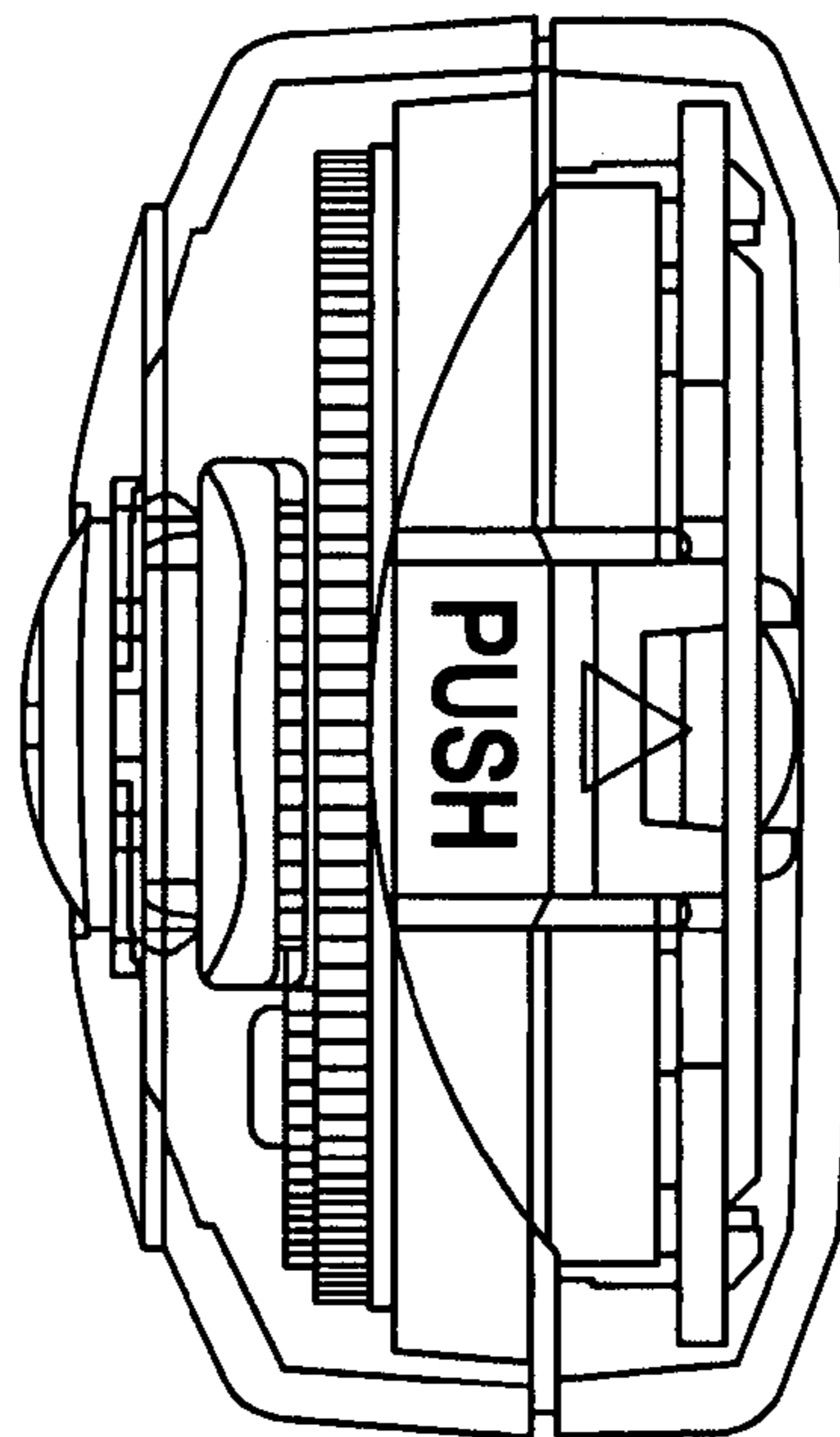


FIG. 5

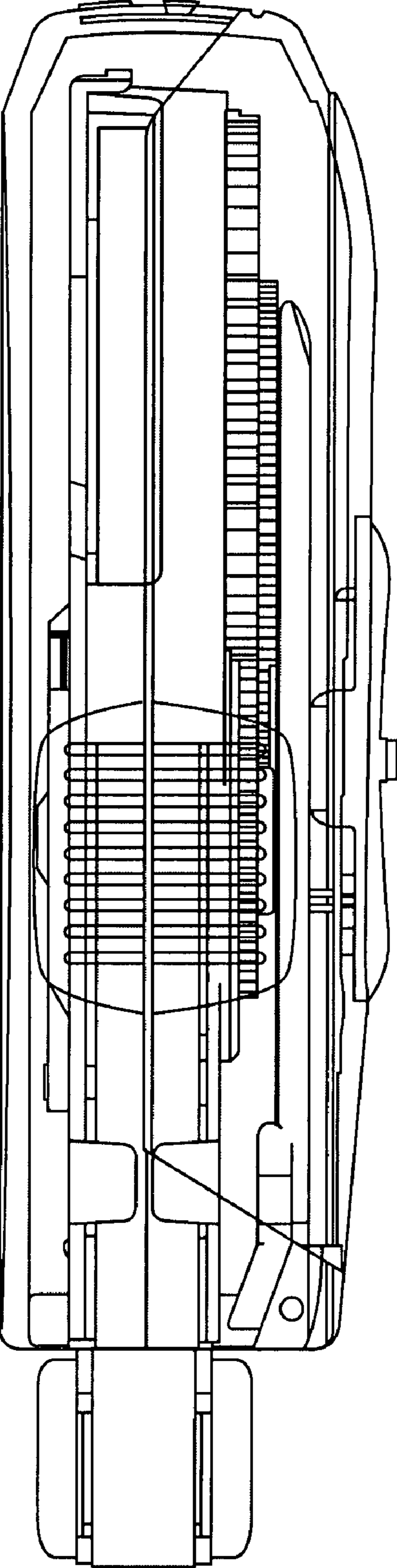
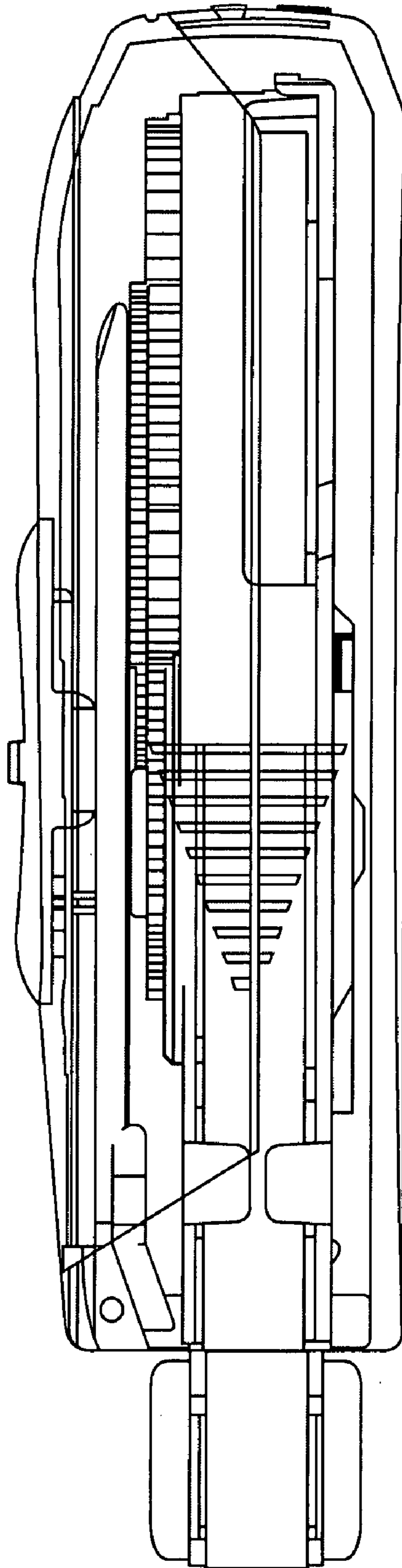


FIG. 6



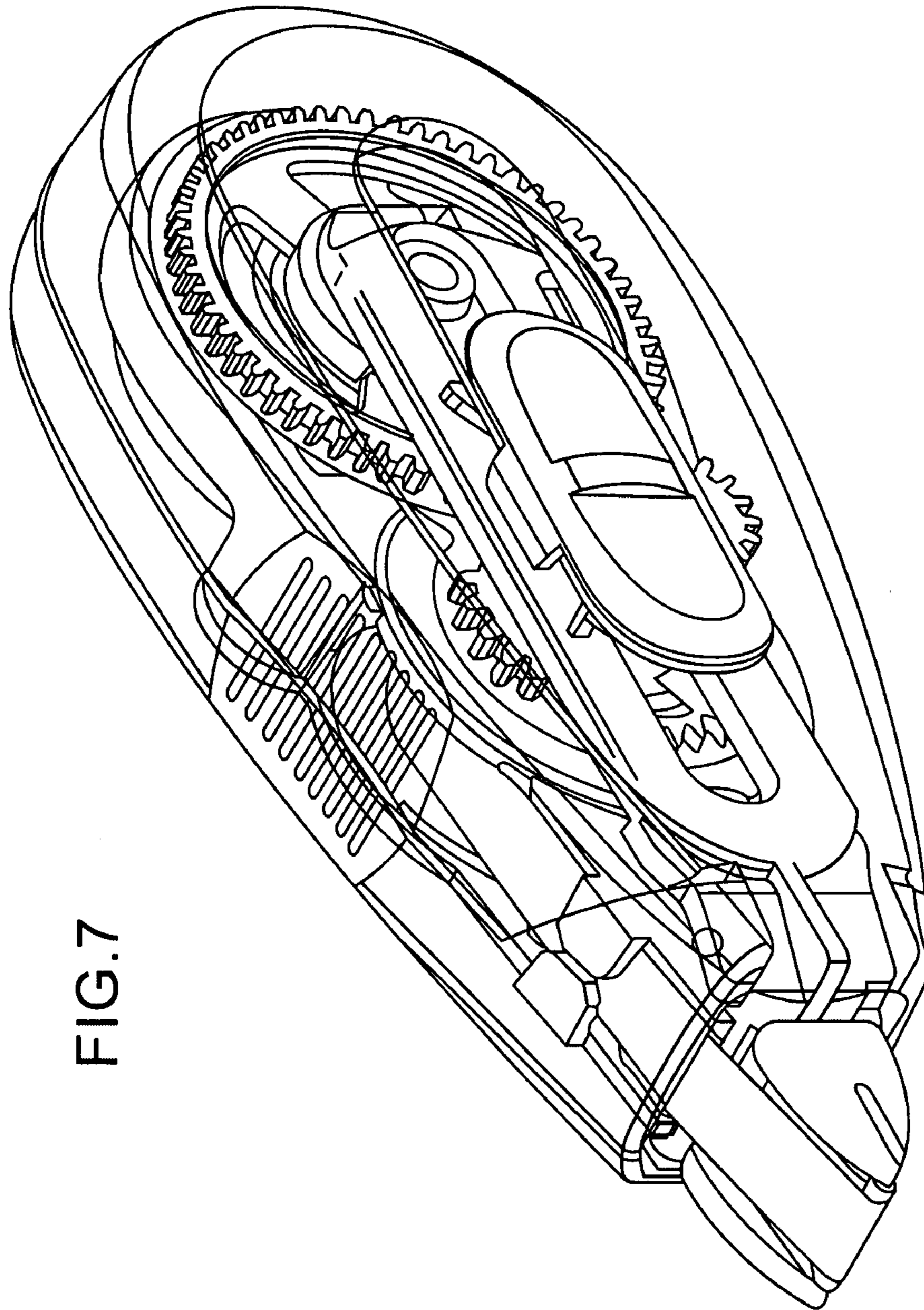


FIG.7

FIG. 8

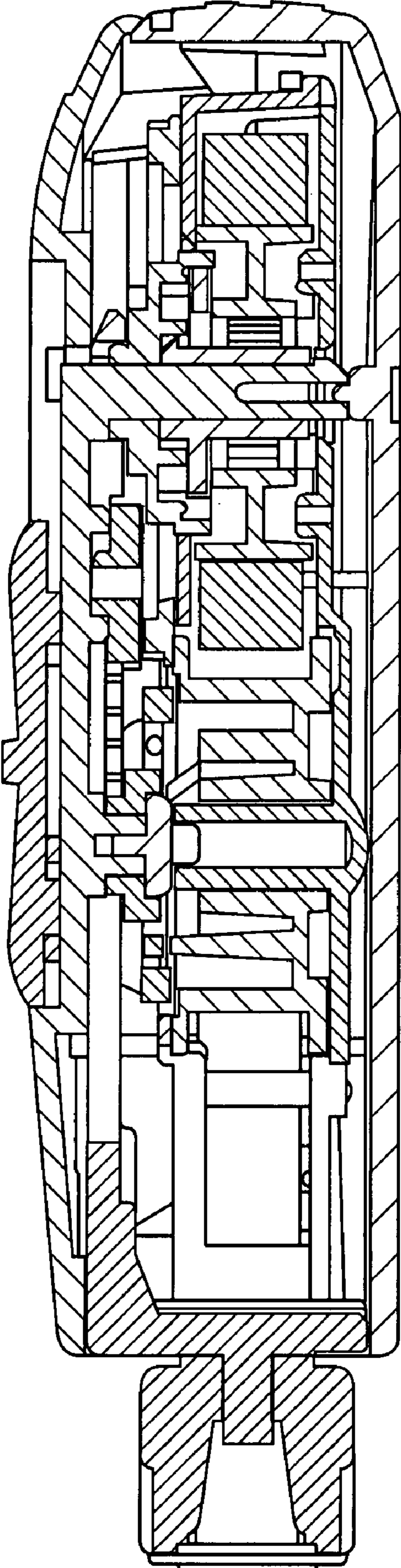


FIG.9

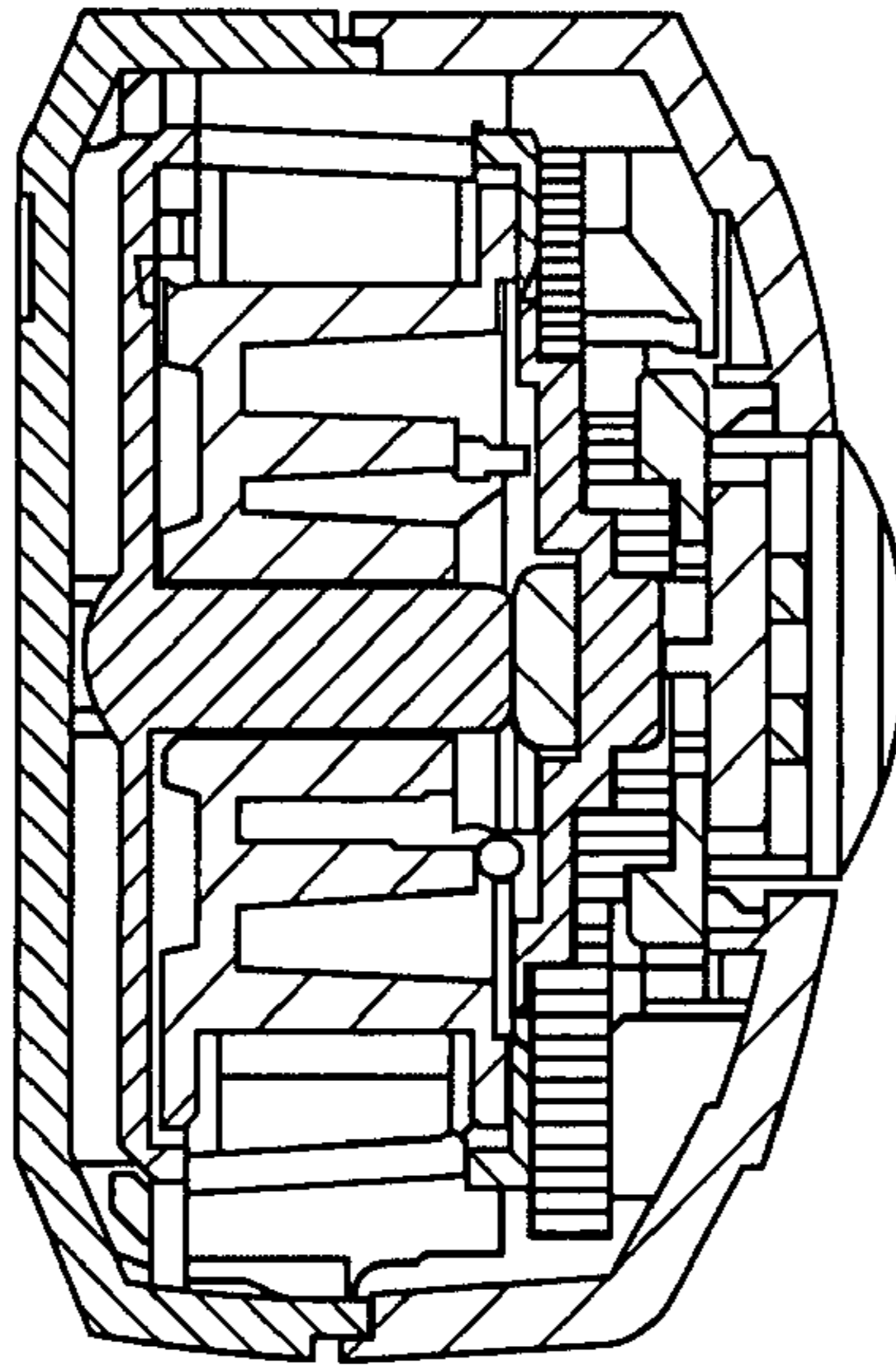


FIG.10

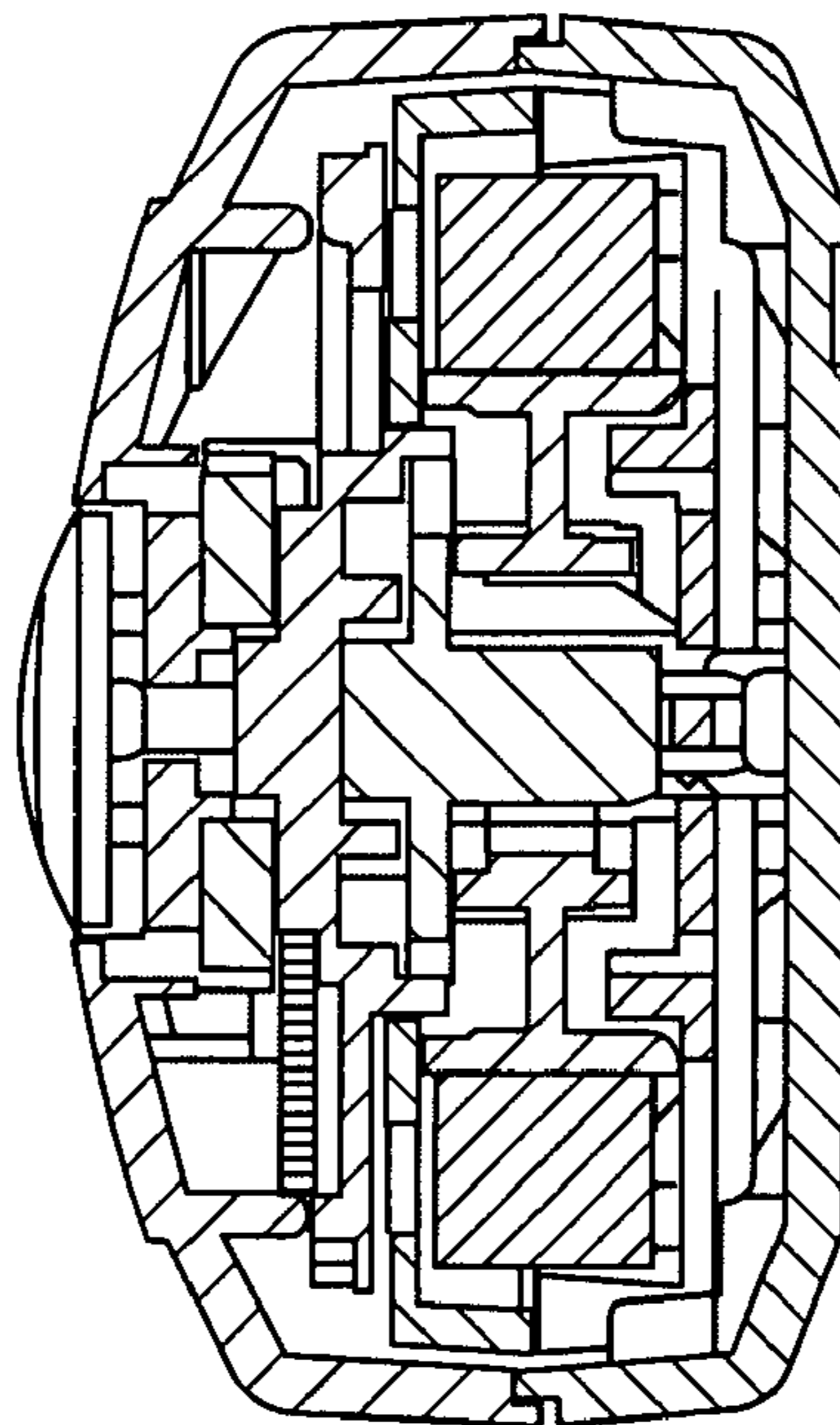
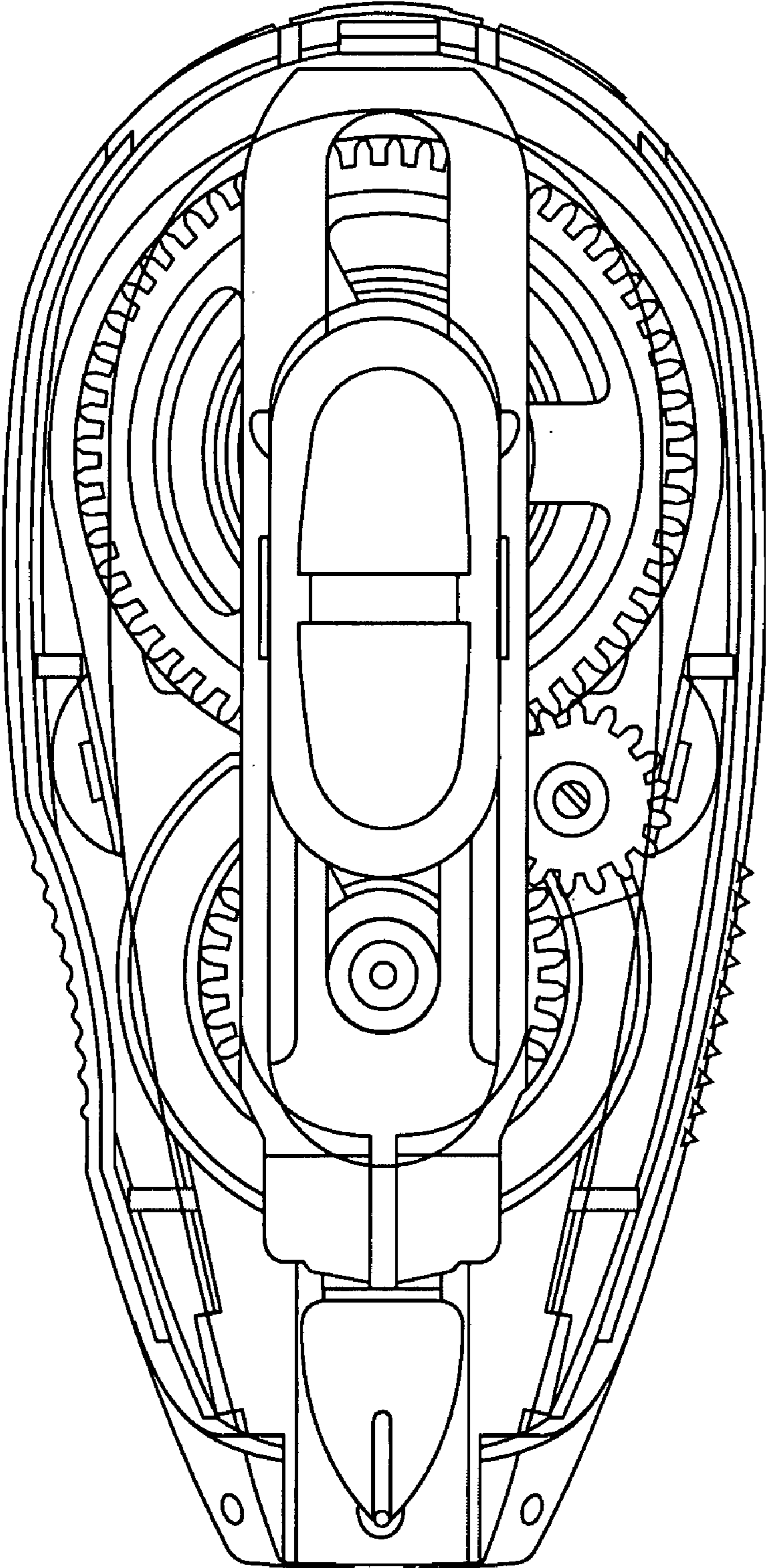


FIG. 11



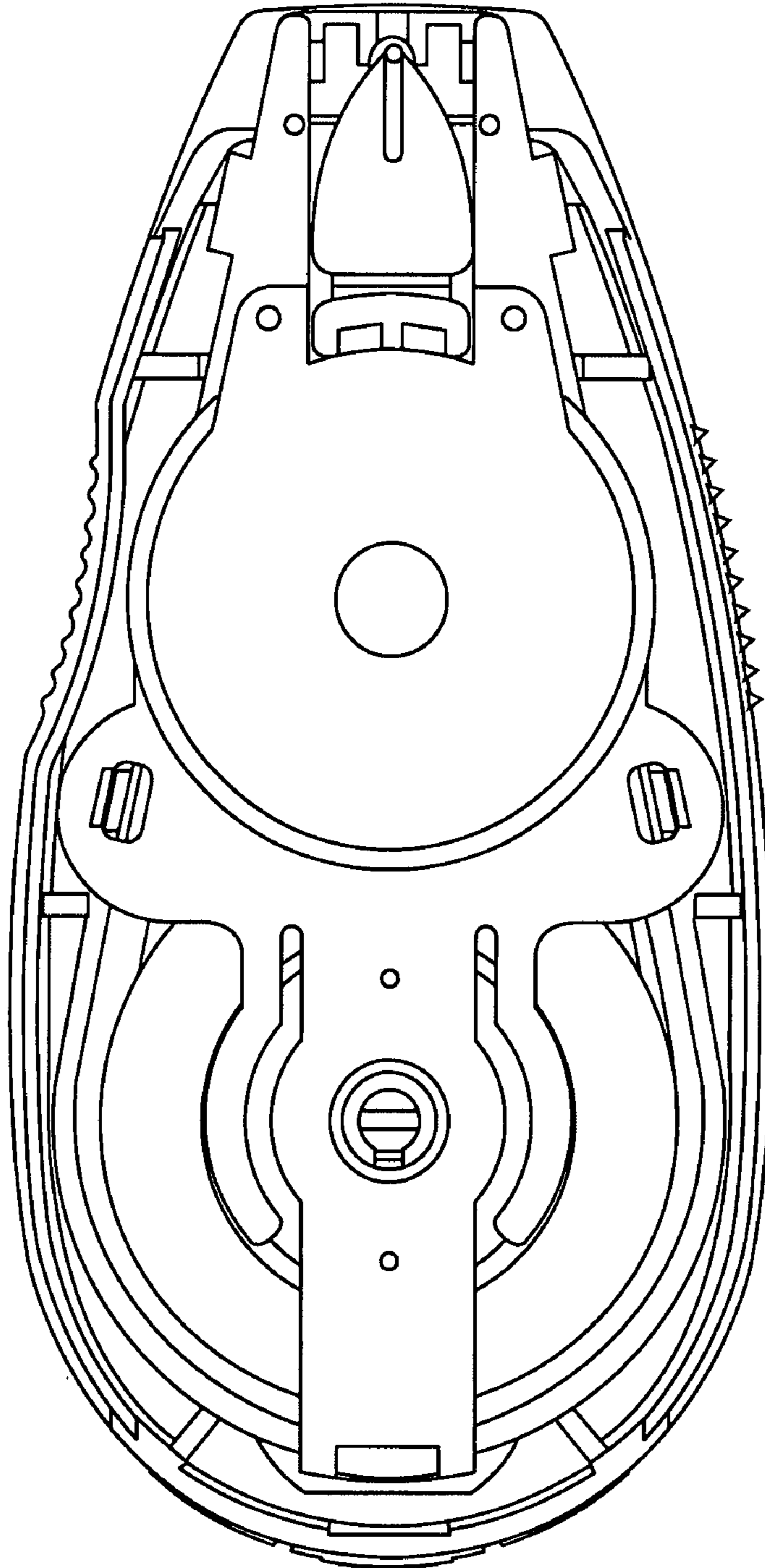


FIG. 12

FIG.13

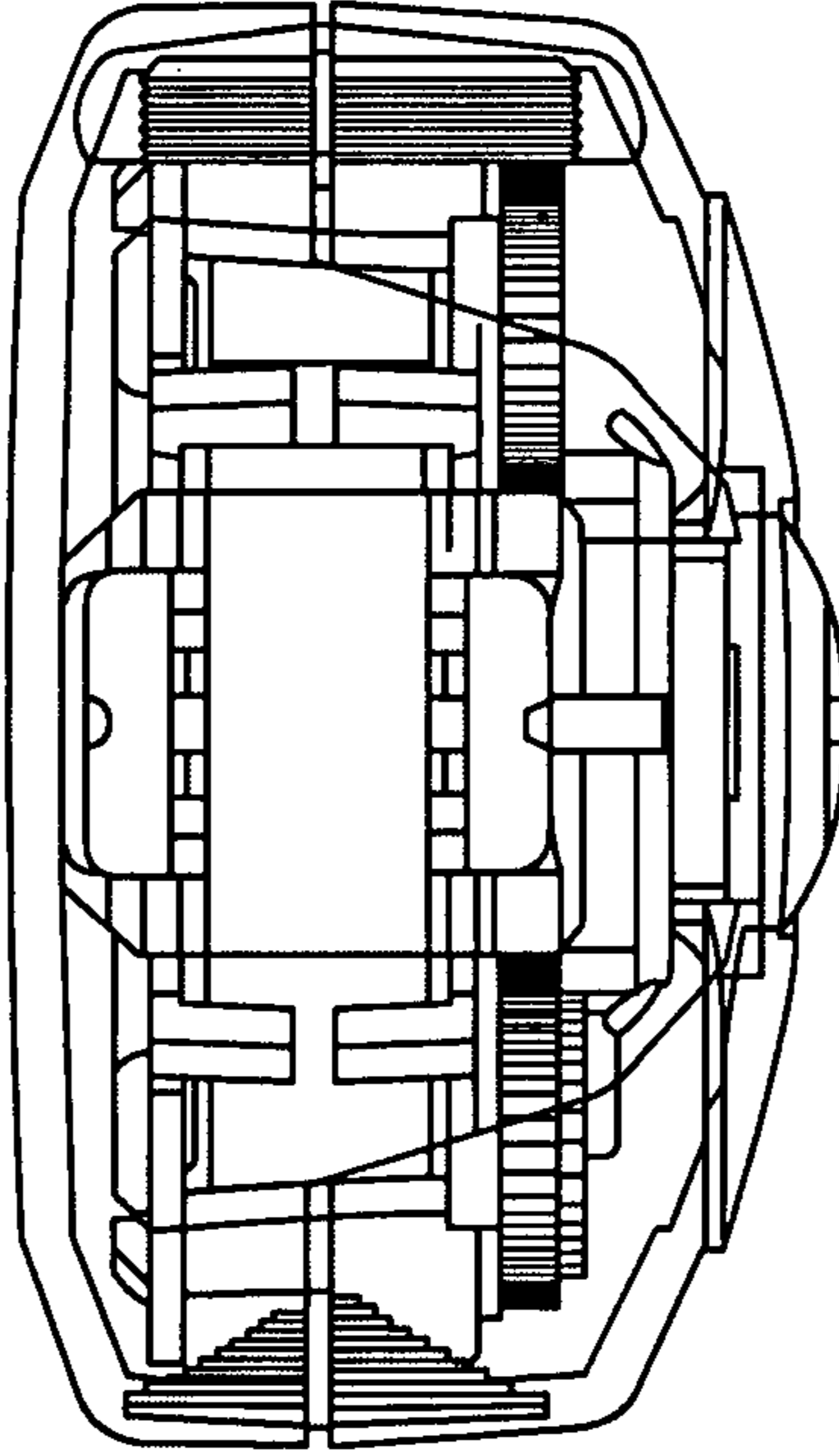


FIG.14

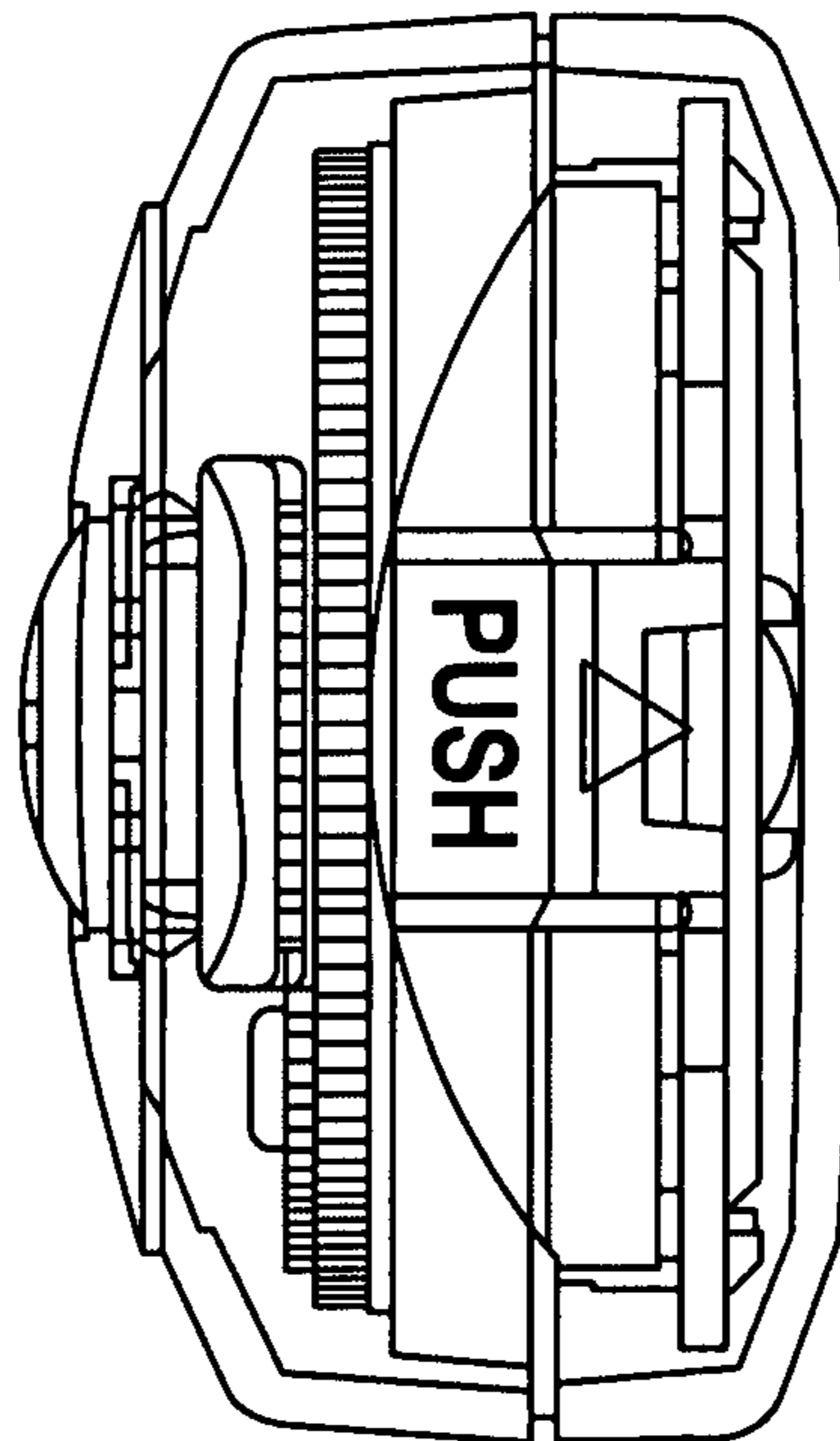


FIG. 15

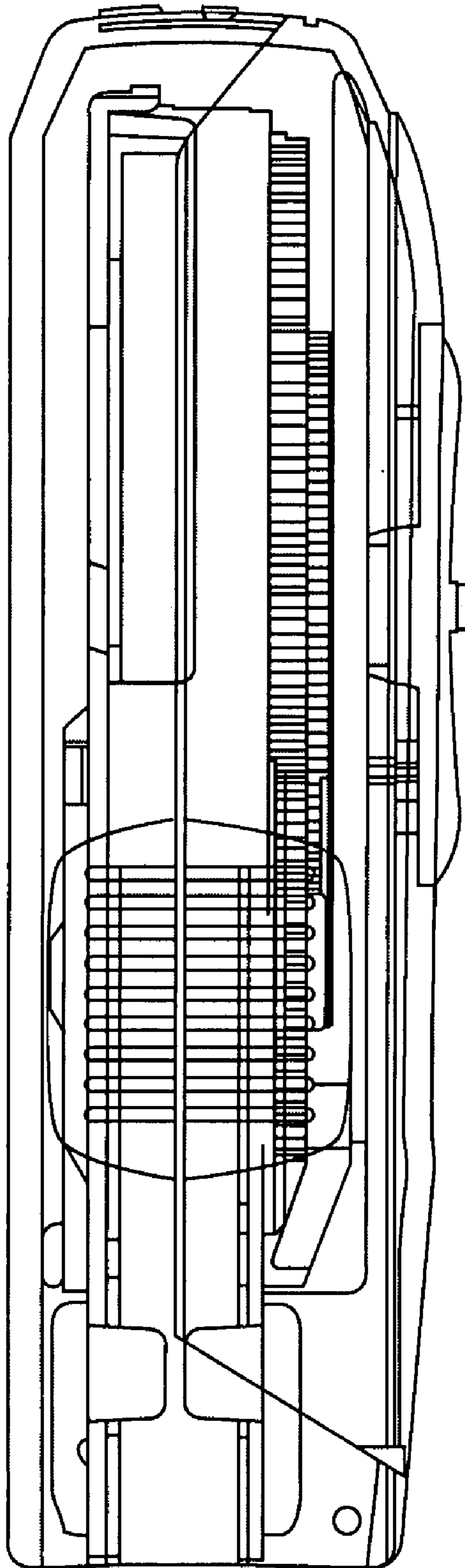
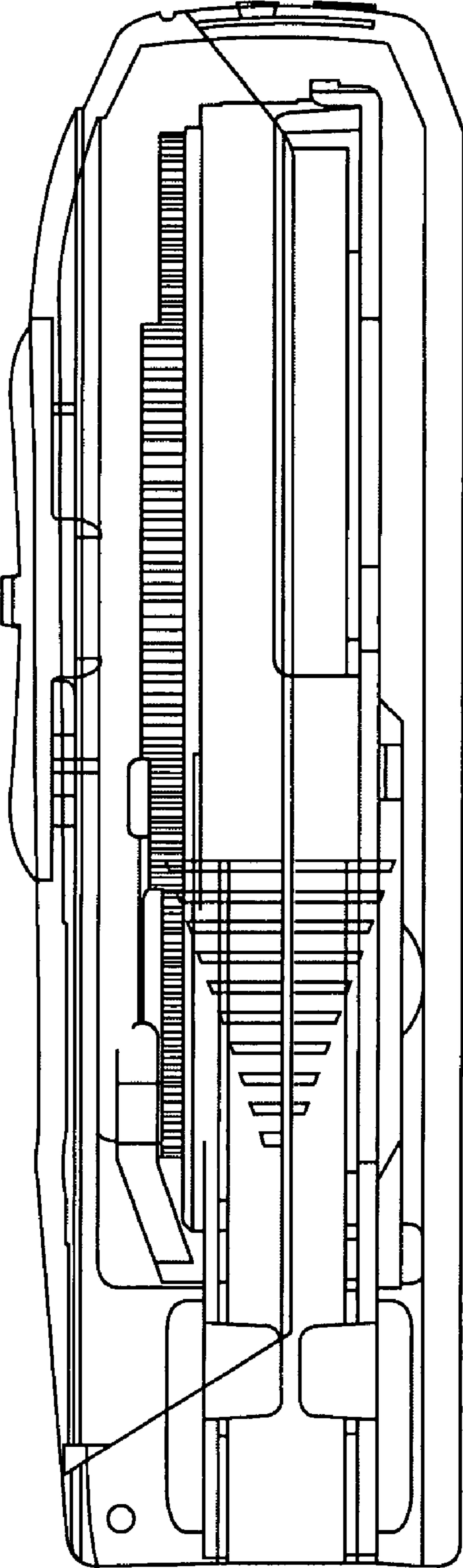


FIG.16



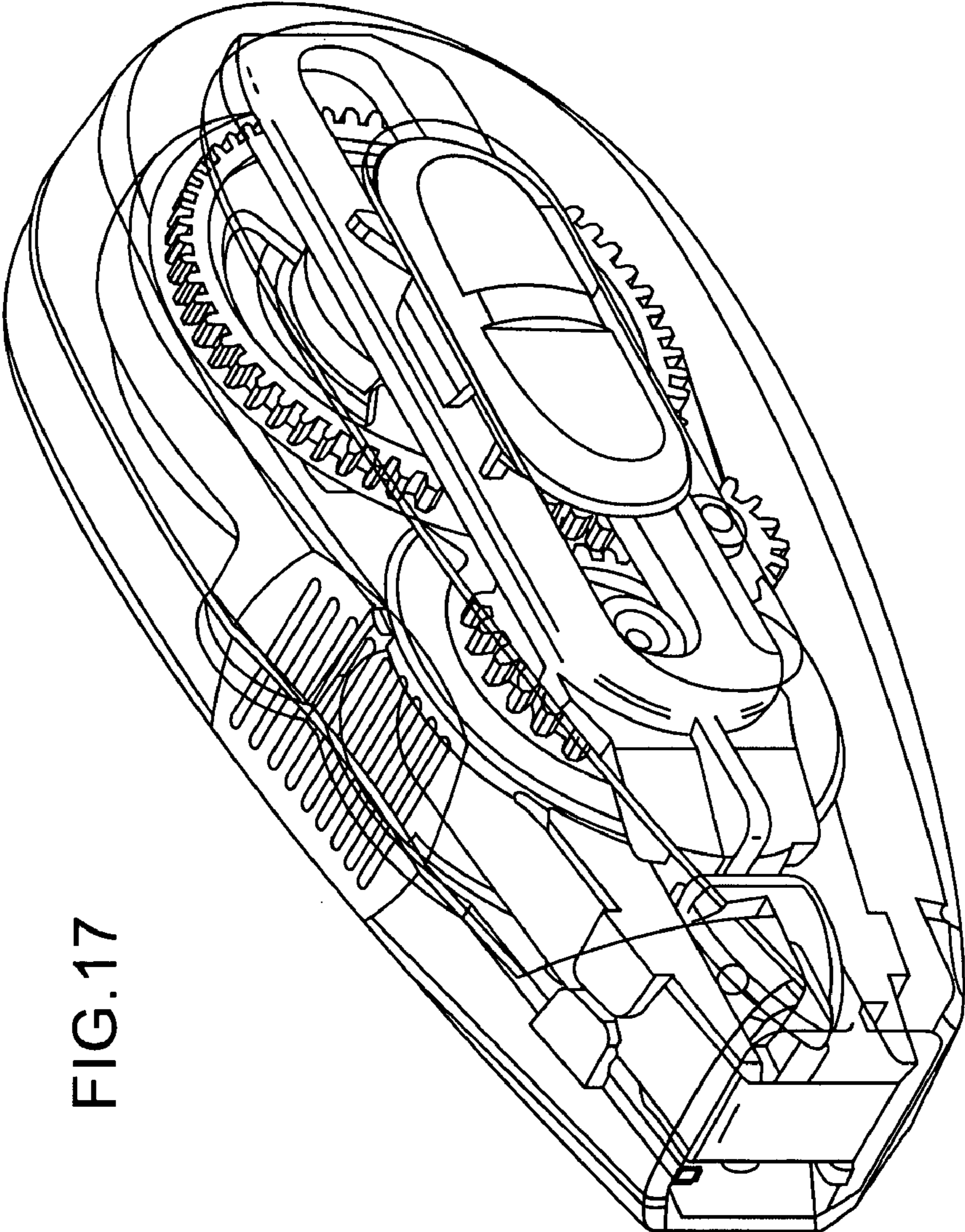


FIG.17