

US00D564028S

(12) **United States Design Patent**
Cetera

(10) **Patent No.:** **US D564,028 S**

(45) **Date of Patent:** **** Mar. 11, 2008**

(54) **STYLUS PEN CLIP**

(75) Inventor: **Carl Cetera**, Tenafly, NJ (US)

(73) Assignee: **Cotapaxi Custom Design and Manufacturing, LLC**, Carlstadt, NJ (US)

(**) Term: **14 Years**

(21) Appl. No.: **29/279,566**

(22) Filed: **May 3, 2007**

Related U.S. Application Data

(62) Division of application No. 29/279,470, filed on May 1, 2007, now Pat. No. Des. 554,182.

(51) **LOC (8) Cl.** **10-06**

(52) **U.S. Cl.** **D19/56**

(58) **Field of Classification Search** D19/35, D19/36, 41-51, 53-57; 24/11 P, 11 F, 11 R; 401/52, 99, 100, 104-109, 192, 195, 196
See application file for complete search history.

(56) **References Cited**

U.S. PATENT DOCUMENTS

D343,196 S * 1/1994 Liguori D19/57
D418,541 S * 1/2000 Mayer D19/50
D442,635 S * 5/2001 Izushima D19/43
D485,301 S * 1/2004 Santa Maria et al. D19/56

D490,850 S * 6/2004 Carls et al. D19/51
D497,180 S * 10/2004 Cetera D19/36
D538,344 S * 3/2007 Santa Maria et al. D19/56

OTHER PUBLICATIONS

U.S. Appl. No. 11/127,684, Carl Cetera.

* cited by examiner

Primary Examiner—Elizabeth A. Albert

(74) *Attorney, Agent, or Firm*—The Soni Law Firm

(57) **CLAIM**

The ornamental design for a stylus pen clip, as shown and described.

DESCRIPTION

FIG. 1 is a front bottom side perspective view of the stylus pen clip showing my new design;

FIG. 2 is a front elevational view thereof;

FIG. 3 is a right side view thereof which is a mirror image of the left side thereof;

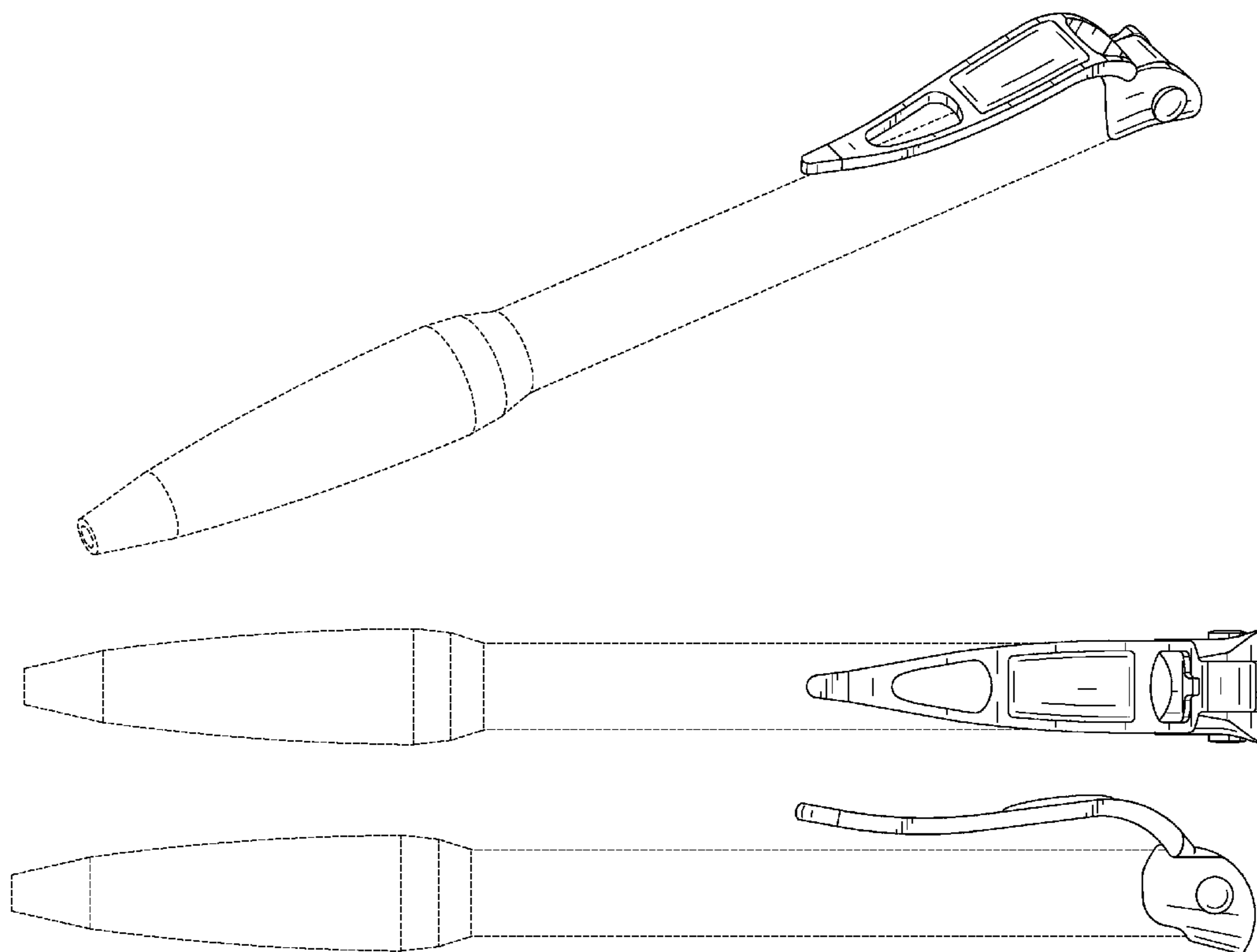
FIG. 4 is a back elevational view thereof;

FIG. 5 is a bottom plan view thereof; and,

FIG. 6 is a top plan view thereof.

The broken lines depicting environmental structure are for illustrative purposes only and form no part of the claimed design.

1 Claim, 2 Drawing Sheets



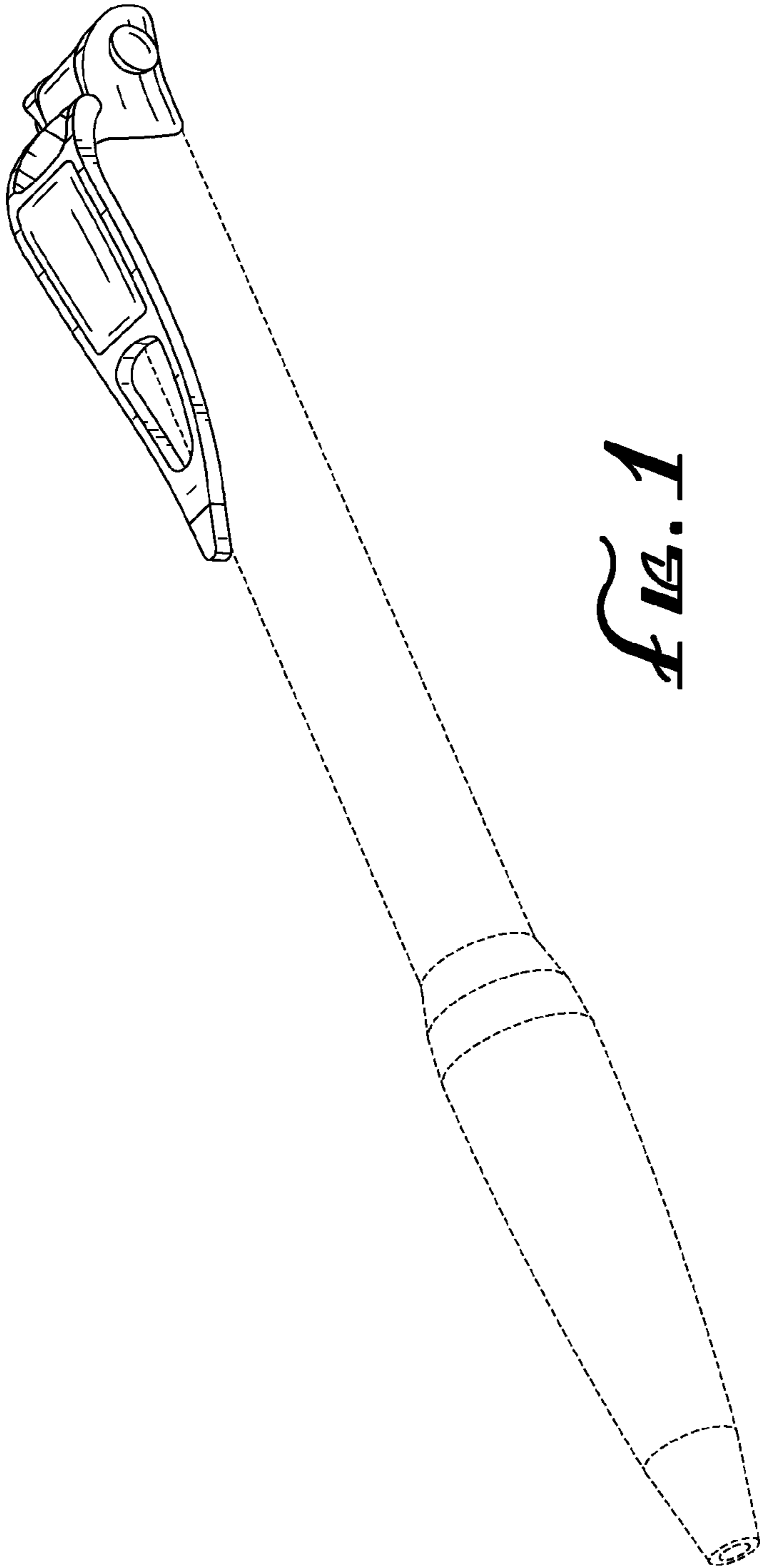


FIG. 1

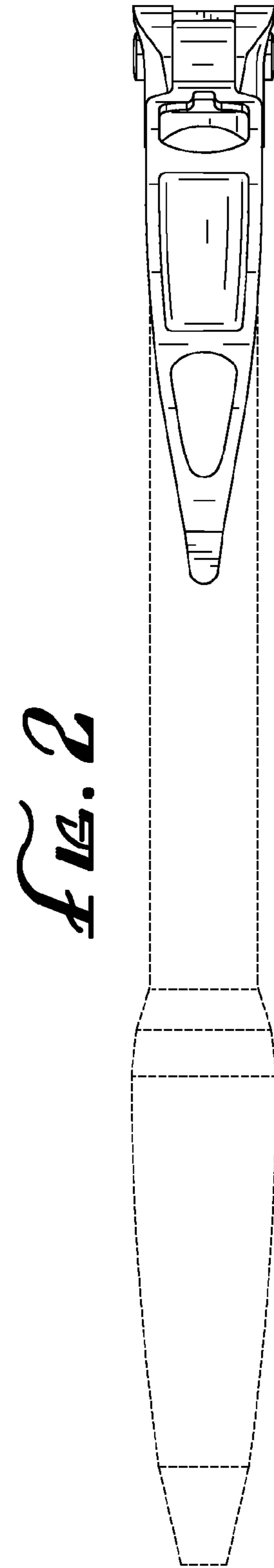


FIG. 2

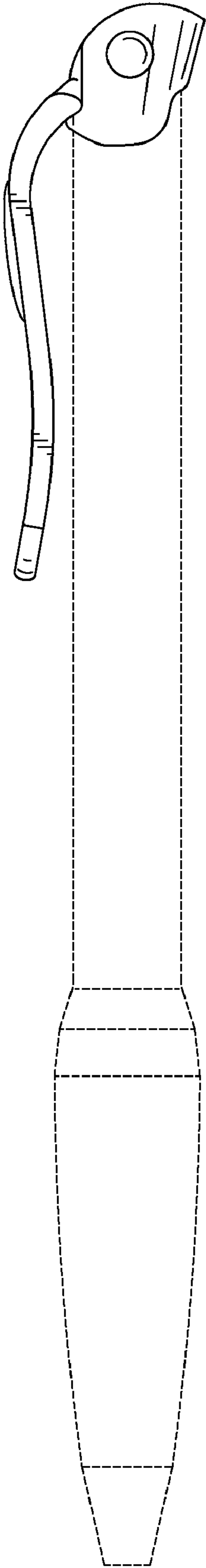


FIG. 3

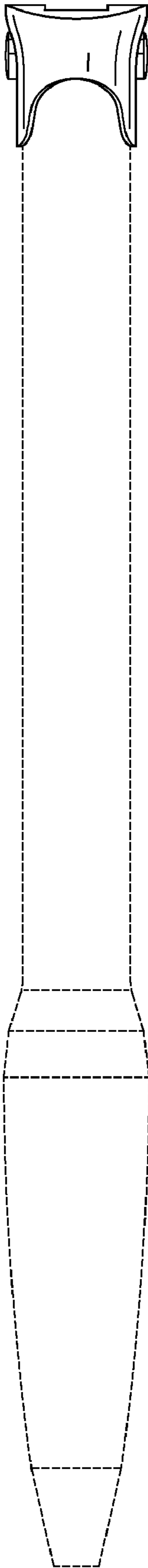


FIG. 4

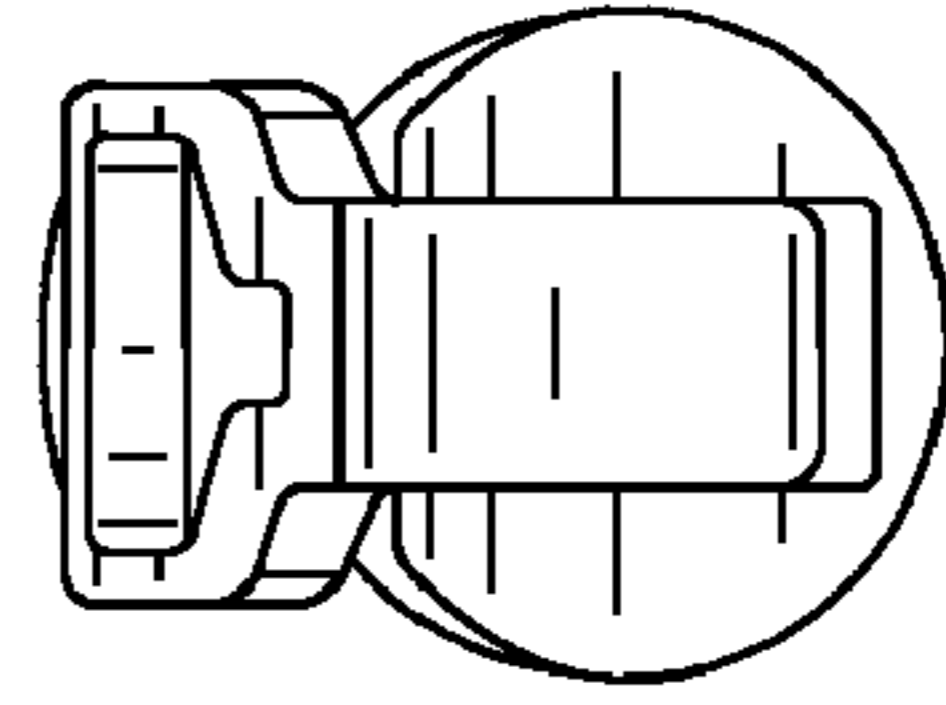


FIG. 5

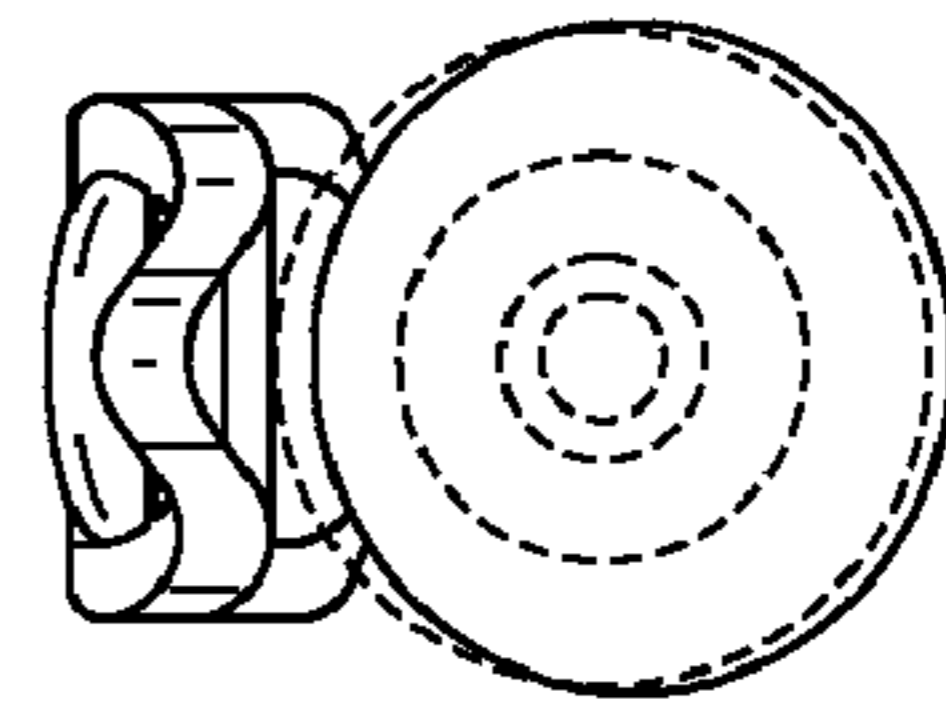


FIG. 6