



US00D564019S

(12) **United States Design Patent**
Matsuzawa

(10) **Patent No.:** **US D564,019 S**
(45) **Date of Patent:** **** Mar. 11, 2008**

(54) **ALBUM TO PRESERVE BABY TEETH**

(57) **CLAIM**

(76) Inventor: **Kazue Matsuzawa**, 6-10,
Nankodaihigashi 2-chome, Izumi-ku,
Sendai-shi, Miyagi (JP) 980-0802

I claim the ornamental design for an album to preserve baby teeth, as shown and described.

(**) Term: **14 Years**

DESCRIPTION

(21) Appl. No.: **29/262,506**

(22) Filed: **Jul. 5, 2006**

(30) **Foreign Application Priority Data**

Apr. 11, 2006 (JP) 2006-009328

(51) **LOC (8) Cl.** **19-04**

(52) **U.S. Cl.** **D19/26**

(58) **Field of Classification Search** D19/26,
D19/34, 86; D3/303, 900; 40/530, 536-537;
206/450, 472; 281/2, 3.1, 15.1, 19.1, 21.1,
281/22, 29, 31, 38

See application file for complete search history.

FIG. 1 is a front view of an album to preserve baby teeth.

FIG. 2 is a back view thereof.

FIG. 3 is a left side view thereof.

FIG. 4 is a right side view thereof.

FIG. 5 is a plan view, with a bottom view being a mirror image thereof.

FIG. 6 is a front view with the cover opened thereof;

FIG. 7 is a back view with the cover opened thereof;

FIG. 8 is a left side view with the cover opened thereof;

FIG. 9 is a right side view with the cover opened thereof;

FIG. 10 is a plan view of the inside with the cover opened thereof; and

FIG. 11 is a bottom view of the outside with the cover opened thereof;

FIG. 12 is a sectional view along line 12-12 with the cover opened thereof;

FIG. 13 is a sectional view along line 13-13 with the cover opened thereof;

FIG. 14 is a plan view of the case to preserve baby teeth on the upper side of the inner face of the cover thereof; and,

FIG. 15 is a sectional view along lines C-D-E-F-G-H-I-J.

(56) **References Cited**

U.S. PATENT DOCUMENTS

4,838,724 A * 6/1989 Spence, Jr. 402/79
D446,810 S * 8/2001 Faulstich D19/27
D522,055 S * 5/2006 Crippen D19/27
D524,862 S * 7/2006 Arceneaux D19/26
D539,843 S * 4/2007 Baker et al. D19/26

* cited by examiner

Primary Examiner—Elizabeth A. Albert

Assistant Examiner—Kelley A. Donnelly

(74) *Attorney, Agent, or Firm*—Oliff & Berridge, PLC

1 Claim, 8 Drawing Sheets

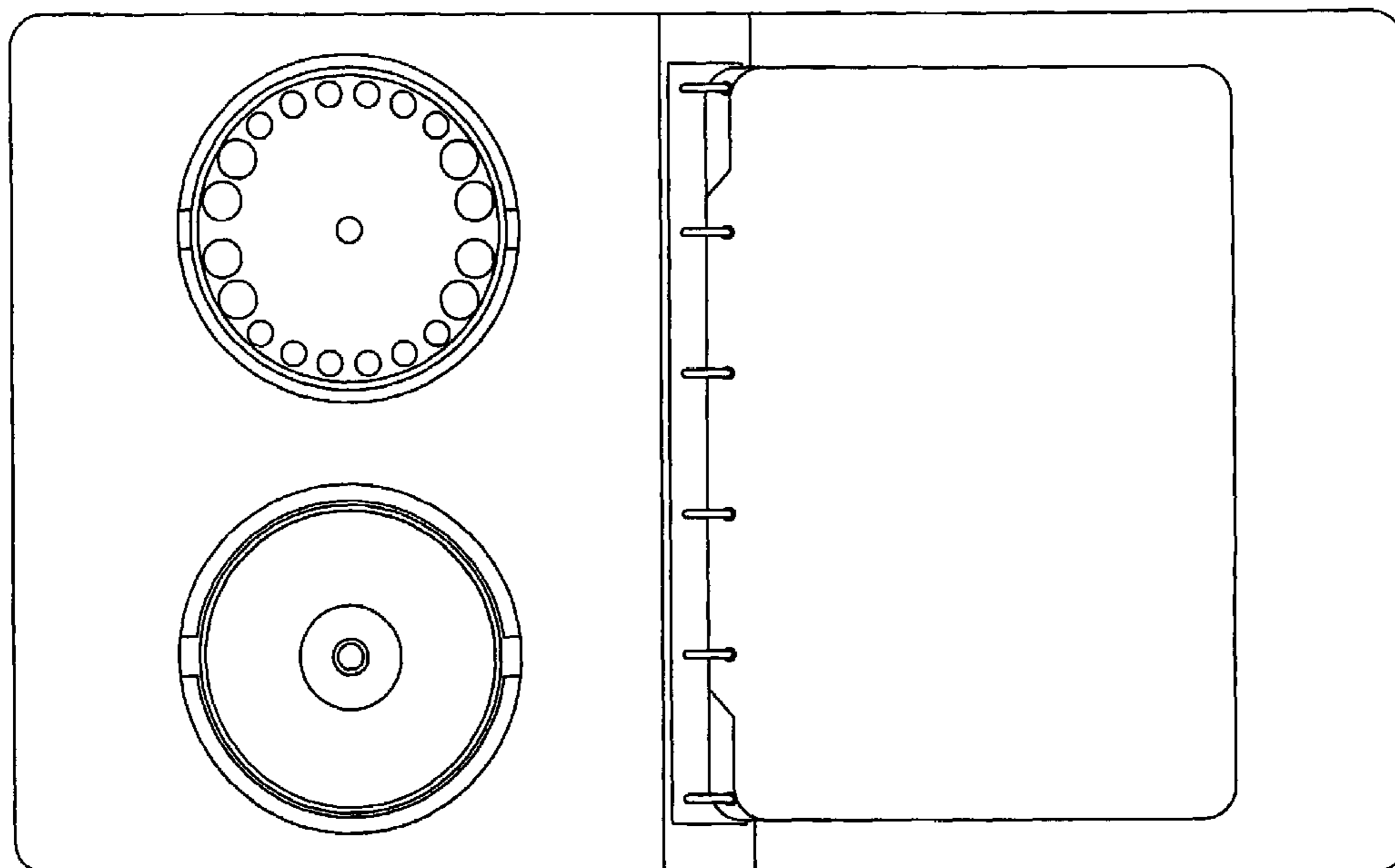


FIG. 1

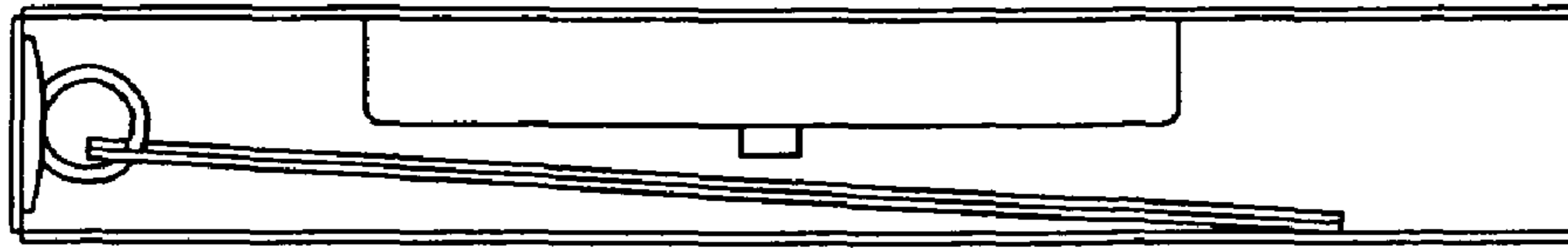


FIG. 2

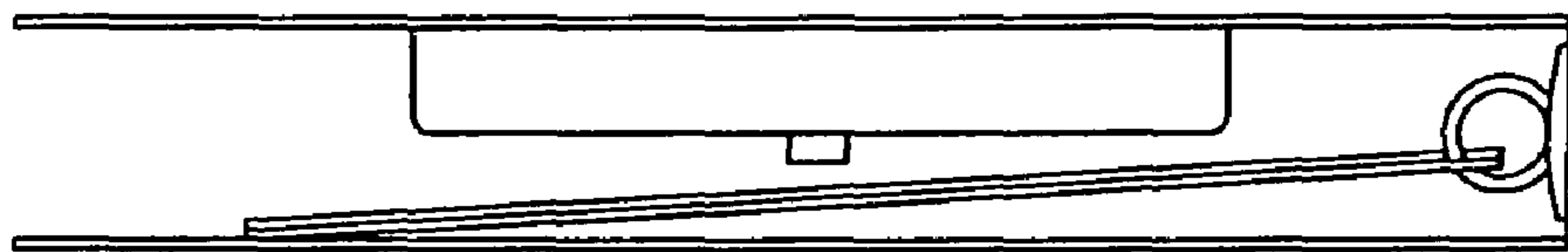


FIG. 3

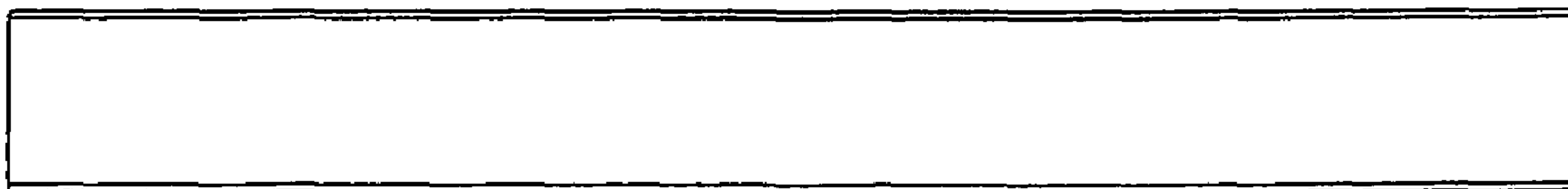


FIG. 4

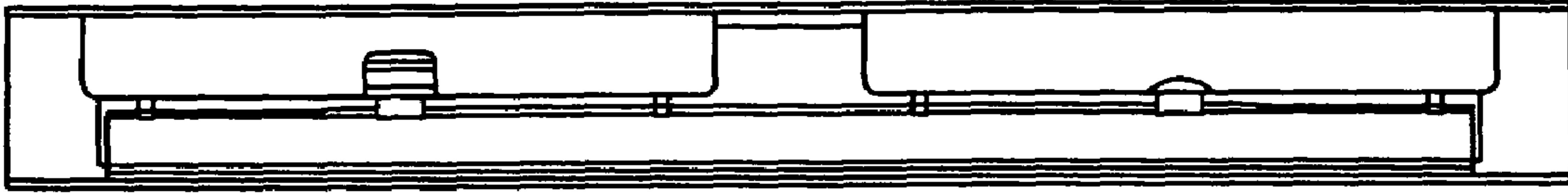


FIG. 5

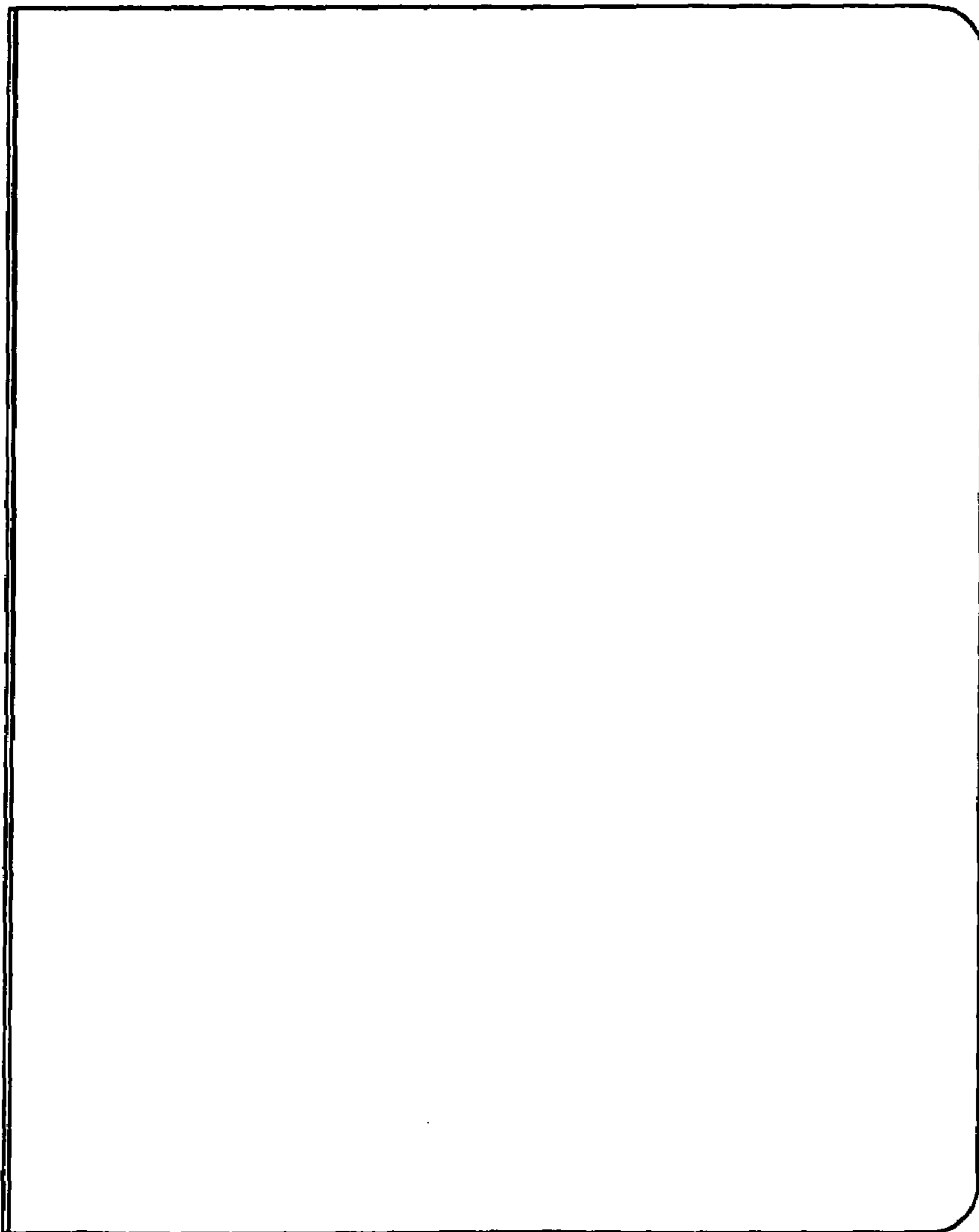


FIG. 6

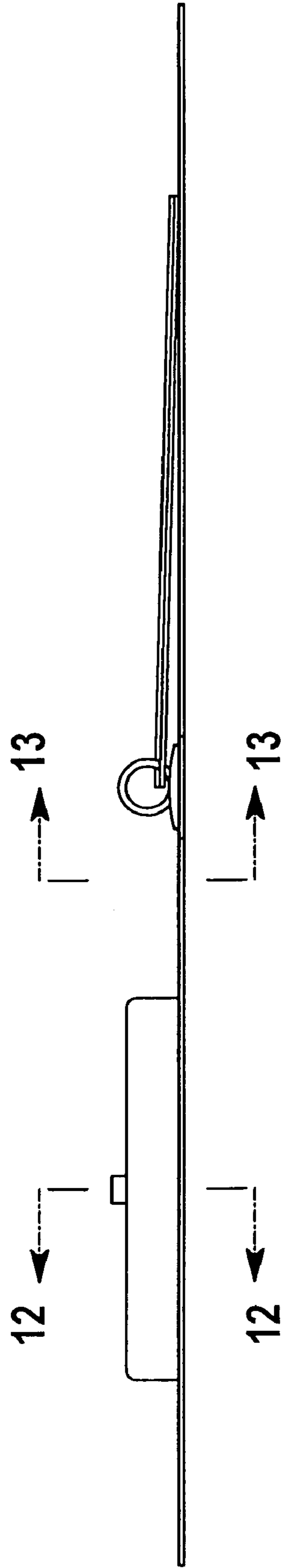


FIG. 7



FIG. 8

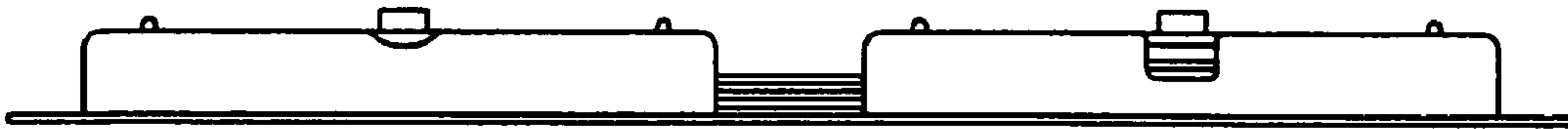


FIG. 9



FIG. 10

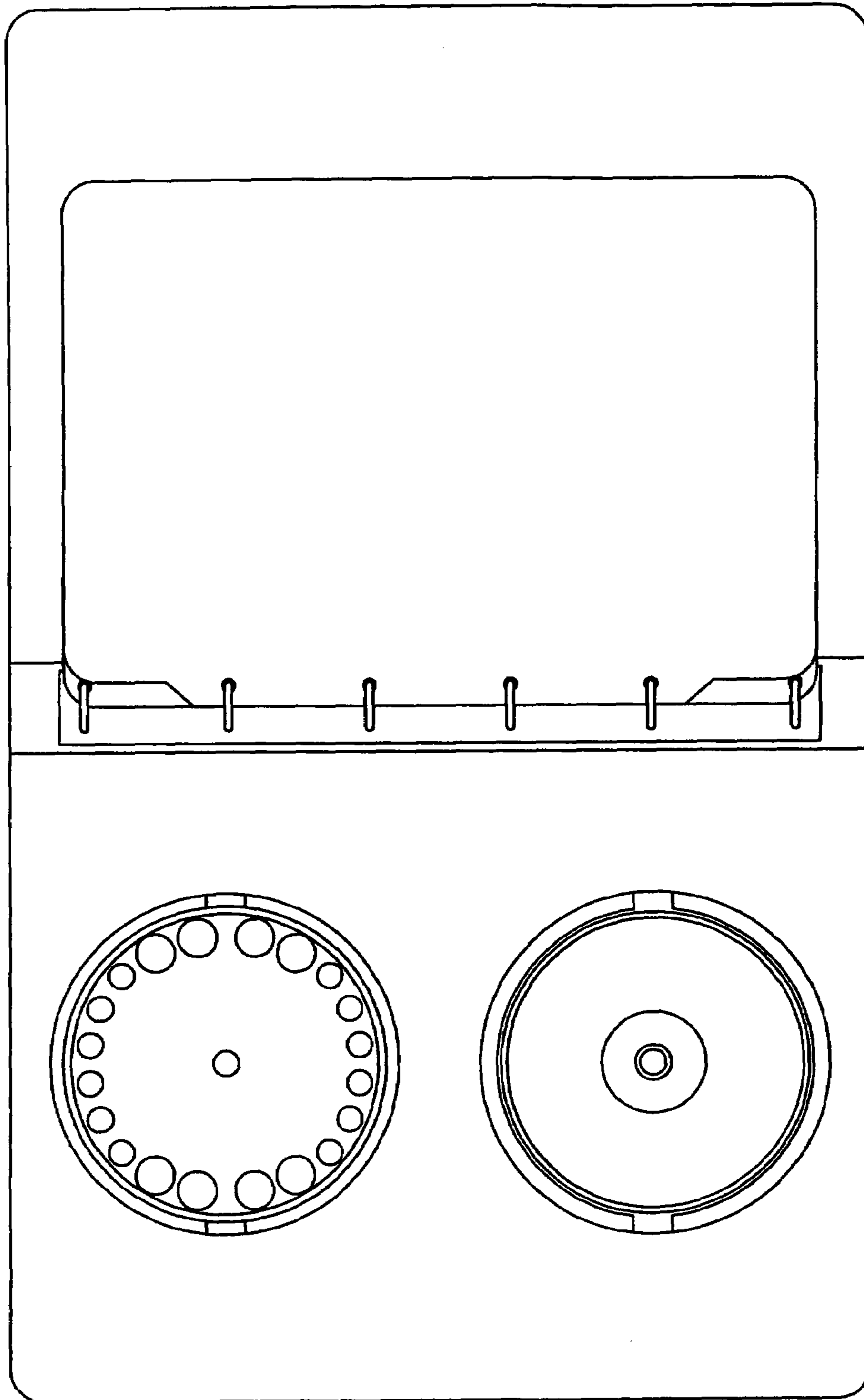


FIG. 11

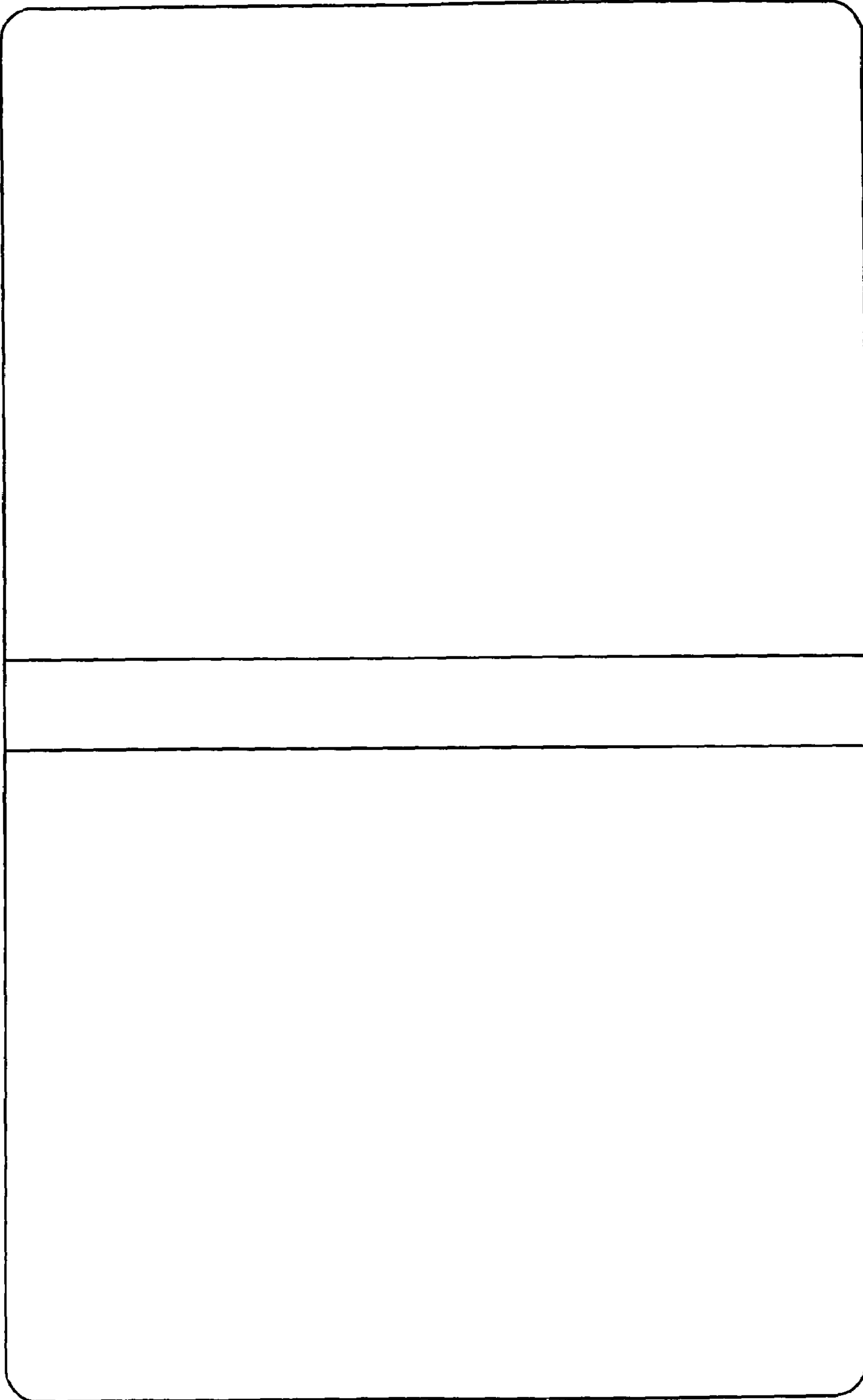


FIG. 12



FIG. 13



FIG. 14

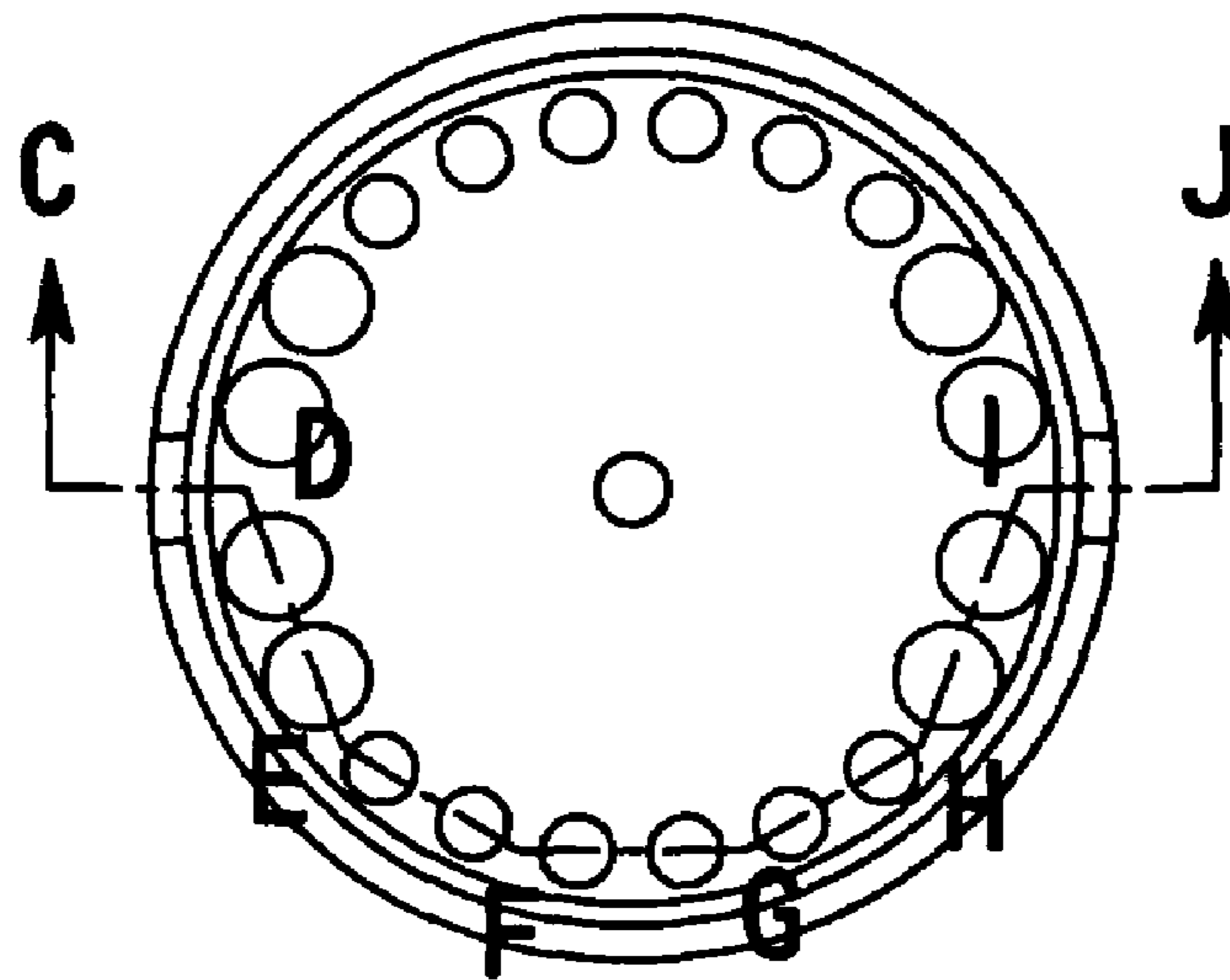


FIG. 15

