



US00D564018S

(12) **United States Design Patent**  
**Ishii et al.**

(10) **Patent No.:** **US D564,018 S**  
(45) **Date of Patent:** **\*\* \*Mar. 11, 2008**

(54) **DOCUMENT FEEDER FOR ELECTRONIC  
COPYING MACHINE**

JP D1096427 1/2001

(75) Inventors: **Jun Ishii**, Tokyo (JP); **Hisaya Ishio**,  
Toda (JP); **Hitoshi Kato**, Tokyo (JP)

\* cited by examiner

(73) Assignee: **Toshiba Tec Kabushiki Kaisha**, Tokyo  
(JP)

*Primary Examiner*—Robert M. Spear  
*Assistant Examiner*—Garth Rademaker  
(74) *Attorney, Agent, or Firm*—Frommer Lawrence & Haug  
LLP

(\*\*) Term: **14 Years**

(21) Appl. No.: **29/237,885**

(57) **CLAIM**

(22) Filed: **Sep. 8, 2005**

The ornamental design for a document feeder for electronic copying machine, as shown.

(30) **Foreign Application Priority Data**

Mar. 9, 2005 (JP) ..... 2005-007031

**DESCRIPTION**

(51) **LOC (8) Cl.** ..... **18-99**

(52) **U.S. Cl.** ..... **D18/49**

(58) **Field of Classification Search** ..... D18/36-41,  
D18/44-55; 222/DIG. 1; 271/3.14, 8.1,  
271/226, 278; 355/97, 99; 358/1.1; 399/1-7,  
399/16, 75, 81, 107, 130, 151, 361, 365,  
399/367, 381-383, 388

Mention is made of Japanese Design Application No. 2005-007034, filed Mar. 9, 2005, for which a U.S. counterpart application is being filed concurrently with this application, incorporated herein by reference.

See application file for complete search history.

FIG. 1 is a perspective view of a document feeder for electronic copying machine showing our new design;

FIG. 2 is a front plan view thereof;

FIG. 3 is a top plan view thereof;

FIG. 4 is a right side elevational view thereof;

FIG. 5 is a left side elevational view thereof;

FIG. 6 is a rear elevational view thereof;

FIG. 7 is a bottom plan view thereof; and,

FIG. 8 is a cross-sectional view taken along line 8-8, omitting the internal structure.

(56) **References Cited**

**U.S. PATENT DOCUMENTS**

D384,693 S \* 10/1997 Kenmochi et al. .... D18/49  
D435,858 S \* 1/2001 Hatanaka et al. .... D18/39  
D447,765 S \* 9/2001 Hatanaka et al. .... D18/39  
D537,866 S \* 3/2007 Matsuda et al. .... D18/39  
2002/0008347 A1 \* 1/2002 Takida et al. .... 271/3.14

**FOREIGN PATENT DOCUMENTS**

JP D1096425 1/2001

**1 Claim, 4 Drawing Sheets**

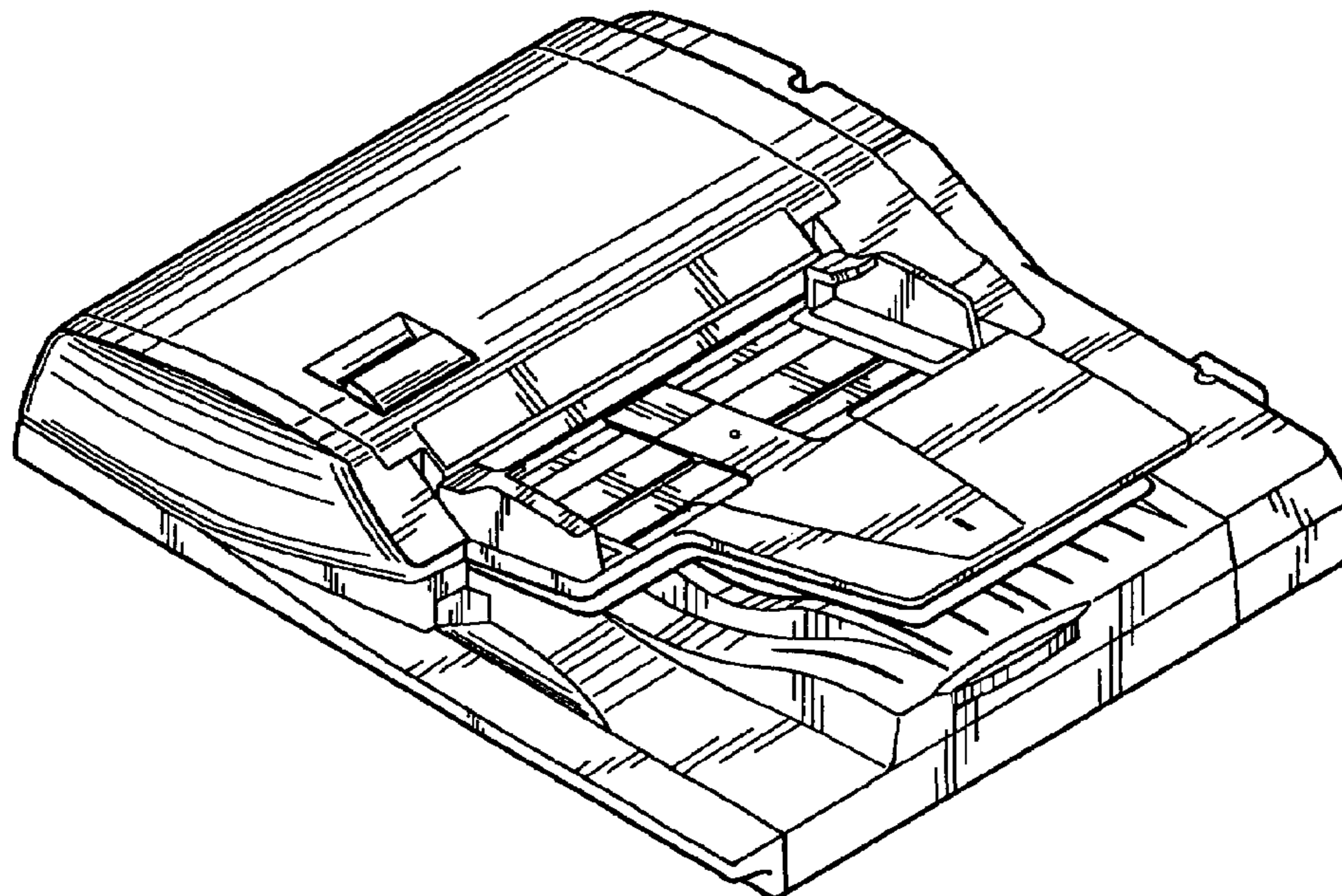


FIG.1

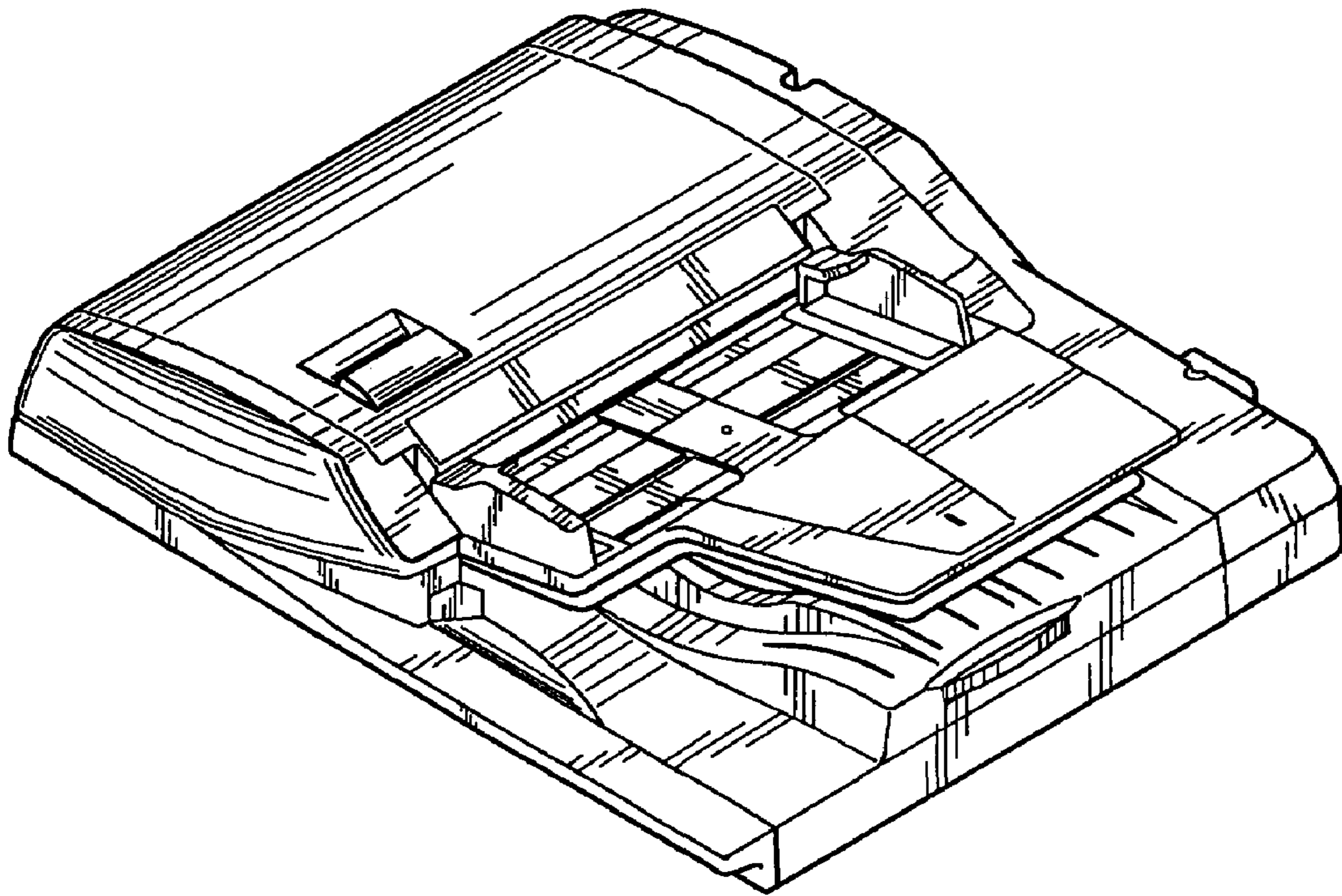


FIG.2

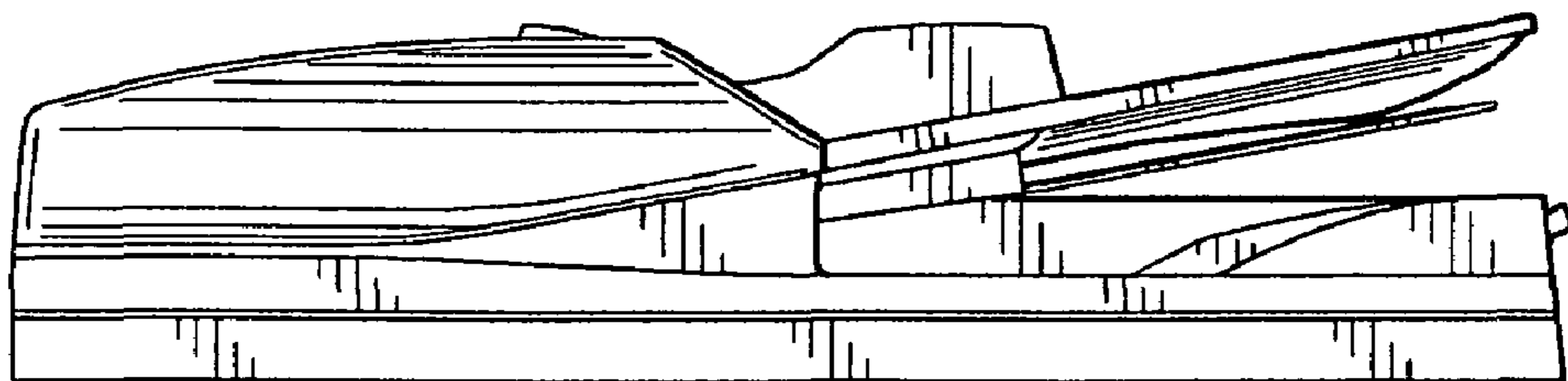


FIG.3

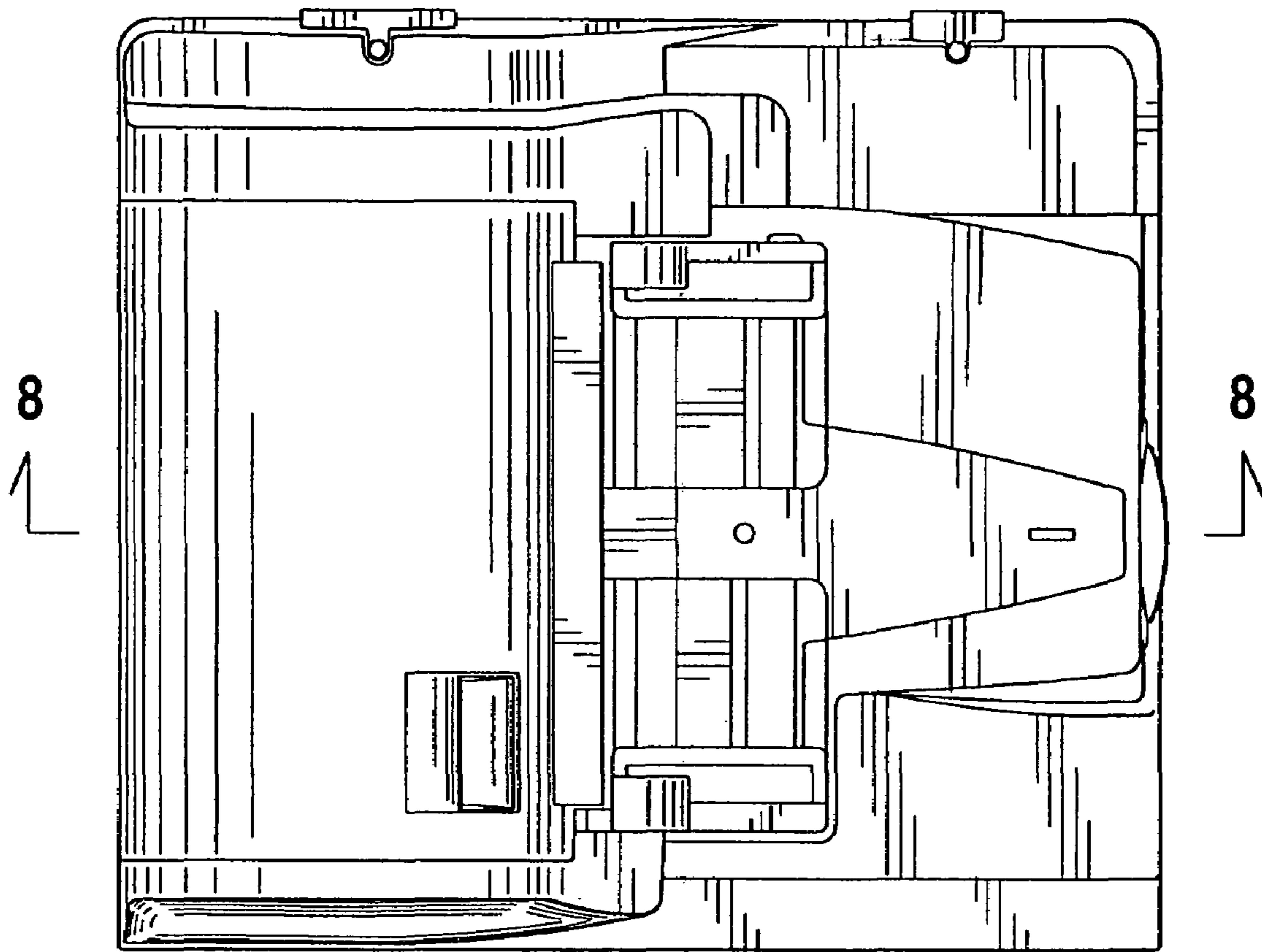


FIG.4

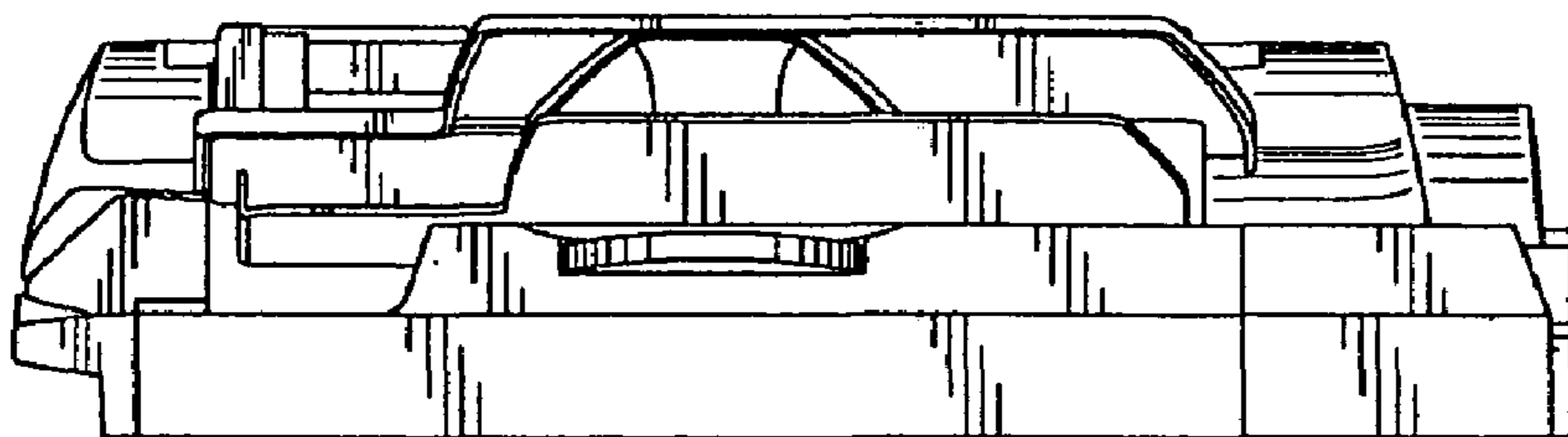


FIG.5

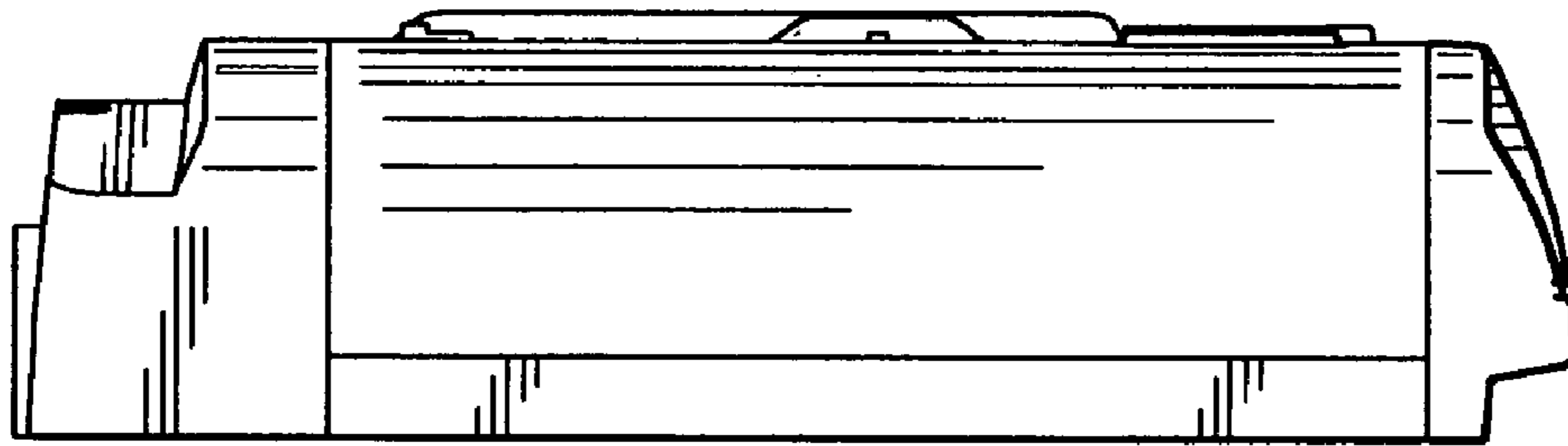


FIG.6

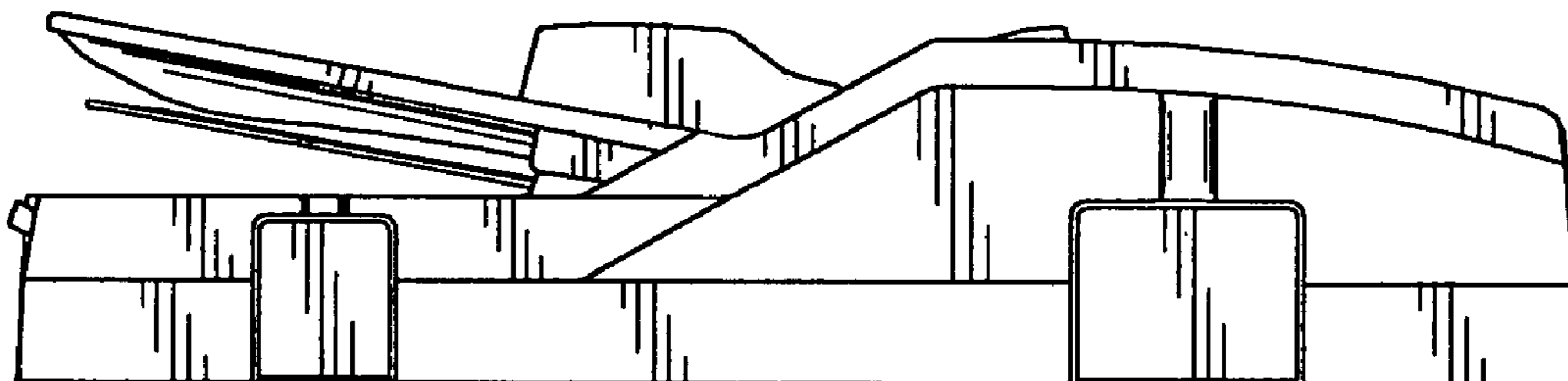


FIG.7

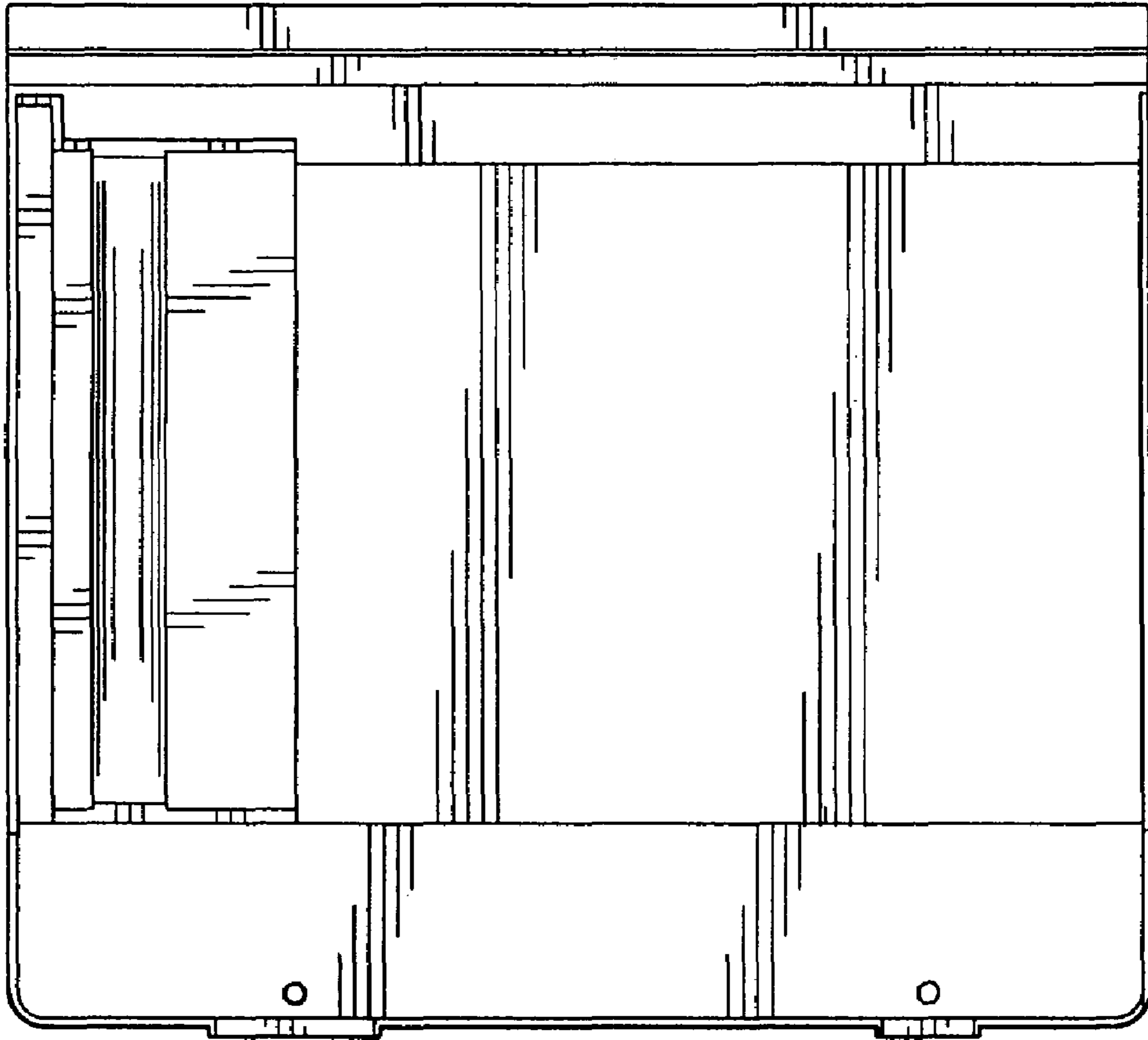


FIG.8

